



US00D336334S

United States Patent [19]
Bhitiyakul

[11] **Patent Number: Des. 336,334**
[45] **Date of Patent: ** Jun. 8, 1993**

[54] **MEDICAL CONNECTOR**
[76] **Inventor: Somsak Bhitiyakul, 31 Oakwood Dr., R.D. 9, Kingston, N.Y. 12401**
[**] **Term: 14 Years**
[21] **Appl. No.: 403,158**
[22] **Filed: Oct. 23, 1989**
[52] **U.S. Cl. D24/129**
[58] **Field of Search D24/129, 112, 108; 604/905, 164, 284, 264**

5,021,044 6/1991 Sharkawy 604/164 X

Primary Examiner—Alan P. Douglas
Assistant Examiner—M. N. Panduzzi
Attorney, Agent, or Firm—Abdallah & Muckelroy

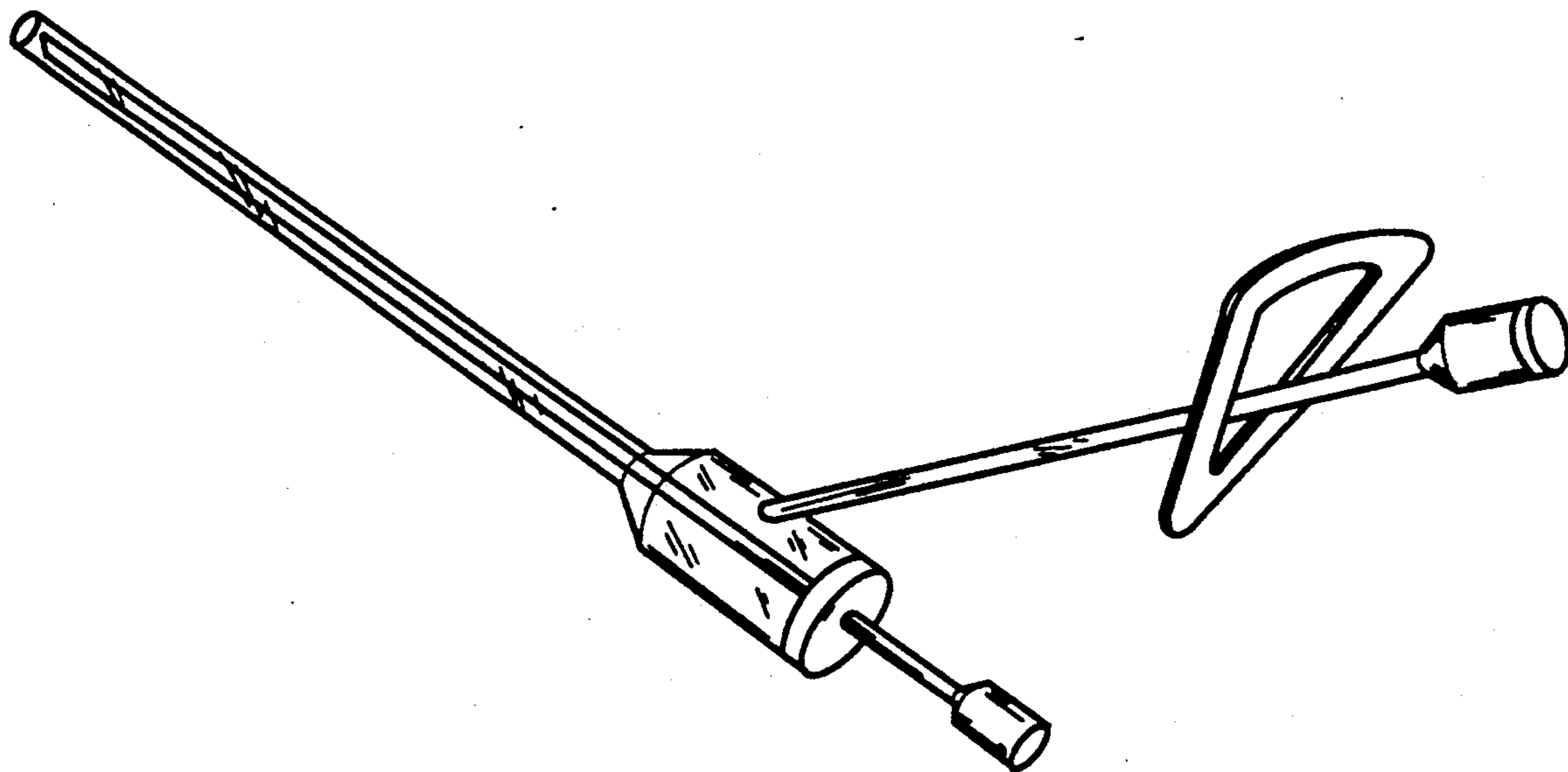
[57] **CLAIM**

The ornamental design for a medical connector, as shown and described.

DESCRIPTION

FIG. 1 is a perspective view of a medical connector showing my new design;
FIG. 2 is a perspective view thereof from the opposite end from that shown in FIG. 1;
FIG. 3 is a side elevational view thereof, the opposite side elevational view being a mirror image of that shown in FIG. 3;
FIG. 4 is a front end elevational view thereof;
FIG. 5 is a rear end elevational view thereof;
FIG. 6 is a top plan view thereof; and,
FIG. 7 is a bottom plan view thereof.

[56] **References Cited**
U.S. PATENT DOCUMENTS
D. 267,199 12/1982 Koenig D24/129
3,406,685 10/1968 May D24/112 X
4,257,416 3/1981 Prager 604/250 X
4,560,378 12/1985 Welland D24/129 X
4,626,245 12/1986 Weinstein 604/256 X
4,950,260 8/1990 Bonaldo 604/905 X



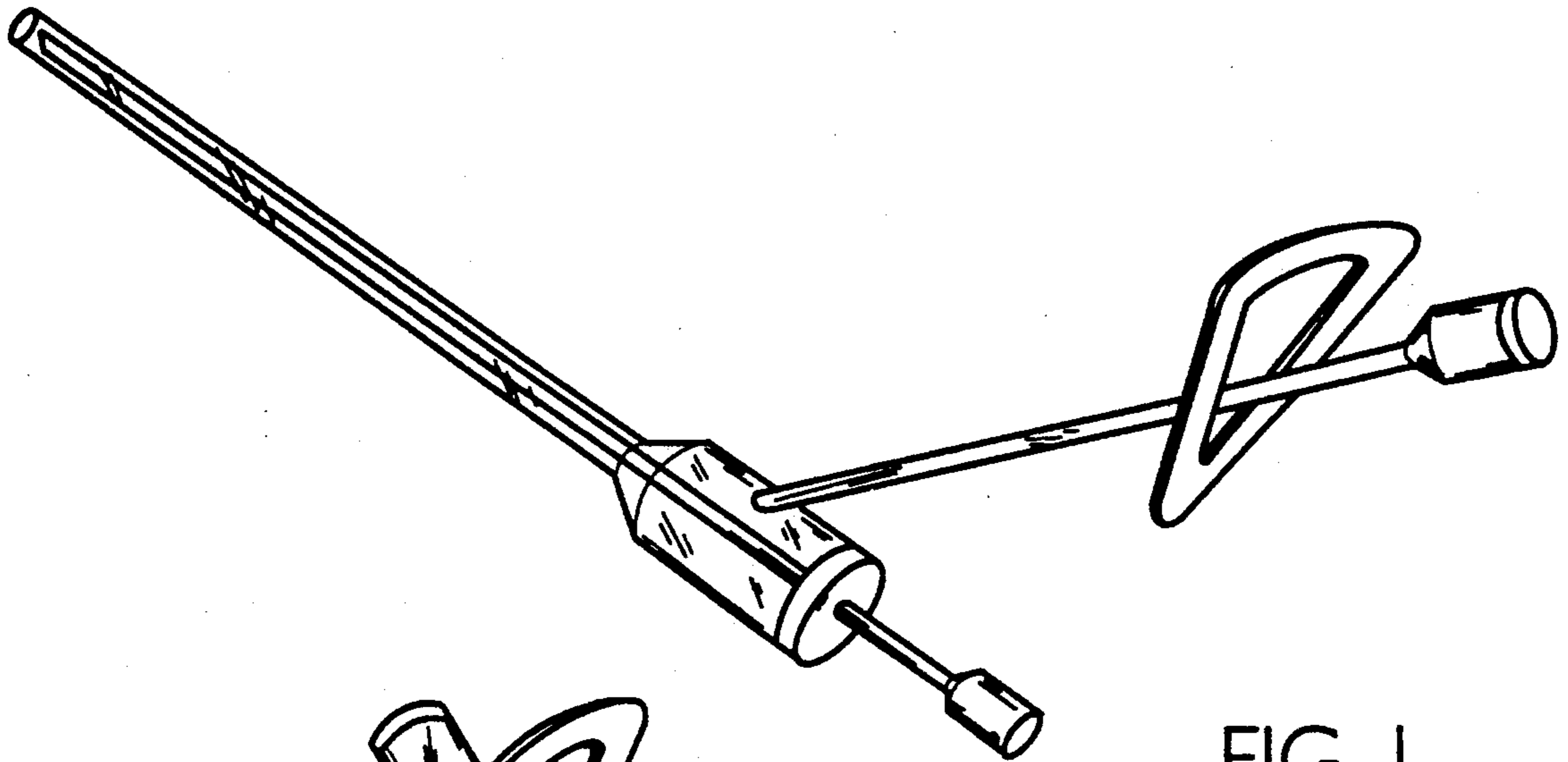


FIG. 1

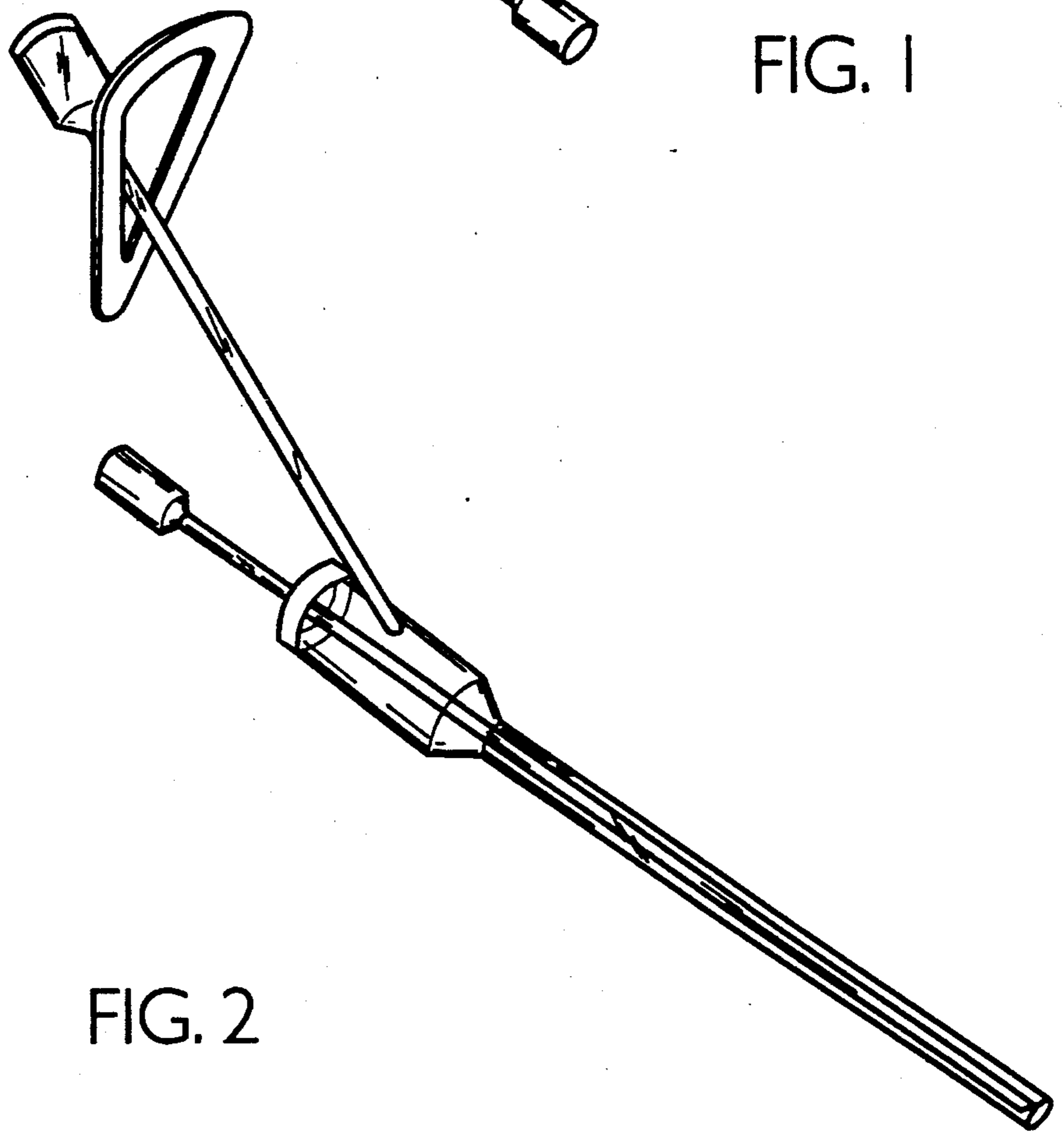


FIG. 2

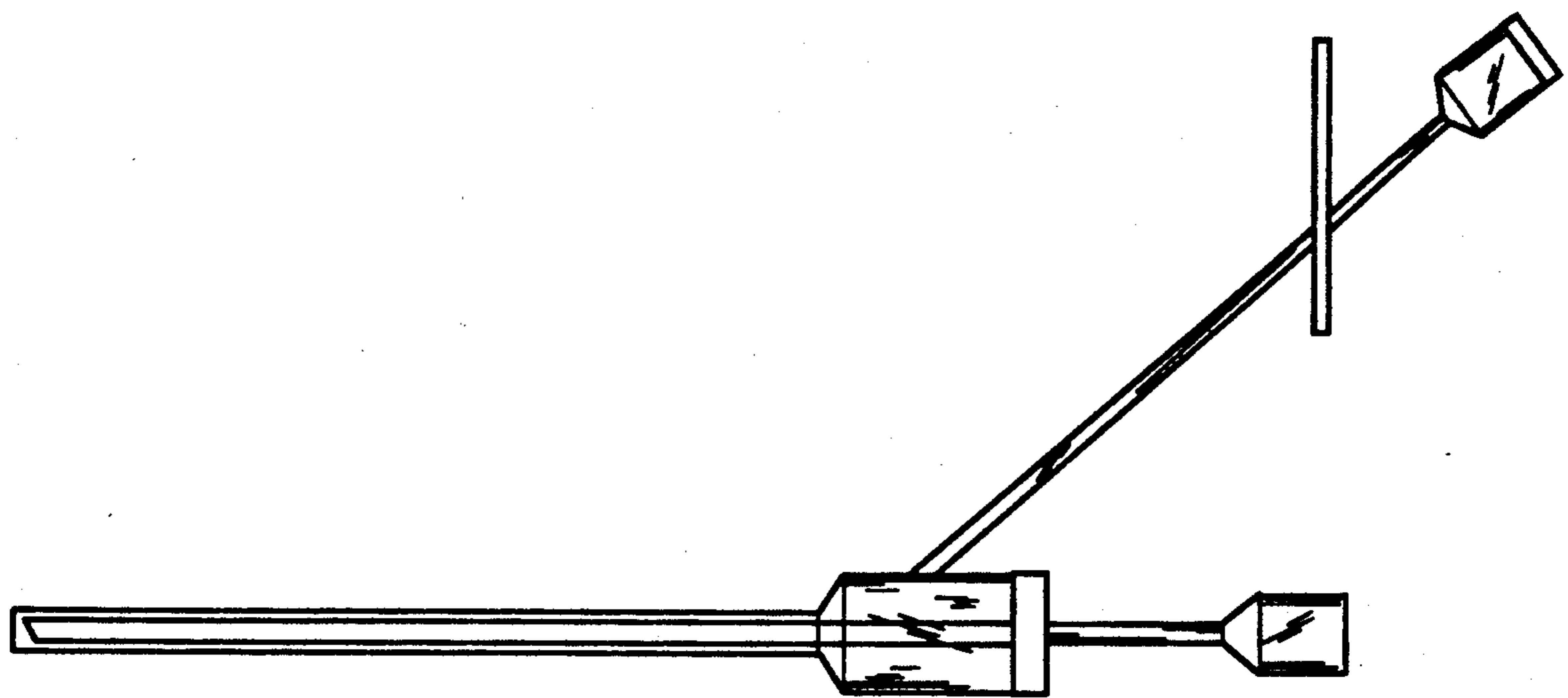


FIG. 3

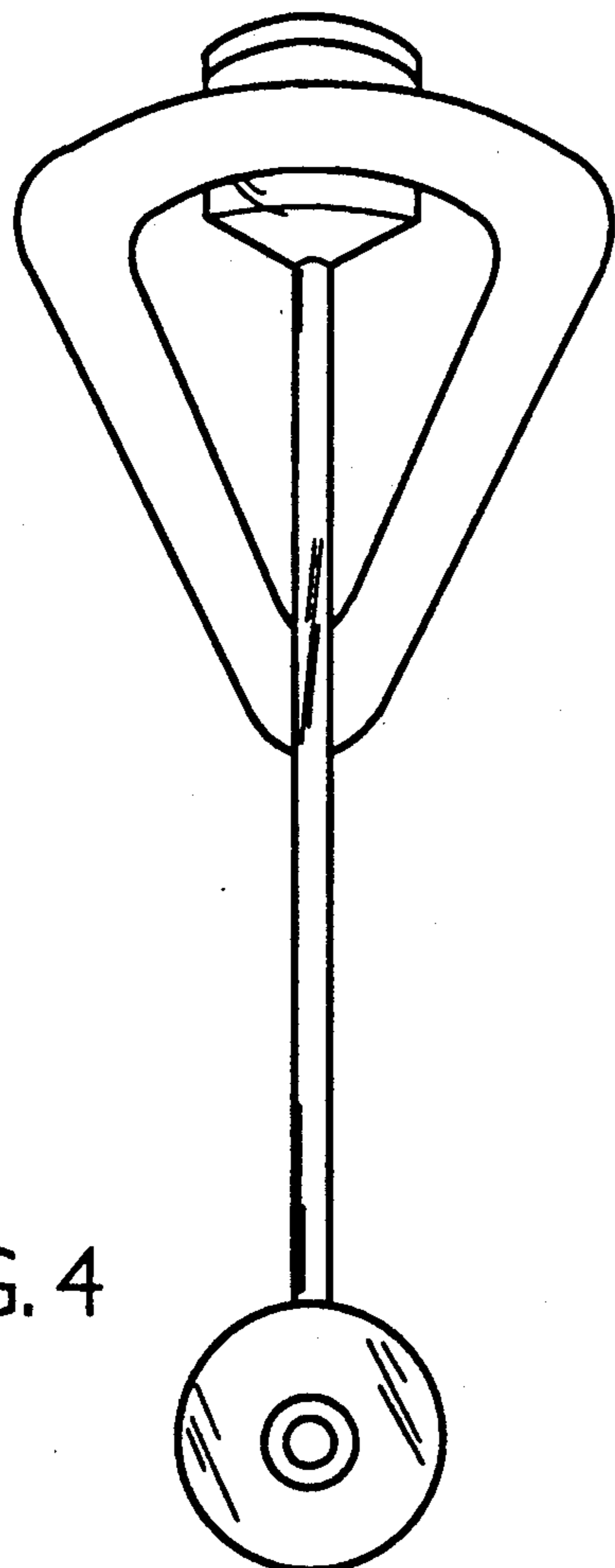


FIG. 4

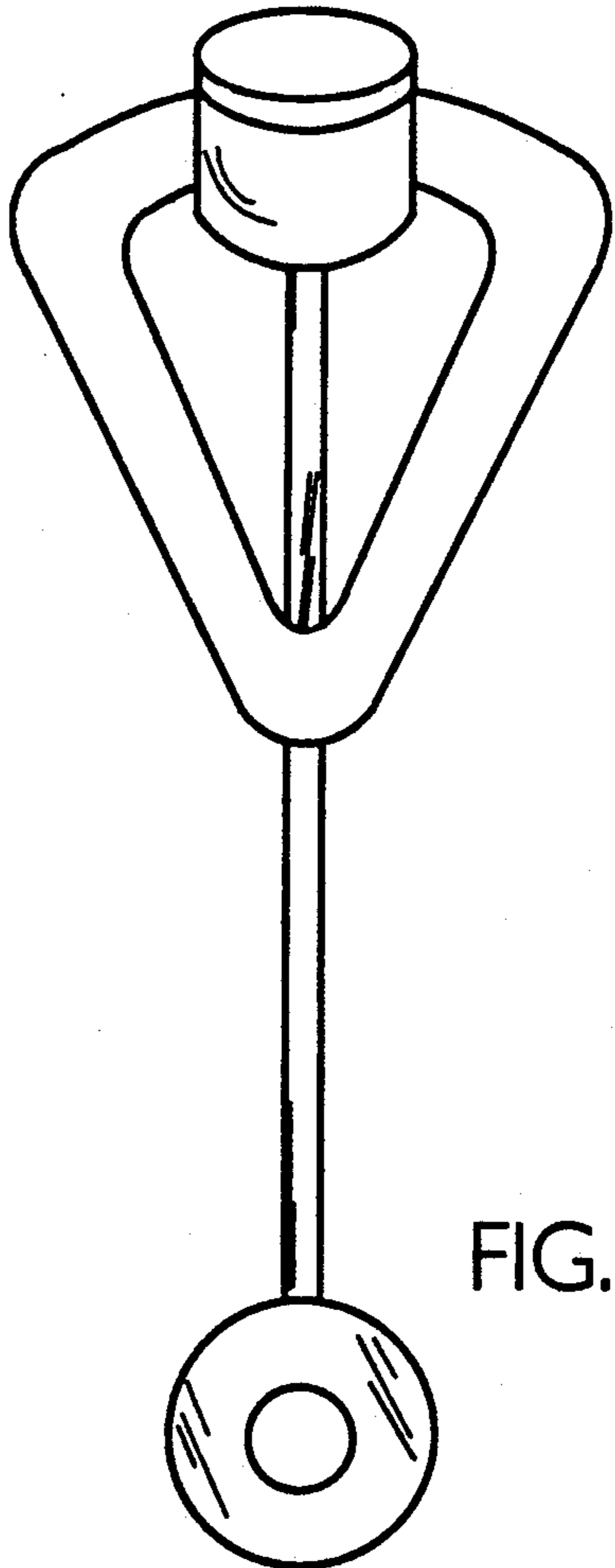


FIG. 5

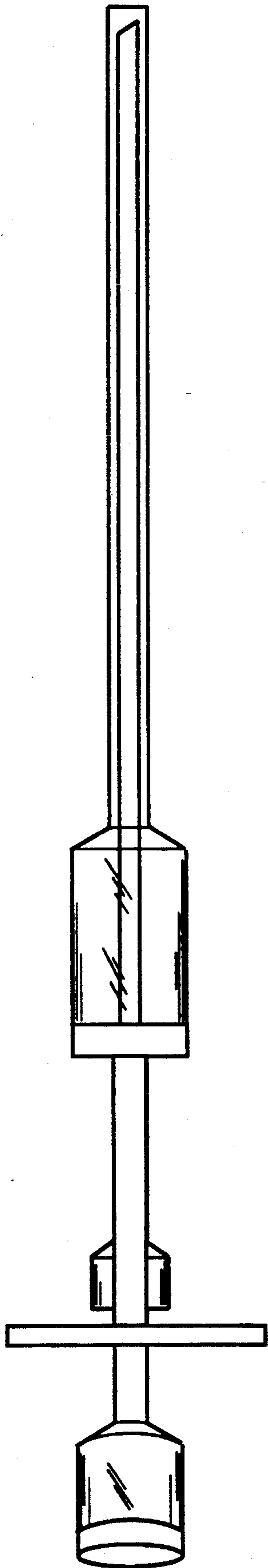


FIG. 6

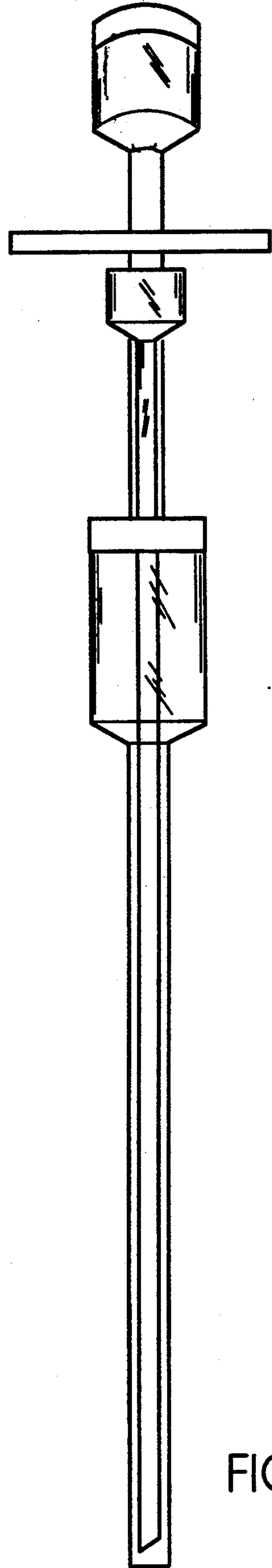


FIG. 7