



US00D336333S

United States Patent [19]

[11] Patent Number: **Des. 336,333**

Cook

[45] Date of Patent: **** Jun. 8, 1993**

[54] OFFICE FAN

[75] Inventor: **Robynn M. Cook, Long Beach, Calif.**

[73] Assignee: **Tatung Company of America, Inc., Long Beach, Calif.**

[**] Term: **14 Years**

[21] Appl. No.: **866,526**

[22] Filed: **Apr. 9, 1992**

[52] U.S. Cl. **D23/378**

[58] Field of Search **D23/378, 370, 382, 335, D23/336, 337; 416/246; 248/125, 676, 346**

[56] References Cited

U.S. PATENT DOCUMENTS

- D. 169,007 3/1953 Lindberg et al. D23/378
- D. 327,946 7/1992 Barré 328/D23

OTHER PUBLICATIONS

Hong Kong Enterprise Oct. 1990, p. 381, Fan KYTS2-88-30, top right side of page.

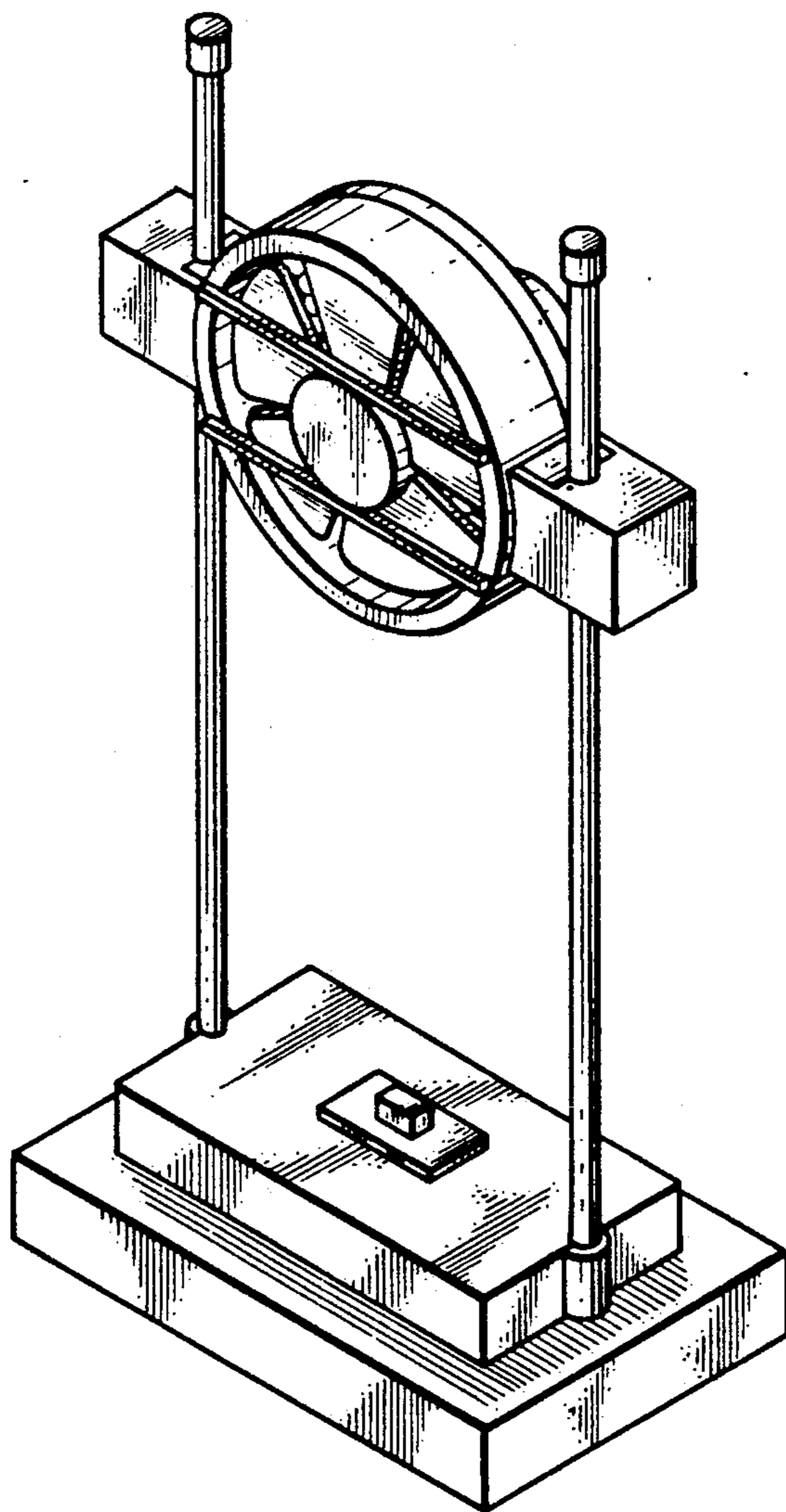
Primary Examiner—Wallace R. Burke
Assistant Examiner—Lisa Lichtenstein
Attorney, Agent, or Firm—Jack C. Munro

[57] CLAIM

The ornamental design for an office fan, as shown and described.

DESCRIPTION

FIG. 1 is a front, top and right side perspective view of an office fan showing my new design; FIG. 2 is a front elevational view thereof; FIG. 3 is a right side elevational thereof, the left side being a mirror image of that shown; FIG. 4 is a rear elevational view thereof; FIG. 5 is a top plan view thereof; and, FIG. 6 is a bottom plan view thereof.



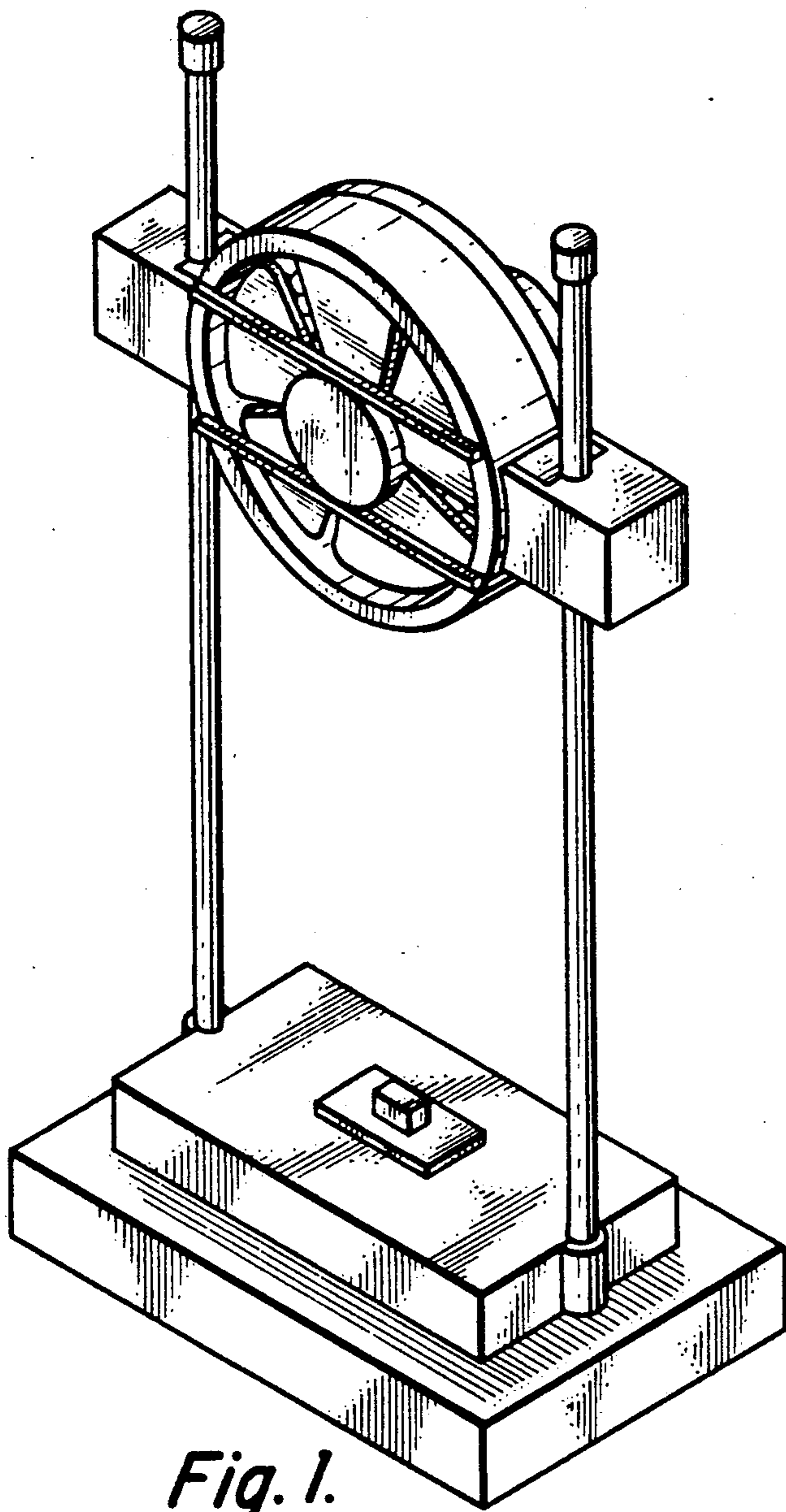


Fig. 1.

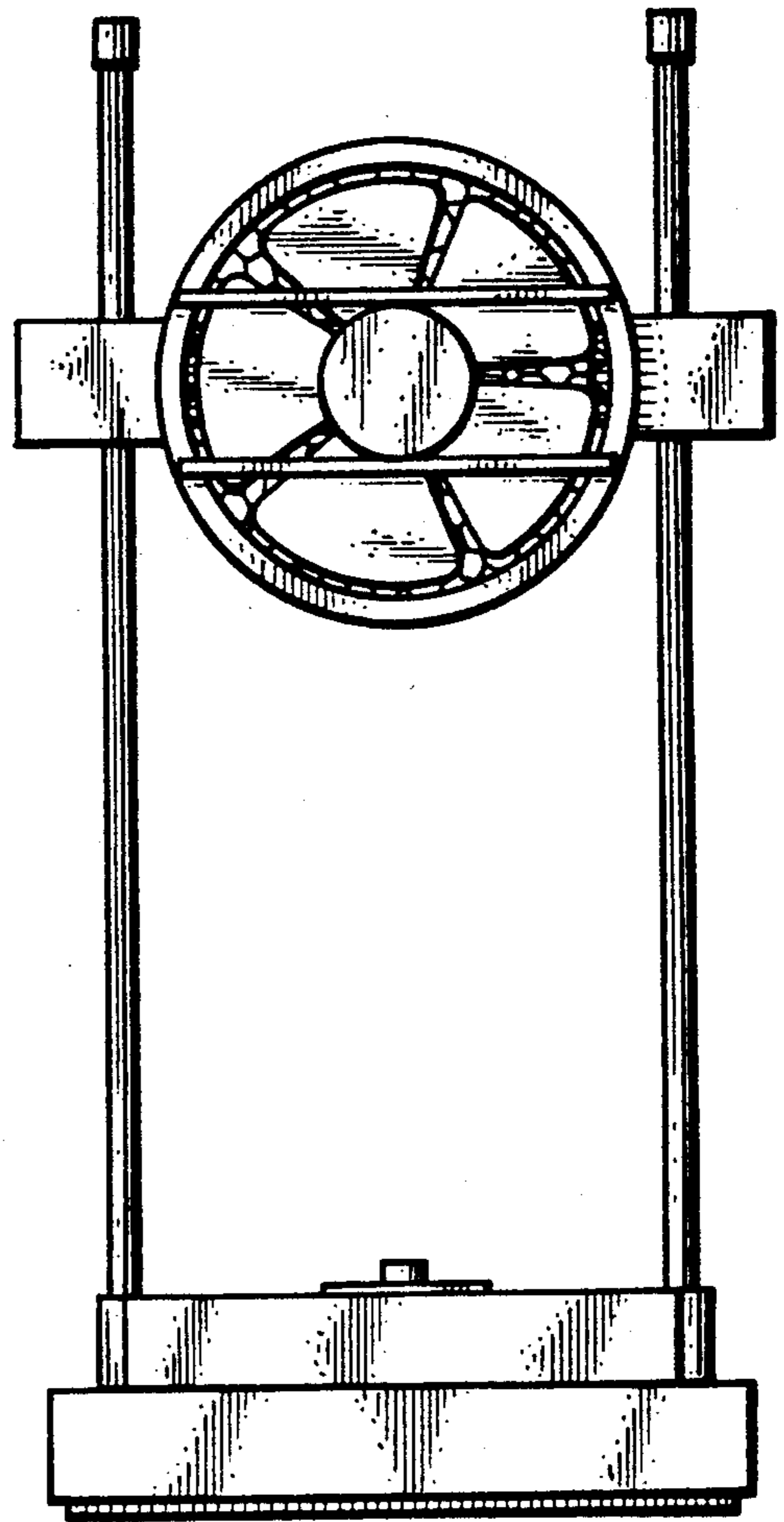


Fig. 2.

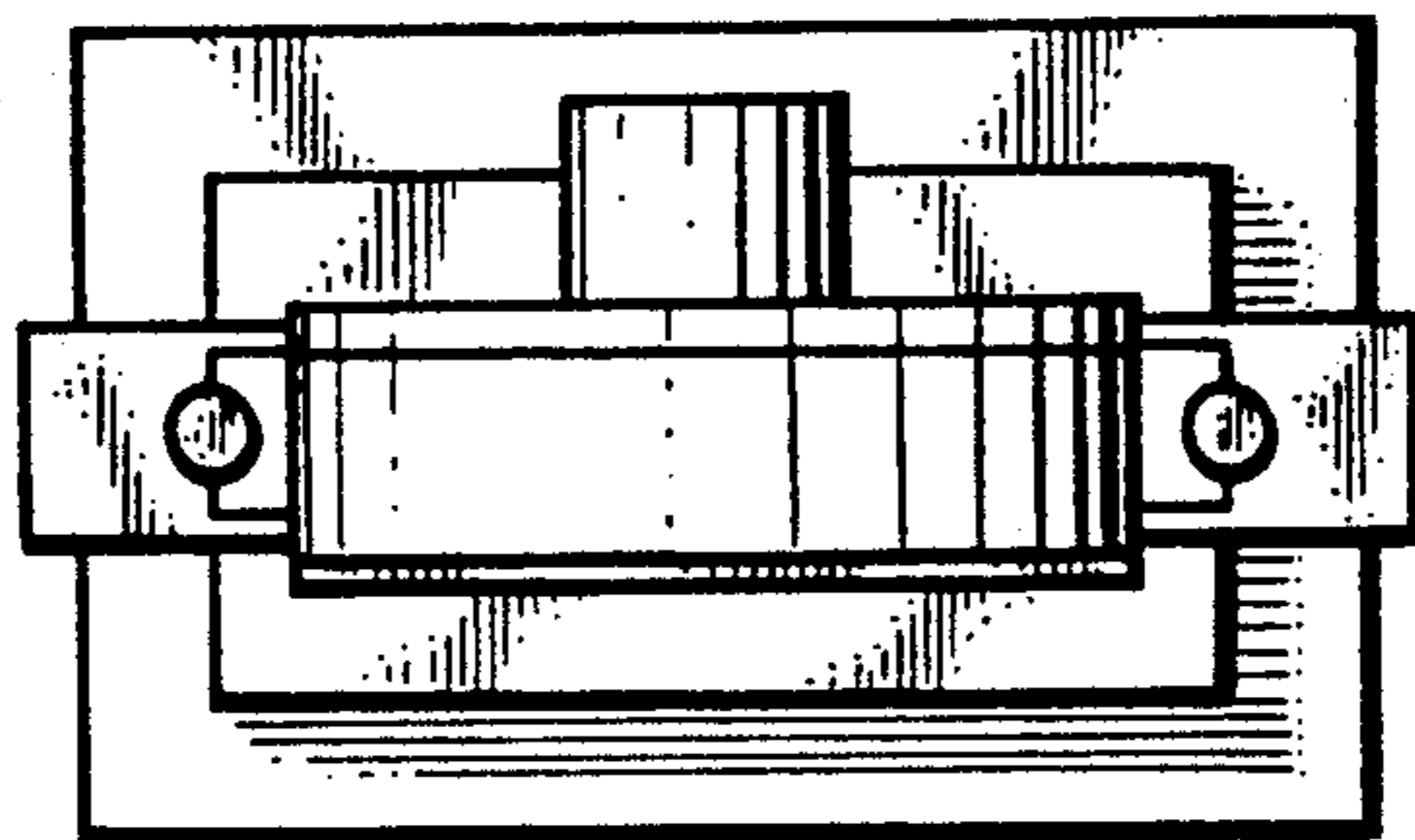


Fig. 5.

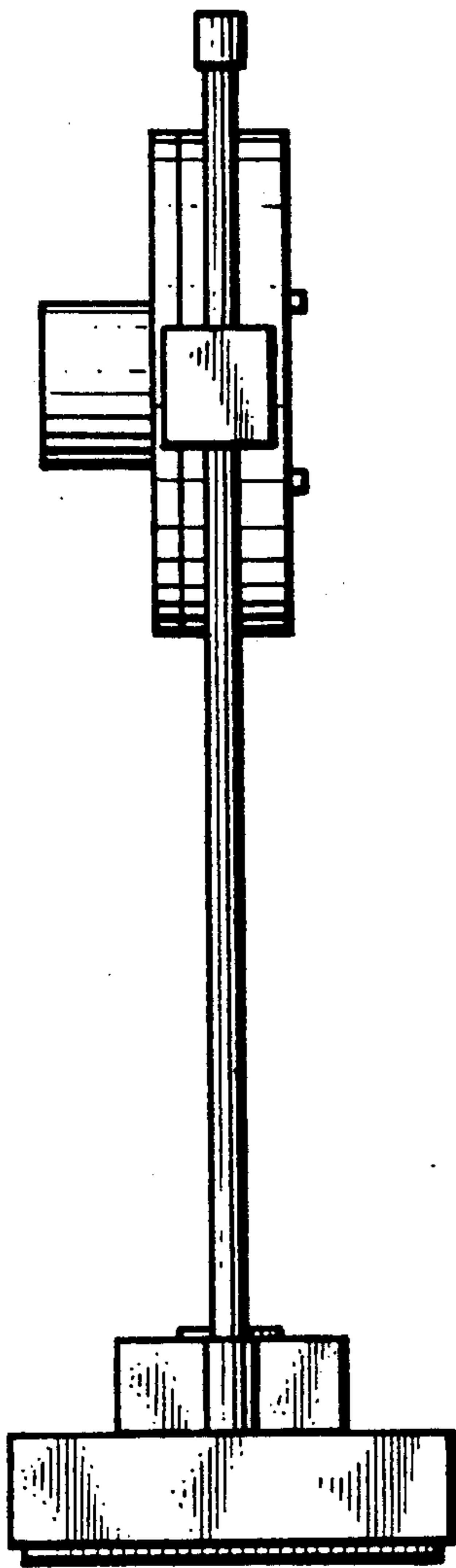


Fig. 3.

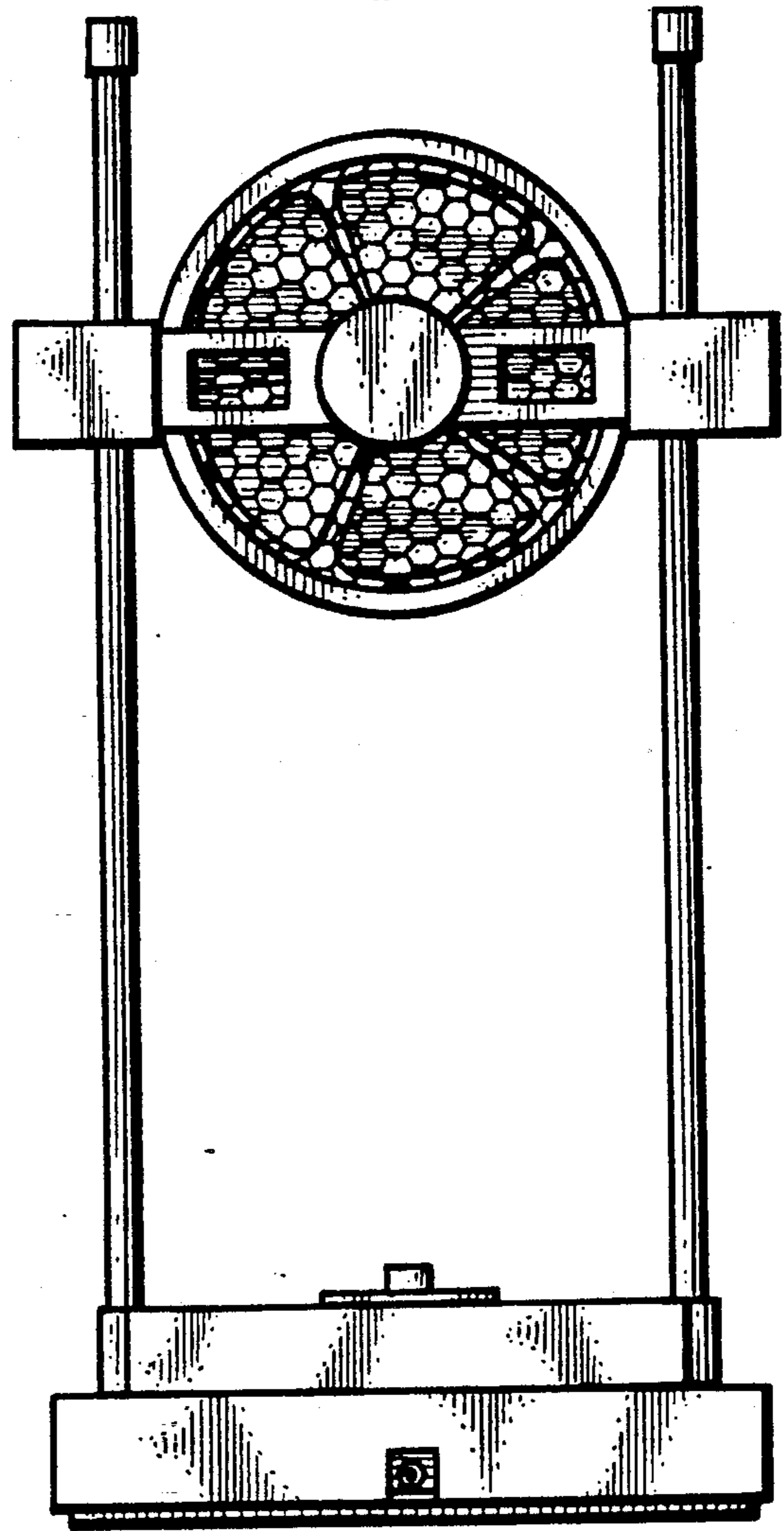


Fig. 4.

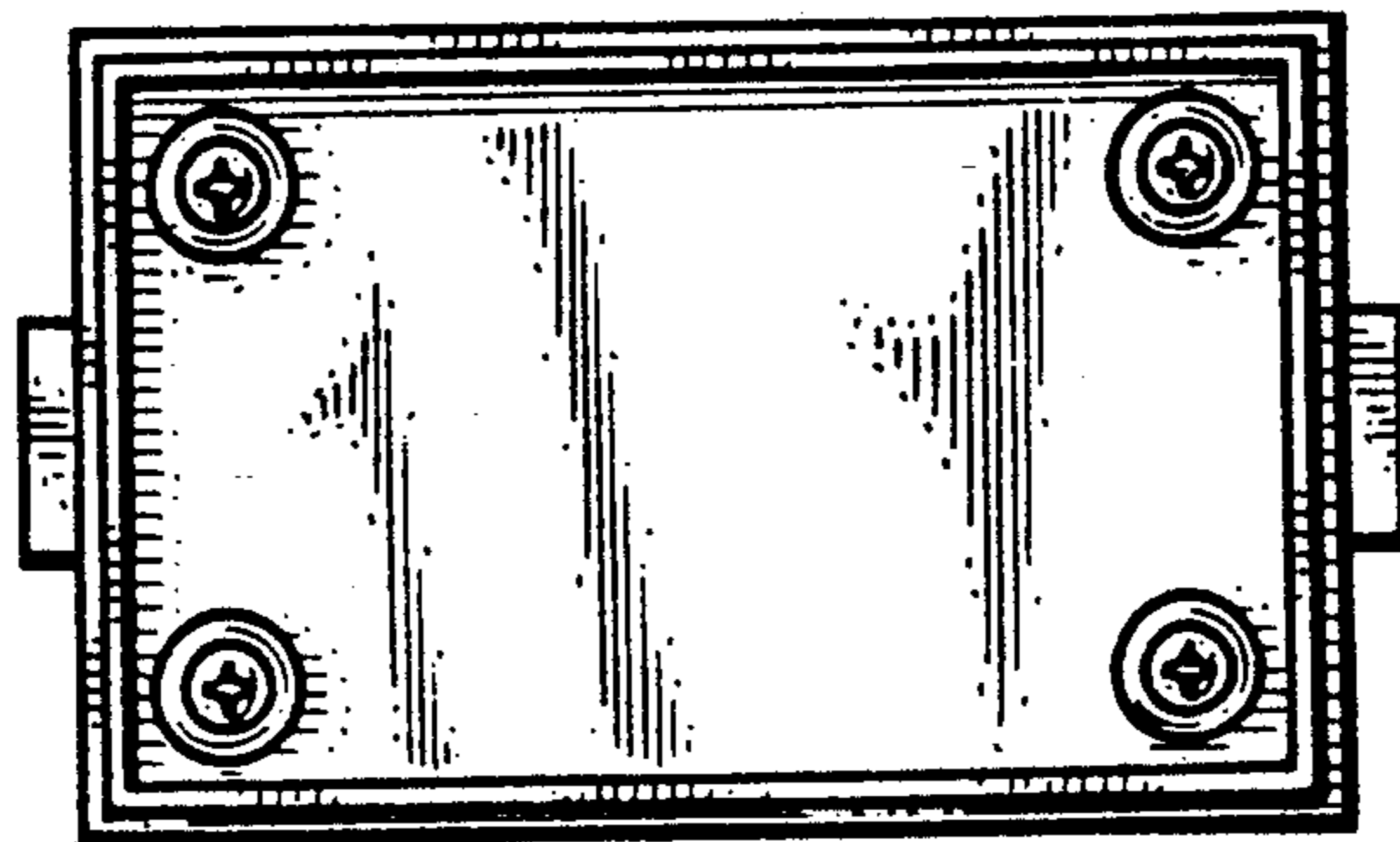


Fig. 6.