



US00D336329S

# United States Patent [19]

Gosselin et al.

[11] Patent Number: **Des. 336,329**

[45] Date of Patent: **\*\* Jun. 8, 1993**

[54] **SWIMMING POOL SURFACE CLEANER**

4,822,487 4/1989 Soich ..... 210/241 X  
4,879,028 11/1989 Gibson ..... 210/242.1 X

[76] Inventors: **Gary C. Gosselin; Barbara Gosselin,**  
both of 156 Glen Forest Dr.,  
Manchester, N.H. 03103

### FOREIGN PATENT DOCUMENTS

[\*\*] Term: **14 Years**

411026 5/1924 Fed. Rep. of Germany .  
651371 3/1928 France .

[21] Appl. No.: **668,456**

*Primary Examiner*—Wallace R. Burke  
*Assistant Examiner*—M. H. Tung  
*Attorney, Agent, or Firm*—Terry M. Gernstein

[22] Filed: **Mar. 12, 1991**

[52] U.S. Cl. .... **D23/207**

[58] Field of Search ..... 4/490, 510; 210/169,  
210/241, 241.1, 241.3, 232, 776, 923; D23/200,  
207; D32/15, 35; D8/59, 52, 56, 51, 60

### [57] CLAIM

The ornamental design for a swimming pool surface cleaner, as shown and described.

### [56] References Cited

#### U.S. PATENT DOCUMENTS

4,017,394 4/1977 Hensley ..... 210/242.1 X  
4,720,340 1/1988 O'Brien ..... 210/242.1 X  
4,734,189 3/1988 Page ..... 4/490  
4,743,368 5/1988 Gates ..... 4/490  
4,781,827 11/1988 Shields ..... 4/490  
4,789,470 12/1988 Wards ..... 210/242.1 X  
4,802,592 2/1989 Wessels ..... 4/490

### DESCRIPTION

FIG. 1 is a perspective view of the swimming pool surface cleaner embodying the design of the present invention;

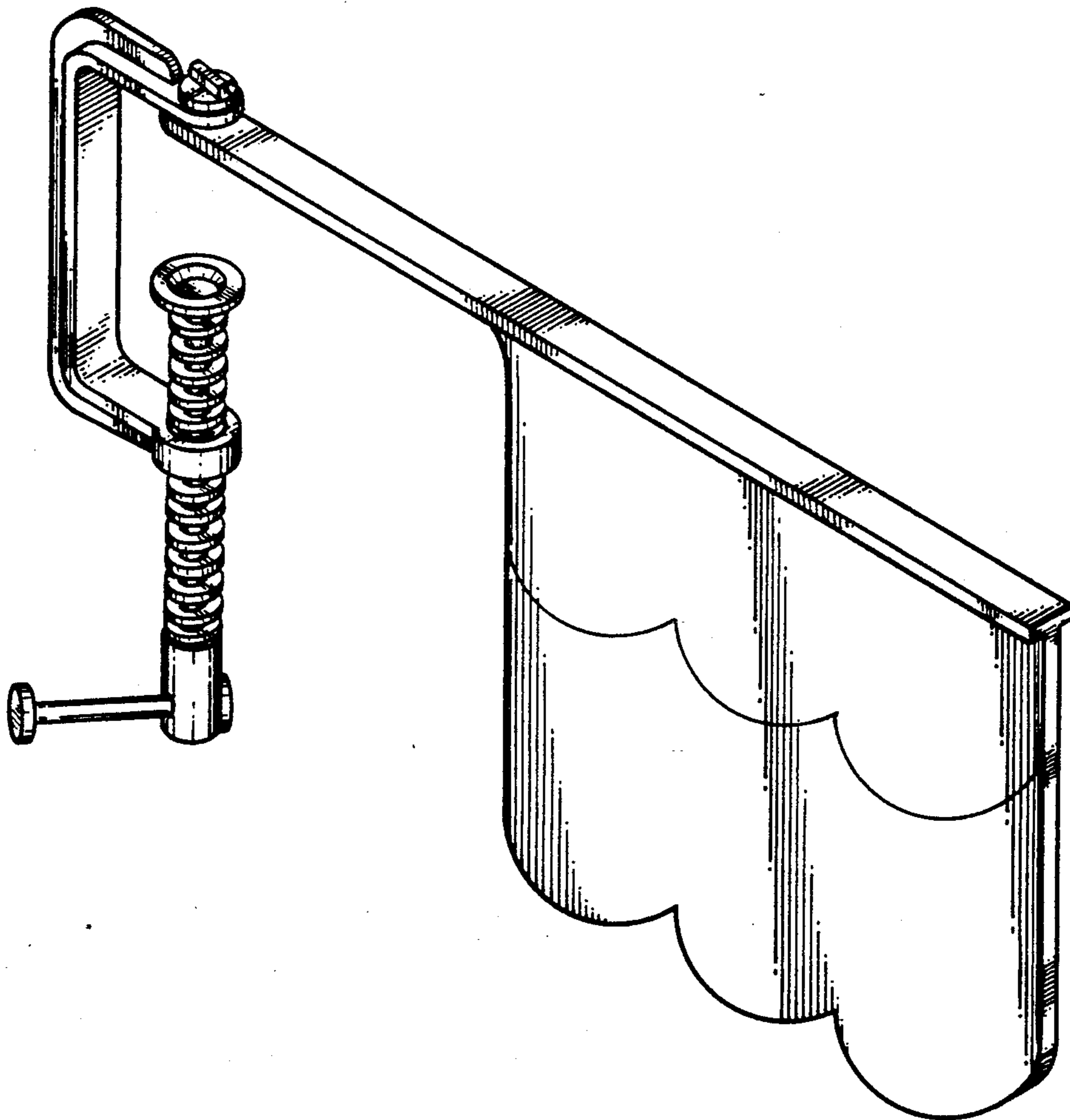
FIG. 2 is a front elevational view thereof;

FIG. 3 is a rear elevational view thereof;

FIG. 4 is a side elevational view thereof, the side opposite being a mirror image of the side shown in FIG. 4;

FIG. 5 is a top plan view thereof; and,

FIG. 6 is a bottom view thereof.



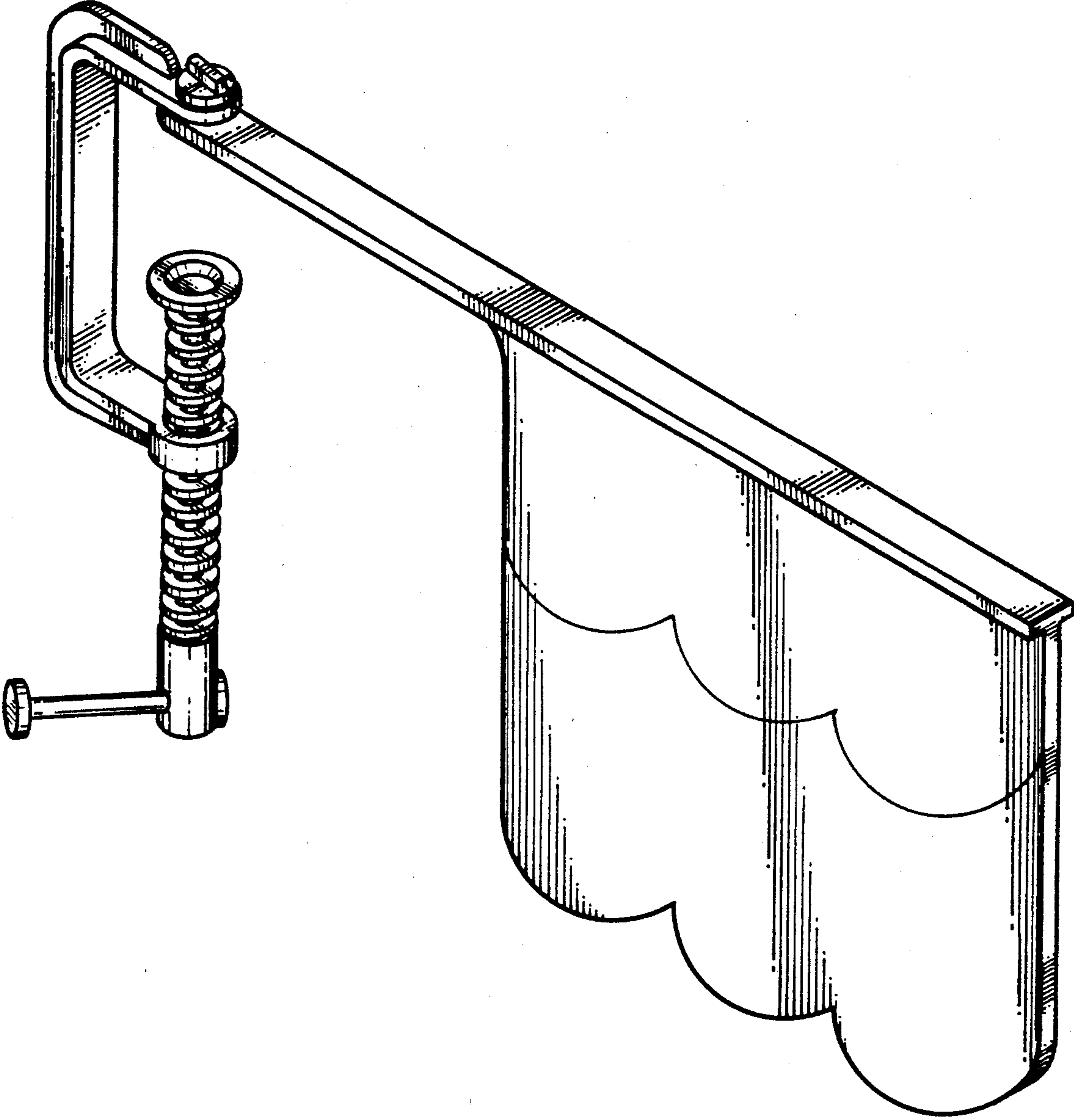


FIG. 1

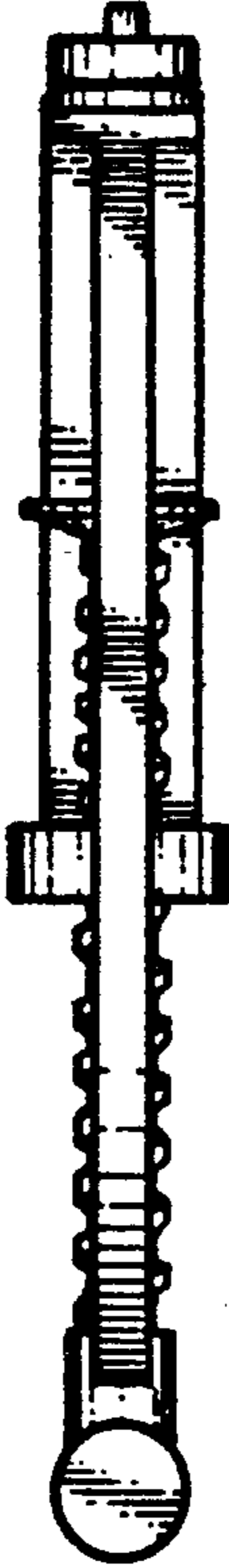


FIG. 2

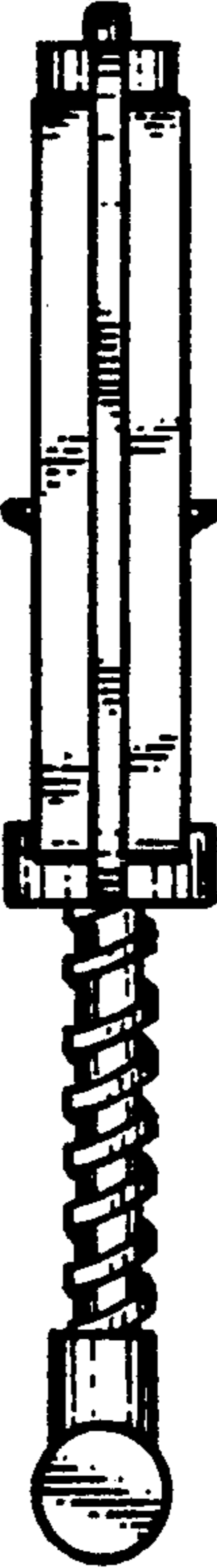


FIG. 3

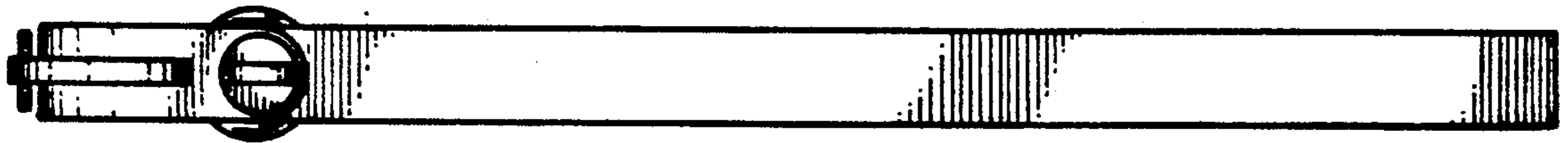


FIG. 5

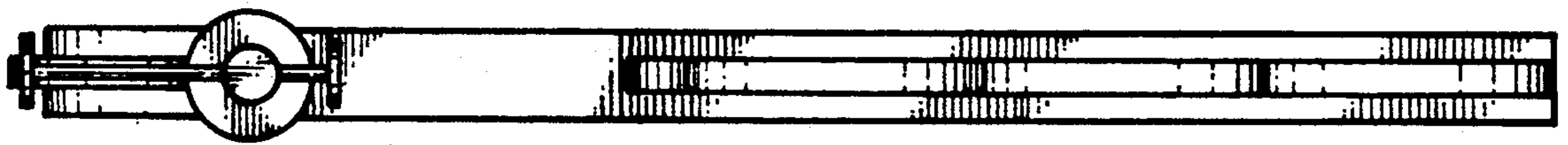


FIG. 6

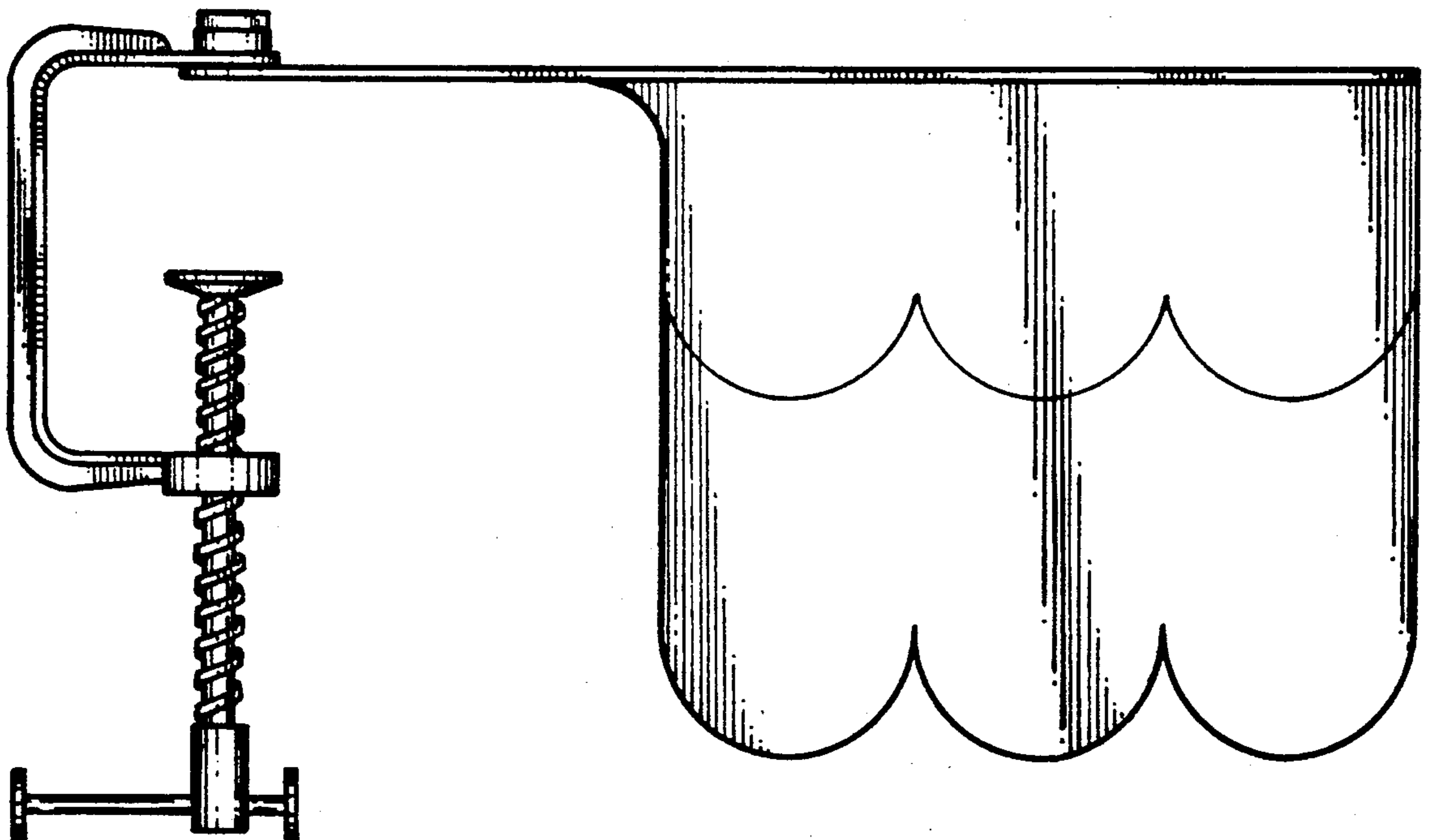


FIG. 4