



US00D336327S

United States Patent [19]

[11] Patent Number: **Des. 336,327**

Zorb et al.

[45] Date of Patent: **** Jun. 8, 1993**

[54] CONTAINMENT TANK FOR FLUIDS

4,887,731 12/1989 Pett et al. 220/1.5
4,930,661 6/1990 Voorhies 220/1.5 X
4,989,741 2/1991 Dull et al. 220/1.5

[75] Inventors: **Robert D. Zorb; Liaqat M. Khan,**
both of Stockton, Calif.

[73] Assignee: **Poly-Cal Plastics, a division of Abell Corporation,**
French Camp, Calif.

Primary Examiner—Wallace R. Burke
Assistant Examiner—M. H. Tung
Attorney, Agent, or Firm—Lothrop & West

[**] Term: **14 Years**

[57] **CLAIM**

[21] Appl. No.: **818,706**

The ornamental design for a containment tank for fluids, as shown and described.

[22] Filed: **Jan. 9, 1992**

DESCRIPTION

[52] U.S. Cl. **D23/202**

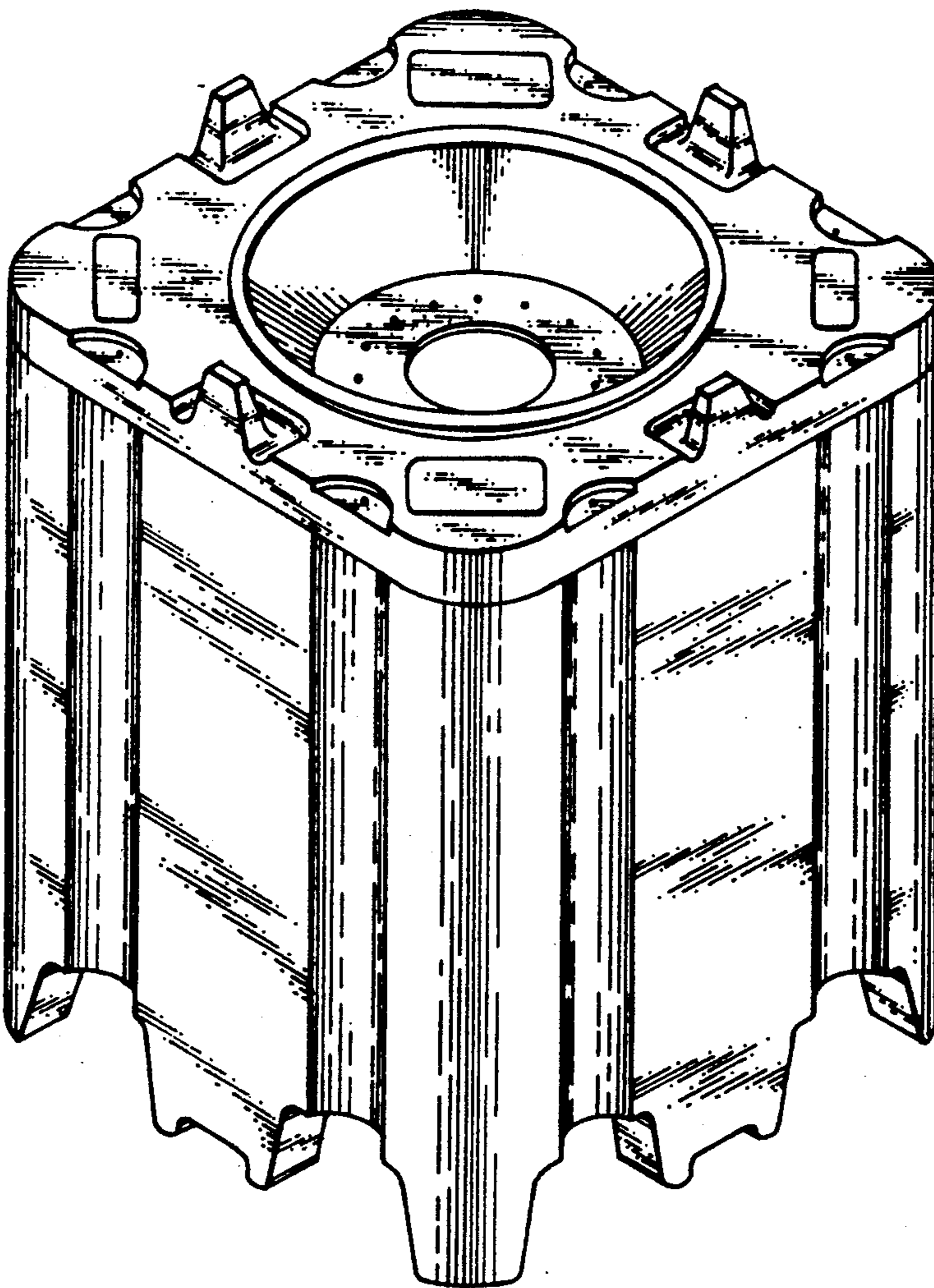
[58] Field of Search **D23/202-205;**
220/1.5, 2, 4.12, 561, 565; 206/503, 505,
510-511, 515; D9/524, 527-528, 341; 215/1 R,
1 C, 6, 100 A; 141/98

FIG. 1 is a perspective view of a containment tank for fluids, showing my new design;
FIG. 2 is a front elevational view, thereof, the rear elevational view being substantially a mirror image, thereof;
FIG. 3 is a side elevational view, thereof, the opposite side elevational view being substantially a mirror image, thereof;
FIG. 4 is a top plan view; and,
FIG. 5 is a bottom plan view.

[56] **References Cited**

U.S. PATENT DOCUMENTS

D. 329,275 9/1992 McKenzie et al. D23/202
D. 331,094 11/1992 Sterett D23/202



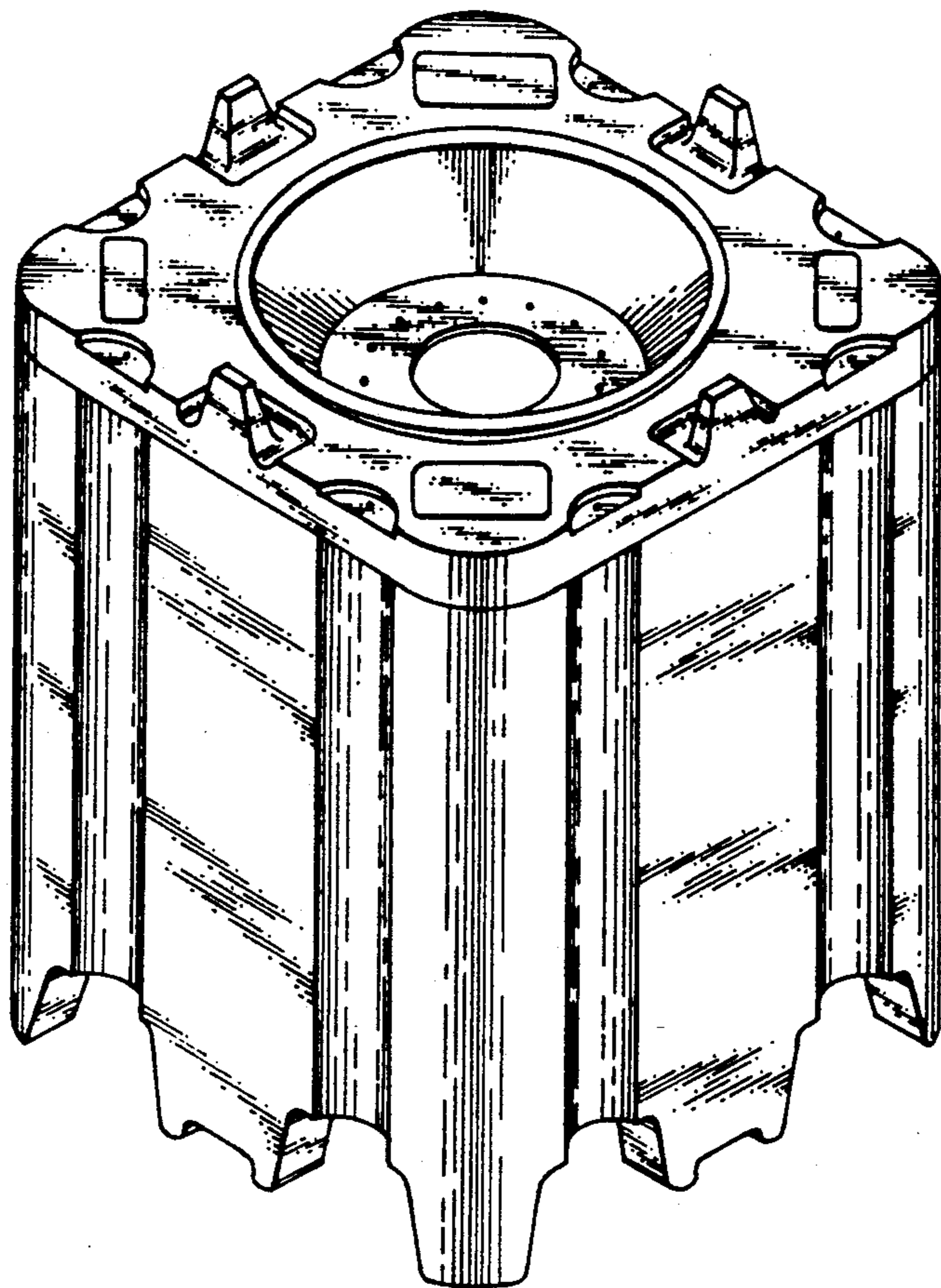


FIG. 1.

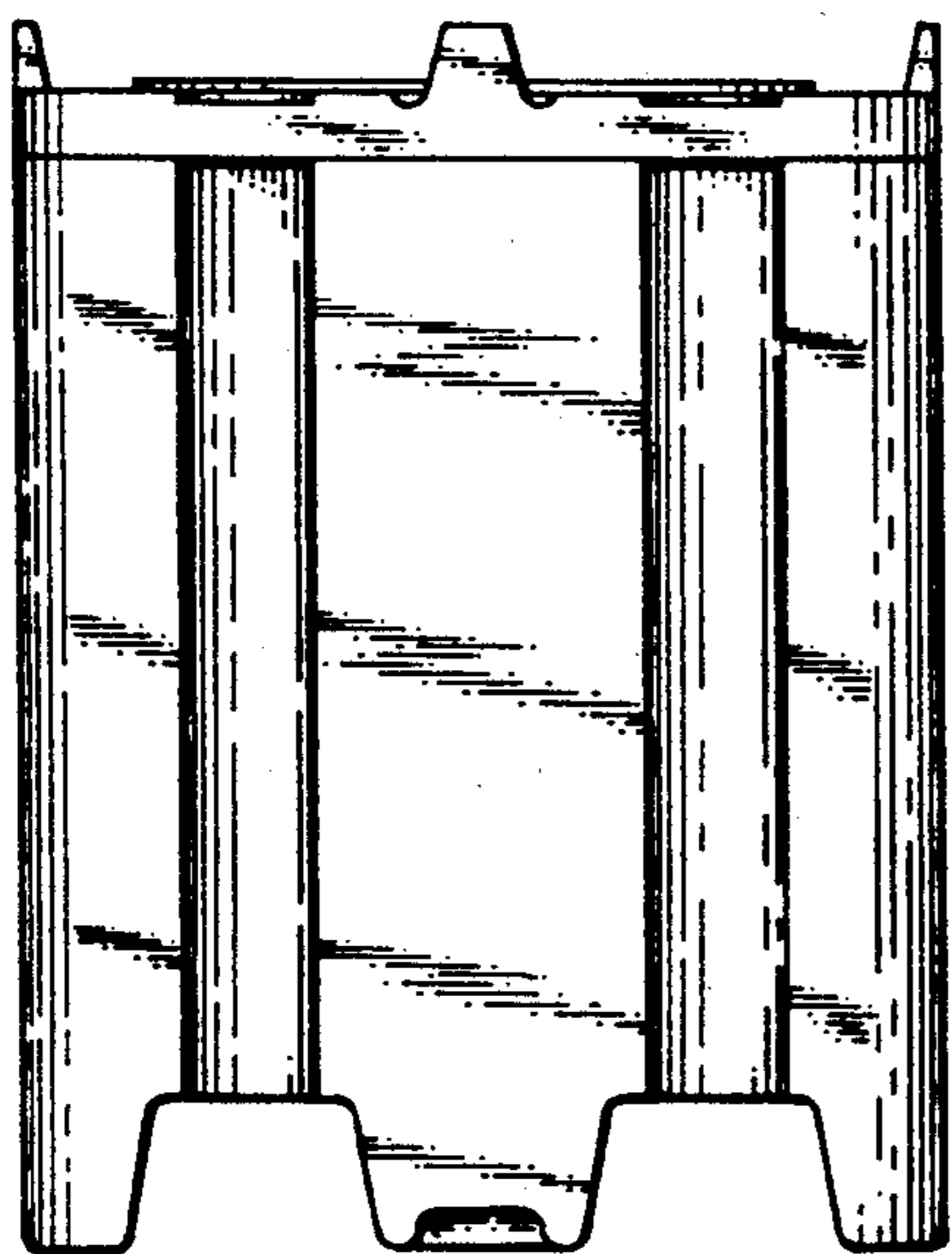


FIG. 2.

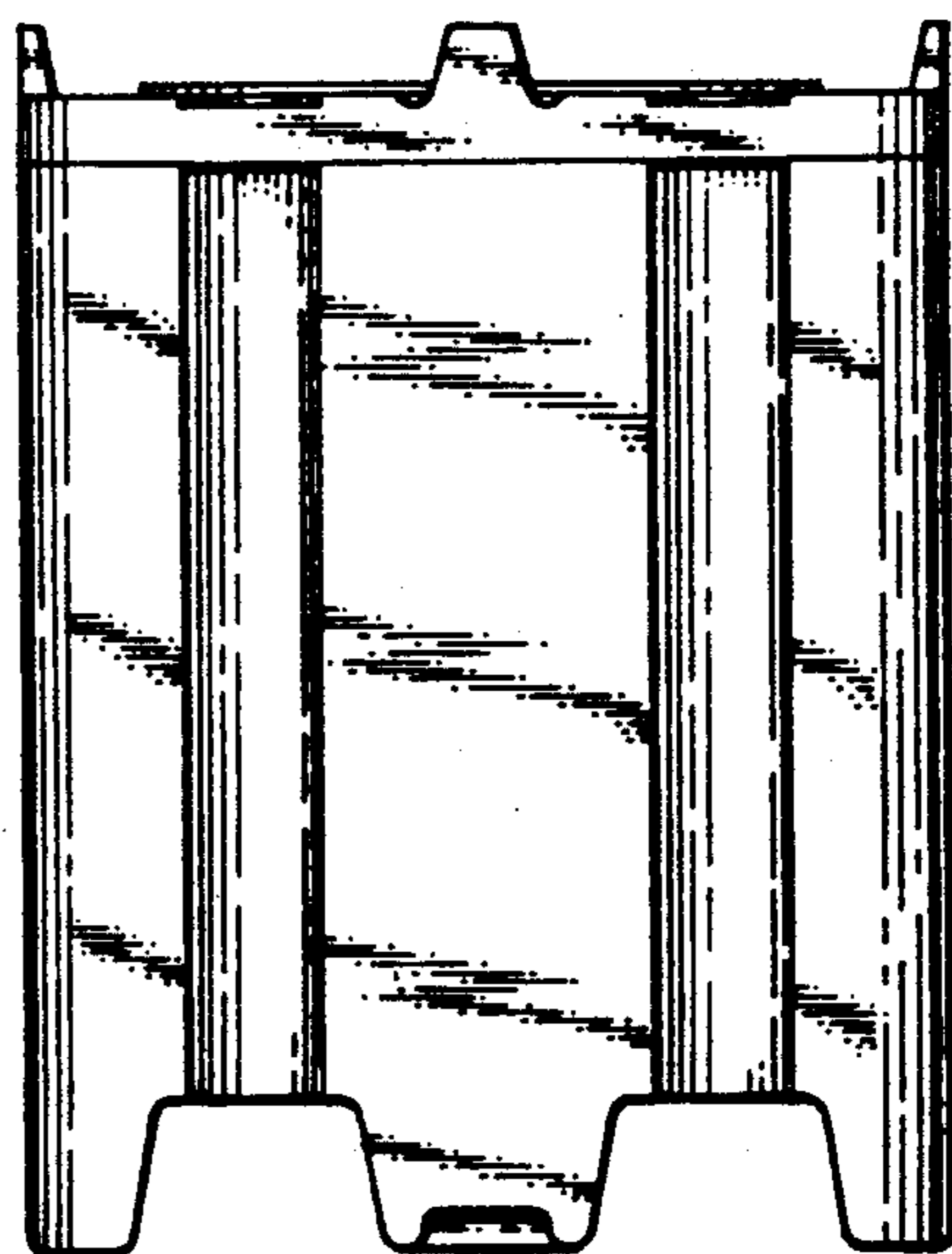


FIG. 3.

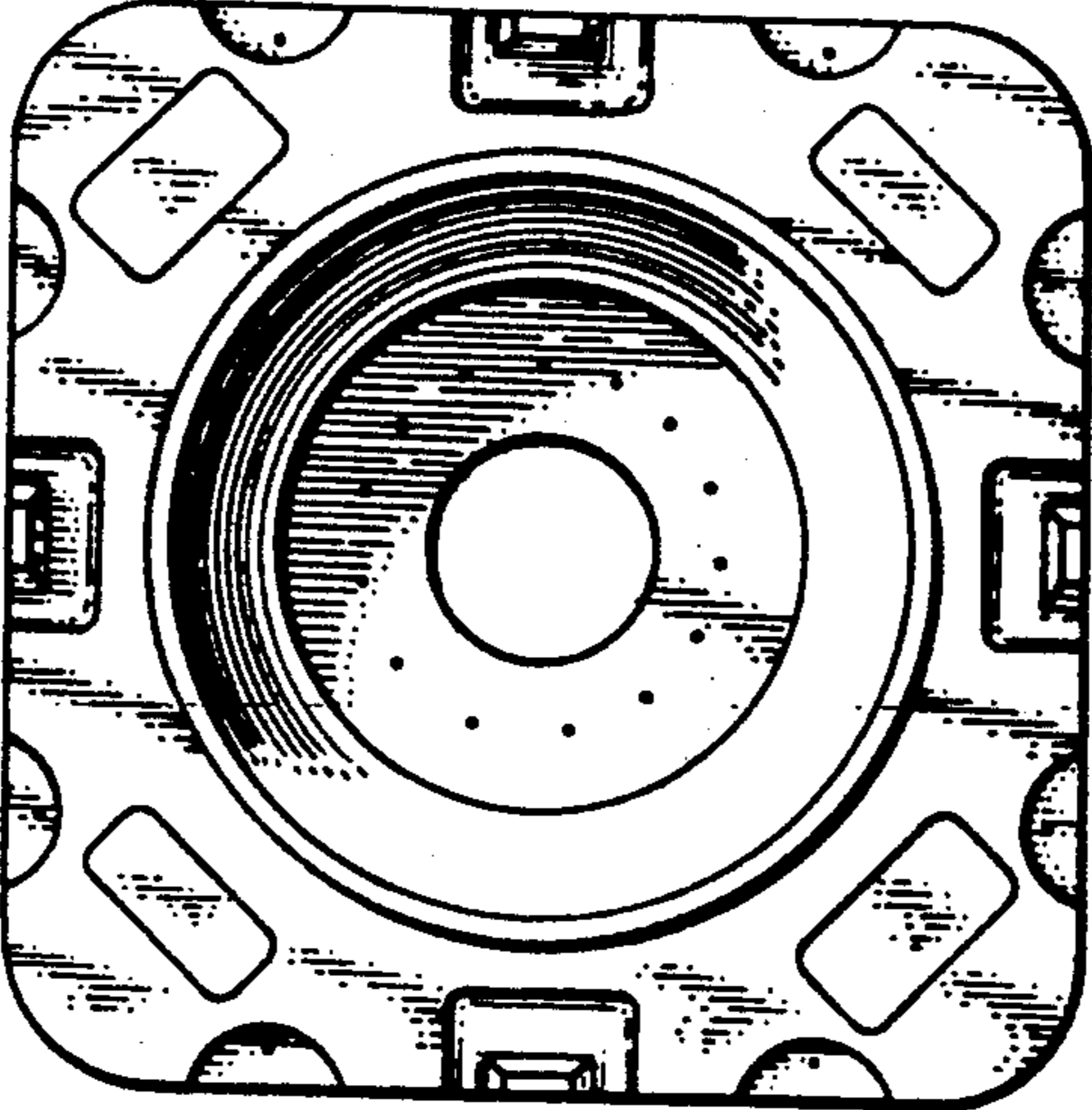


FIG. 4.

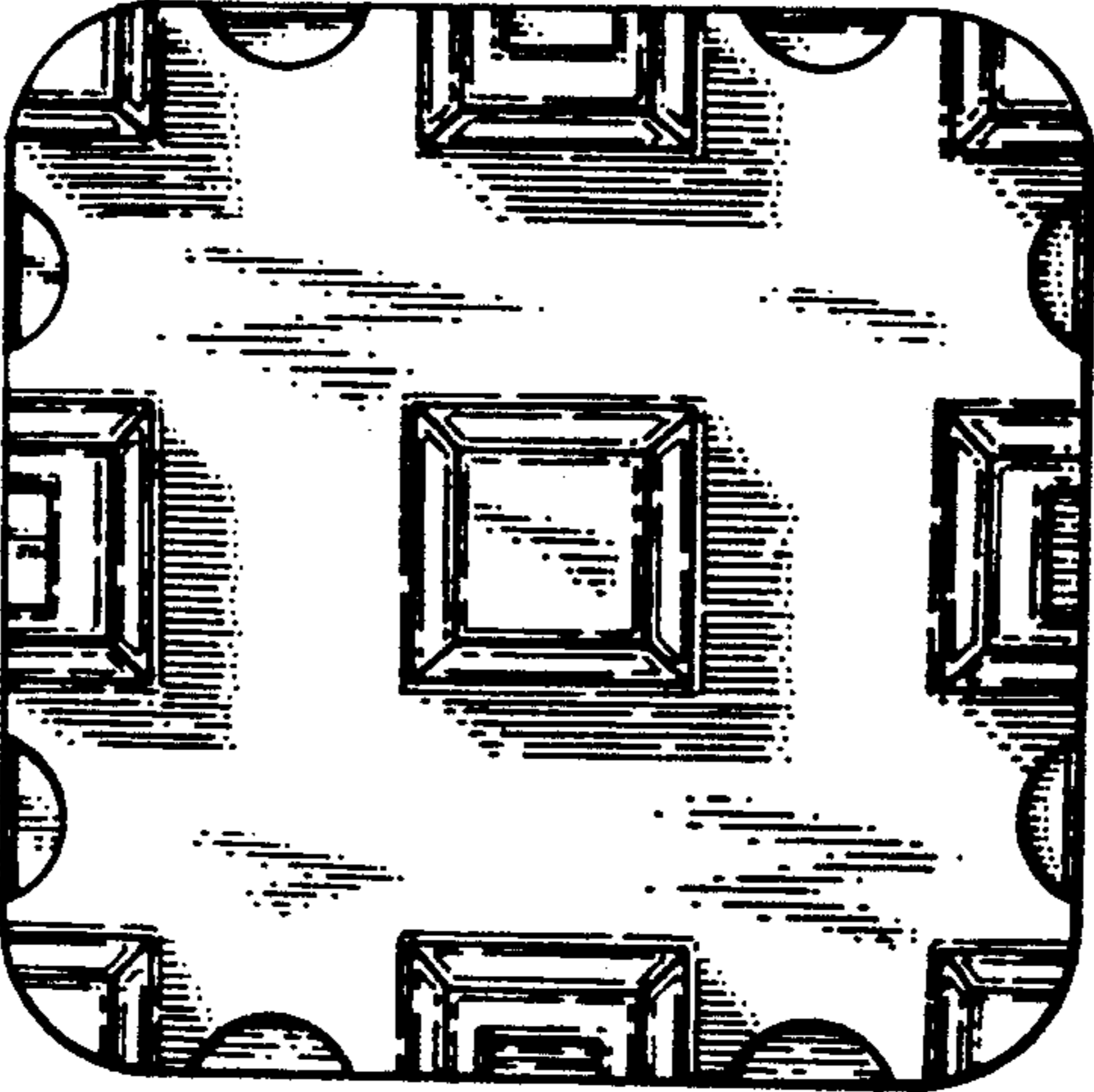


FIG. 5.