



US00D336325S

United States Patent [19]

Asano

[11] Patent Number: **Des. 336,325**

[45] Date of Patent: **** Jun. 8, 1993**

[54] **FISHING REEL**

[75] Inventor: **Shinichi Asano, Musashino, Japan**

[73] Assignee: **Daiwa Seiko, Inc., Tokyo, Japan**

[**] Term: **14 Years**

[21] Appl. No.: **677,285**

[22] Filed: **Mar. 29, 1991**

[30] **Foreign Application Priority Data**

Sep. 29, 1990 [JP]	Japan	2-32919
[52] U.S. Cl.	D22/140	
[58] Field of Search	D22/140, 141;	
		242/234-239	

[56] **References Cited**

U.S. PATENT DOCUMENTS

D. 300,166	3/1989	Myojo	D22/140
D. 315,011	2/1991	Kaneda et al.	D22/140
D. 326,306	5/1992	Sakurai	D22/140

OTHER PUBLICATIONS

Bass Pro Shop 1990, p. 66, "Procaster Magforce Reel".
 Japanese Design Journal, issued on Jun. 1, 1985 No. 652499.
 Japanese Design Journal issued on Jun. 8, 1985 No. 652498.

Primary Examiner—A. Hugo Word
Assistant Examiner—Doris V. Coles
Attorney, Agent, or Firm—Cushman, Darby & Cushman

[57] **CLAIM**

The ornamental design for a fishing reel, as shown and described.

DESCRIPTION

FIG. 1 is a front, top and the opposite side of the perspective view of a fishing reel showing my new design;
 FIG. 2 is a front elevational view thereof;
 FIG. 3 is a rear elevational view thereof;
 FIG. 4 is a side elevational view of one side thereof;
 FIG. 5 is a side elevational view of the opposite side thereof;
 FIG. 6 is a top plan view thereof; and,
 FIG. 7 is a bottom view thereof.

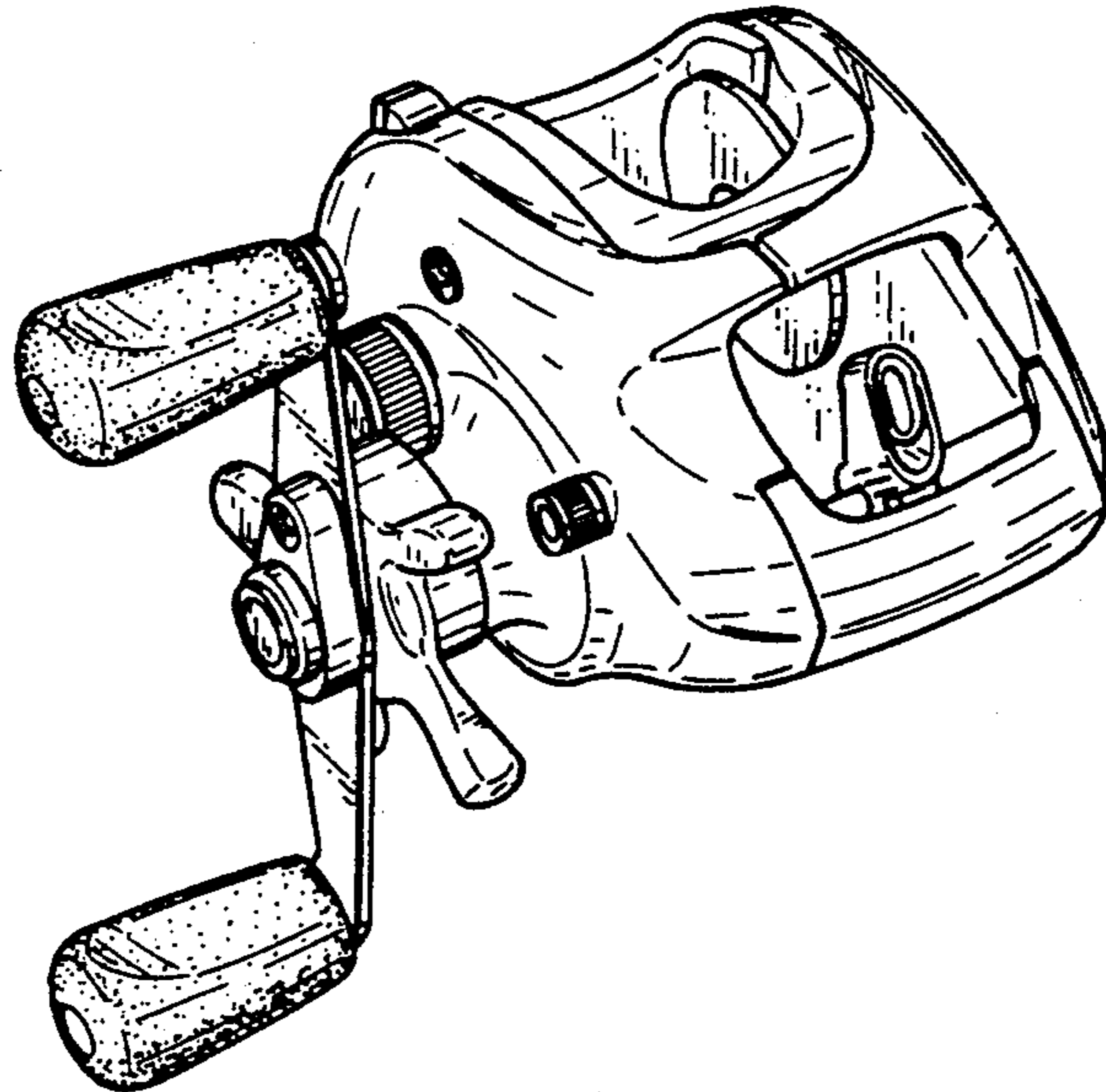


Fig. 1

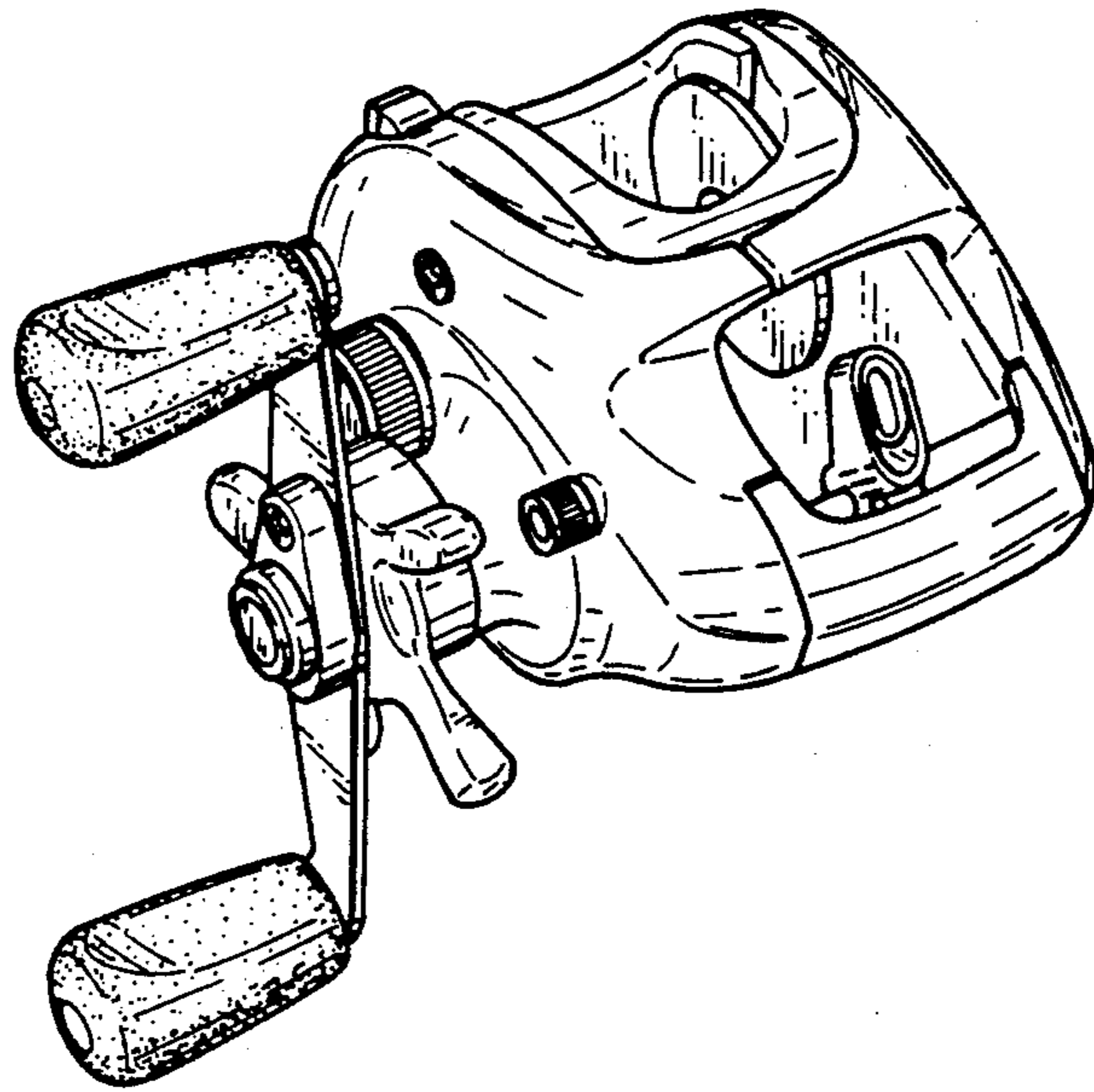


Fig. 2

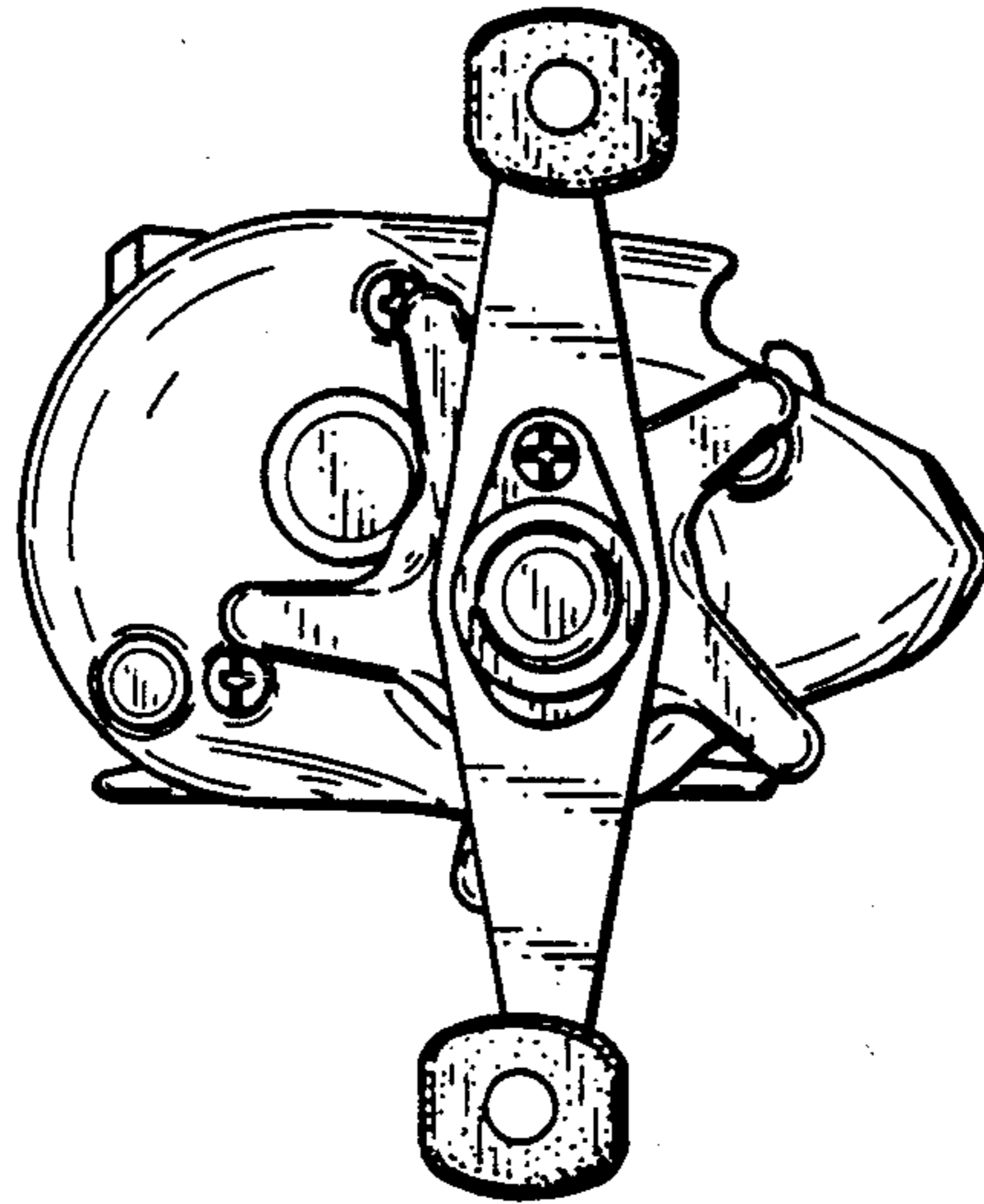


Fig. 3

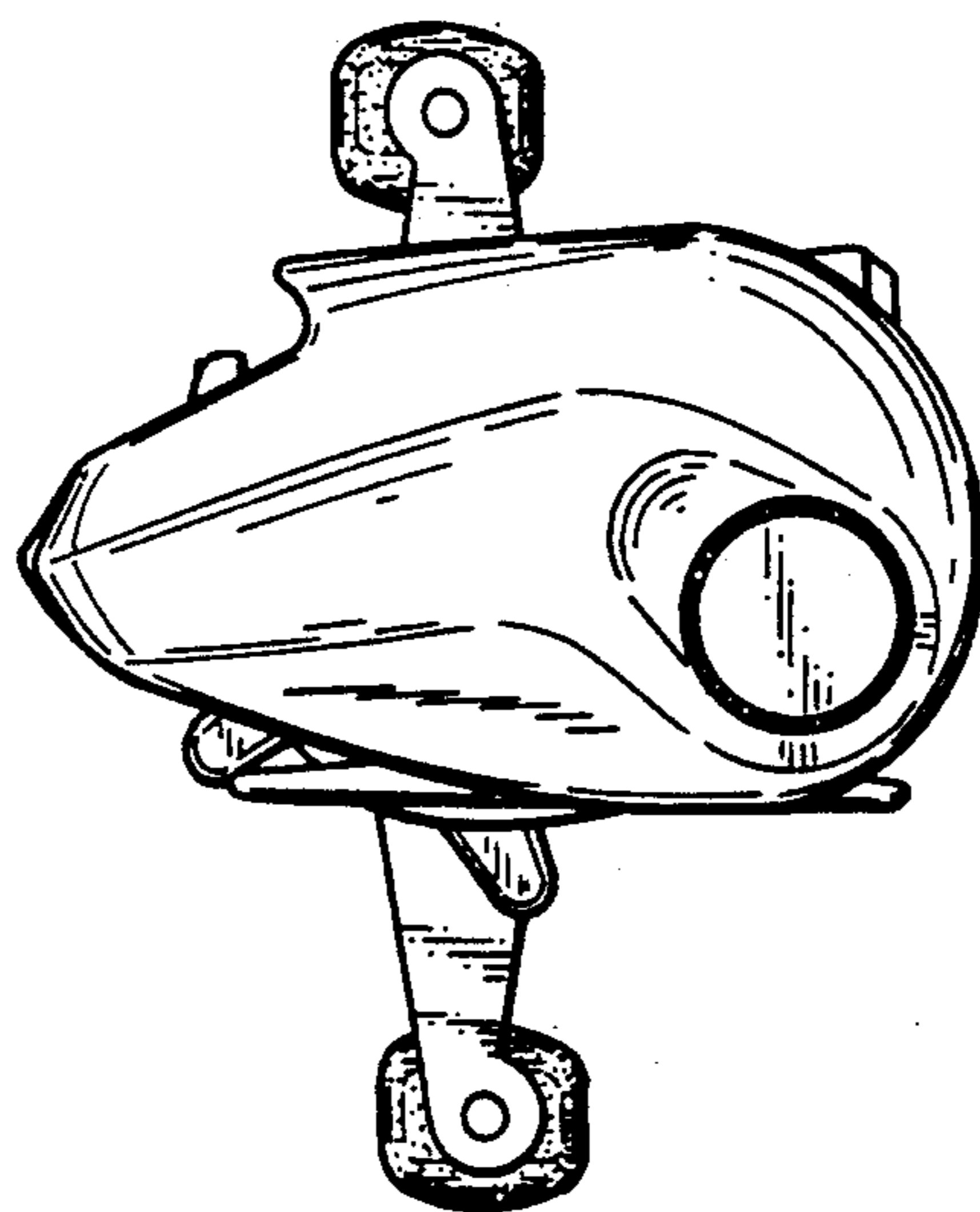


Fig. 4

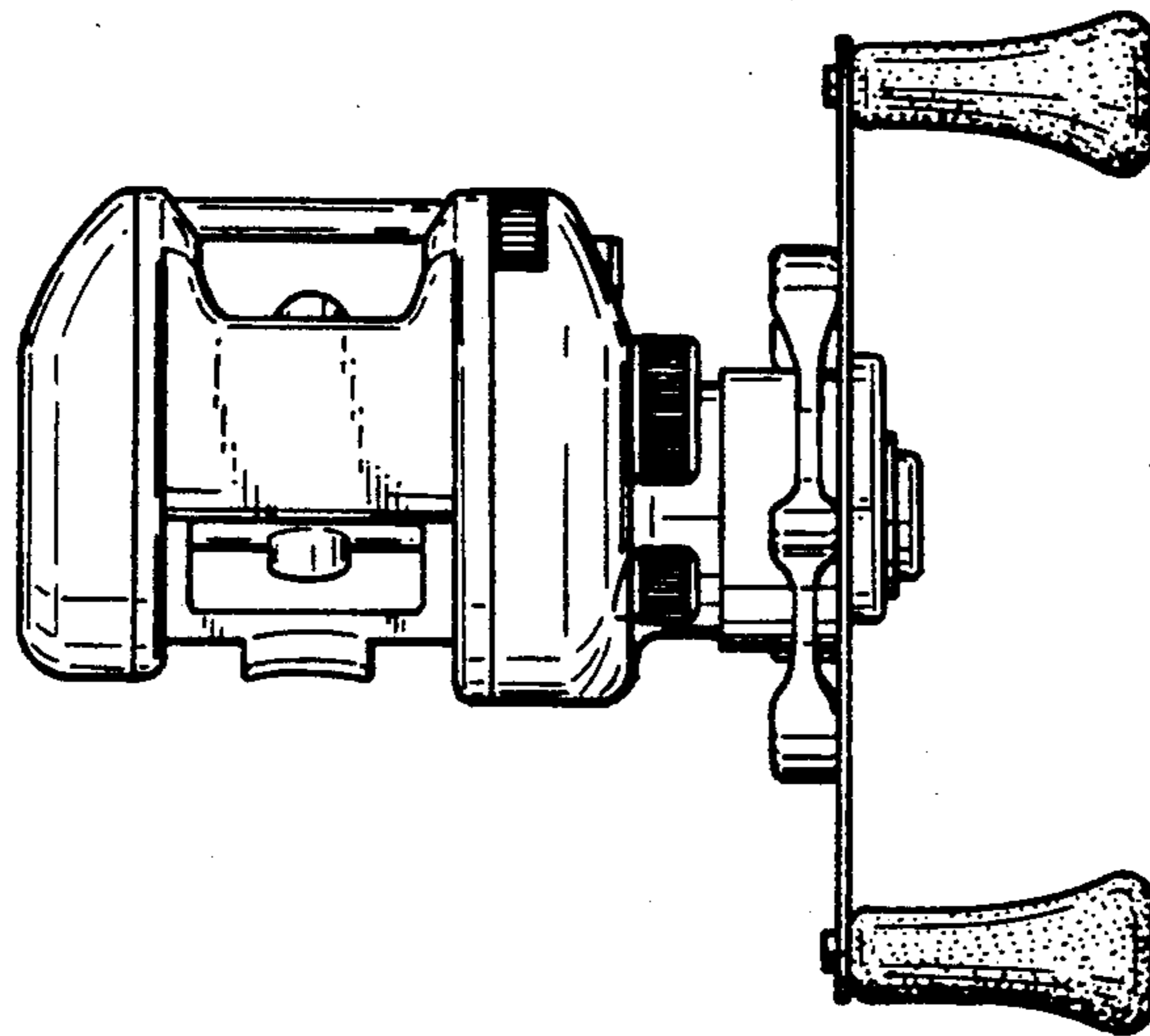


Fig. 5

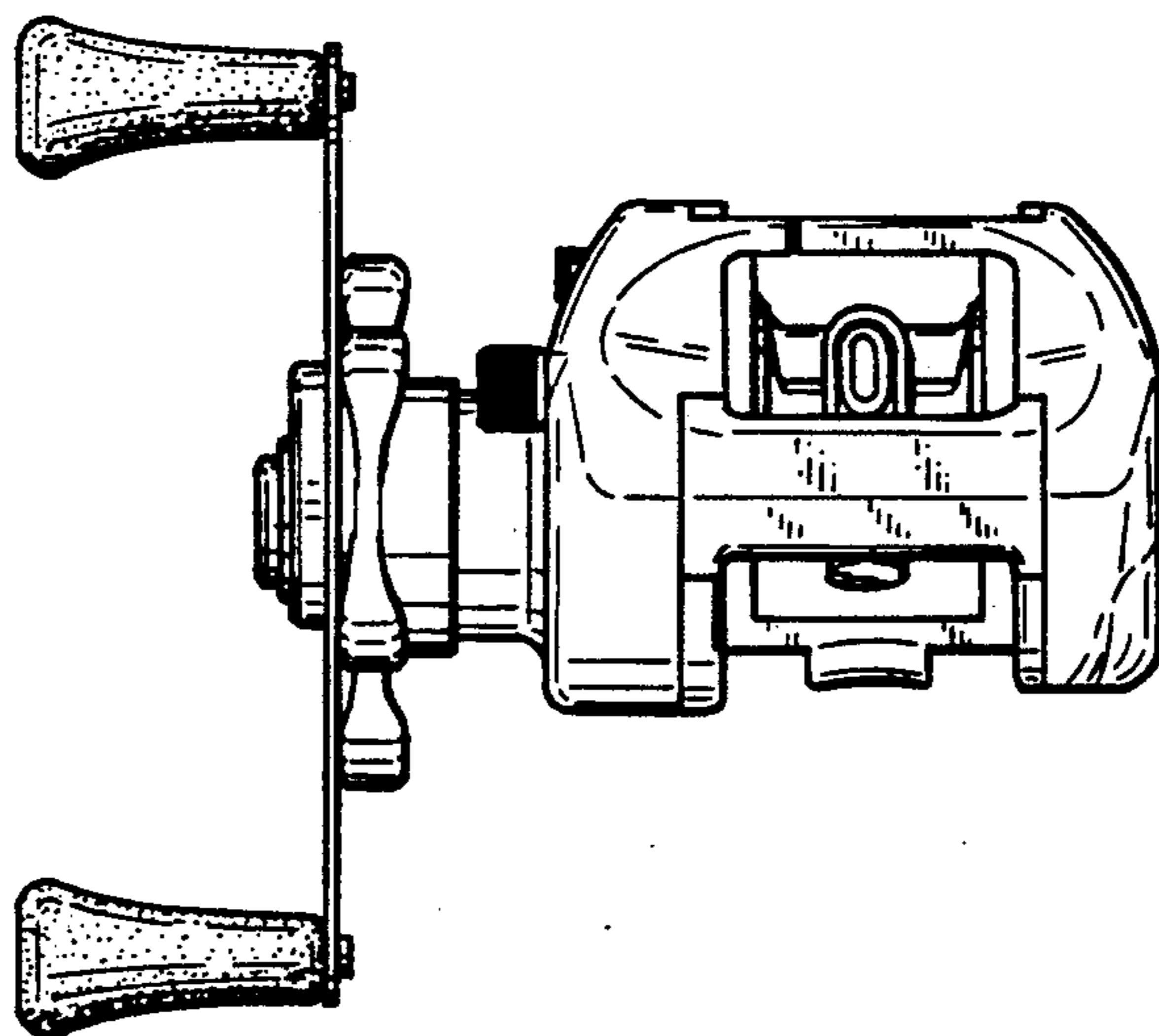


Fig. 6

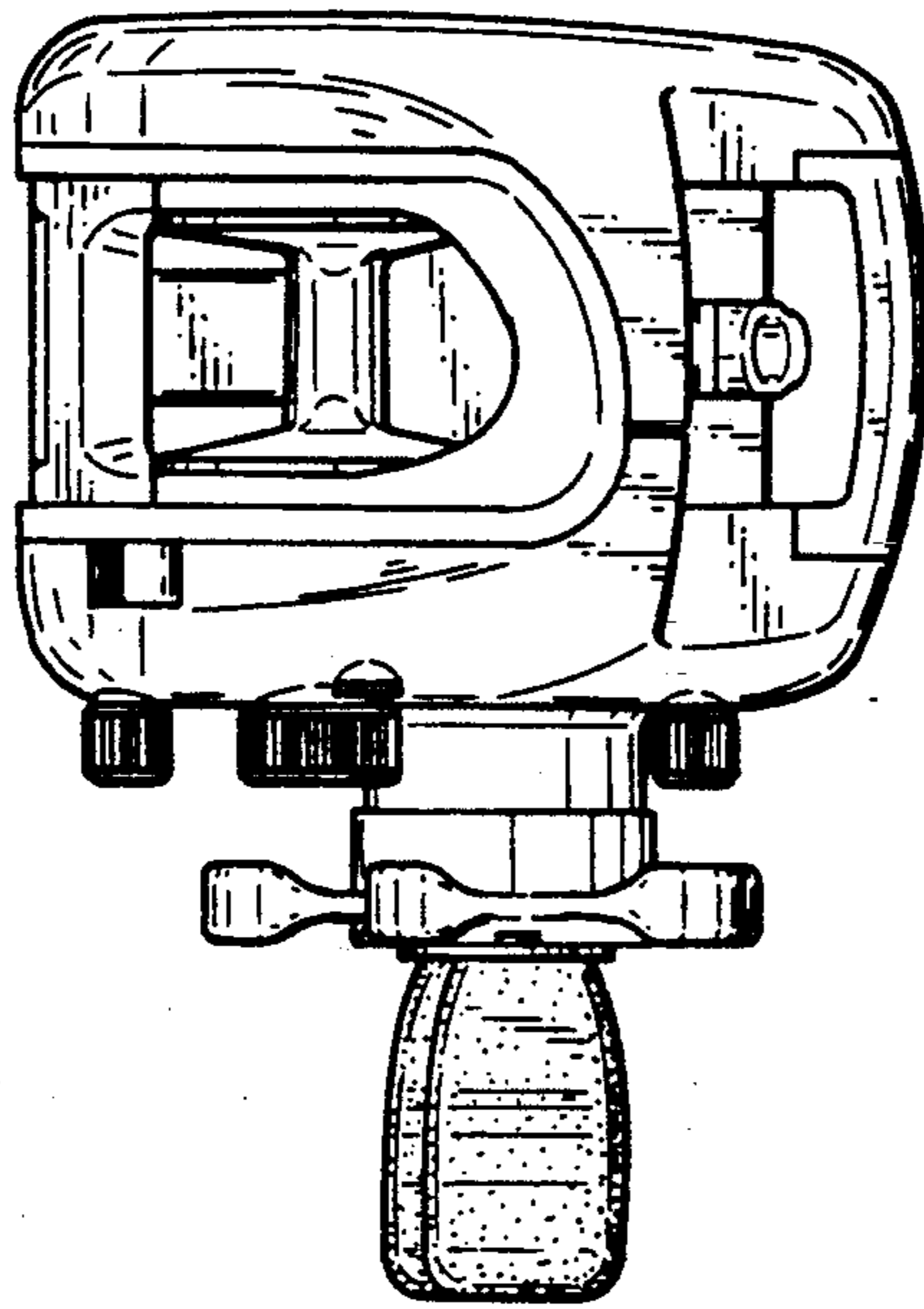


Fig. 7

