



US00D336321S

United States Patent [19]

Gerritzen

[11] Patent Number: Des. 336,321

[45] Date of Patent: ** Jun. 8, 1993

[54] GOLF PUTTER HEAD

[76] Inventor: Gary R. Gerritzen, 727 S. Mason, Tacoma, Wash. 98405

[**] Term: 14 Years

[21] Appl. No.: 695,285

[22] Filed: May 3, 1991

[52] U.S. Cl. D21/219

[58] Field of Search D21/219, 217;
273/164.1, 164.2, 167-175

[56] **References Cited**

U.S. PATENT DOCUMENTS

D. 233,535	11/1974	Karban	D21/219
D. 234,782	4/1975	Creed	D21/217
D. 239,637	4/1976	Loggins	D21/217
D. 245,439	8/1977	Thiel	D21/219
D. 257,868	1/1981	Shelton	D21/217
2,463,291	3/1949	Mazziotti	D21/219

Primary Examiner—Melvin B. Feifer
Attorney, Agent, or Firm—Bruce A. Kaser

[57] **CLAIM**

The ornamental design for a golf putter head, as shown and described.

DESCRIPTION

FIG. 1 is a perspective view of a golf putter head showing my new design;
 FIG. 2 is an enlarged pictorial view of my golf putter head design;
 FIG. 3 is a top plan view thereof;
 FIG. 4 is a bottom plan view thereof;
 FIG. 5 is a frontal view thereof;
 FIG. 6 is a rearward view thereof;
 FIG. 7 is a side view thereof, looking at the toe-end of my design; and,
 FIG. 8 is a side view thereof, looking at the heel-end of my design.
 The broken line showing of a shaft is for illustrative purposes only and forms no part of the claimed design.

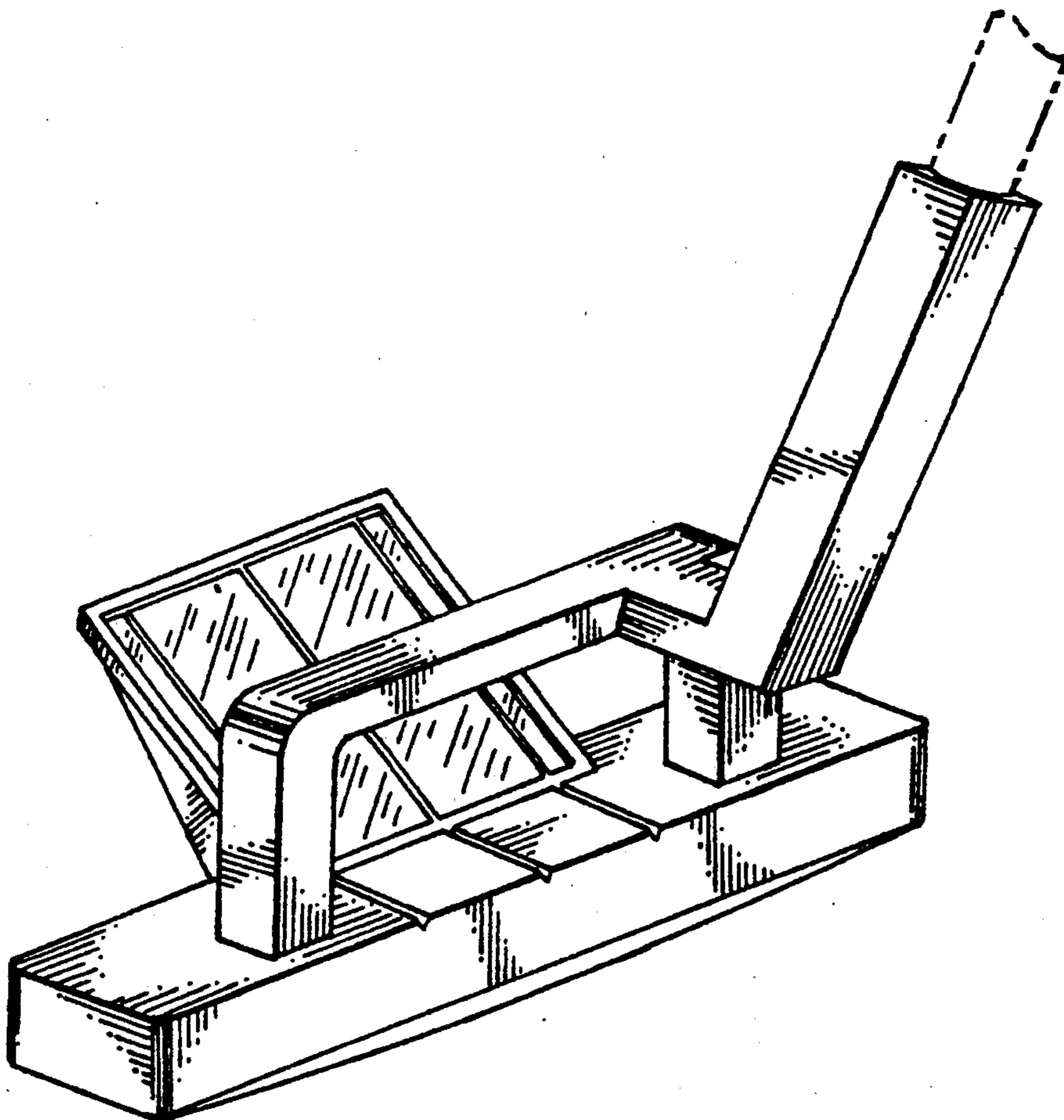


Fig. 2

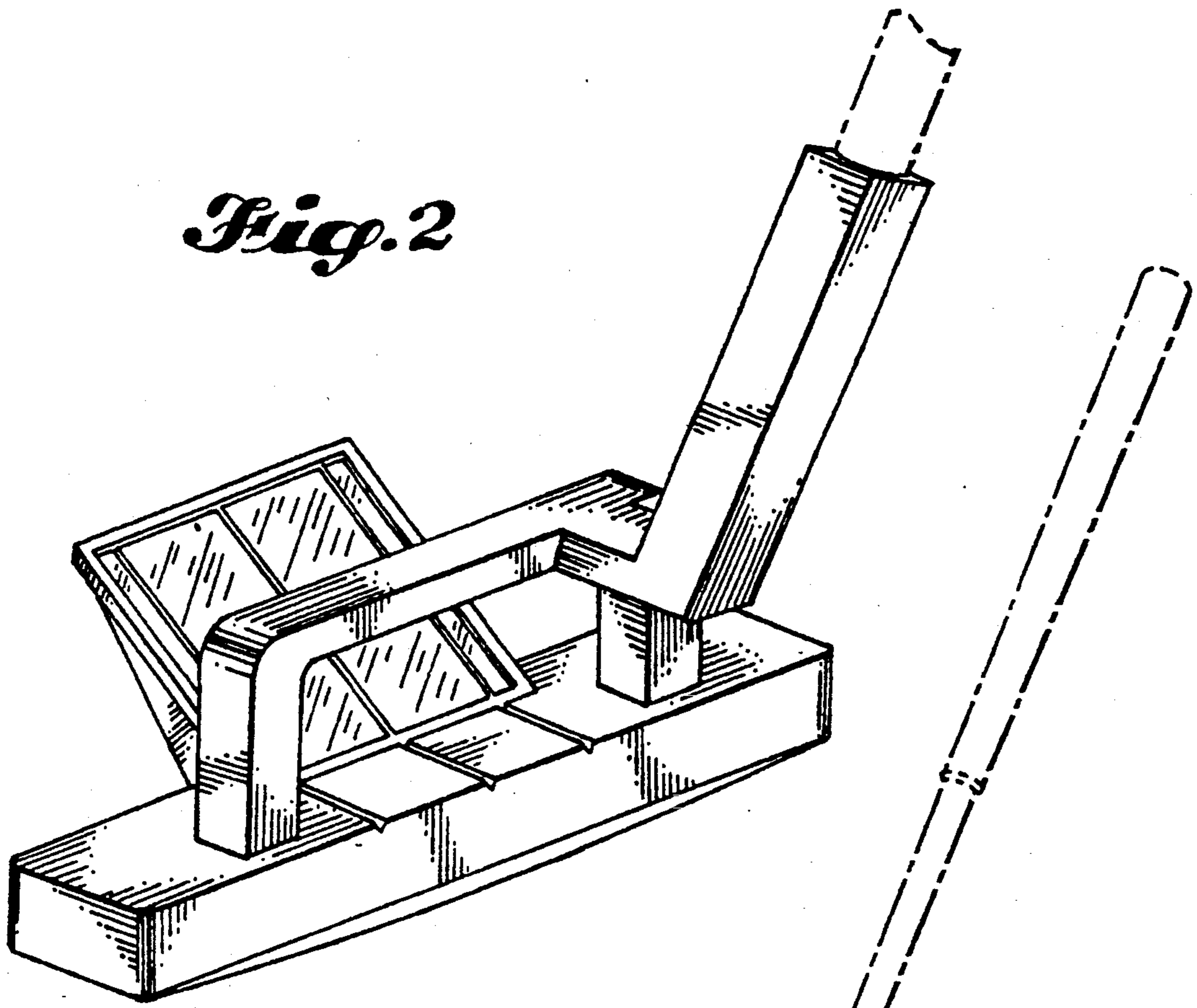
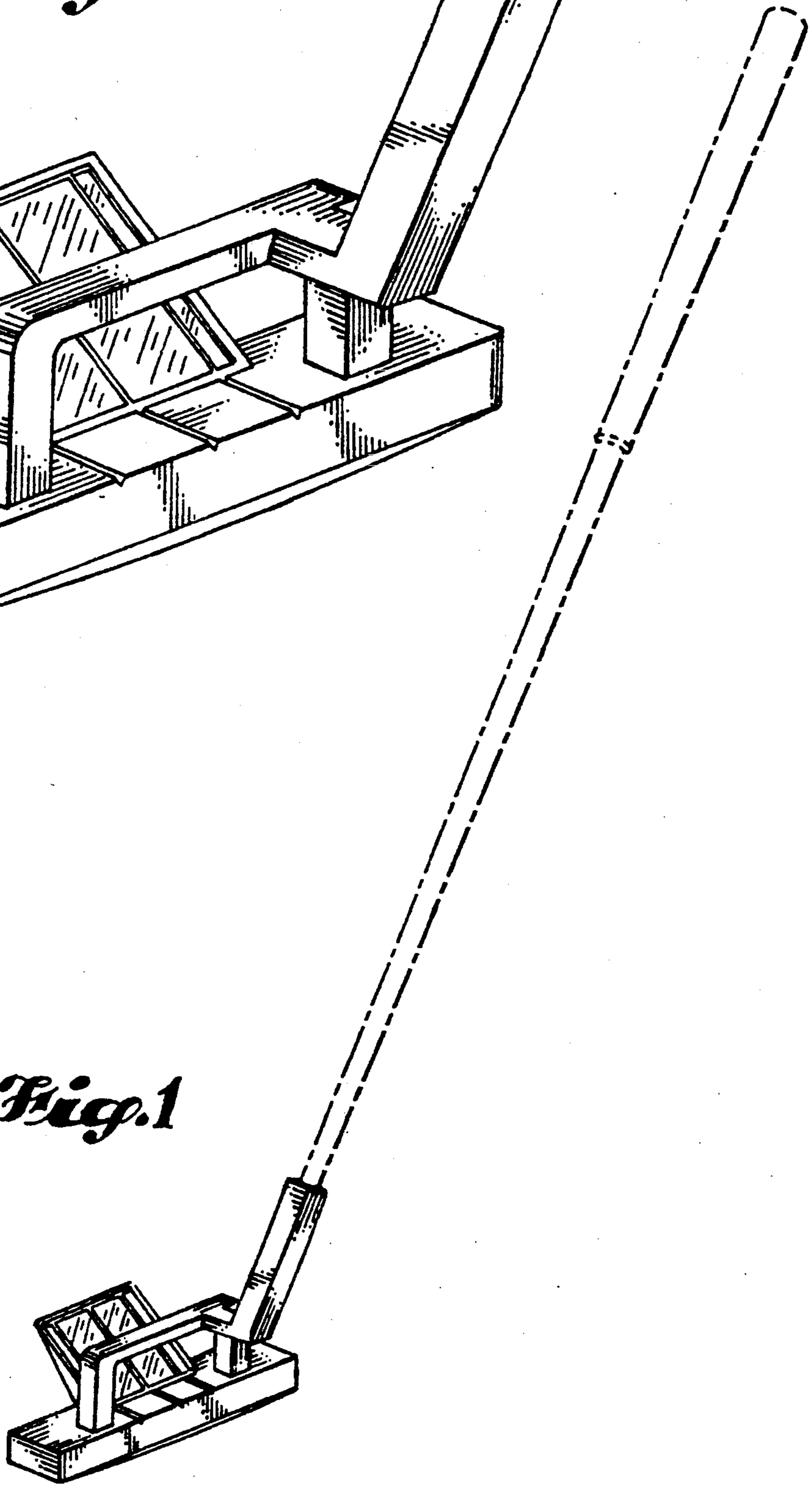


Fig. 1



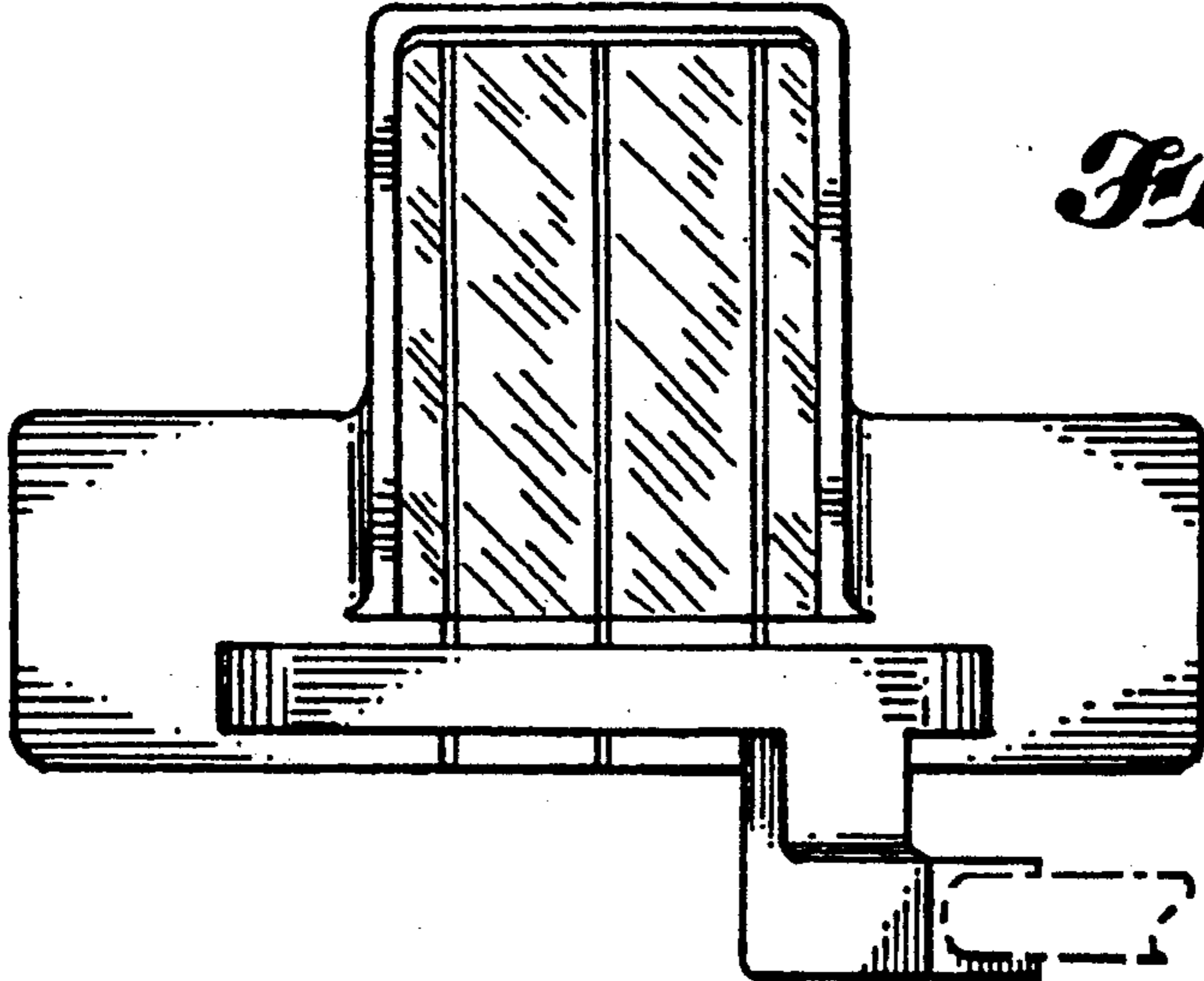


Fig. 3

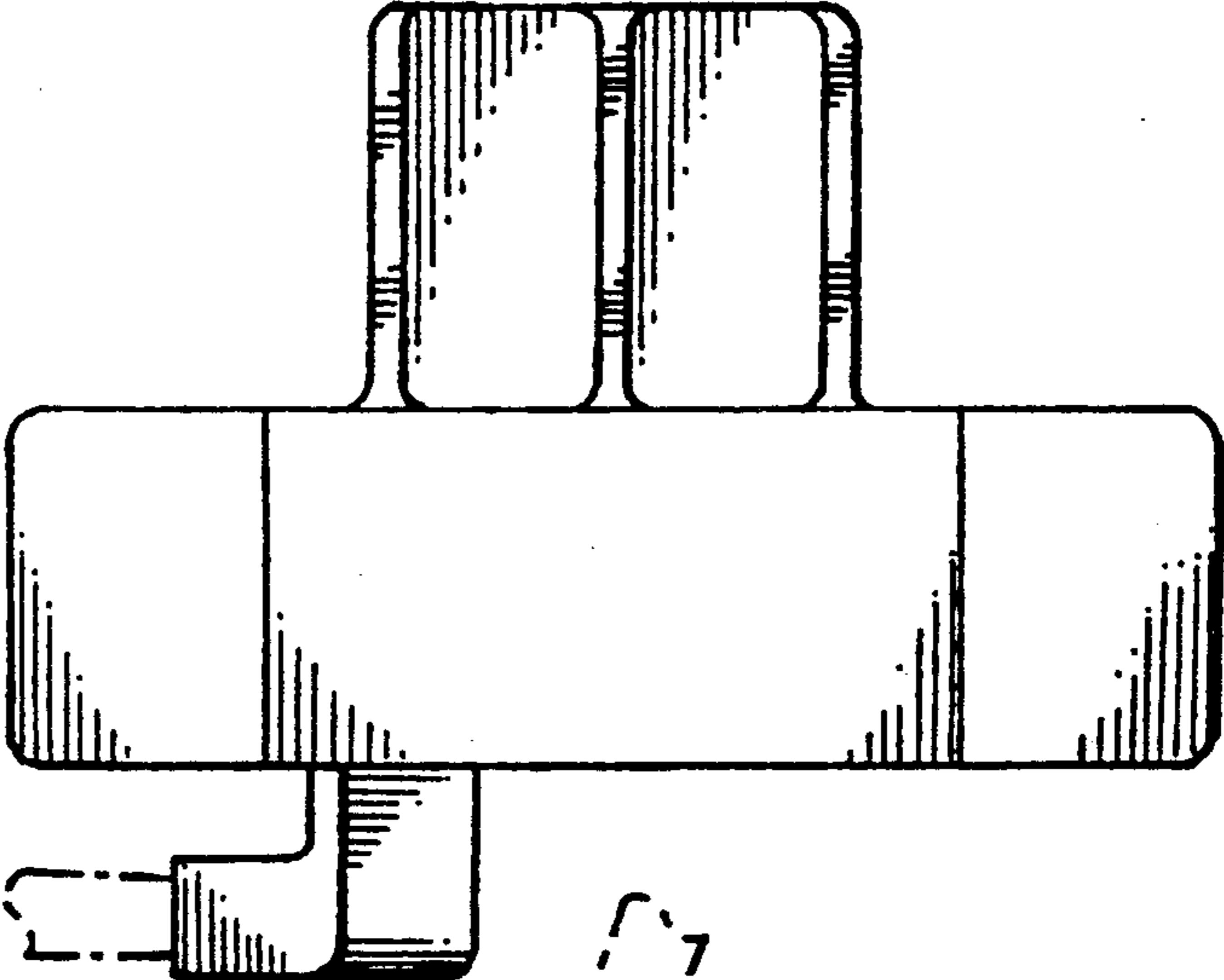


Fig. 4

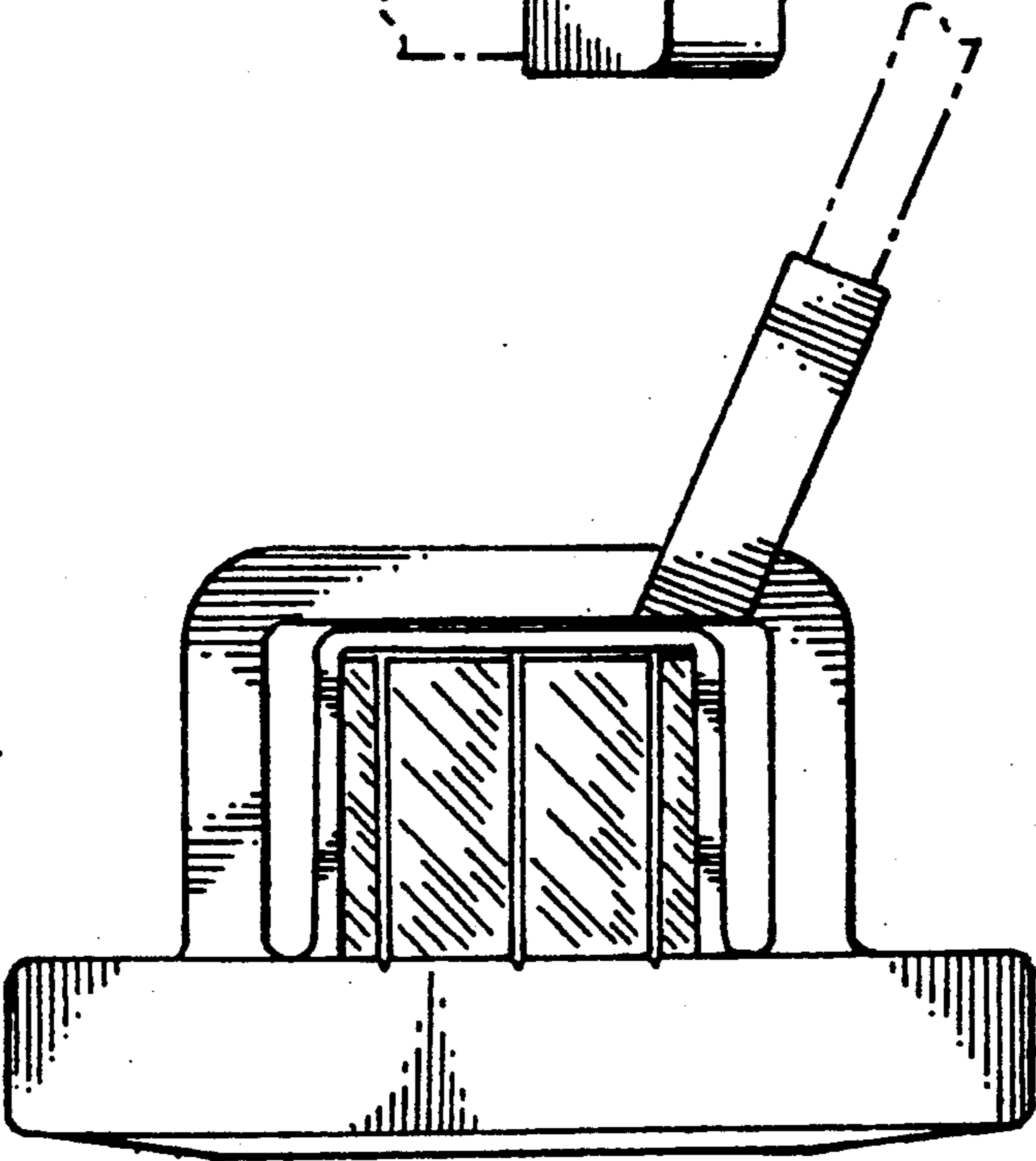


Fig. 5

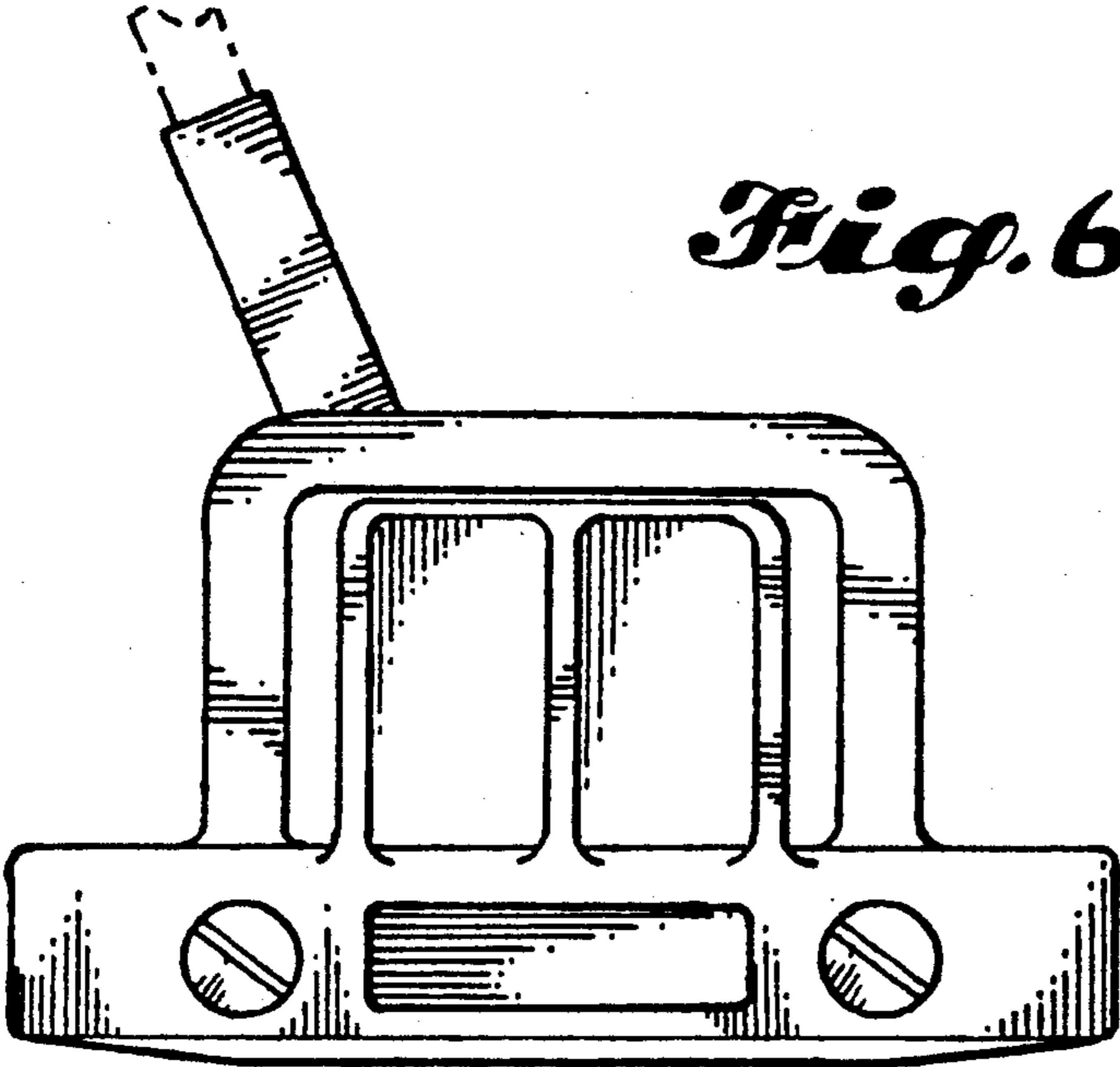


Fig. 6

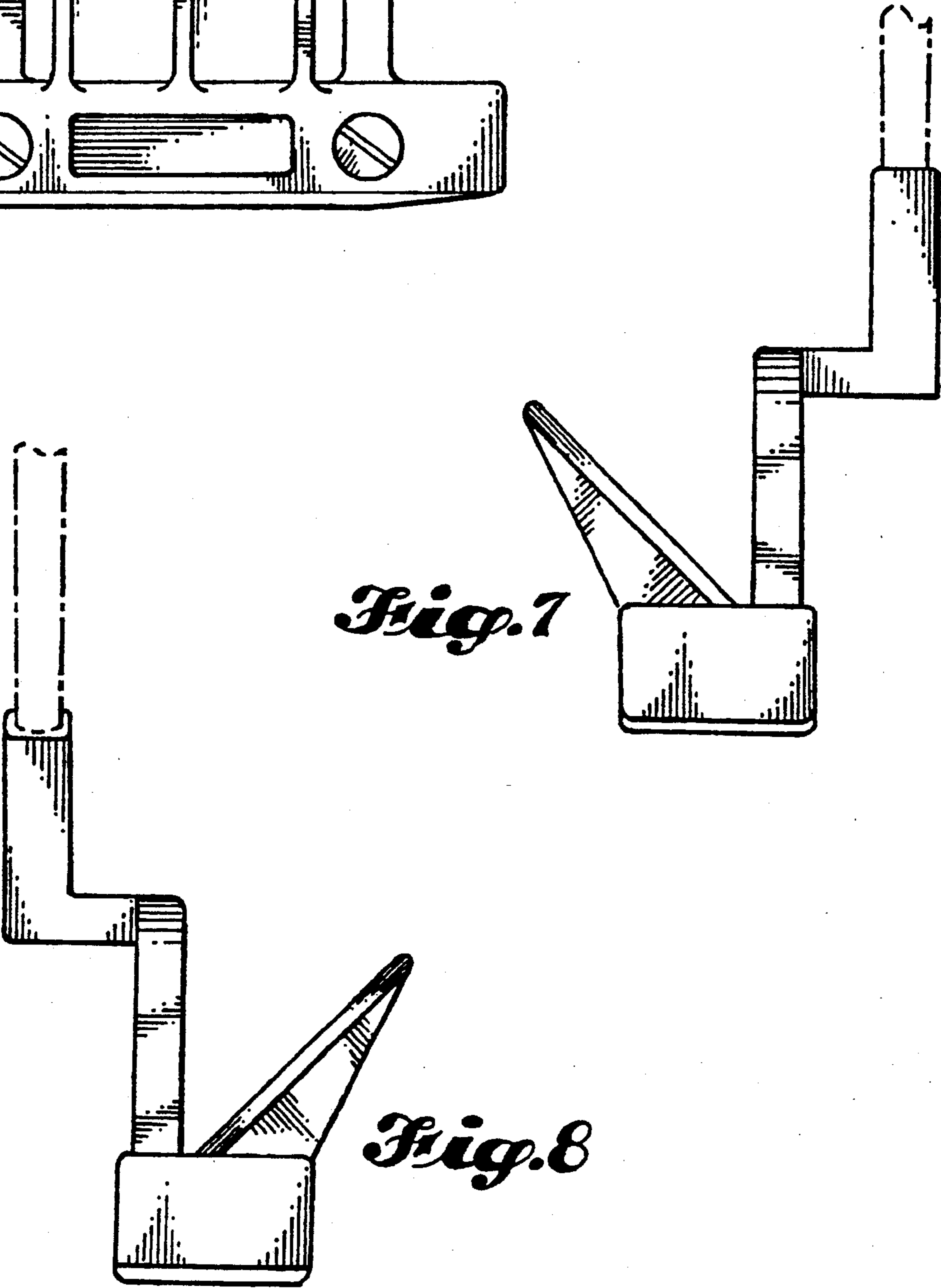


Fig. 7

Fig. 8