



US00D336319S

United States Patent [19]

[11] Patent Number: **Des. 336,319**

Wenzel

[45] Date of Patent: **** Jun. 8, 1993**

[54] PUZZLE KEEPER

[76] Inventor: **Gregory A. Wenzel**, 1294 N. Fenmore Rd., Merrill, Mich. 48637

[**] Term: **14 Years**

[21] Appl. No.: **564,975**

[22] Filed: **Aug. 9, 1990**

[52] U.S. Cl. **D21/104**

[58] Field of Search **D21/104-107;**
D3/30.1, 66, 74, 99; 273/153 R, 157 R; 428/33

[56] References Cited

U.S. PATENT DOCUMENTS

D. 328,390 8/1992 MacDonald et al. **D21/104 X**

OTHER PUBLICATIONS

The Great International Puzzle Store Catalog; 1984; p. 15; #Q The Puzzle Caddy.

Primary Examiner—Bernard Ansher
Assistant Examiner—Dominic Simone
Attorney, Agent, or Firm—Leon Gilden

[57] CLAIM

The ornamental design for a puzzle keeper, as shown and described.

DESCRIPTION

FIG. 1 is a front elevational view of the puzzle keeper showing my new design;
FIG. 2 is a rear elevational view thereof;
FIG. 3 is a left side elevational view thereof;
FIG. 4 is a right side elevational view thereof;
FIG. 5 is a top plan view thereof;
FIG. 6 is a bottom plan view thereof; and,
FIG. 7 is a perspective view thereof.

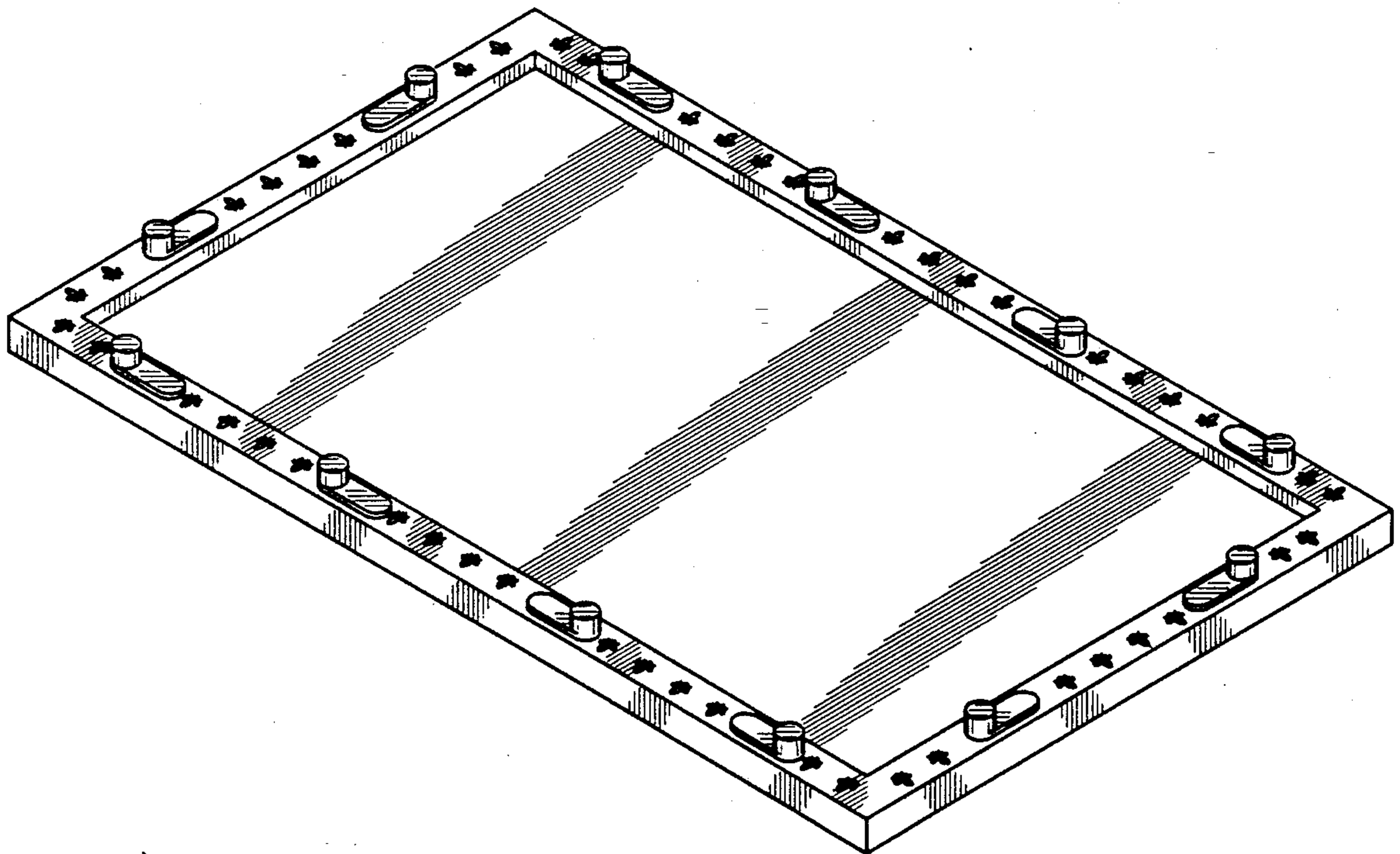


FIG. 1

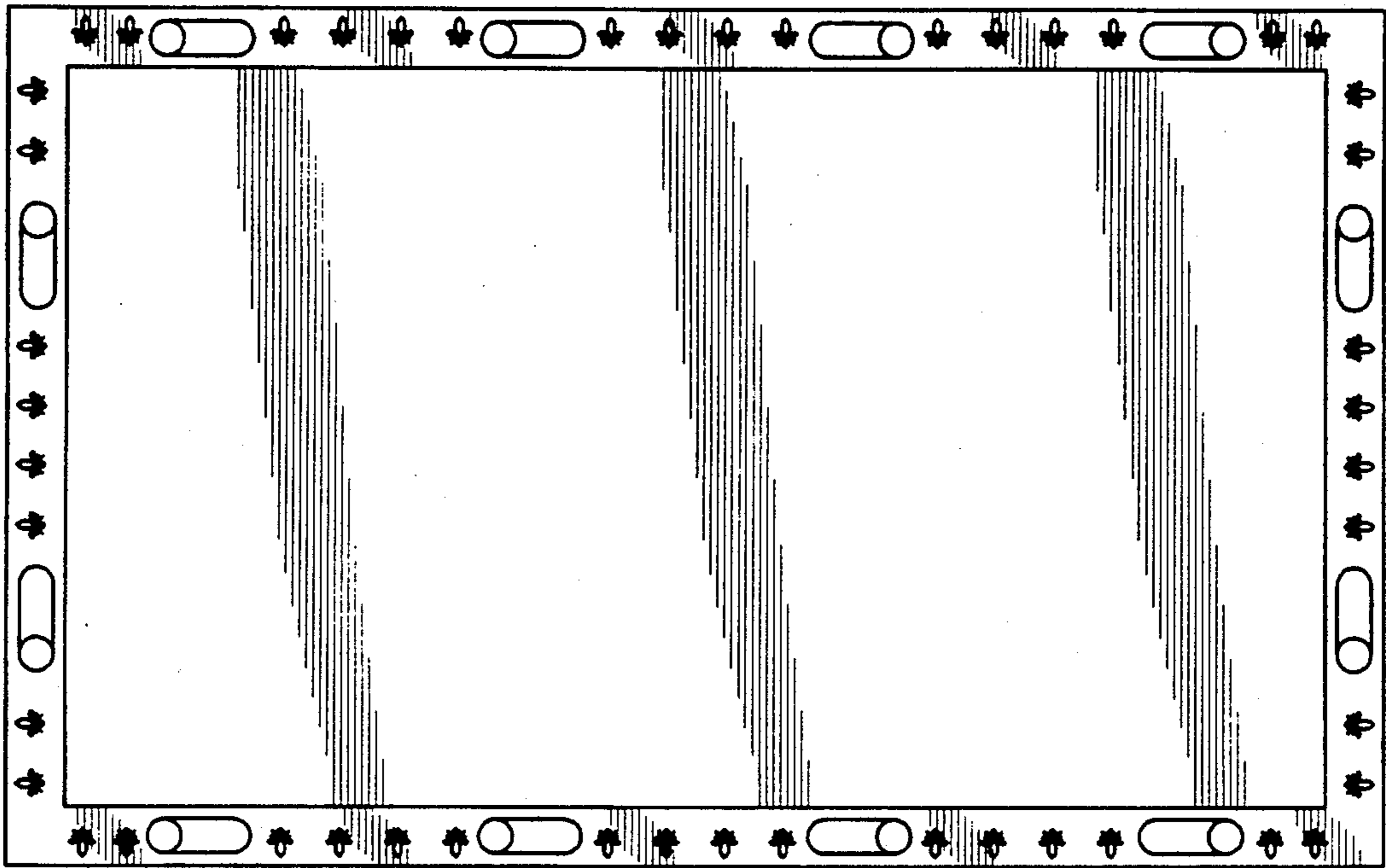


FIG. 2

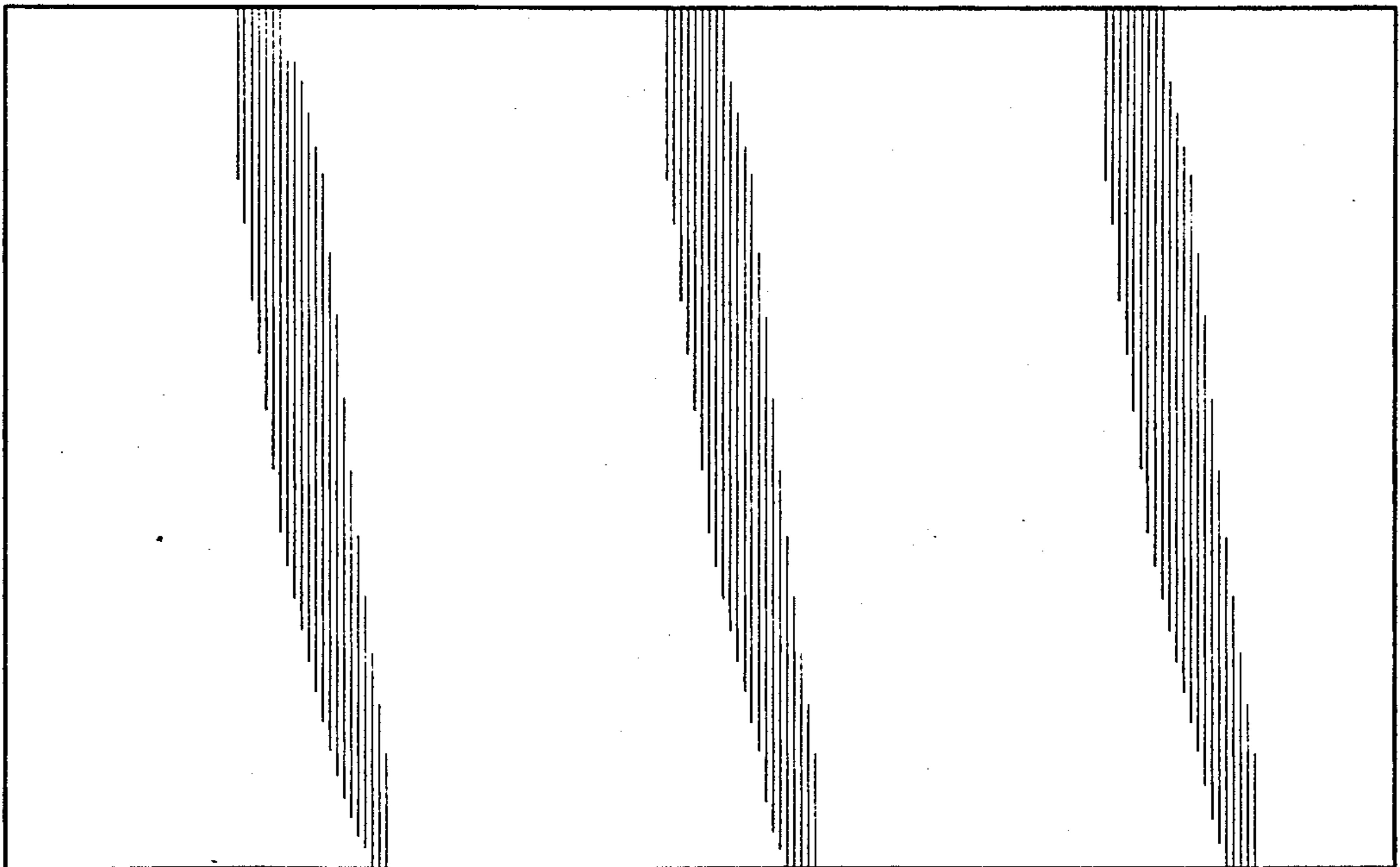


FIG. 3



FIG. 4



FIG. 5

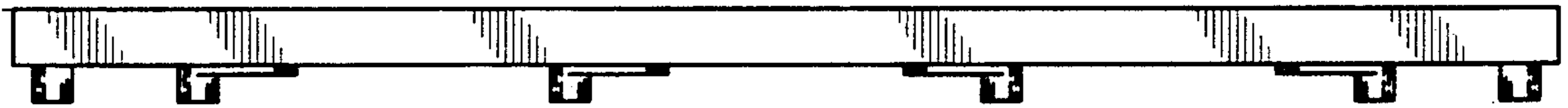


FIG. 6



FIG. 7

