



US00D336317S

United States Patent [19]

[11] Patent Number: **Des. 336,317**

Thomson et al.

[45] Date of Patent: **** Jun. 8, 1993**

[54] TOY BALL

[56]

References Cited

[75] Inventors: **Harry S. Thomson, Richmond; David M. Raffo, Gildern sutton; John A. Pape; Shaun M. Woodward, both of Hitchin, all of United Kingdom**

U.S. PATENT DOCUMENTS

D. 046,969	2/1915	Sametz	D21/65
D. 214,928	8/1969	Swett	D21/59 X
D. 287,988	1/1987	Billinghurst	D21/204
D. 314,598	2/1991	Capper et al.	D21/204
4,645,471	2/1987	Herring et al.	446/431 X

[73] Assignee: **Kiddicraft Limited, Berkshire, United Kingdom**

Primary Examiner—Bernard Ansher
Assistant Examiner—Dominic Simone

[**] Term: **14 Years**

[57]

CLAIM

[21] Appl. No.: **728,084**

The ornamental design for a toy ball, as shown and described.

[22] Filed: **Jul. 10, 1991**

DESCRIPTION

[30] Foreign Application Priority Data

Jan. 11, 1991 [GB] United Kingdom 2012290

[52] U.S. Cl. **D21/59; D21/64**

[58] Field of Search **D21/59, 64, 65, 89, D21/92, 204; 446/397, 409, 431**

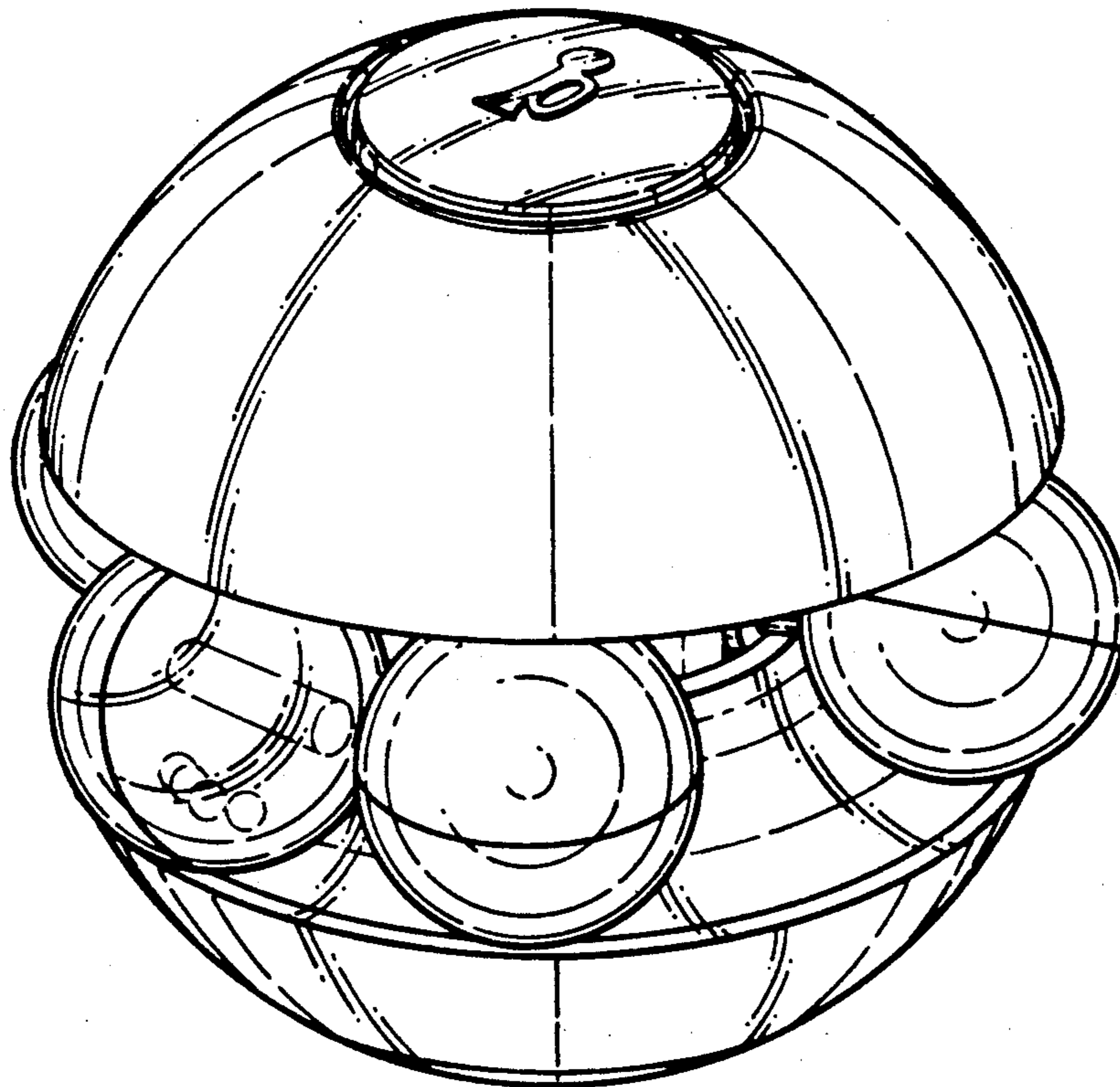
FIG. 1 is a front elevational view of a toy ball showing our new design;

FIG. 2 is a rear elevational view thereof;

FIG. 3 is a top plan view thereof;

FIG. 4 is a bottom plan view thereof; and,

FIG. 5 is a perspective view thereof.



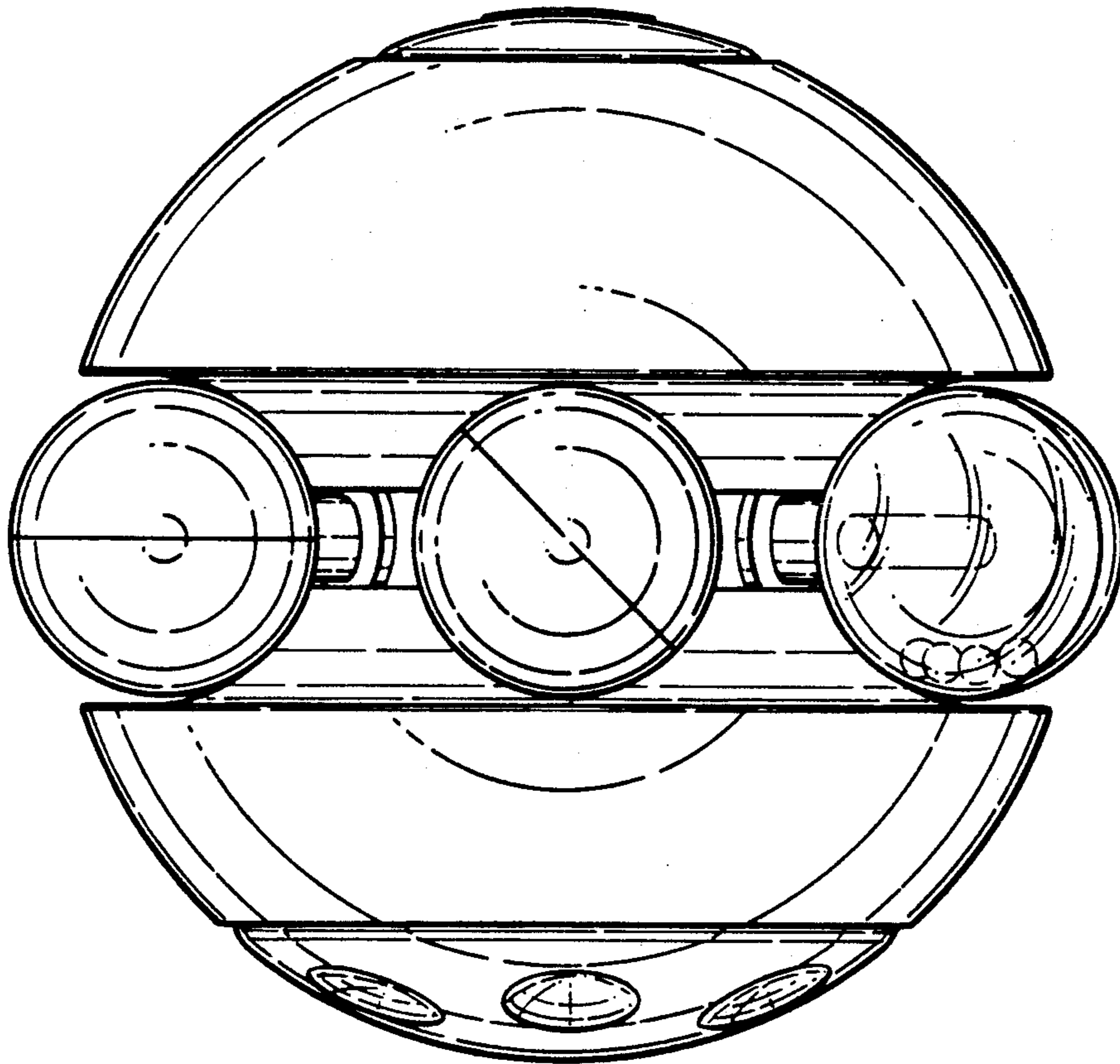


FIG. 1

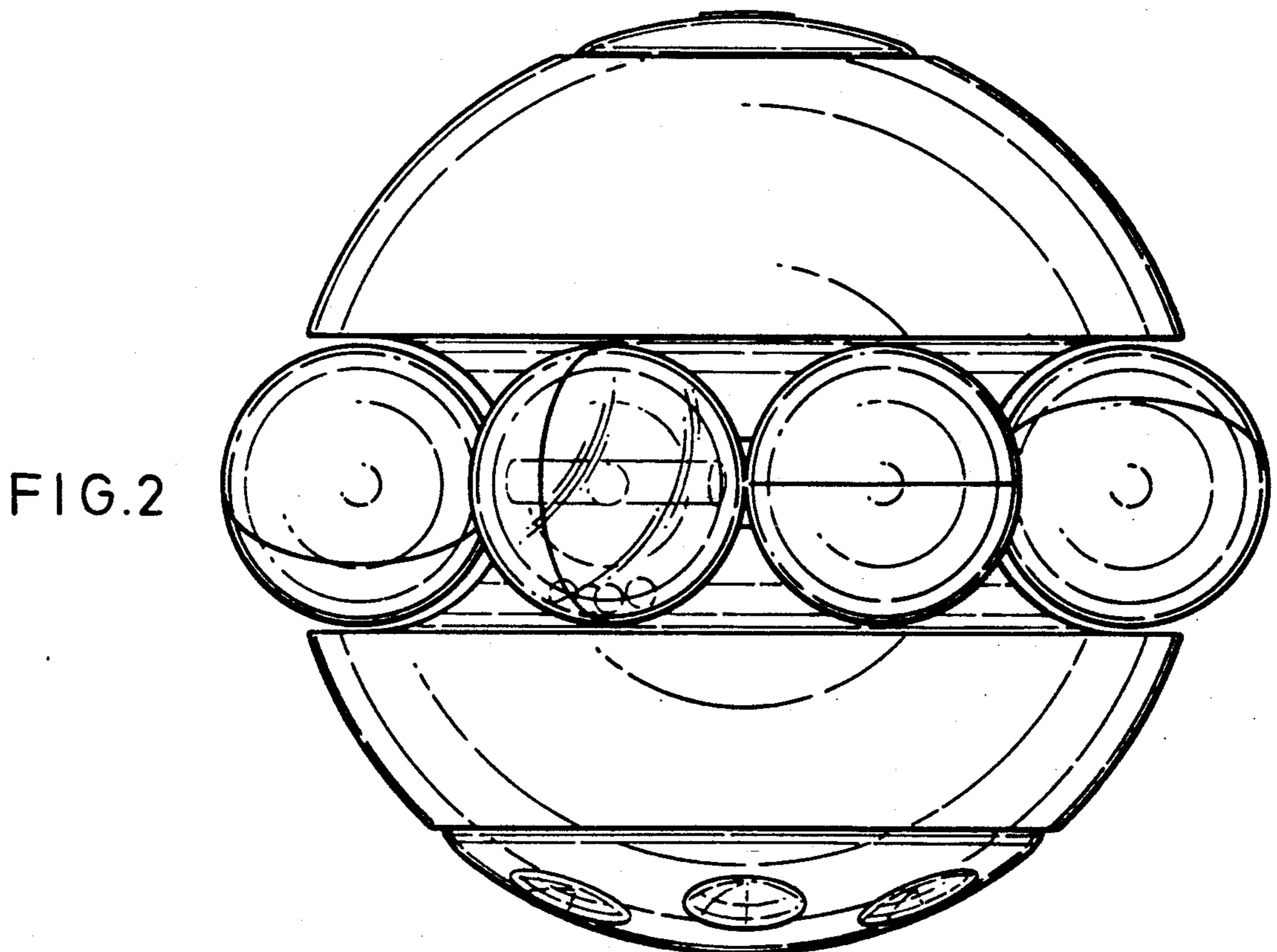


FIG. 2

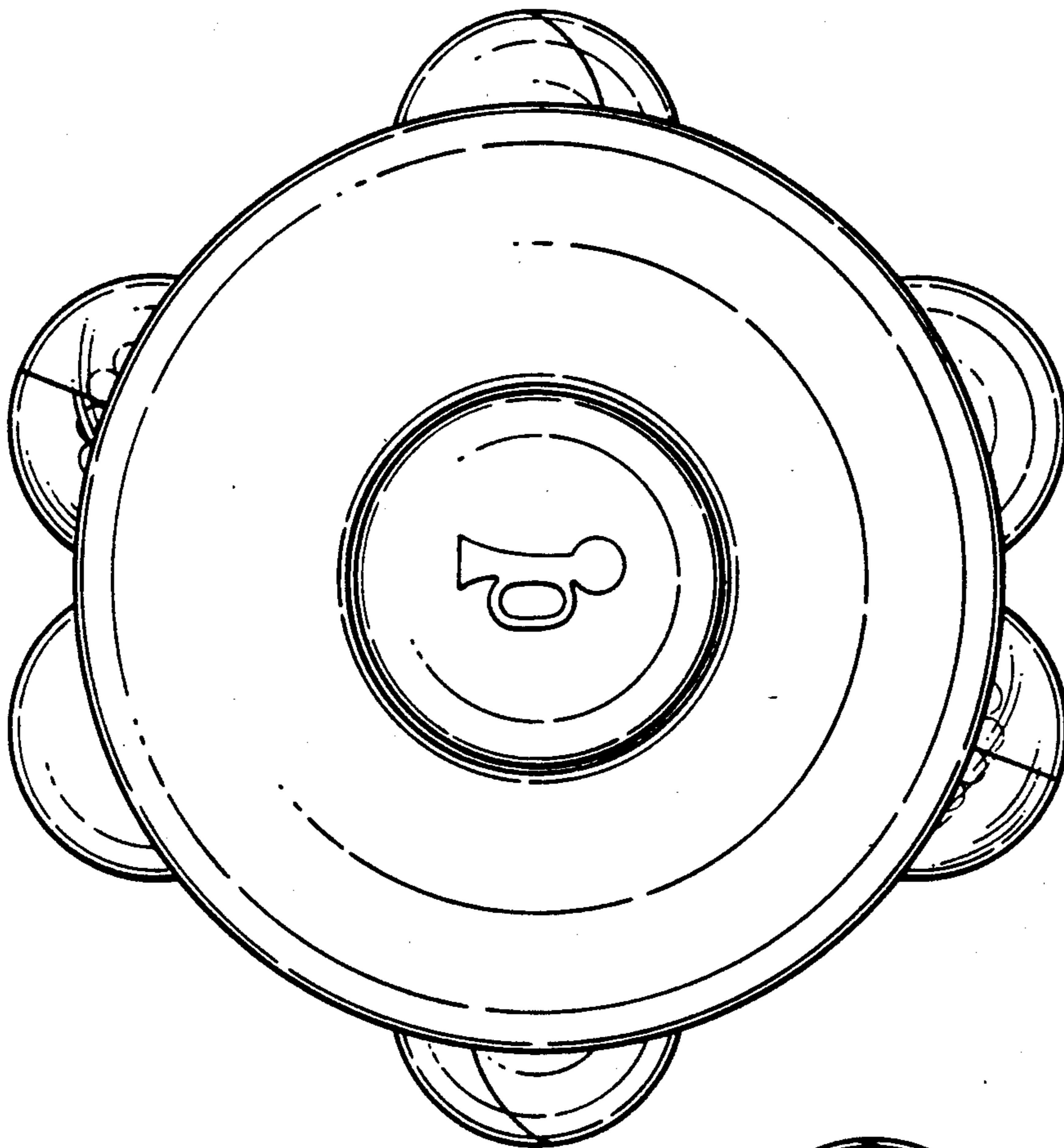


FIG. 3

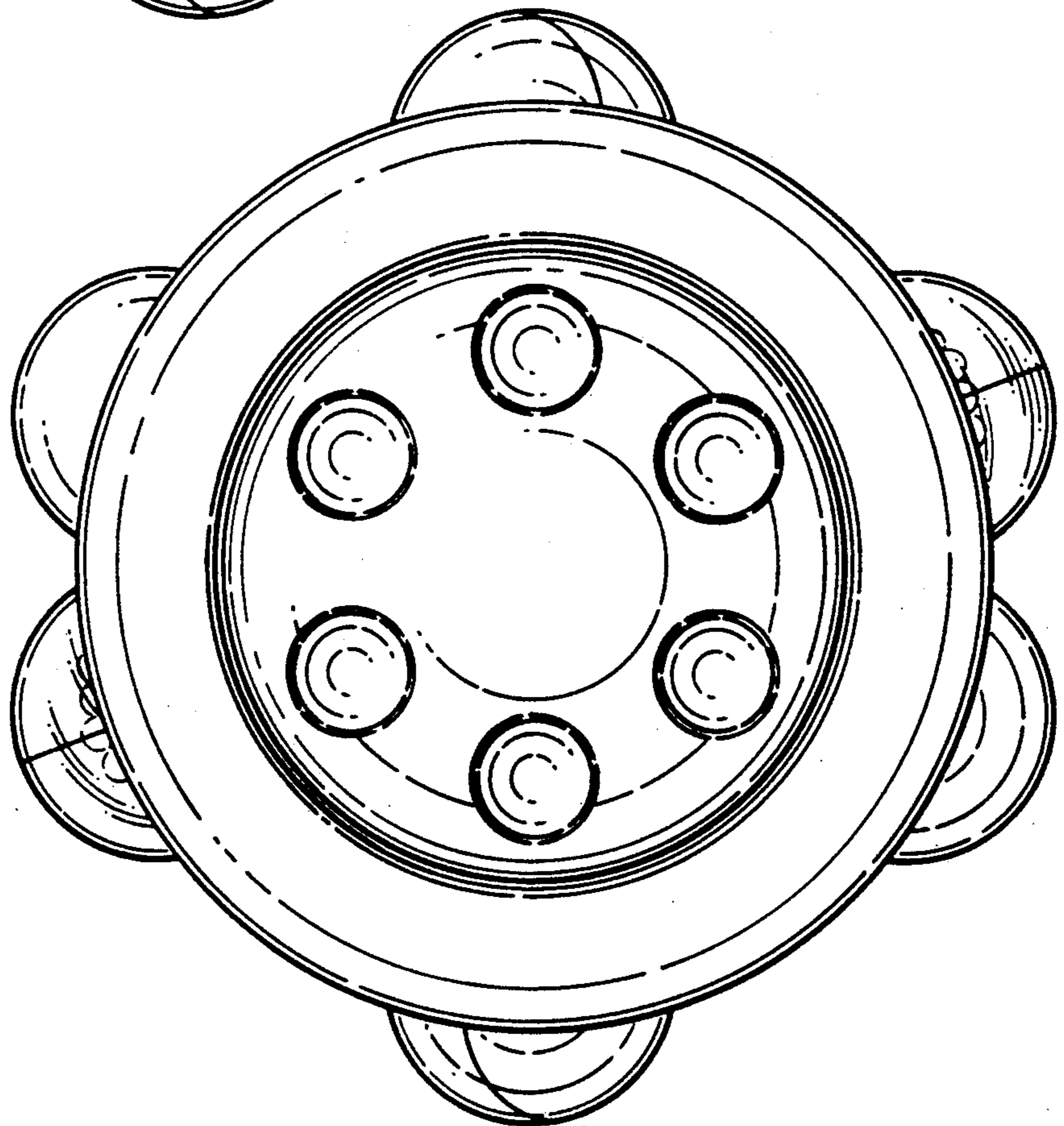


FIG. 4

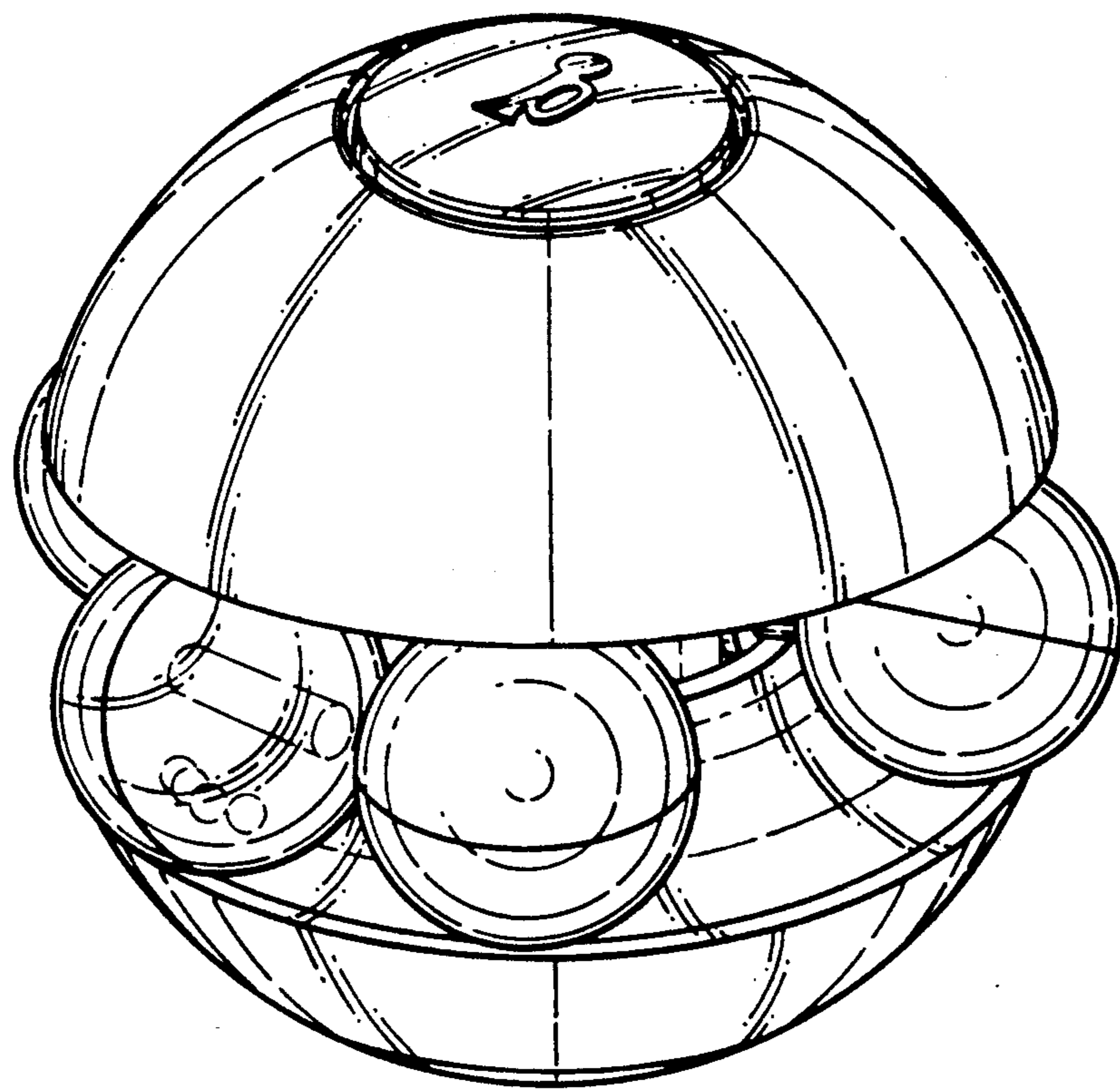


FIG. 5