



US00D336316S

# United States Patent [19]

Pang et al.

[11] Patent Number: **Des. 336,316**

[45] Date of Patent: **\*\* Jun. 8, 1993**

[54] **TOY MOTORCYCLE**

[75] Inventors: **Chan Pang, Kowloon; Cheung W. Keung, Hong Kong, both of Hong Kong**

[73] Assignee: **Wang Shing Plastic Factory Ltd., Hong Kong**

[\*\*] Term: **14 Years**

[21] Appl. No.: **663,693**

[22] Filed: **Mar. 4, 1991**

[52] U.S. Cl. .... **D21/80**

[58] Field of Search ..... **D21/71, 76, 80, 81, D21/121, 128, 132, 134, 137, 139, 140, 141, 159; D12/88, 135, 211; D6/300; D34/12; 446/425, 424, 426, 440, 456, 457, 444, 455, 465, 470, 471; 280/87.042, 47.31, 47.26, 87.041, 47.27, 30, 206; 180/180**

[56] **References Cited**

**U.S. PATENT DOCUMENTS**

D. 219,608 12/1970 Carver ..... D21/76  
D. 267,101 11/1982 Goldfarb ..... D21/81

D. 276,059 10/1984 Smollar ..... D21/134  
D. 277,771 2/1985 Takeuchi ..... D21/81  
D. 292,009 9/1987 Harrod ..... D21/76  
D. 307,610 5/1990 Harrod ..... D21/81

**OTHER PUBLICATIONS**

Tomy Toy Catalog 1984 p. 58 #5016.  
Tomy Toy Catalog 1984 p. 15 #6004.

*Primary Examiner*—Bernard Ansher  
*Assistant Examiner*—R. Barkai  
*Attorney, Agent, or Firm*—Koppel & Jacobs

[57] **CLAIM**

The ornamental design for a toy motorcycle, as shown and described.

**DESCRIPTION**

FIG. 1 is a front elevational view of a toy motorcycle showing our new design;  
FIG. 2 is a rear elevational view thereof;  
FIG. 3 is a left side elevational view thereof;  
FIG. 4 is a right side elevational view thereof;  
FIG. 5 is a top plan view thereof;  
FIG. 6 is a bottom plan view thereof; and,  
FIG. 7 is a perspective view thereof.

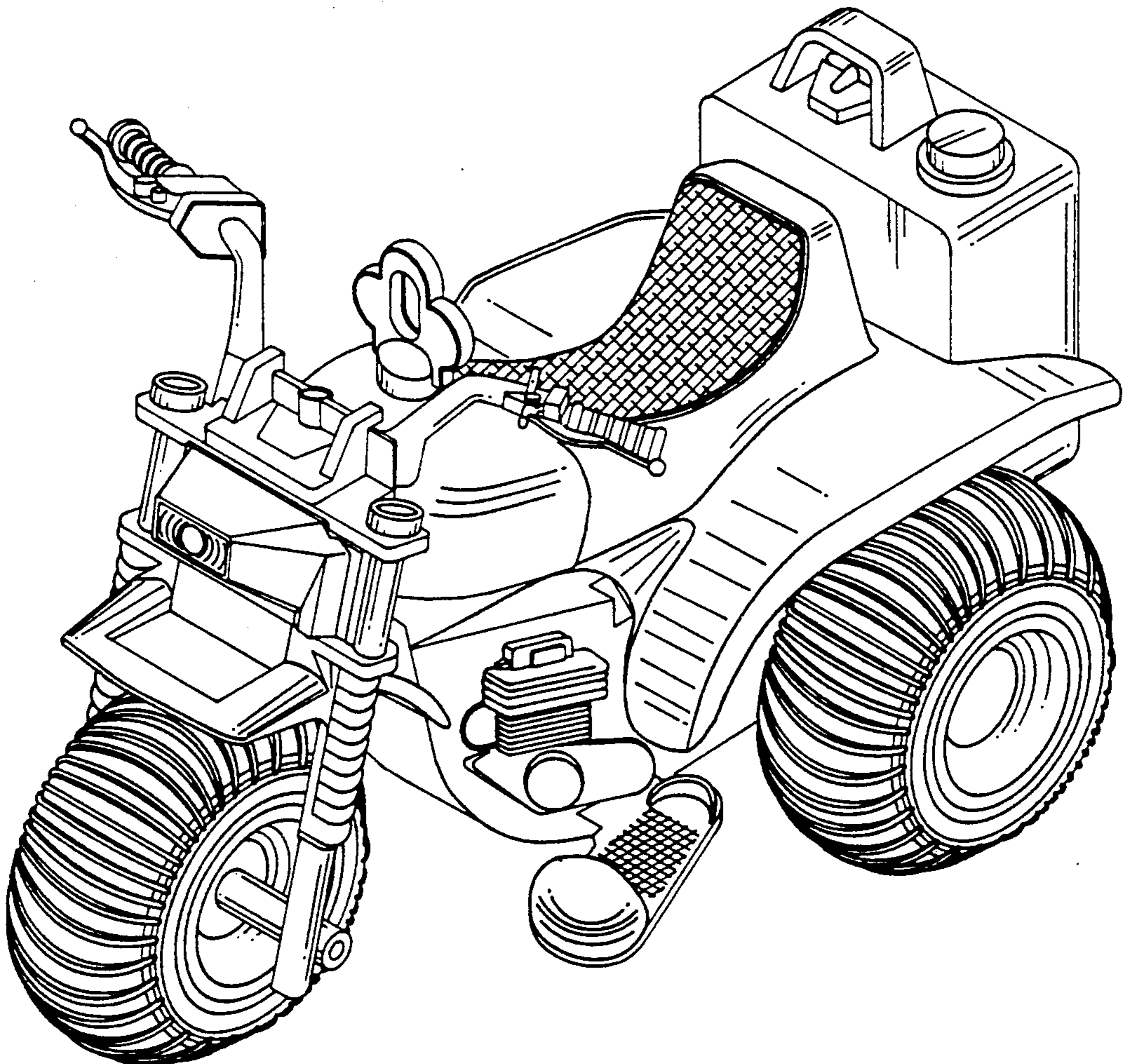


FIG. 1

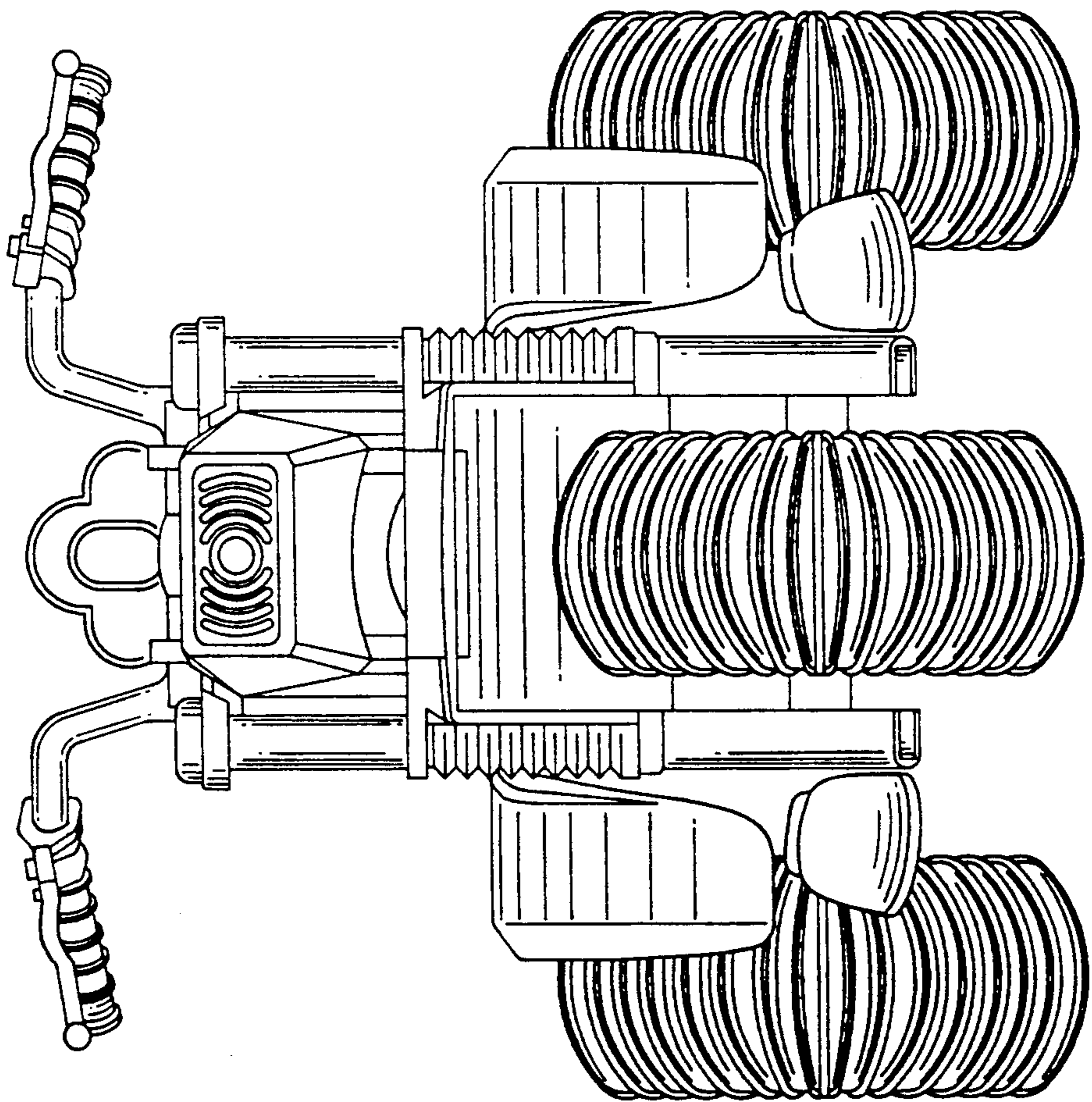
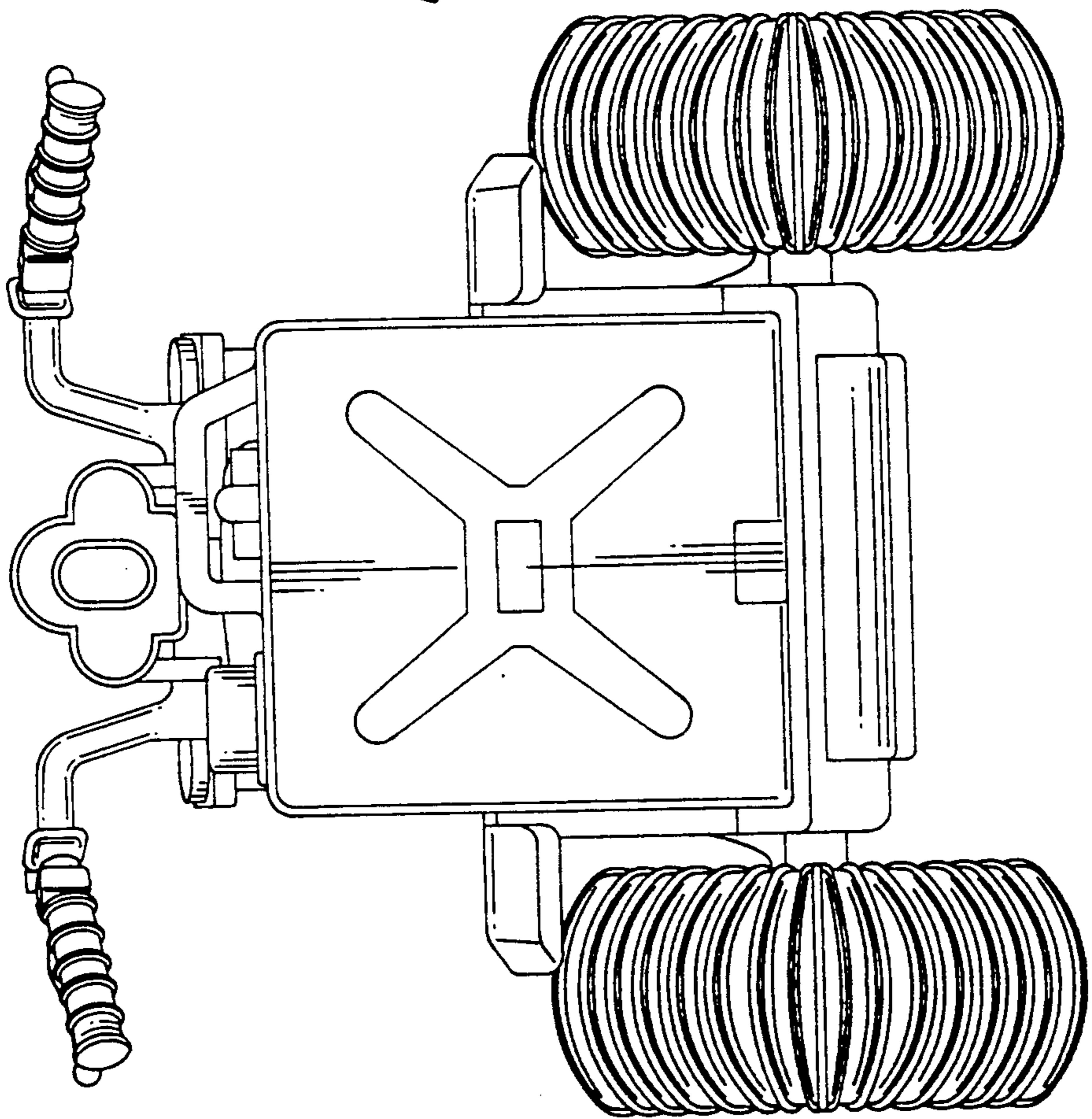


FIG. 2



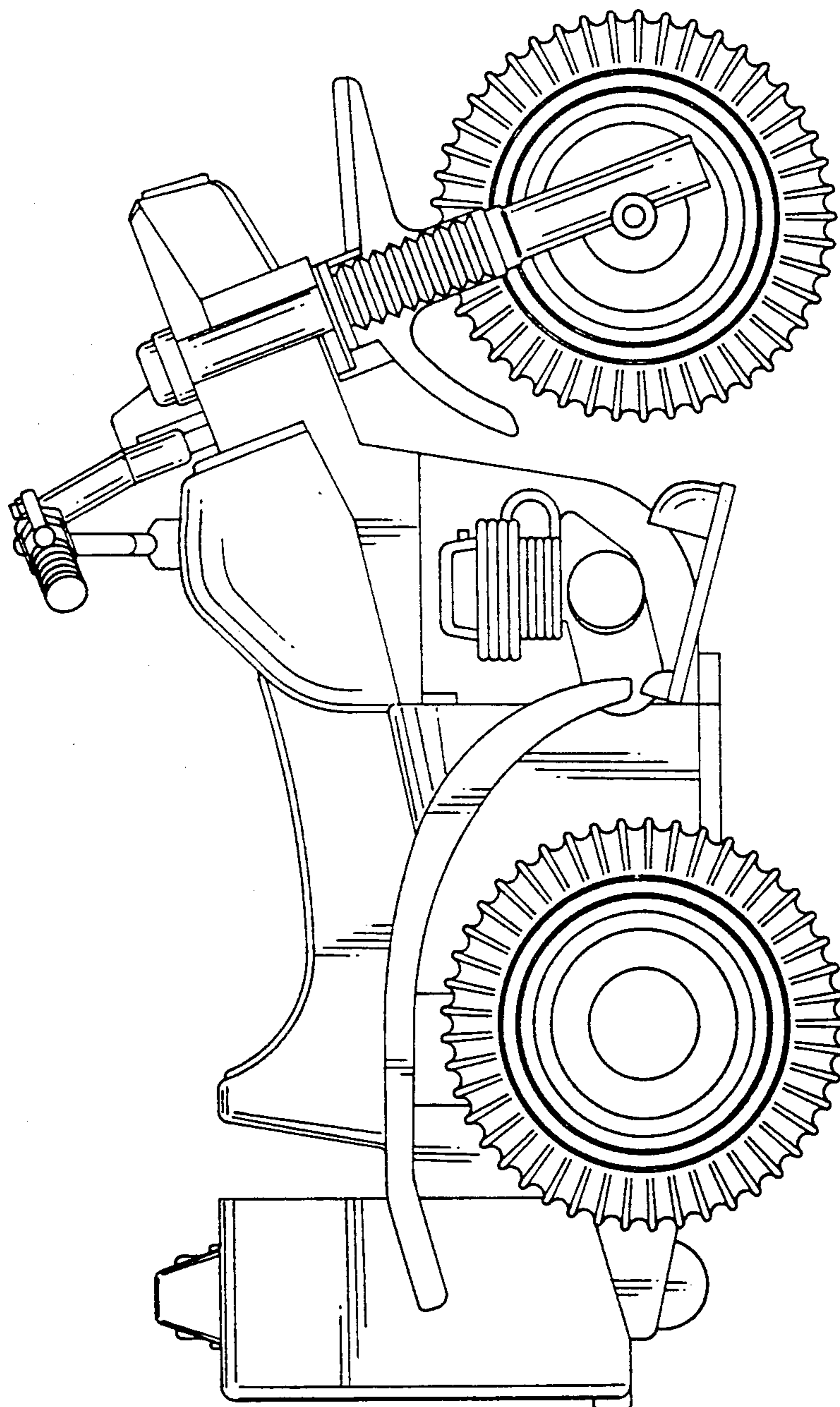


FIG. 3

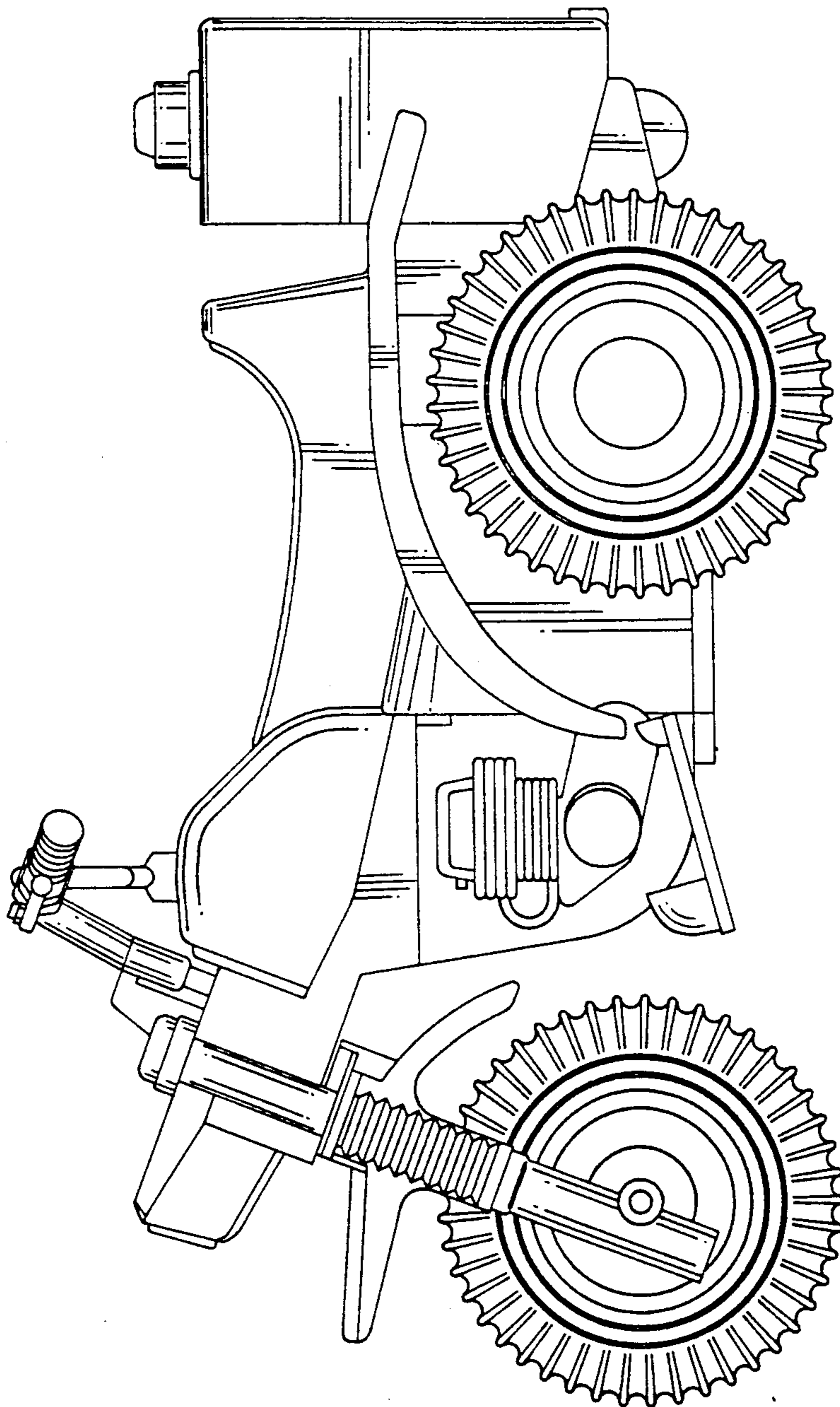


FIG. 4

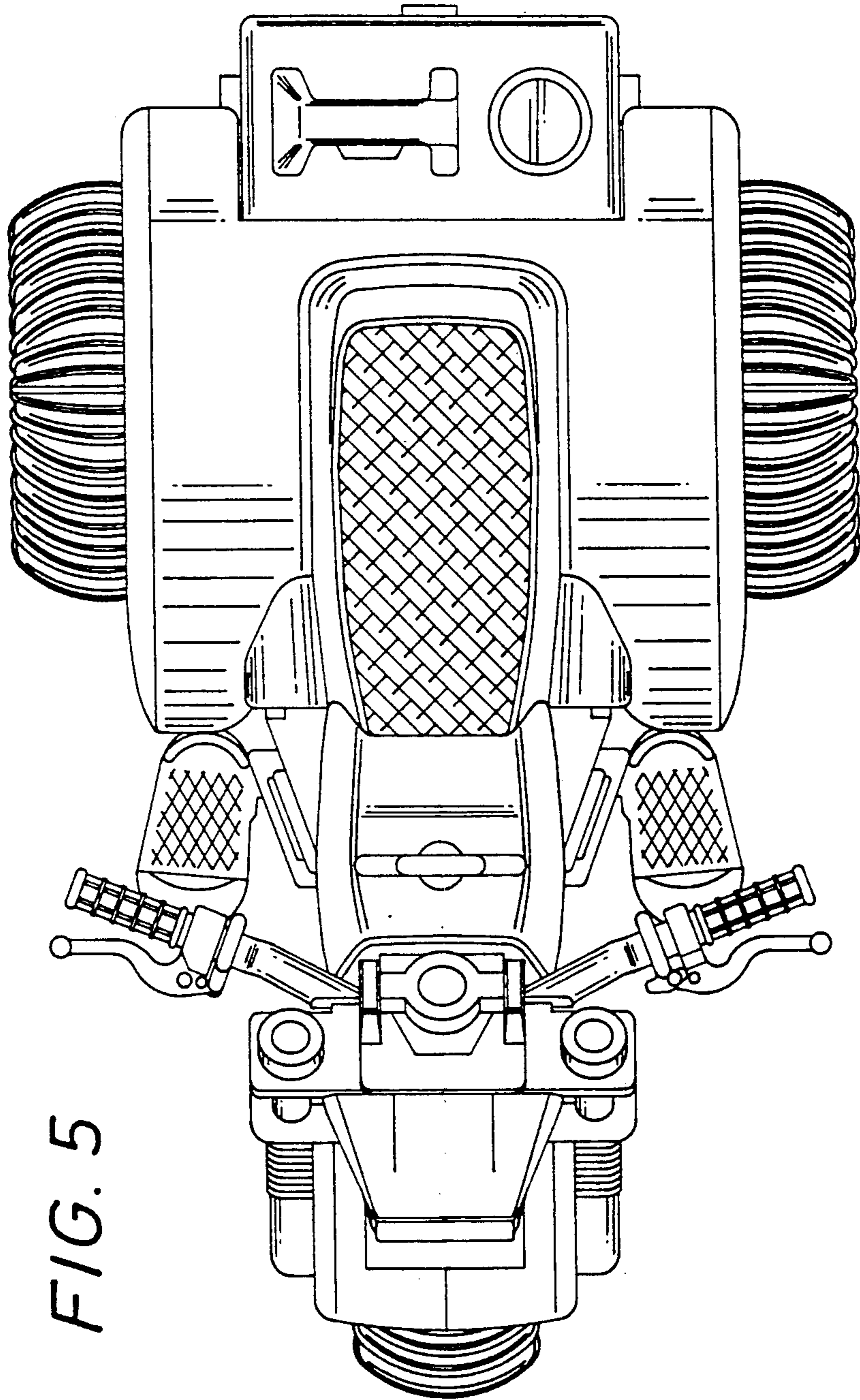


FIG. 5

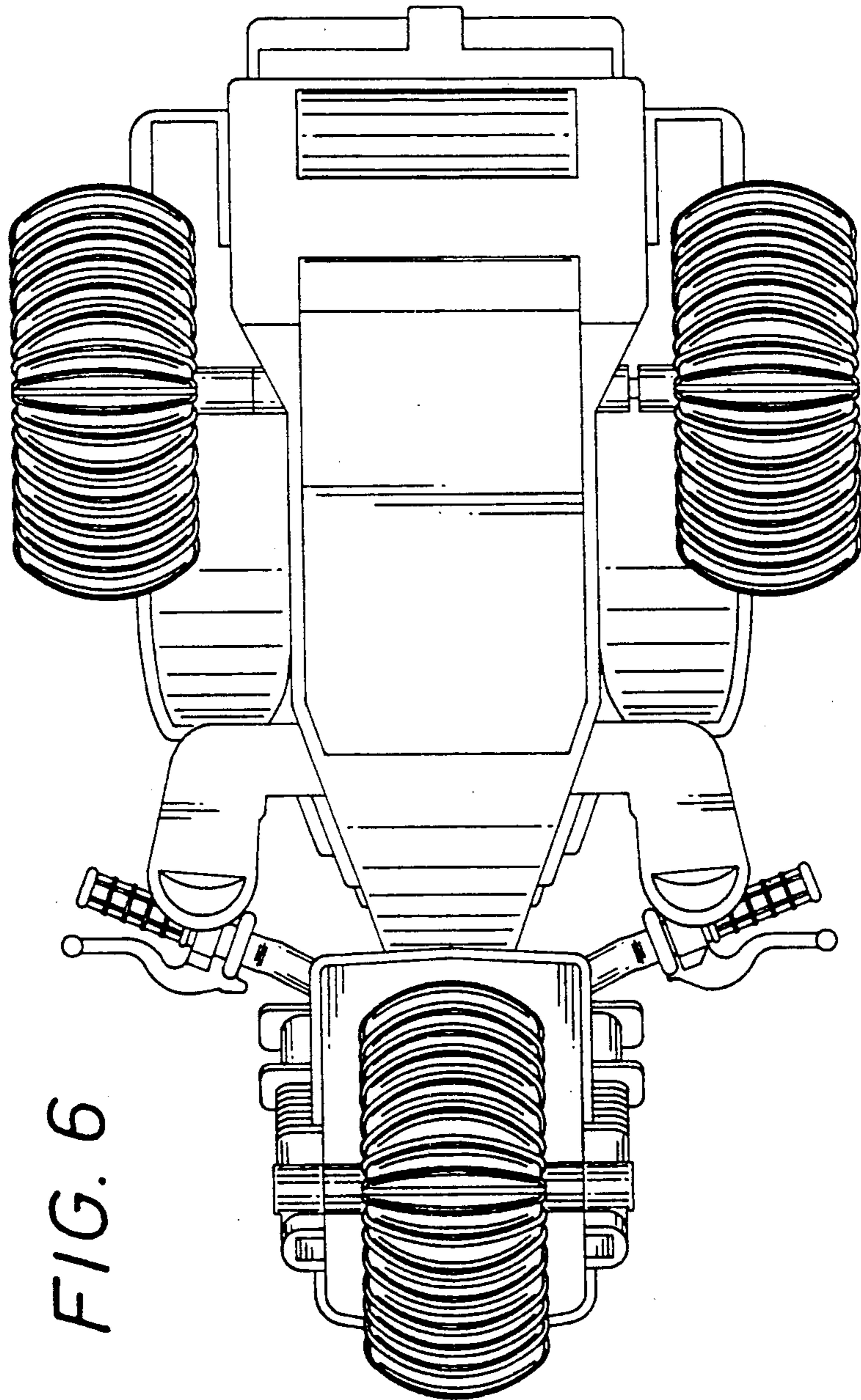


FIG. 6

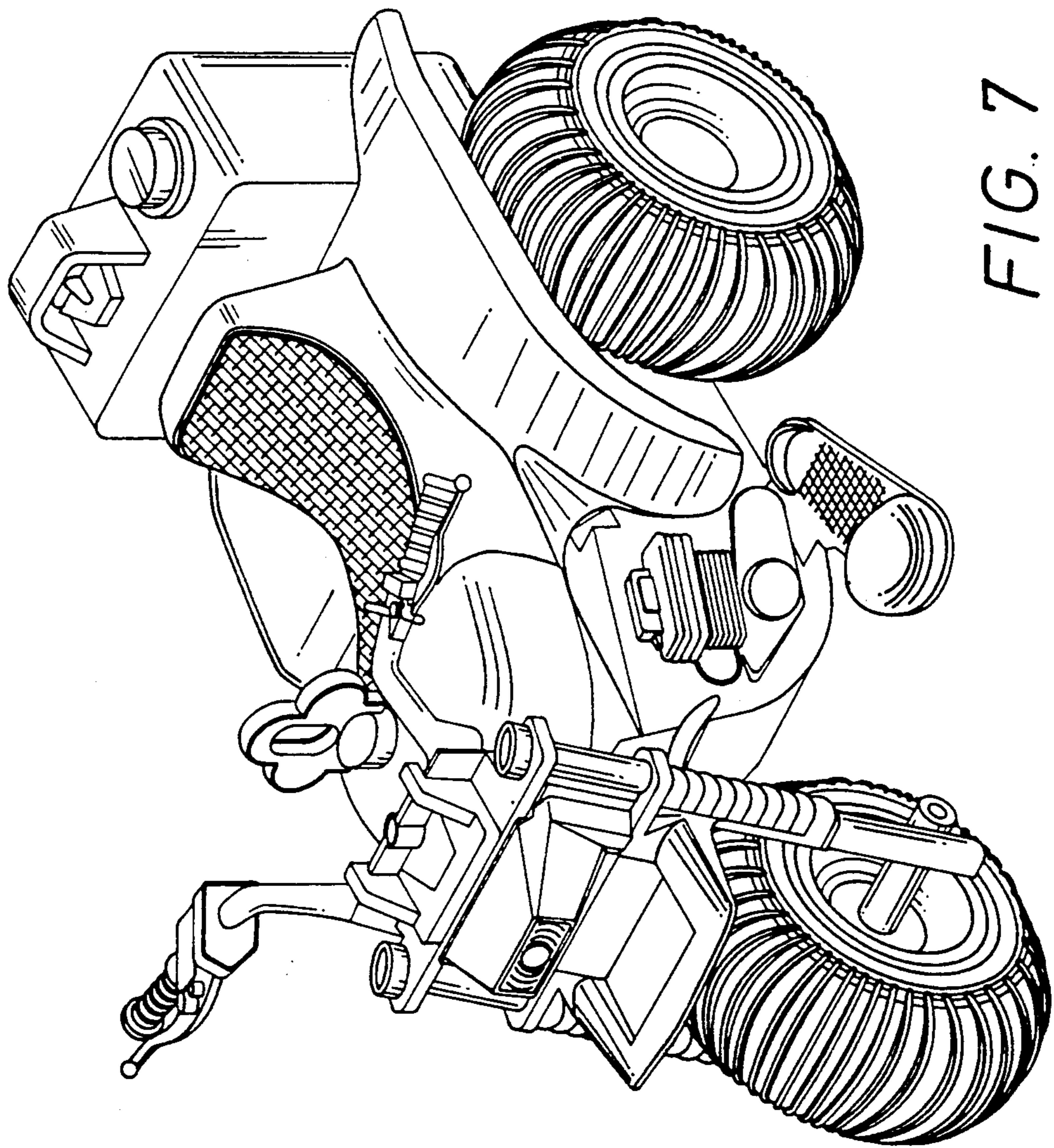


FIG. 7