



US00D336315S

**United States Patent** [19]  
**Kitaue**

[11] **Patent Number: Des. 336,315**  
[45] **Date of Patent: \*\* Jun. 8, 1993**

- [54] **ELECTRONIC GAME HOUSING**
- [75] **Inventor: Kazumi Kitaue, Saitama, Japan**
- [73] **Assignee: Konami Co. Ltd., Japan**
- [\*\*] **Term: 14 Years**
- [21] **Appl. No.: 857,801**
- [22] **Filed: Mar. 26, 1992**
- [52] **U.S. Cl. .... D21/13**
- [58] **Field of Search ..... D21/13, 1, 48;**  
273/148 B, 433-438, DIG. 28; D14/126, 124

[56] **References Cited**

**U.S. PATENT DOCUMENTS**

- D. 258,673 3/1981 McHose .
- D. 262,122 12/1981 Lovejoy .
- D. 264,231 5/1982 Tsuyuki .
- D. 266,775 11/1982 Hanzawa .
- D. 272,921 3/1984 Kim ..... D21/48
- D. 287,145 12/1986 Shilton et al. .
- D. 309,161 7/1990 Leung ..... D21/13
- D. 310,390 9/1990 Besasie .
- D. 320,624 10/1991 Taylor ..... D21/13
- D. 322,098 12/1991 Kitaue .
- D. 328,474 8/1992 Chen ..... D21/13
- D. 332,804 1/1993 Li ..... D21/13
- 4,403,216 9/1983 Yokoi .
- 4,403,777 9/1983 Del Principe et al. .
- 4,424,967 1/1984 Yokoi et al. .
- 4,687,200 8/1987 Shirai ..... 273/438
- 5,161,803 11/1992 Ohara ..... 273/434

**OTHER PUBLICATIONS**

Playthings, Apr.-1980, p. 52.  
 Hong Kong Enterprise, Feb.-1984, p. 92.  
 Sears Catalog, front page, 1980.  
 Hong Kong Enterprise, p. 437, Aug. 1981.  
 Plaything, p. 8, Apr. 1980.  
 Xerographic copies of the three hand-holdable LCD game devices and associated sales packaging manufactured by Tiger Electronic Toys, Inc., Vernon Hills, Ill., as its Model Nos. 7-740 (Electronic Football), 7-741 (Electronic Baseball) and 7-480 (Double Dragon), respectively. All three are believed to have been published in the U.S. in 1988.

*Primary Examiner*—Bernard Ansher  
*Assistant Examiner*—Prabhakar Deshmukh  
*Attorney, Agent, or Firm*—Welsh & Katz, Ltd.

[57] **CLAIM**

The ornamental design for a electronic game housing, as shown and described.

**DESCRIPTION**

FIG. 1 is a perspective view of an electronic game housing showing my new design;  
 FIG. 2 is a top plan view thereof;  
 FIG. 3 is a front elevational view thereof;  
 FIG. 4 is a bottom plan view thereof;  
 FIG. 5 is a rear elevational view thereof;  
 FIG. 6 is a right side elevational view thereof; and,  
 FIG. 7 is a left side elevational view thereof.

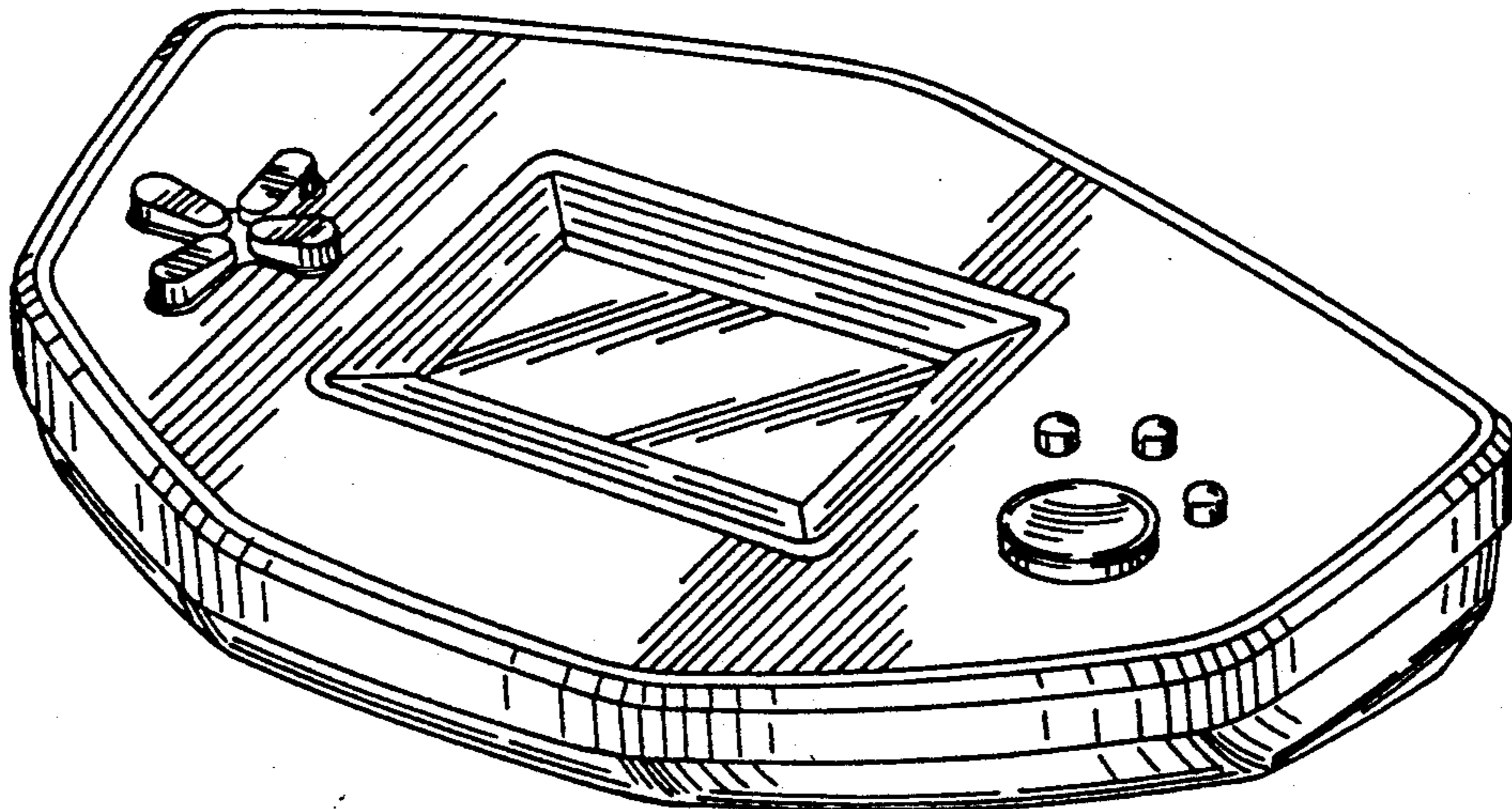


FIG. 1

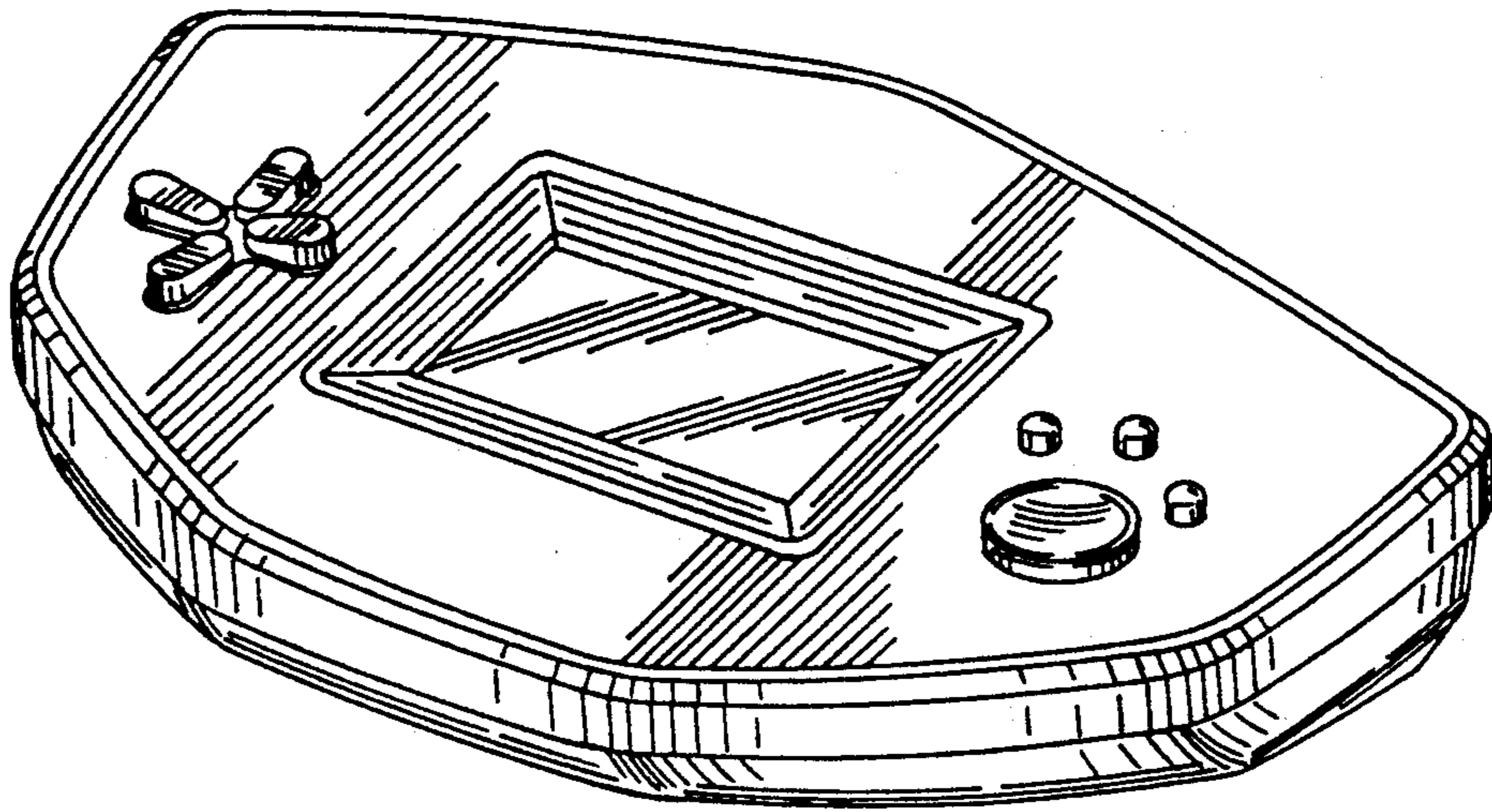


FIG. 2

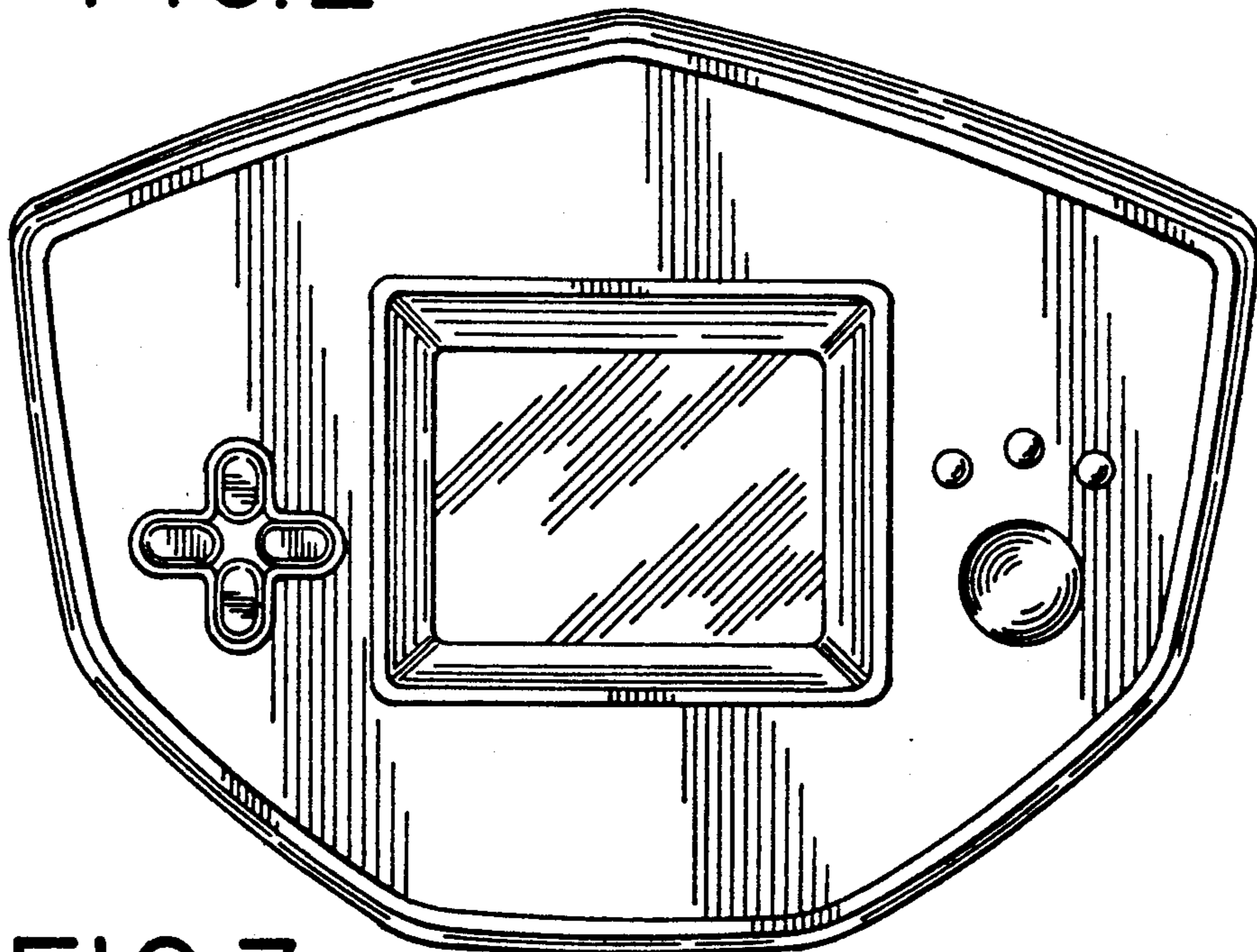


FIG. 3

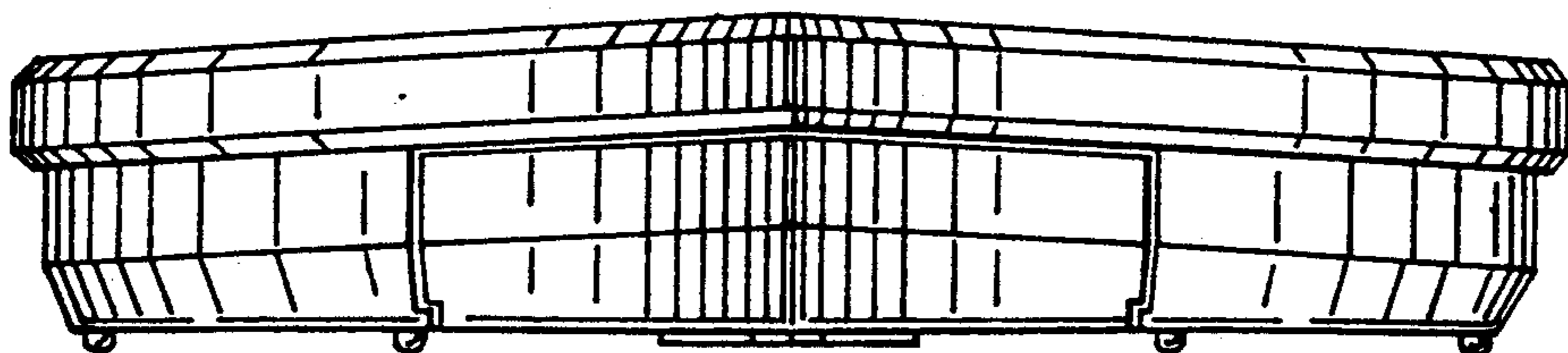


FIG.4

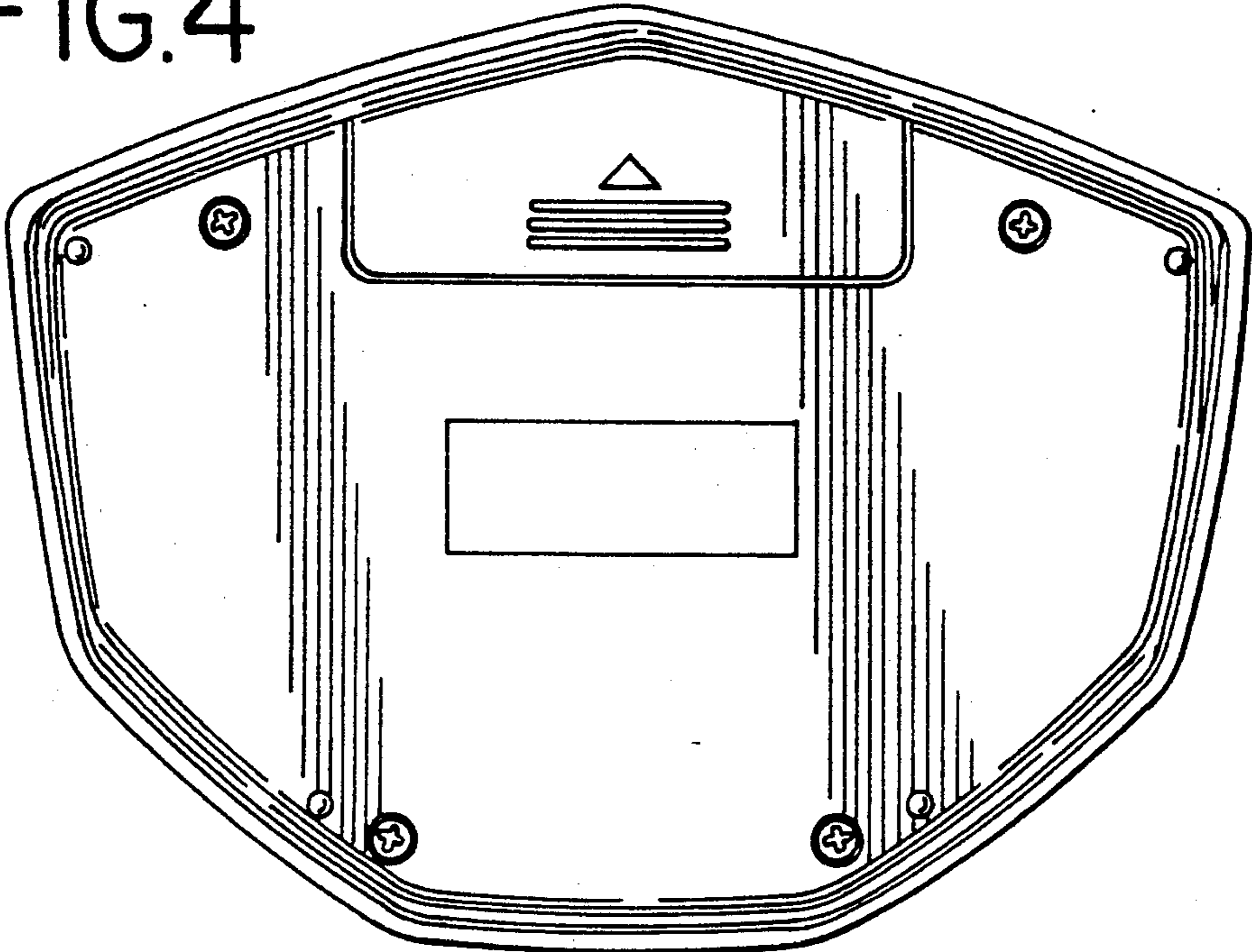


FIG.5

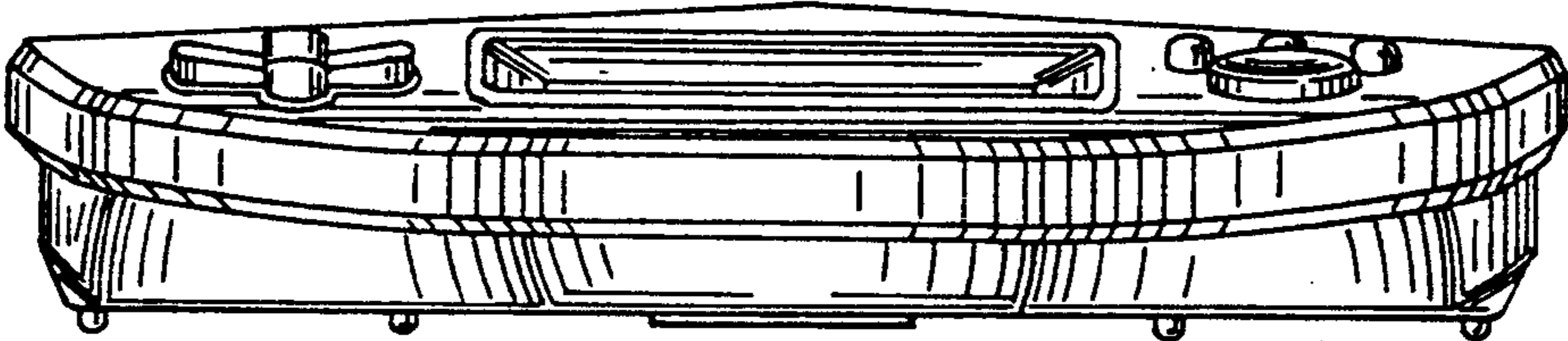


FIG.6

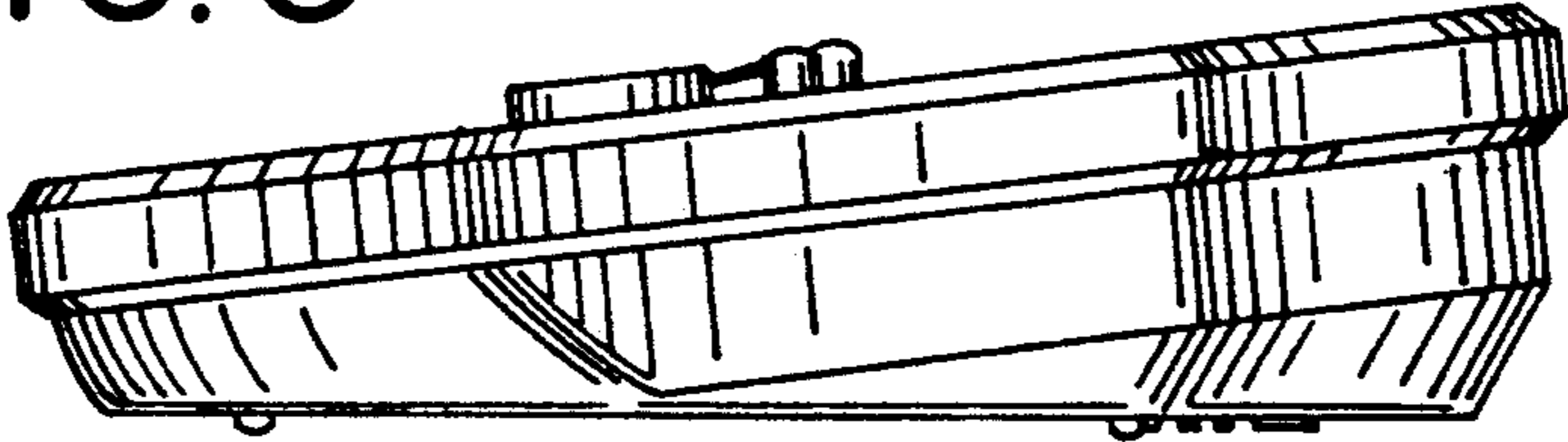


FIG.7

