



US00D336309S

United States Patent [19]

[11] Patent Number: **Des. 336,309**

Forrester, Jr.

[45] Date of Patent: **** Jun. 8, 1993**

[54] **COMBINED VIDEO CAMERA AND BUILT-IN AUDIO MIXING**

OTHER PUBLICATIONS

[75] Inventor: **Mitchell L. Forrester, Jr., Baltimore, Md.**

Video Review, Dec. 1986 p. 68 (Sony's CCD-V110 Camcorder).

Video Review, 1988, p. 54 (Sony's CCD-V220 Camcorder).

[73] Assignees: **John M. Blazek; John R. Tipton, Jr.; Leonard Bloom, all of Baltimore, Md.**

Primary Examiner—Bernard Ansher
Assistant Examiner—Adir Aronovich
Attorney, Agent, or Firm—Leonard Bloom

[**] Term: **14 Years**

[57] CLAIM

[21] Appl. No.: **652,916**

The ornamental design for a combined video camera and built-in audio mixing, as shown and described.

[22] Filed: **Feb. 8, 1991**

DESCRIPTION

[52] U.S. Cl. **D16/202**

FIG. 1 is a top front and right side perspective view of a combined video camera and built-in audio mixing showing my new design;

[58] Field of Search **D16/200-206,**

D16/208; 352/34, 242, 243; 354/82, 293; 358/229, 906

FIG. 2 is a left side perspective view thereof;

FIG. 3 is a front elevational view thereof;

FIG. 4 is a top plan view thereof;

FIG. 5 is a right side elevational view thereof shown at a reduced scale;

FIG. 6 is a rear elevational view thereof;

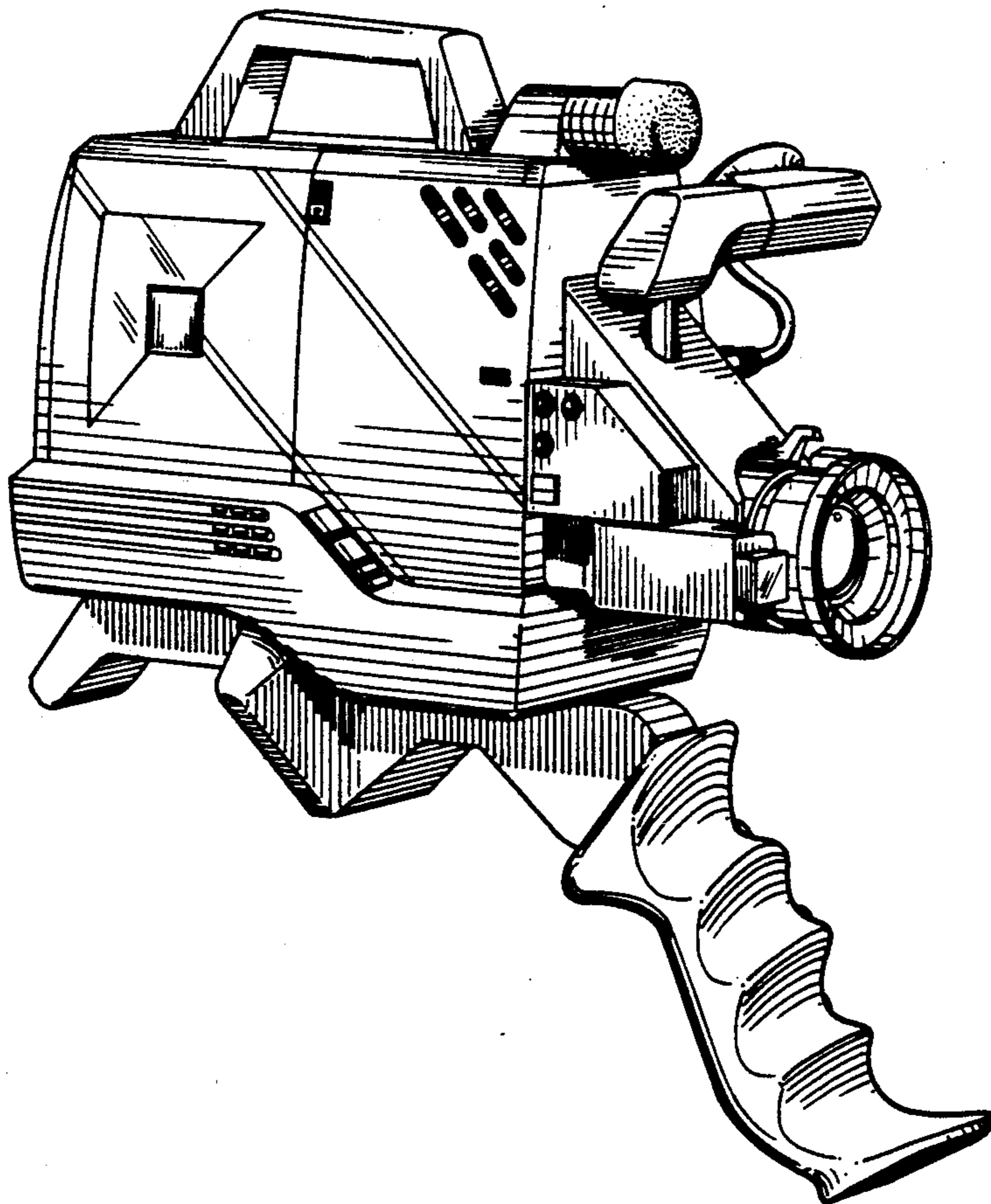
FIG. 7 is a bottom plan view thereof; and,

FIG. 8 is a left side elevational view thereof shown at a reduced scale.

[56] References Cited

U.S. PATENT DOCUMENTS

D. 260,647	9/1981	Saeki et al.	D16/202
D. 260,894	9/1981	Ellermeier	D16/202
D. 319,247	8/1991	Forrester, Jr.	D16/202
4,809,079	2/1989	Blazek et al.	358/906



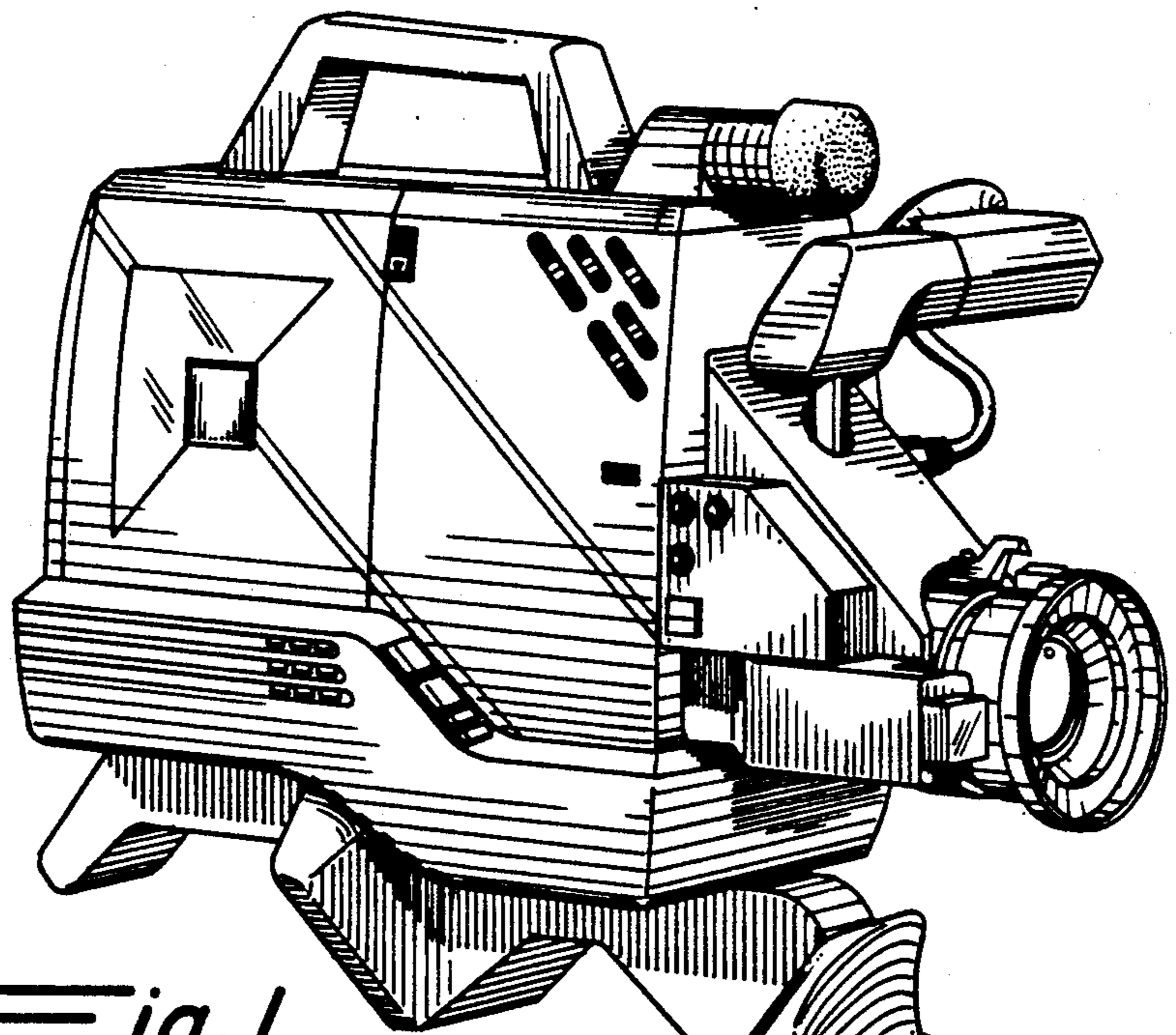


Fig. 1

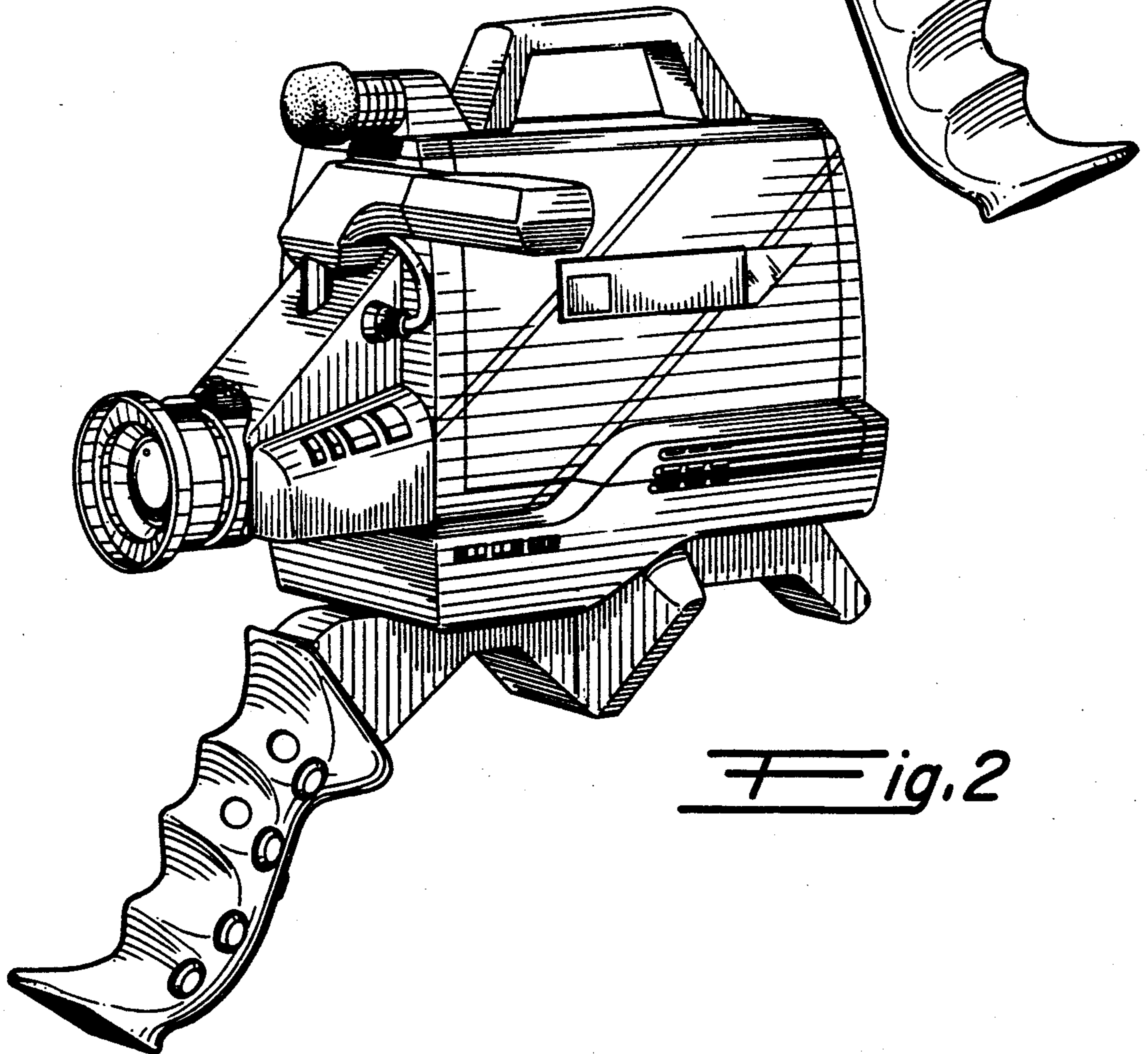


Fig. 2

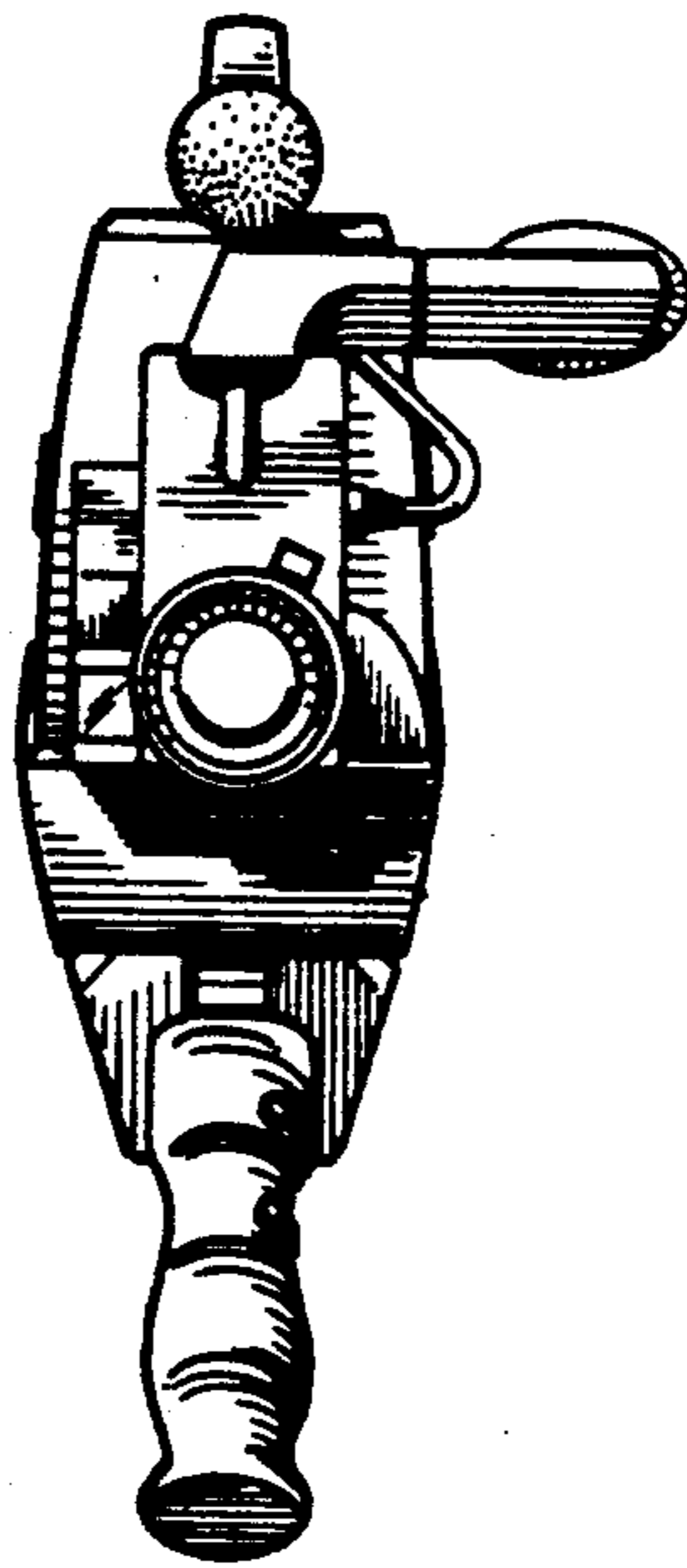


Fig. 3

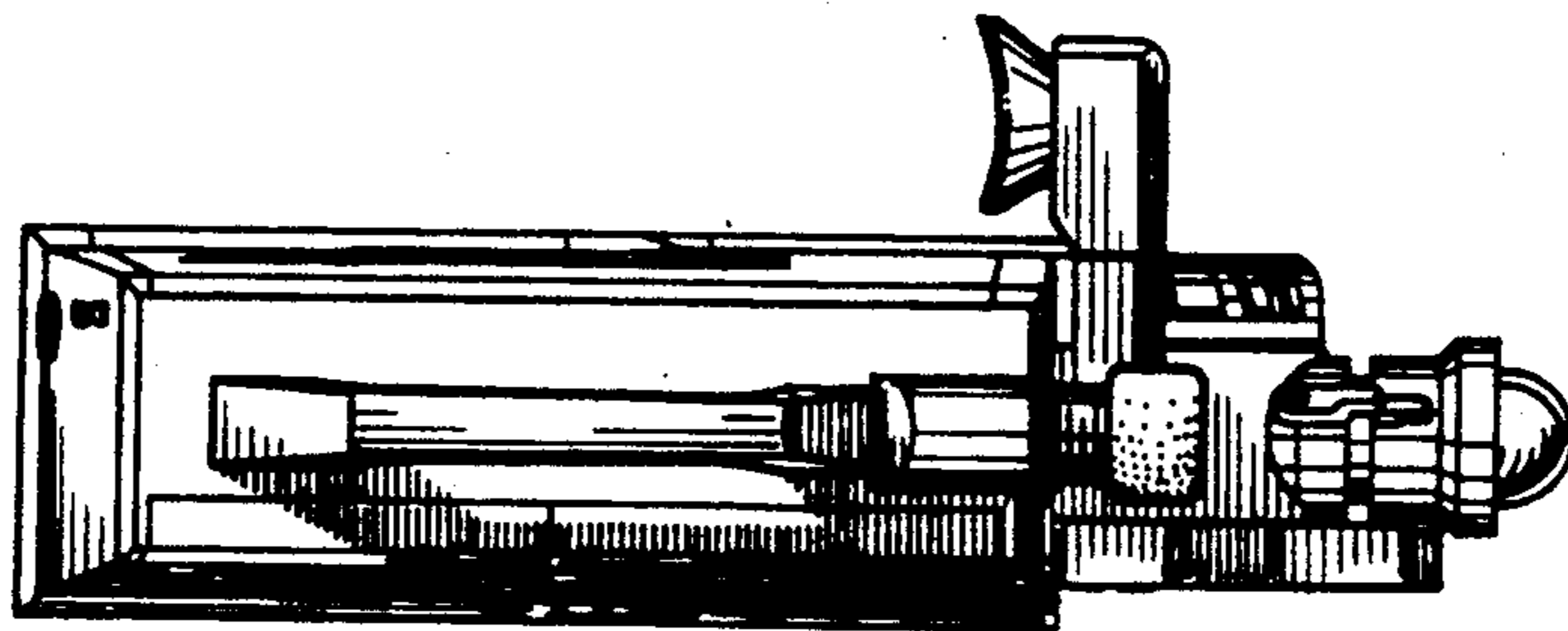


Fig. 4

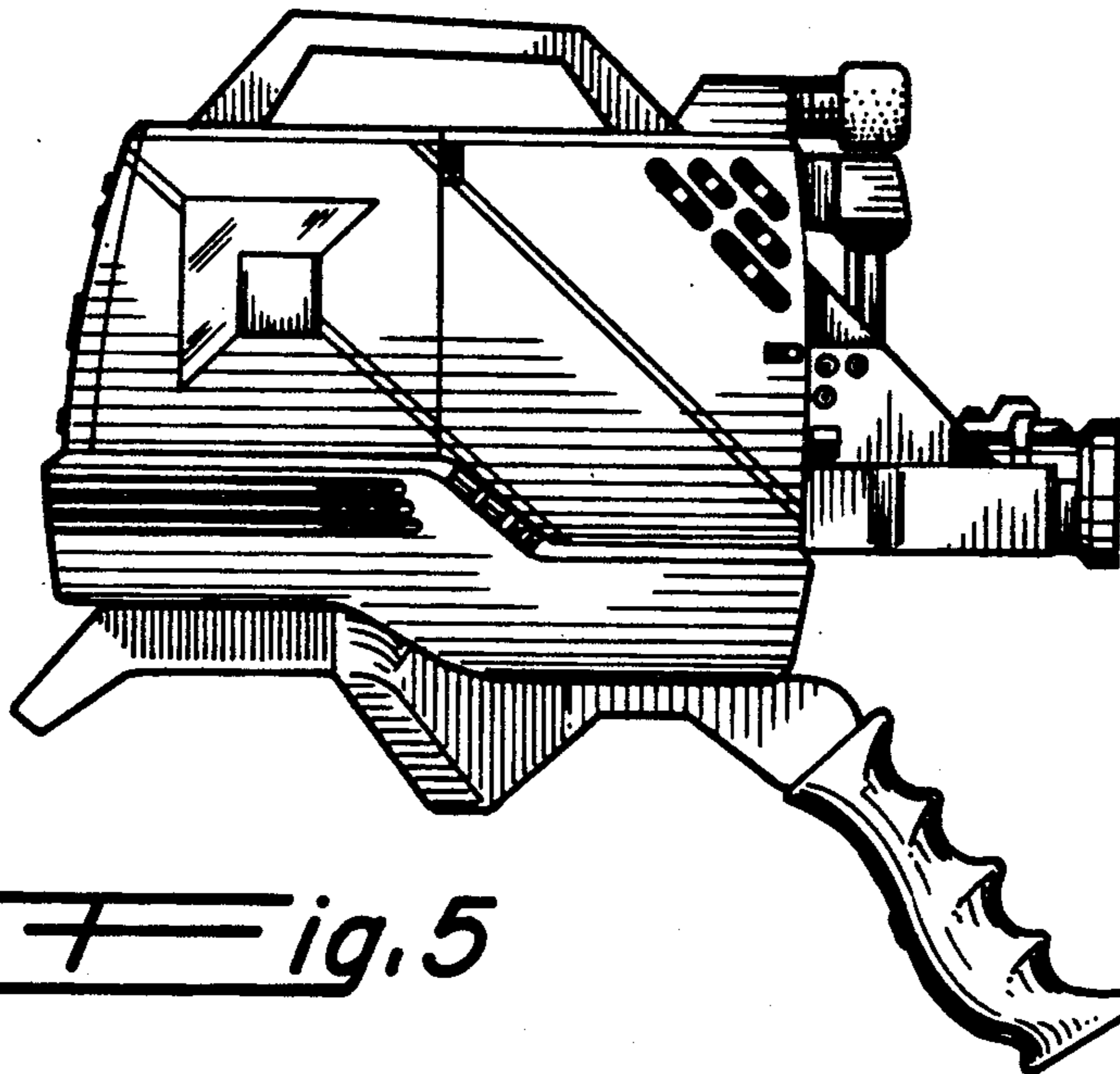


Fig. 5

