



US00D336308S

United States Patent [19] Shelton

[11] Patent Number: **Des. 336,308**

[45] Date of Patent: **** Jun. 8, 1993**

[54] **CLIP FOR SUNGLASSES**

[75] Inventor: **Robert Shelton, Princeton, Mass.**

[73] Assignee: **Opsales/Lenservice, Inc., Island Park, N.Y.**

[**] Term: **14 Years**

[21] Appl. No.: **624,772**

[22] Filed: **Dec. 10, 1990**

[52] U.S. Cl. **D16/123**

[58] Field of Search **D16/101-102, D16/105, 107, 112, 117, 121-123, 128; 351/44, 56-59, 62, 51, 43, 47-48, 83, 87, 91, 159; 2/436, 449**

3,575,497 4/1971 LeBlanc 351/48
 3,876,295 4/1975 Loughner 351/47
 5,100,224 3/1992 Terrasi 351/47

Primary Examiner—Bernard Ansher
Assistant Examiner—R. Barkai
Attorney, Agent, or Firm—James & Franklin

[57] CLAIM

The ornamental design for a clip for sunglasses, as shown and described.

DESCRIPTION

FIG. 1 is an isometric view of a clip for sunglasses showing my new design, the broken line showing of the lenses is for illustrative purposes only and forms no part of the claimed design;

FIG. 2 is an enlarged isometric view thereof;

FIG. 3 is a front elevational view thereof;

FIG. 4 is a left side elevational view thereof;

FIG. 5 is a rear elevational view thereof;

FIG. 6 is a top plan view thereof; and,

FIG. 7 is a bottom plan view thereof.

[56] **References Cited**

U.S. PATENT DOCUMENTS

D. 301,250 5/1989 Stephens D16/123
 3,010,107 11/1961 Linblom 351/48
 3,531,188 9/1970 LeBlanc 351/59

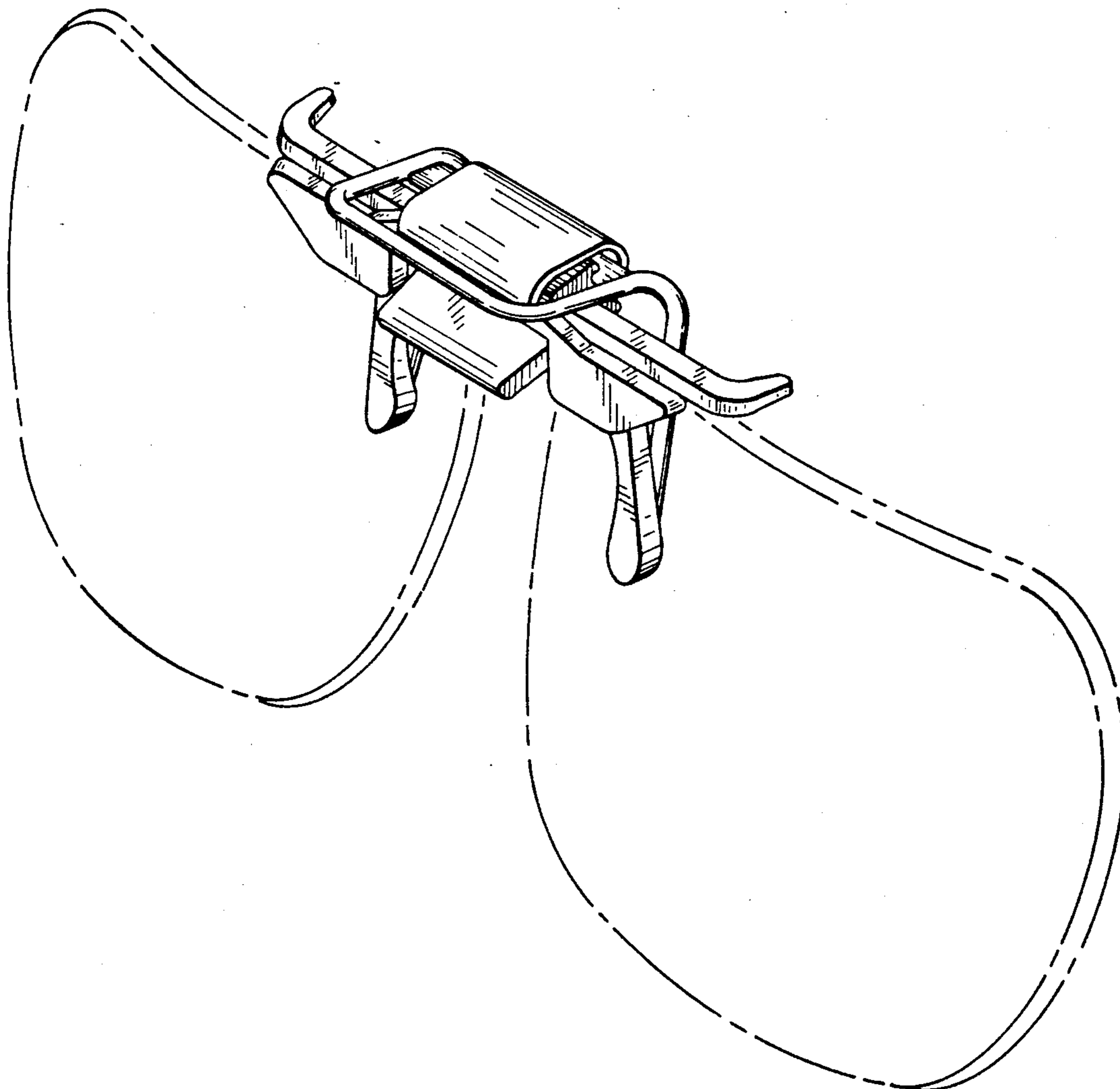


FIG. 1

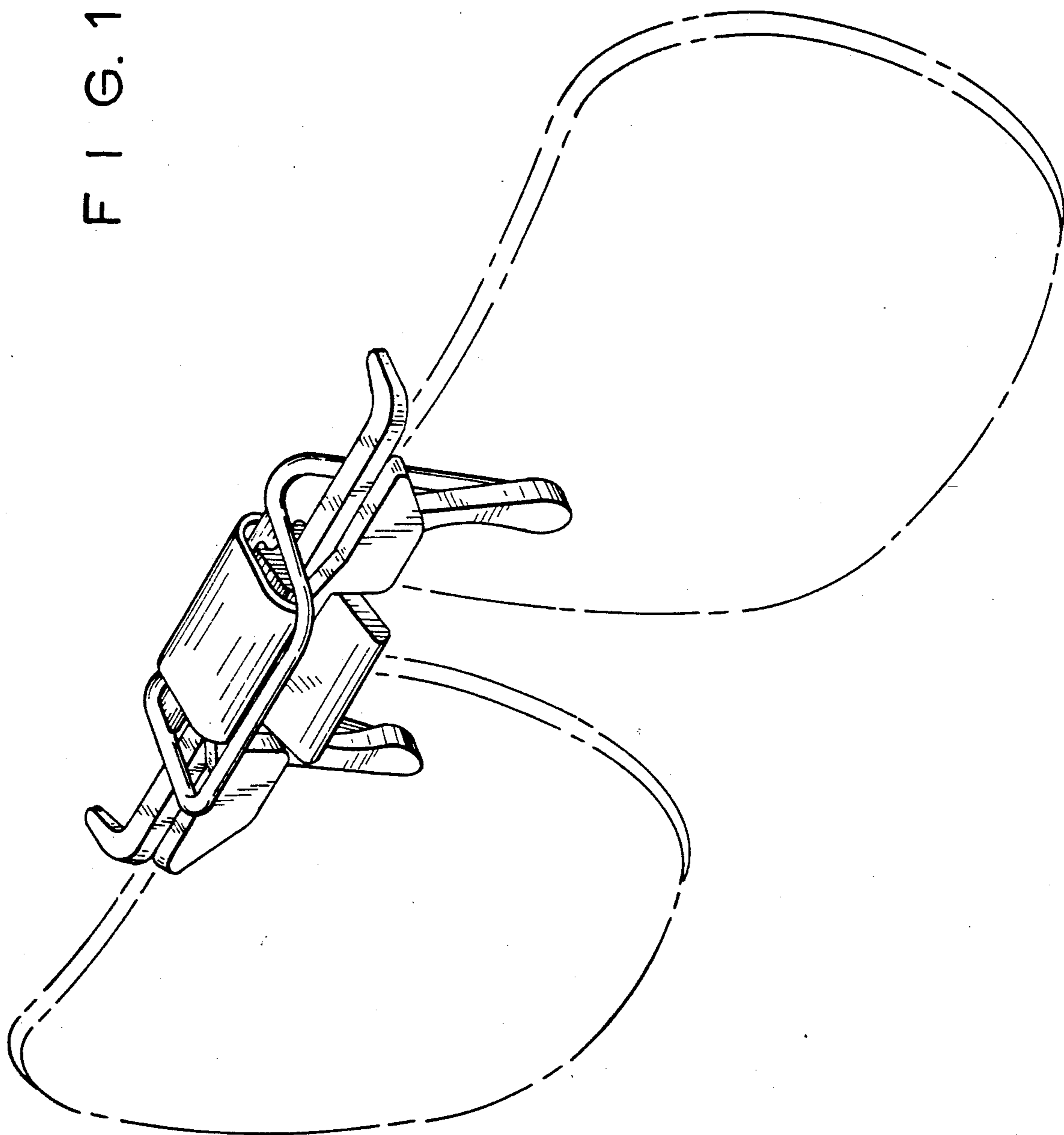


FIG. 2

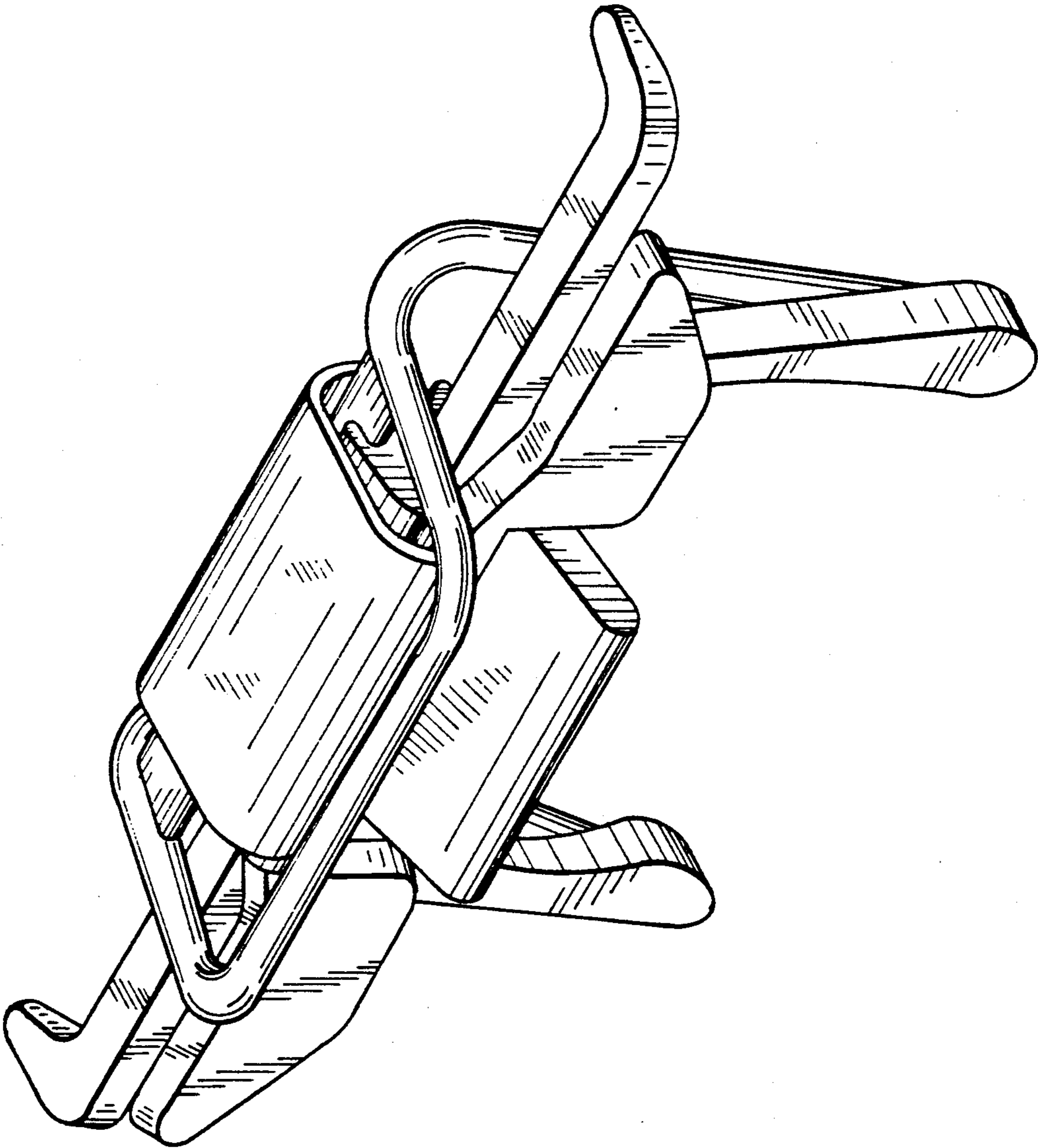


FIG. 3

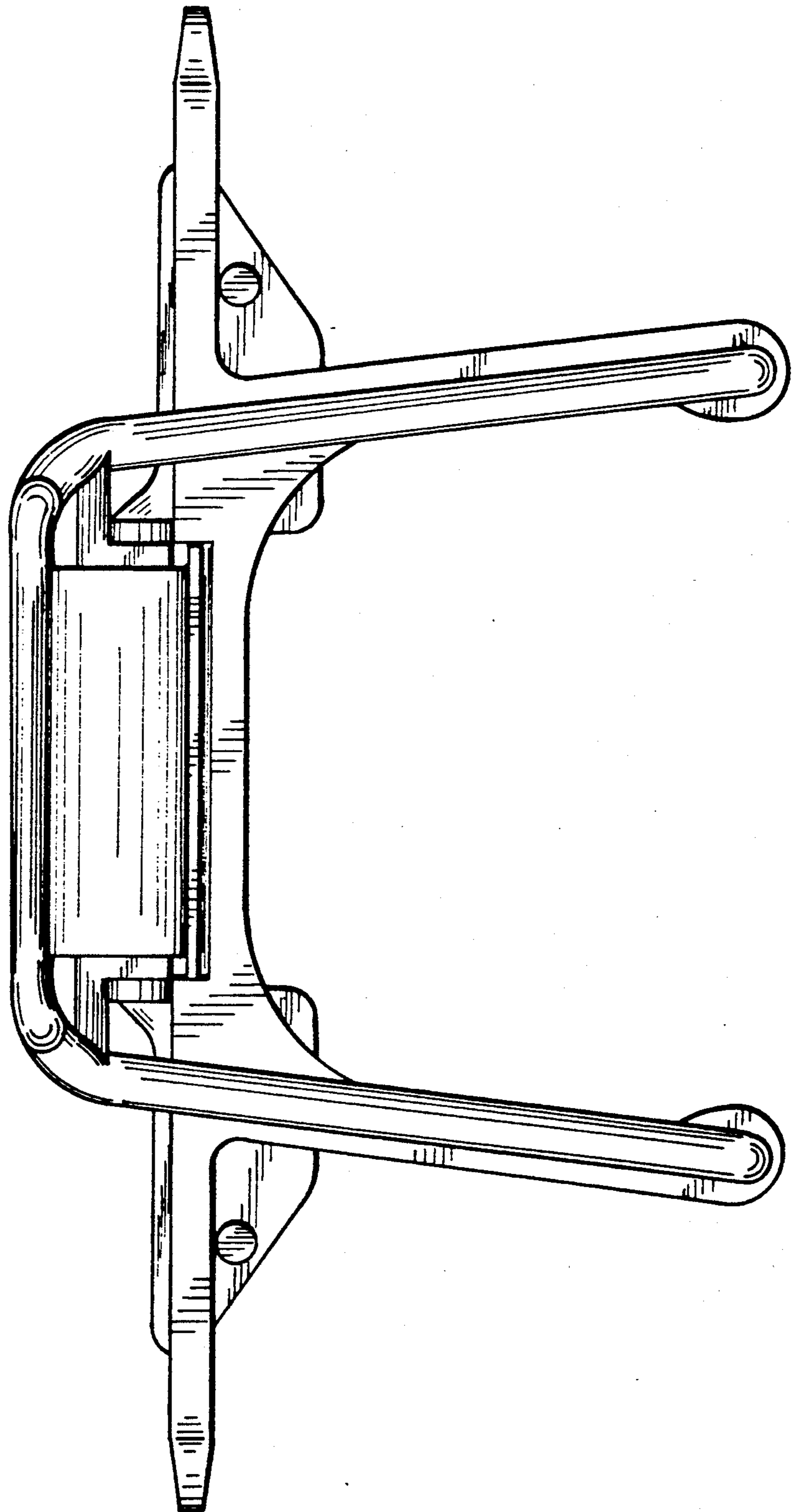


FIG. 4

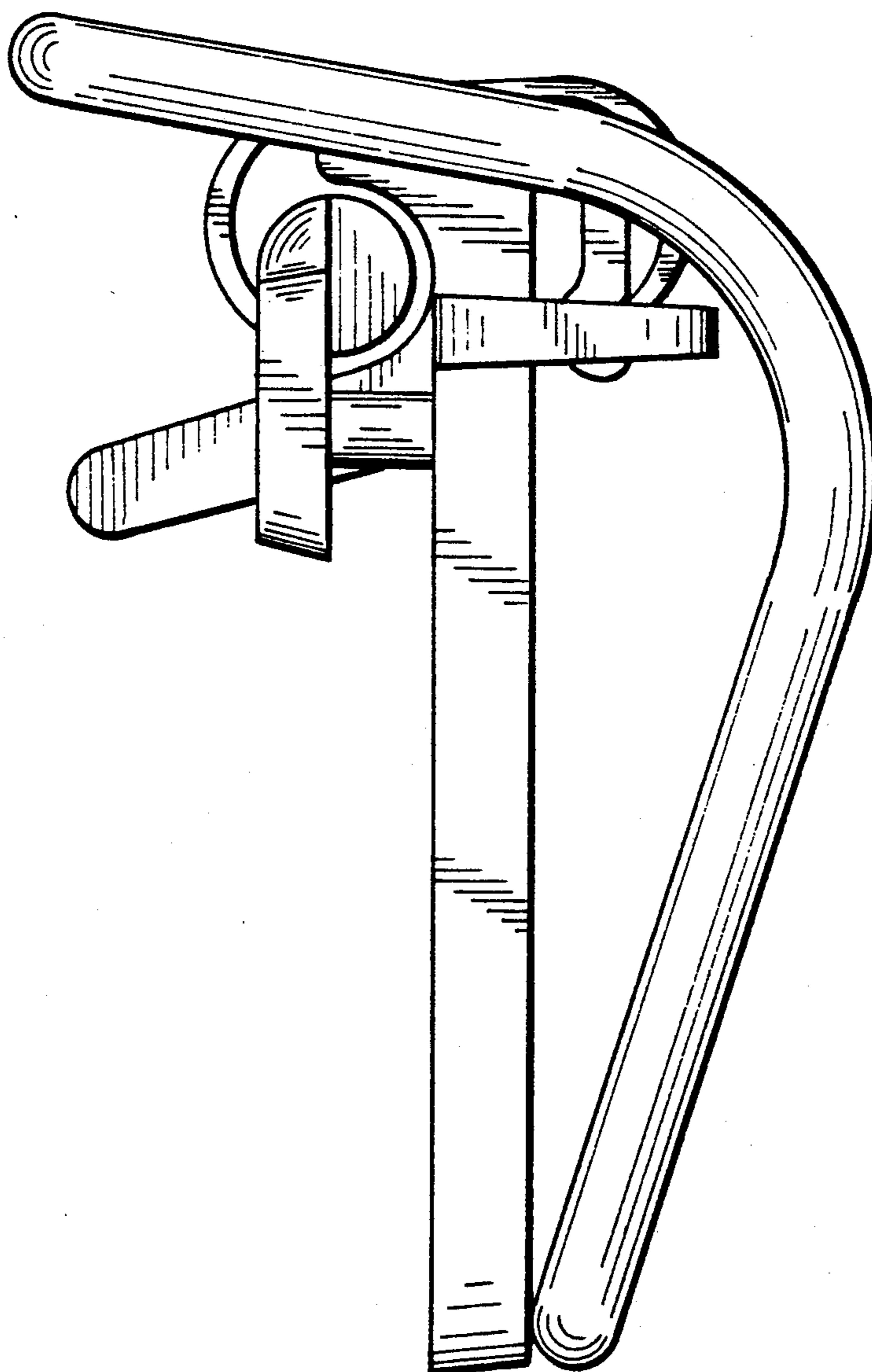


FIG. 5

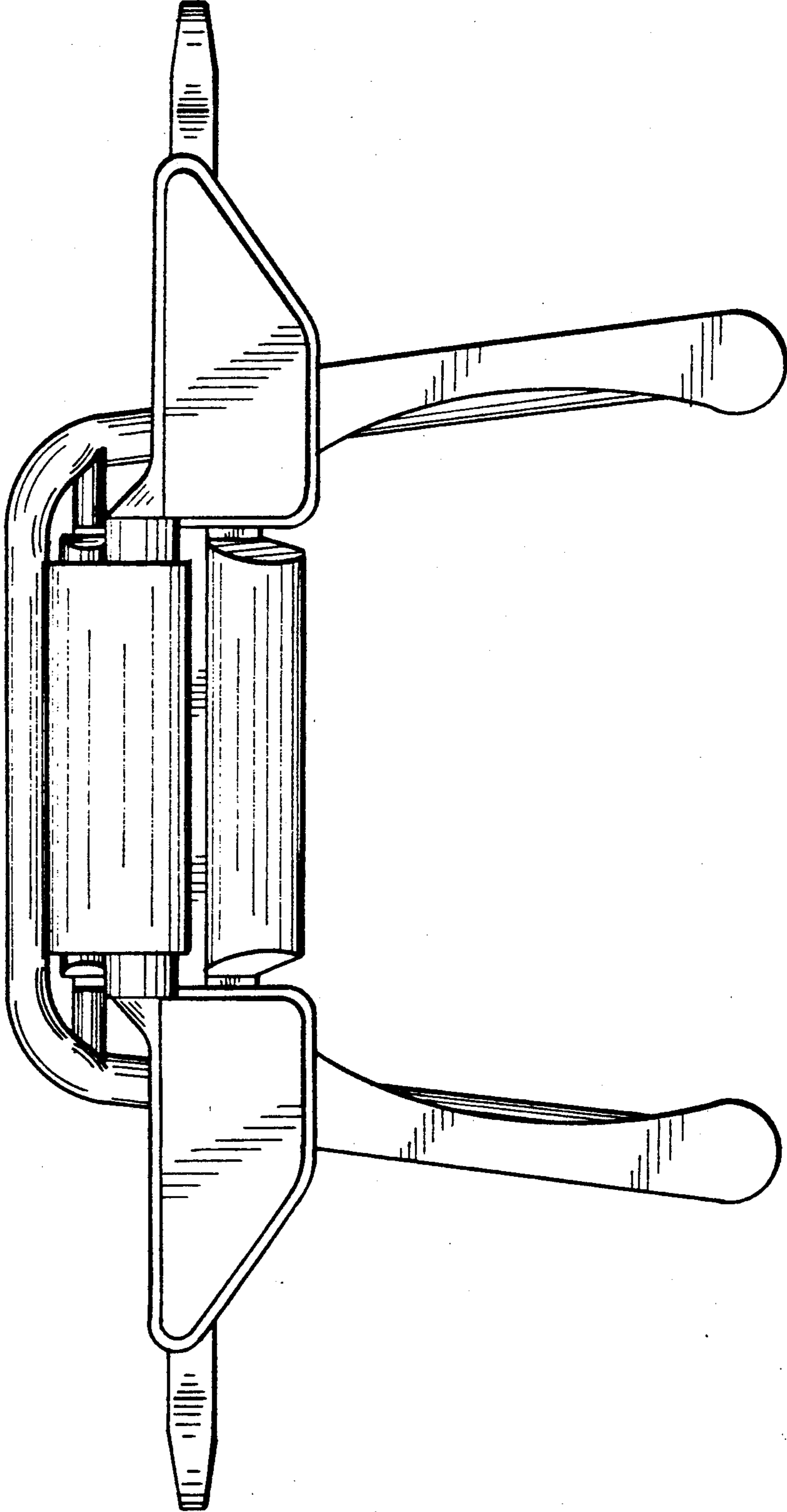


FIG. 6

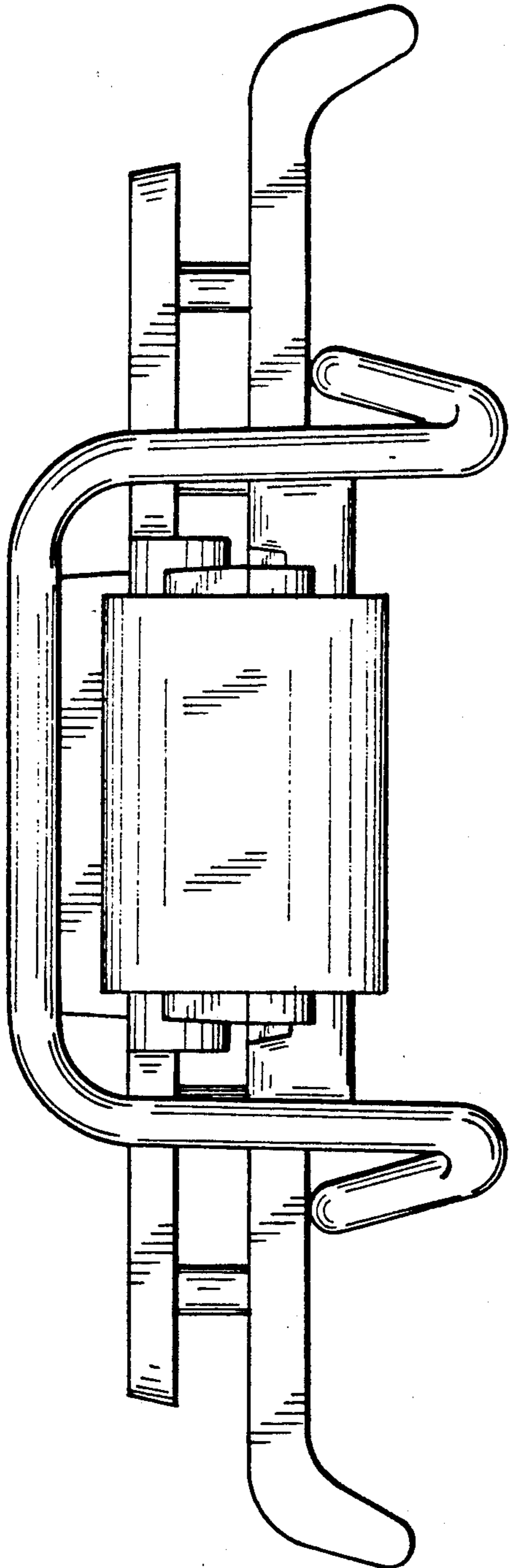


FIG. 7

