



US00D336306S

United States Patent [19]

[11] Patent Number: **Des. 336,306**

Eichorst

[45] Date of Patent: **** Jun. 8, 1993**

[54] **MECHANICAL FEEDER FOR SEWAGE SERVICE UNIT**

D. 289,299	4/1987	Wang	D15/149
4,615,232	10/1986	Puppala	74/491
4,686,732	8/1987	Irwin	15/104.33
5,031,276	7/1991	Babb et al.	15/104.33

[76] Inventor: **Lawrence G. Eichorst, 2 Summit La., Waseca, Minn. 56093**

Primary Examiner—Bernard Ansher
Assistant Examiner—Sandra Morris
Attorney, Agent, or Firm—Leon Gilden

[**] Term: **14 Years**

[21] Appl. No.: **793,703**

[57] **CLAIM**

[22] Filed: **Nov. 18, 1991**

The ornamental design for a mechanical feeder for sewage service unit, as shown and described.

[52] U.S. Cl. **D15/149**

[58] Field of Search **D15/28, 148, 149;**
15/104.33; 74/491; 134/166 C, 167 C; 406/25,
30, 122

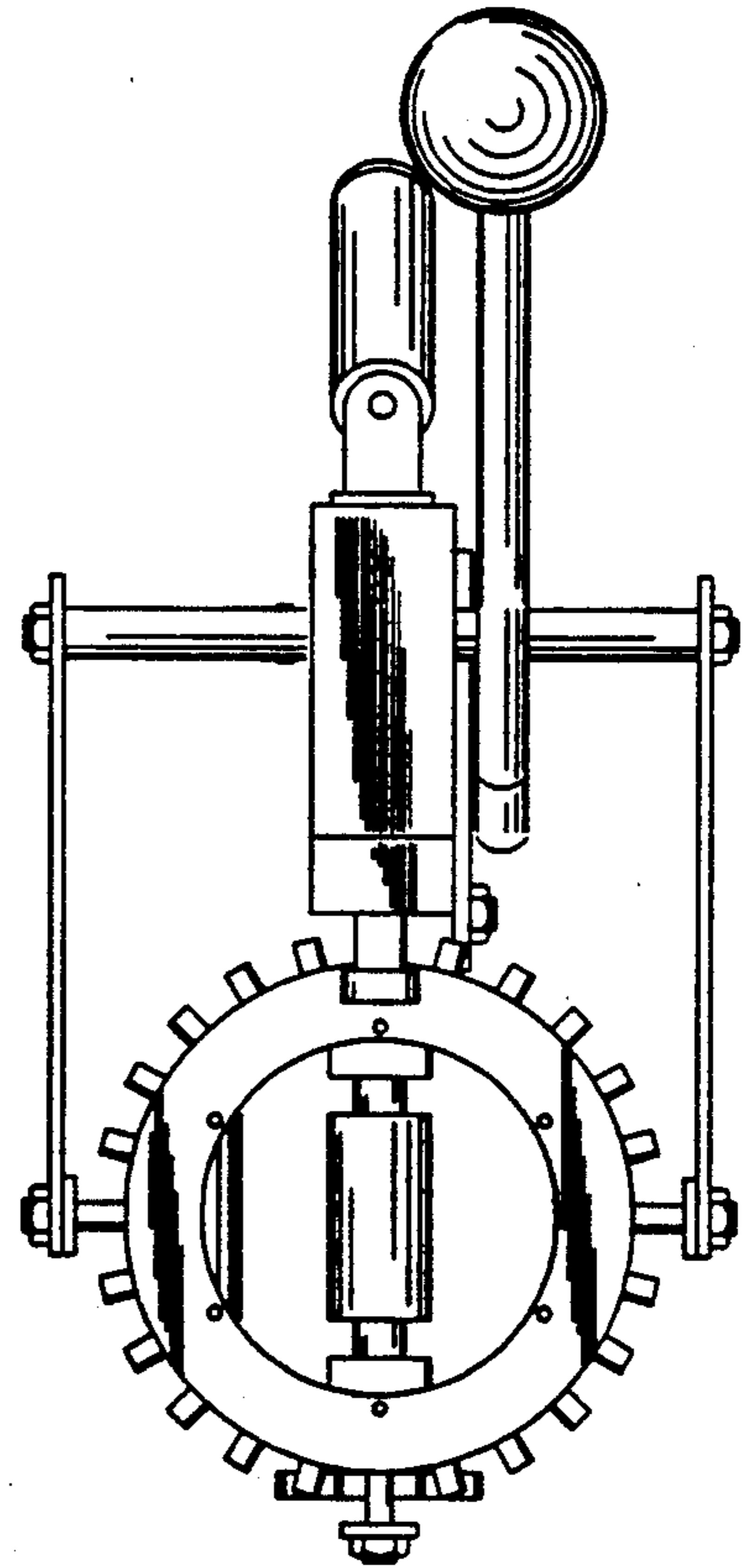
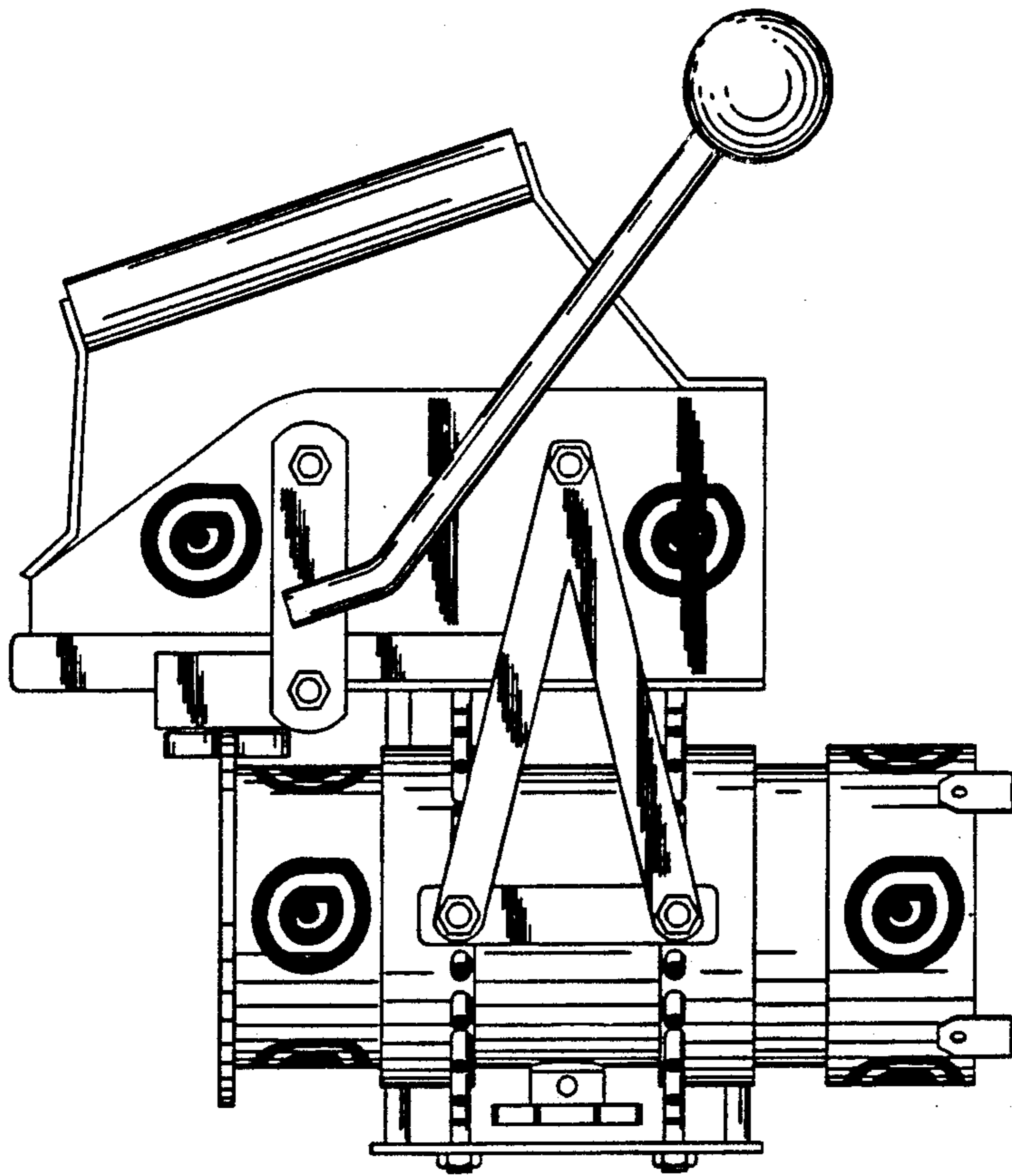
DESCRIPTION

[56] **References Cited**

U.S. PATENT DOCUMENTS

D. 171,013	12/1953	Schwartz	D15/149
D. 191,415	9/1961	Darr	D15/149
D. 237,649	11/1975	Hauser	D15/149

FIG. 1 is a front elevational view of the mechanical feeder for sewage service unit showing my new design; FIG. 2 is a rear elevational view thereof; FIG. 3 is a left side elevational view thereof; FIG. 4 is a right side elevational view thereof; FIG. 5 is a top plan view thereof; and, FIG. 6 is a bottom plan view thereof.



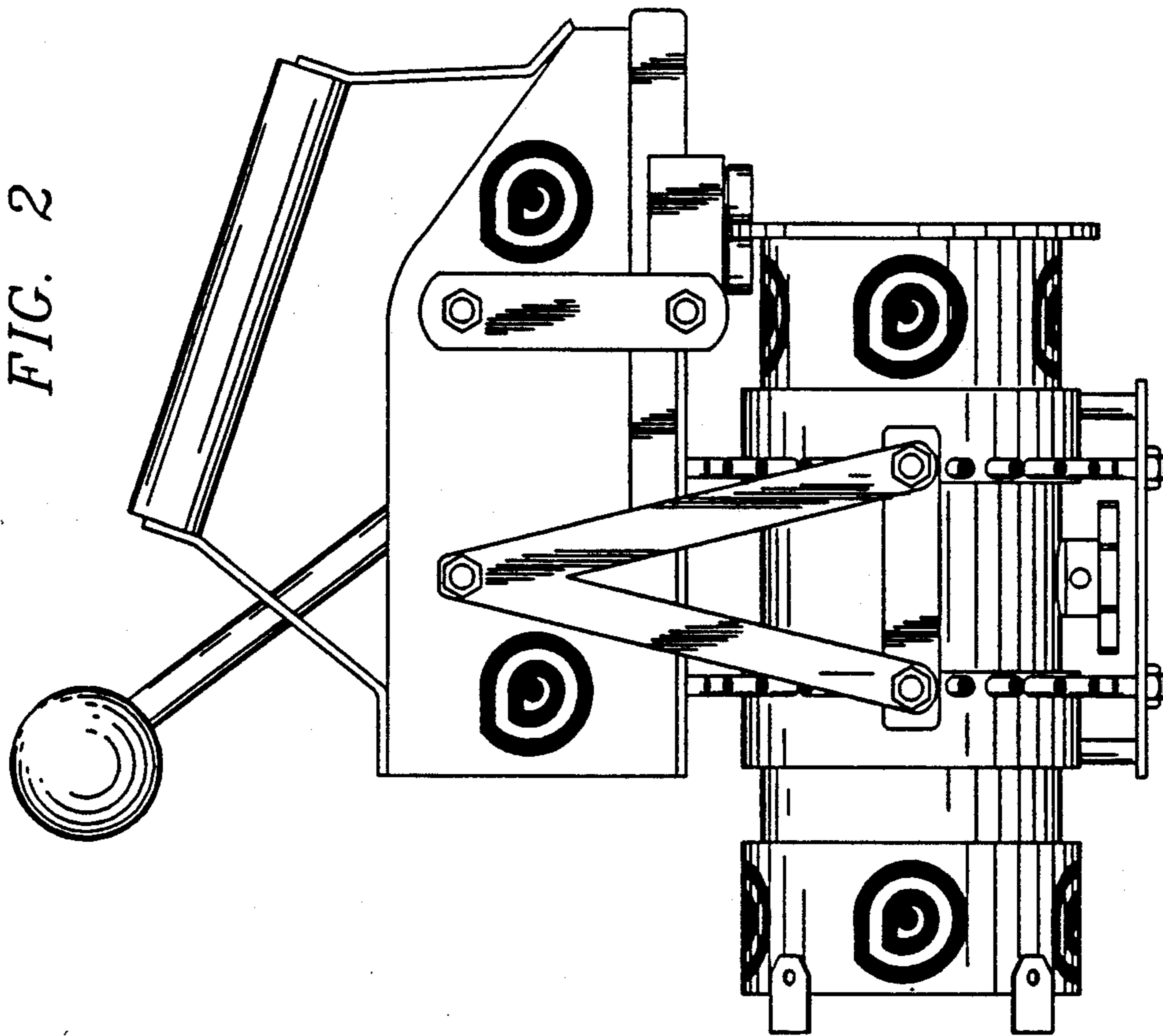


FIG. 2

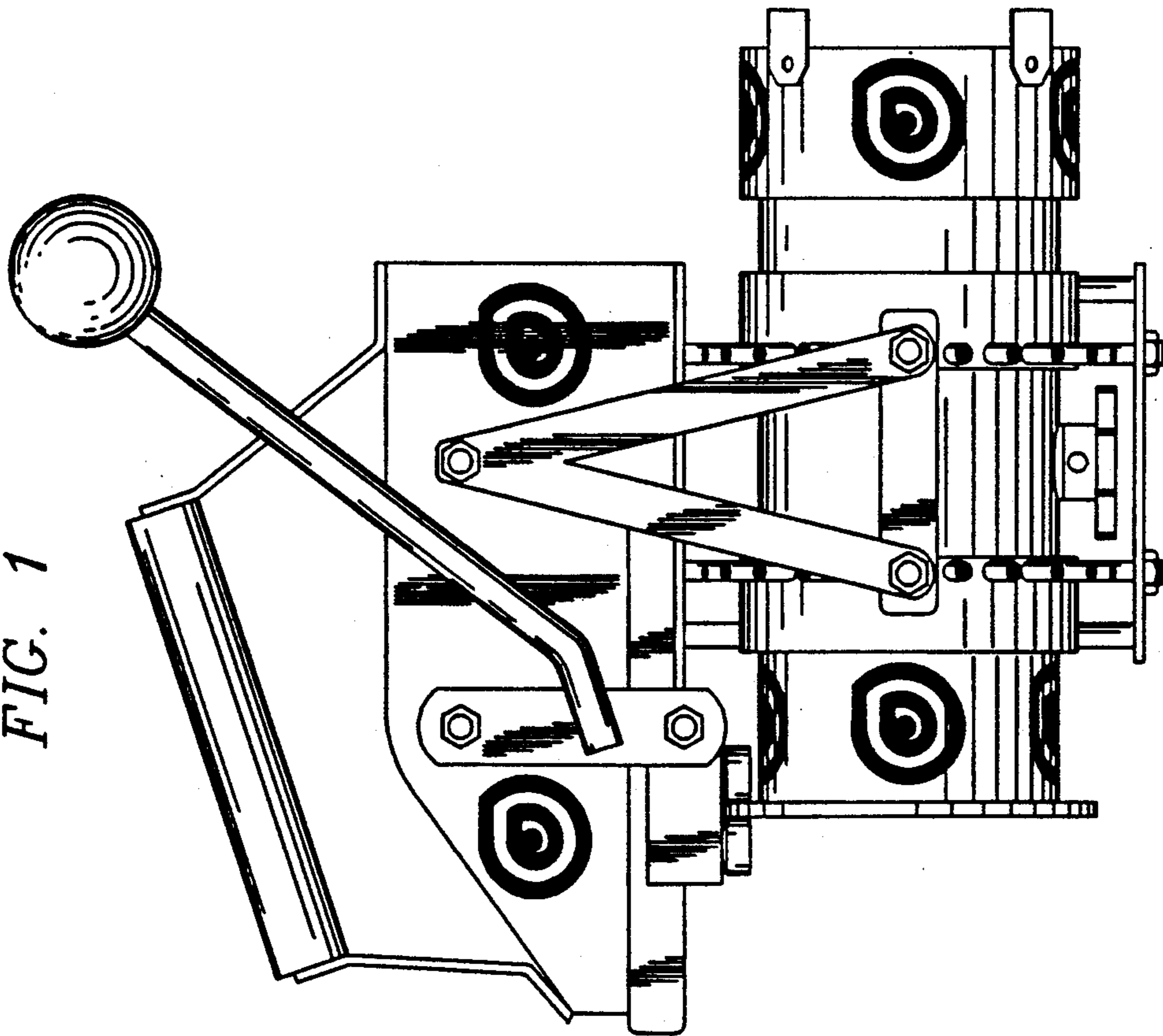


FIG. 1

FIG. 3

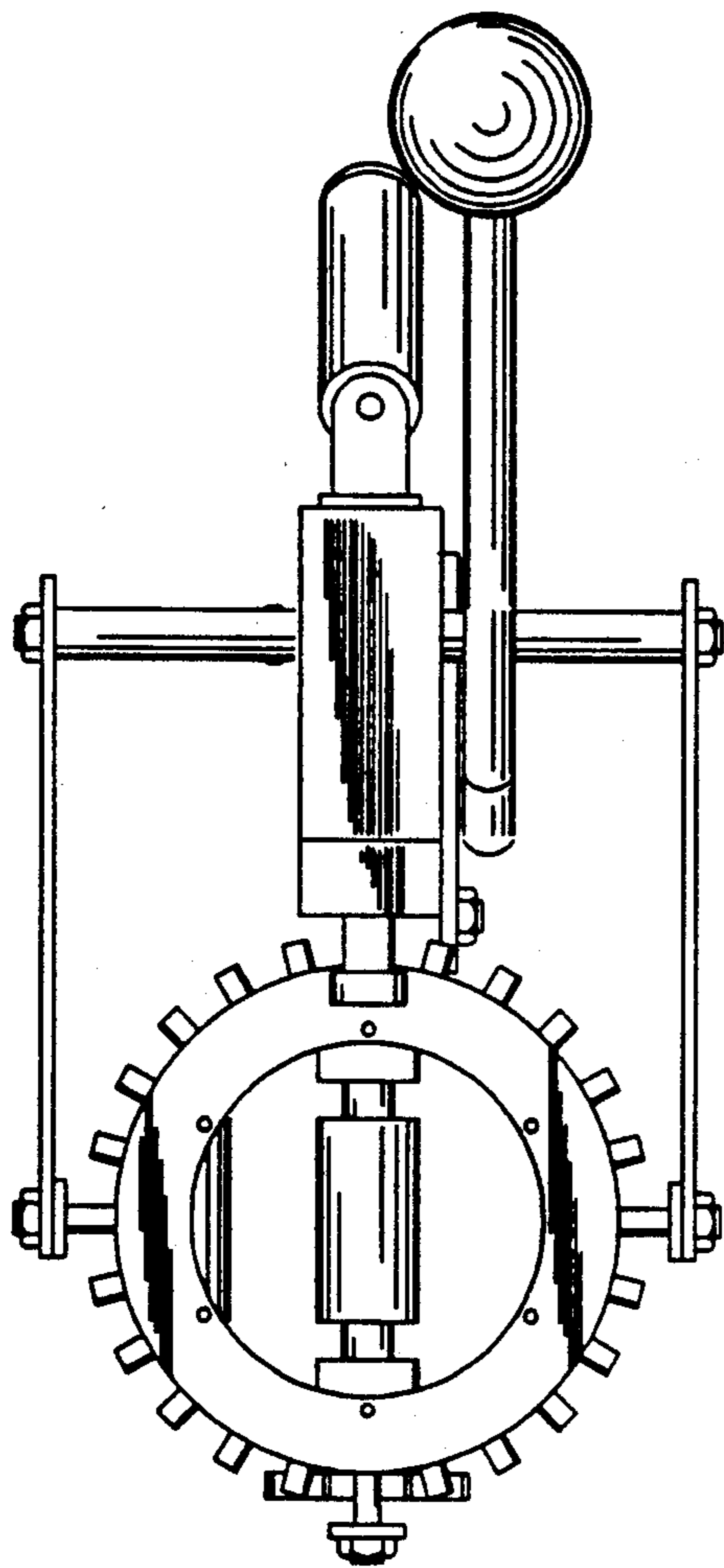


FIG. 4

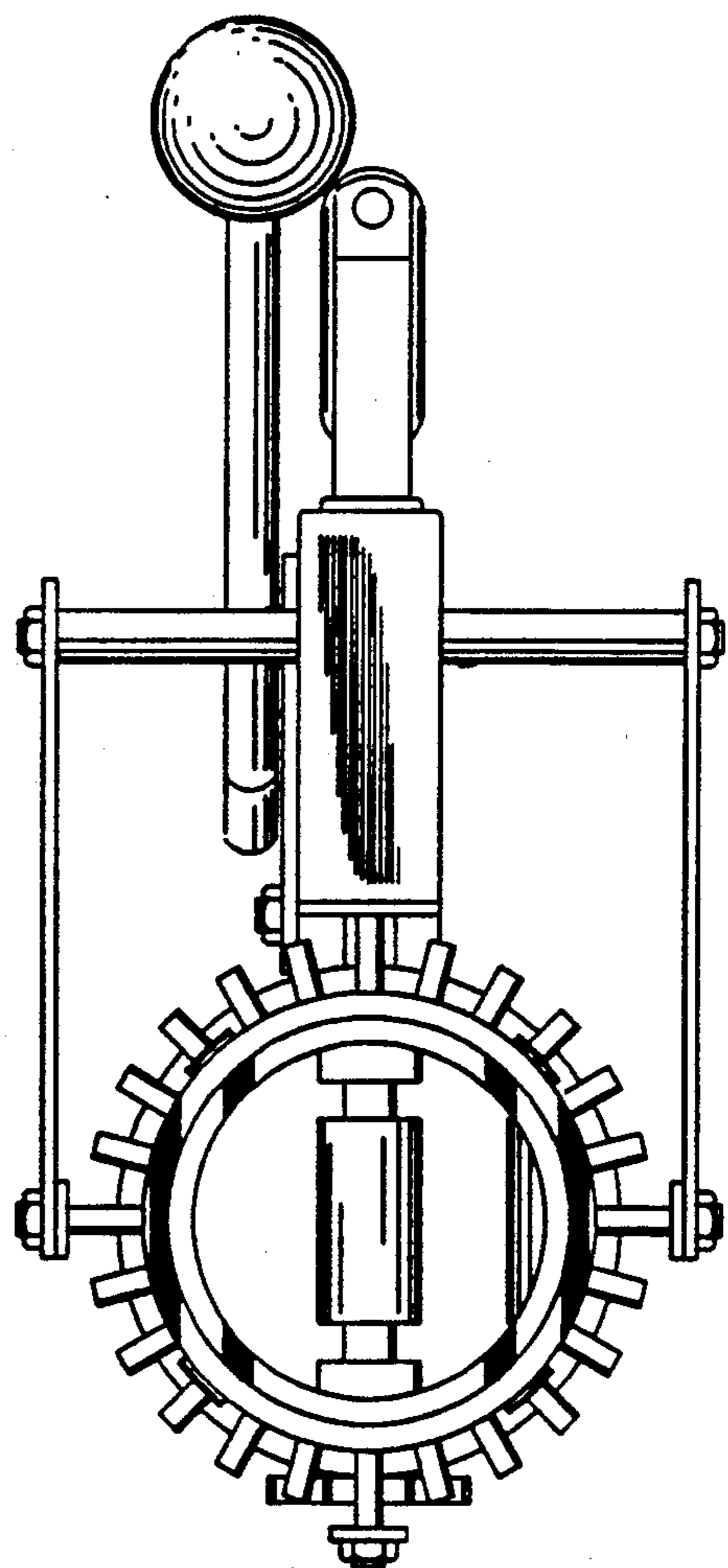


FIG. 5

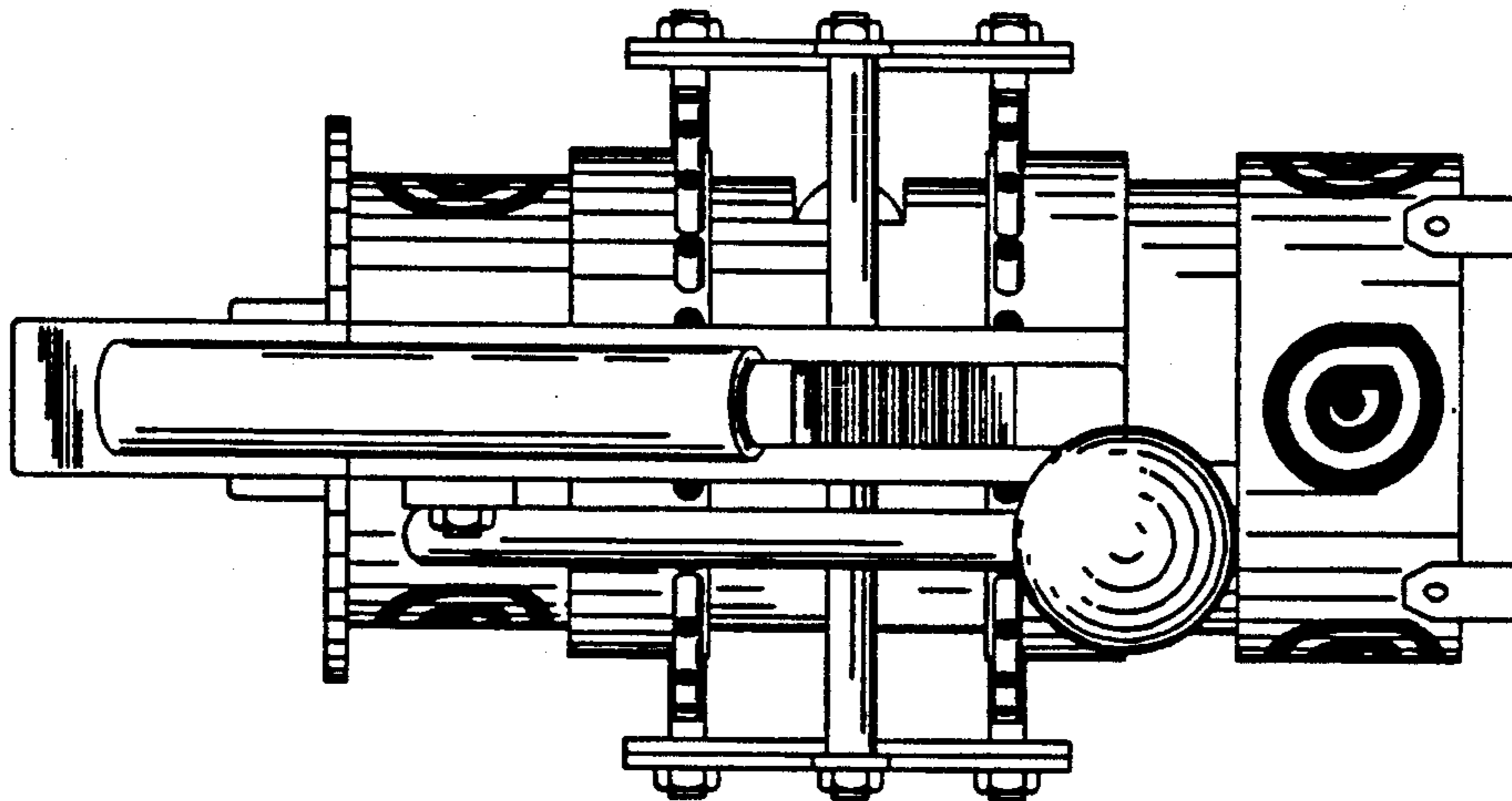


FIG. 6

