



US00D336302S

United States Patent [19]

[11] Patent Number: **Des. 336,302**

Kwang et al.

[45] Date of Patent: **** Jun. 8, 1993**

[54] **CROSSOVER UNIT FOR AN ACOUSTIC SYSTEM**

[75] Inventors: **David Kwang**, Pasadena; **Gary S. Weissberg**, Long Beach; **Peter L. Lam**, Alhambra; **Vannin Gale**, Riverside, all of Calif.

[73] Assignee: **Concept Enterprises, Inc.**, Vernon, Calif.

[**] Term: **14 Years**

[21] Appl. No.: **460,711**

[22] Filed: **Jan. 3, 1990**

[52] U.S. Cl. **D14/299; D14/221**

[58] Field of Search **D14/124, 188, 218, 221, D14/222, 265, 299; D13/158; 381/99, 100**

[56] **References Cited**

U.S. PATENT DOCUMENTS

D. 266,510	10/1982	Iijima	D14/188
D. 269,610	7/1983	Matsubara	D14/221
D. 305,230	12/1989	Math	D14/124

OTHER PUBLICATIONS

Crutchfield Fall 88/Winter 89 Catalog, p. 41, Bottom—Sony model XEC-79H crossover and Alphasonik model EX-3 crossover.

Primary Examiner—Theodore M. Shooman
Attorney, Agent, or Firm—Merchant, Gould, Smith, Edell, Welter & Schmidt

[57] **CLAIM**

The ornamental design for a crossover unit for an acoustic system, as shown and described.

DESCRIPTION

FIG. 1 is a top, front and left side perspective view of a crossover unit for an acoustic system showing our new design;

FIG. 2 is a top plan view thereof;

FIG. 3 is a front elevational view thereof;

FIG. 4 is a rear elevational view thereof;

FIG. 5 is a bottom plan view thereof;

FIG. 6 is a left side elevational view thereof; and,

FIG. 7 is a right side elevational view thereof.

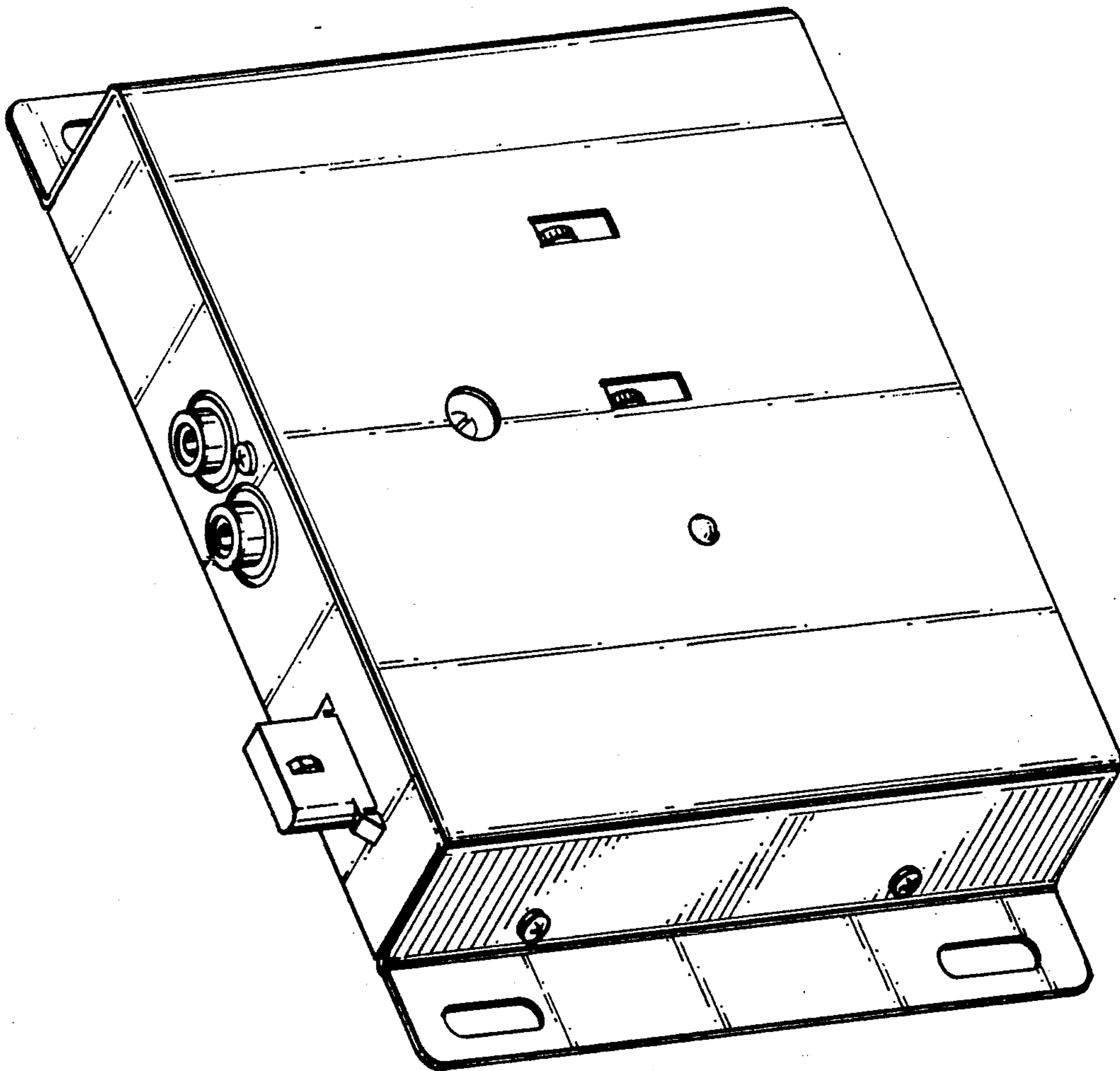


FIG. 1

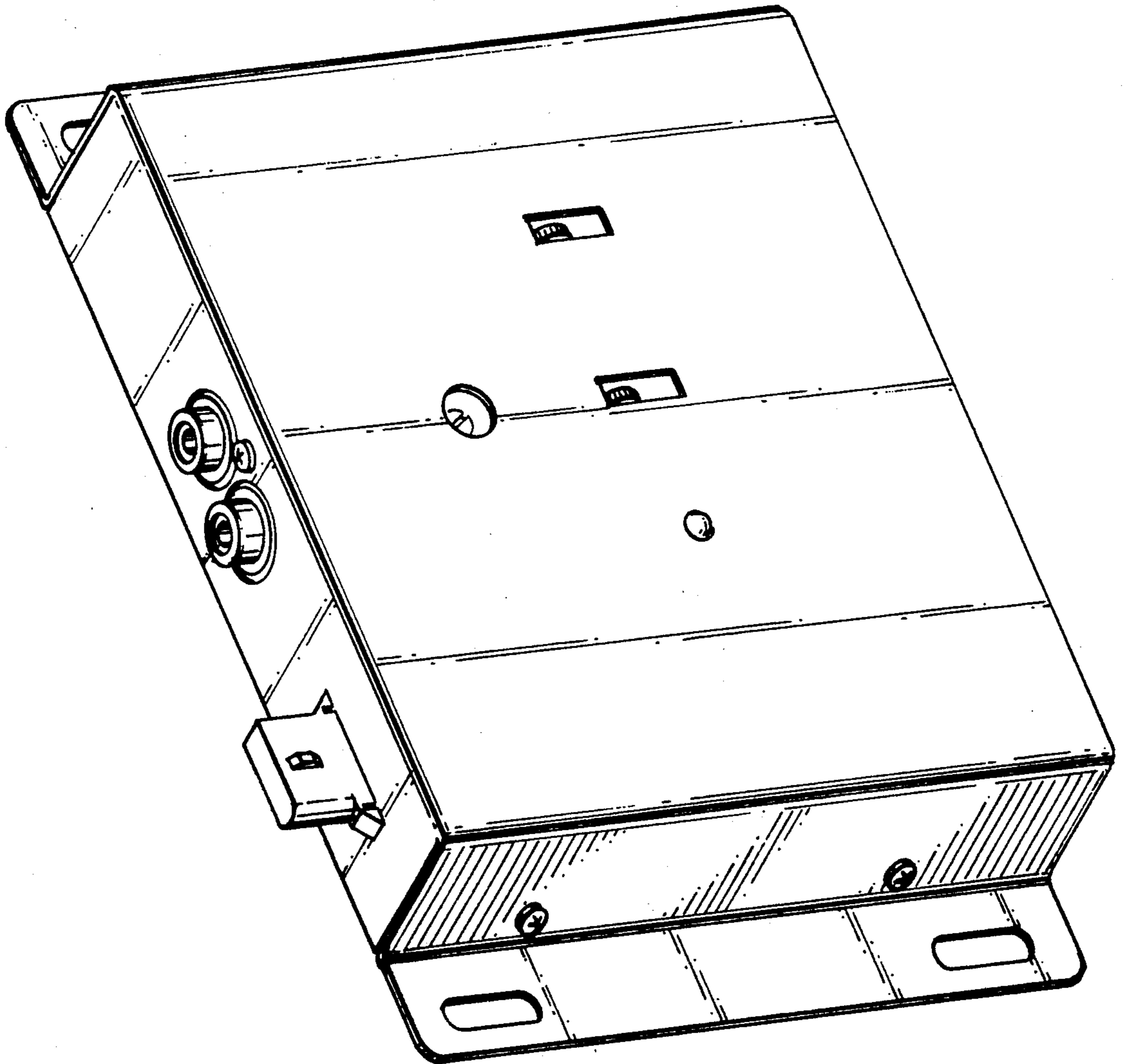


FIG. 2

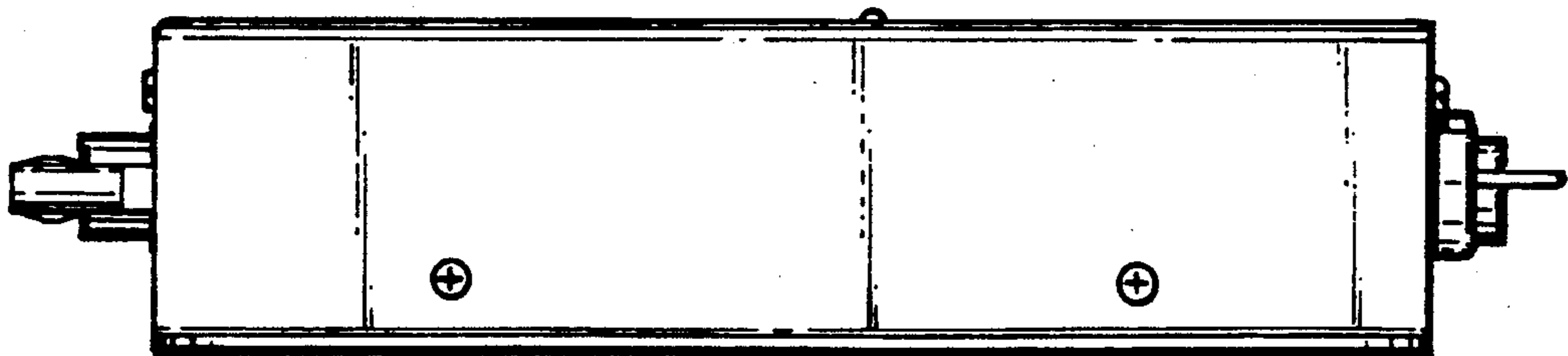
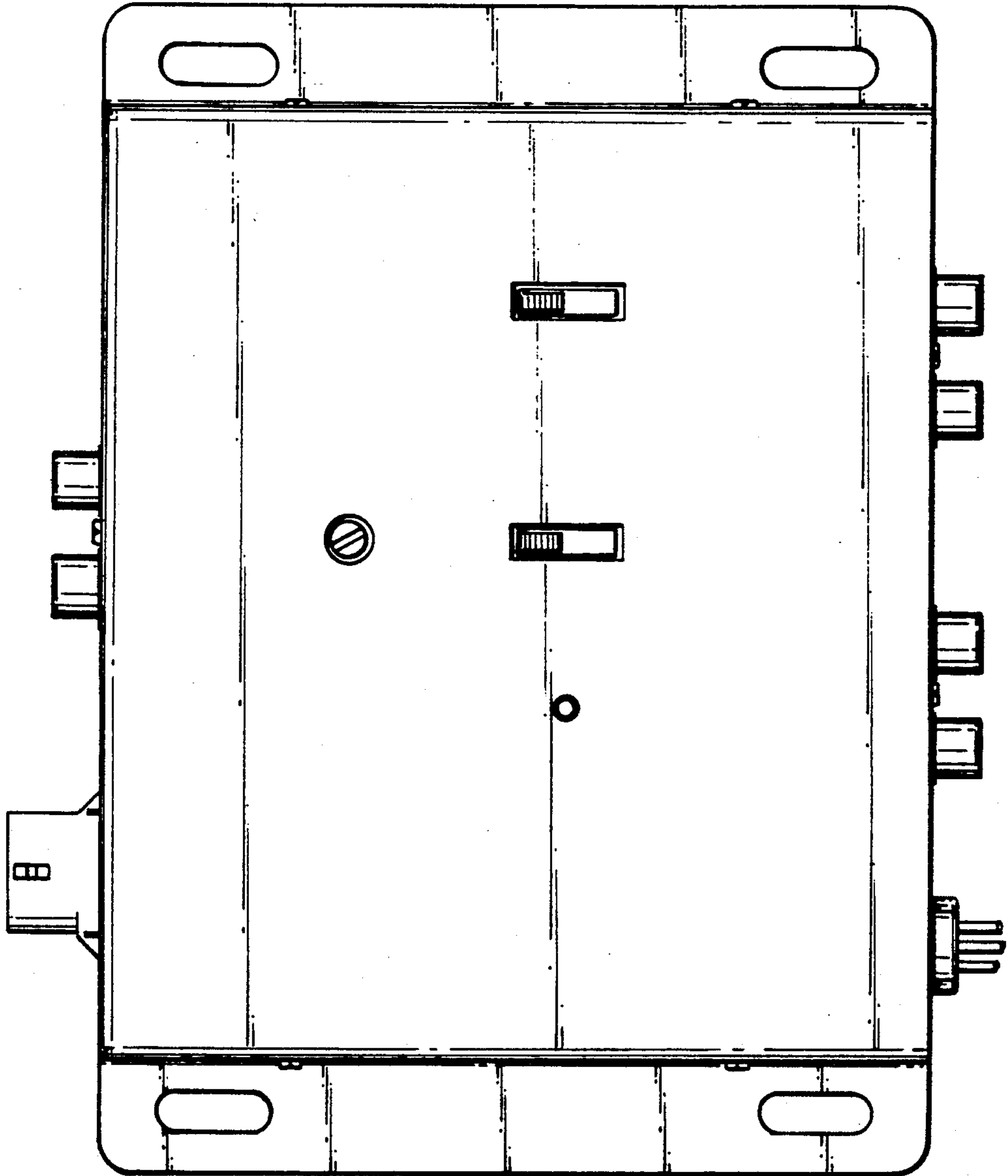


FIG. 3

FIG. 4

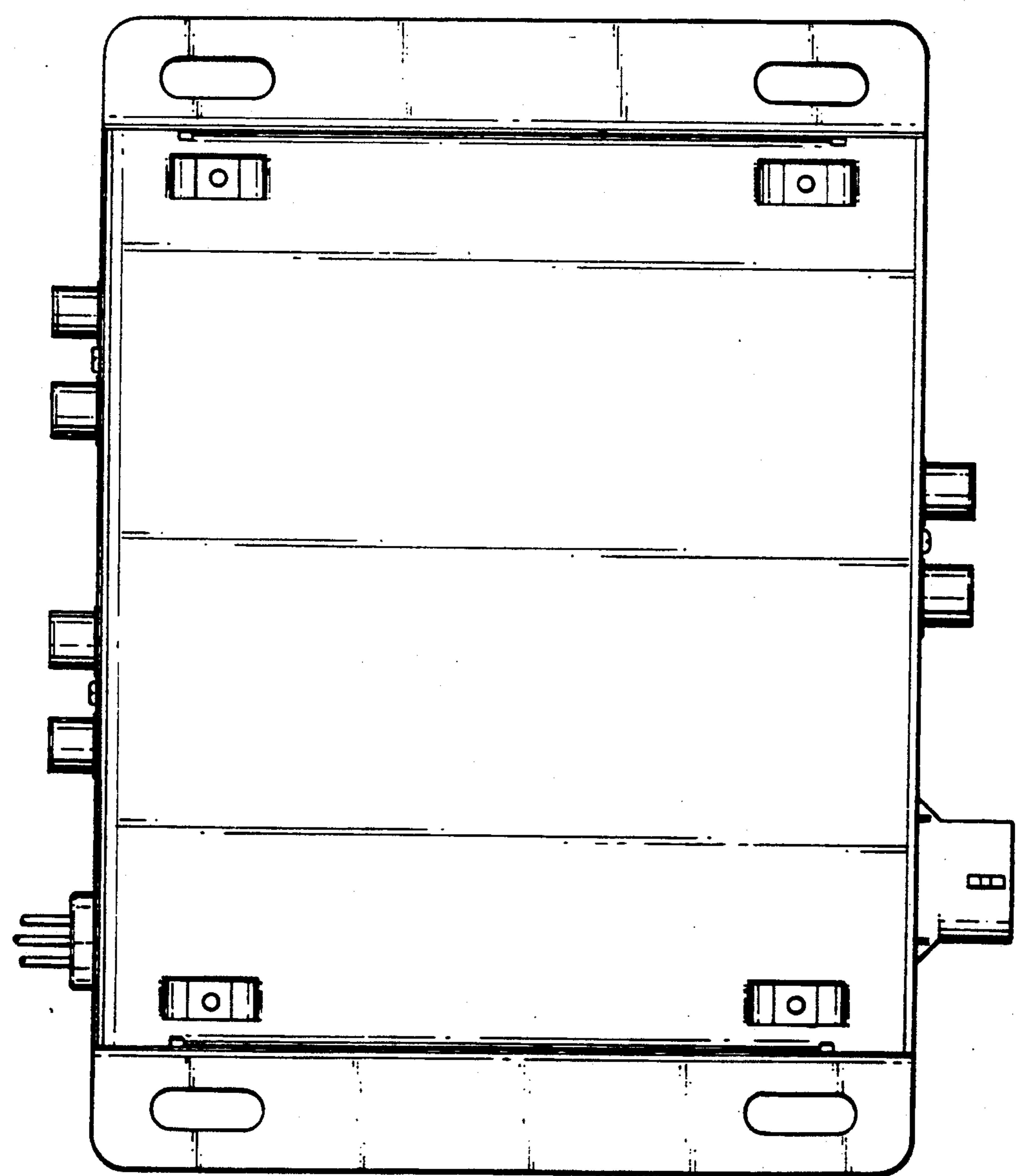
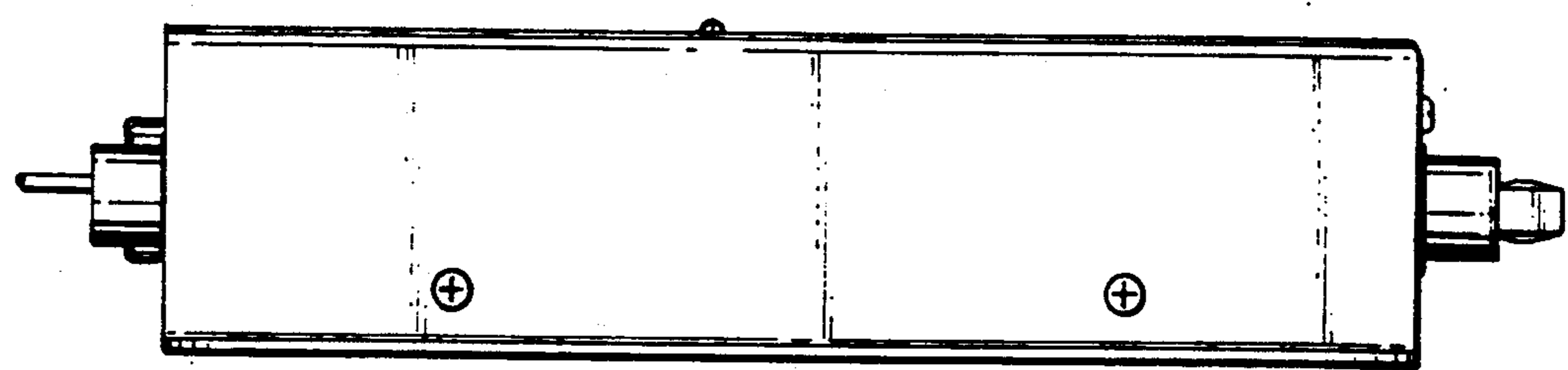


FIG. 5

FIG. 6

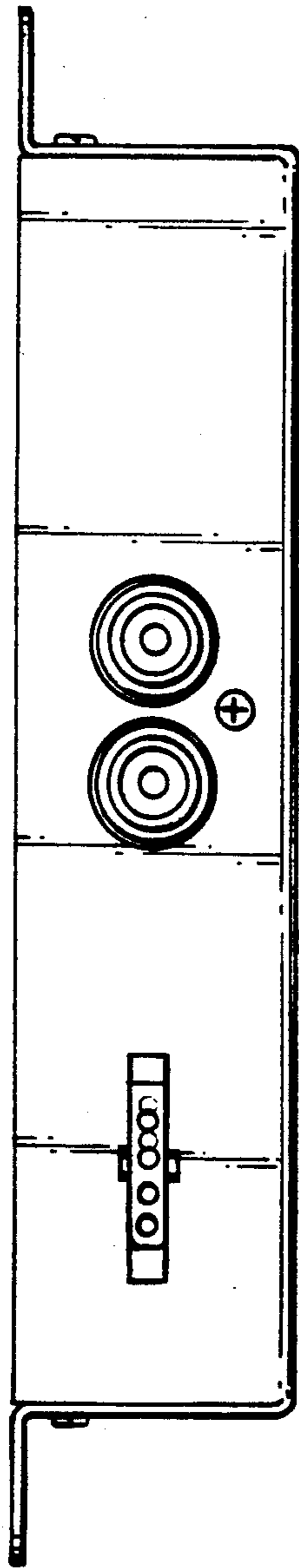


FIG. 7

