



US00D336295S

United States Patent [19]

[11] Patent Number: **Des. 336,295**

Taniguchi

[45] Date of Patent: **** Jun. 8, 1993**

[54] TAPE RECORDER

[75] Inventor: **Shuhei Taniguchi**, Tokyo, Japan

[73] Assignee: **Sony Corporation**, Tokyo, Japan

[**] Term: **14 Years**

[21] Appl. No.: **688,347**

[22] Filed: **Apr. 22, 1991**

[52] U.S. Cl. **D14/165**

[58] Field of Search **D14/160-168, D14/154, 188, 192, 194-196; 455/344, 350-351**

[56] **References Cited**

U.S. PATENT DOCUMENTS

- D. 310,078 8/1990 Naito D14/164
- D. 314,574 2/1991 Kato D14/163
- D. 321,194 10/1991 Ito et al. D14/168
- D. 328,896 8/1992 Warburton D14/188 X

OTHER PUBLICATIONS

Stereo Review; Oct. 1988; p. 71; top-Sony Model

TCD-D10 and Technics Model SV-MD1 cassette recorders.

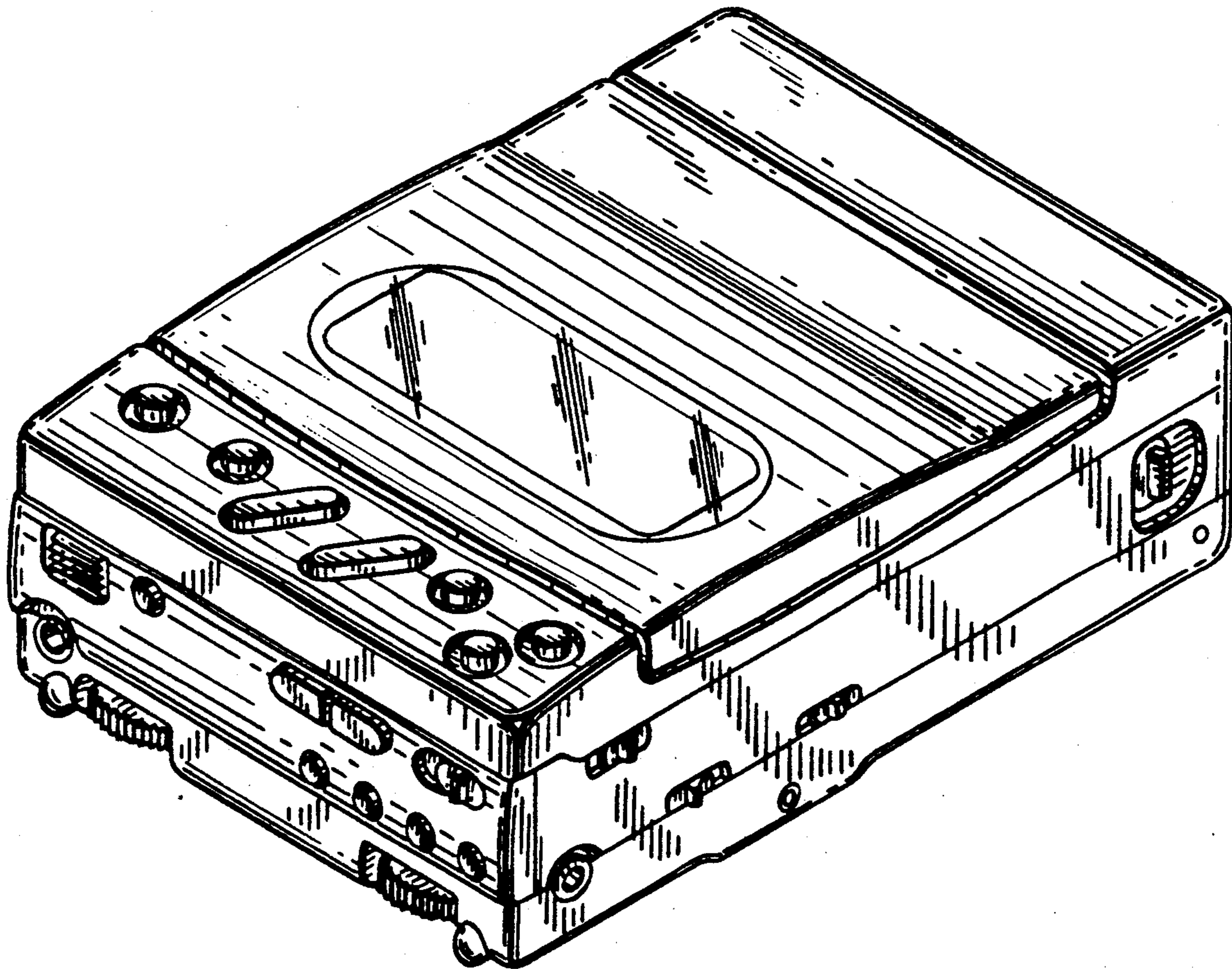
Primary Examiner—Theodore M. Shooman
Attorney, Agent, or Firm—Lewis H. Eslinger; Jay H. Maioli

[57] **CLAIM**

The ornamental design for a tape recorder, as shown and described.

DESCRIPTION

FIG. 1 is a top, front and right-side perspective view of a tape recorder showing my new design;
 FIG. 2 is a top, front and right-side perspective view thereof, shown in operating condition;
 FIG. 3 is a top, front and right-side perspective view thereof, shown in an open condition, the broken line showing of the battery pack is for illustrative purposes only and forms no part of the claimed design;
 FIG. 4 is a right-side elevational view thereof;
 FIG. 5 is a left-side elevational view thereof;
 FIG. 6 is a bottom plan view thereof;
 FIG. 7 is a front elevational view thereof;
 FIG. 8 is a top plan view thereof; and,
 FIG. 9 is a rear elevational view thereof.



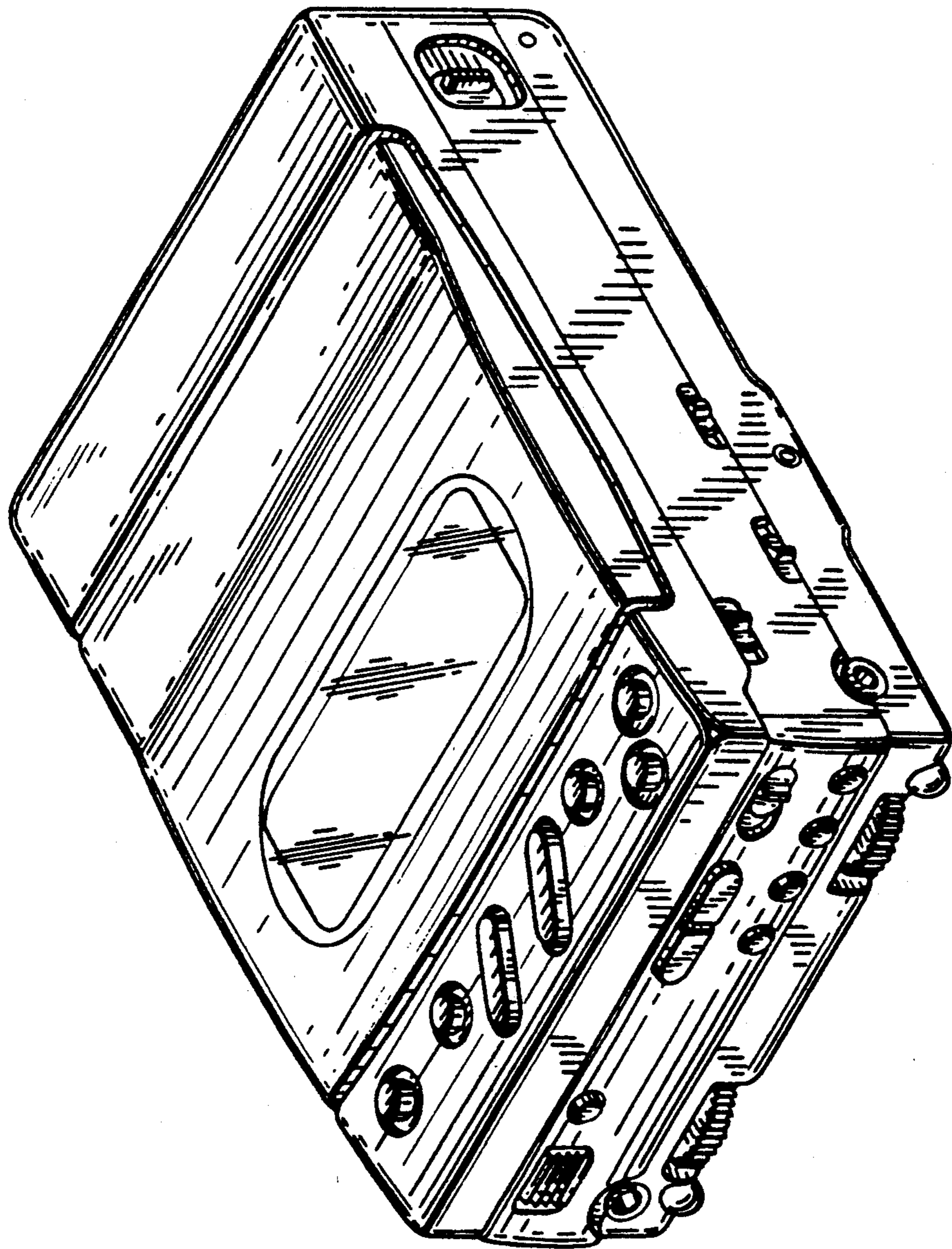


FIG. 1

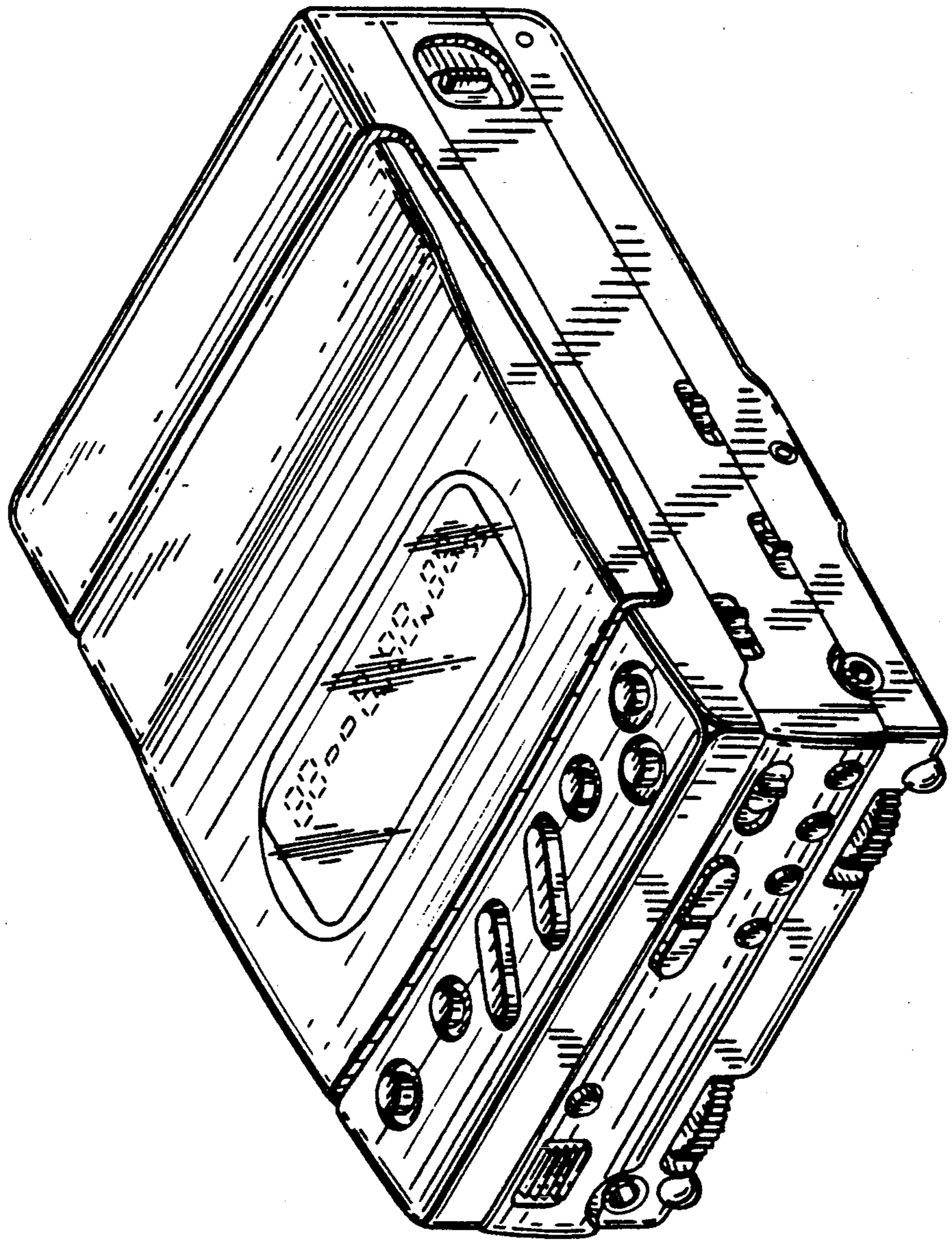
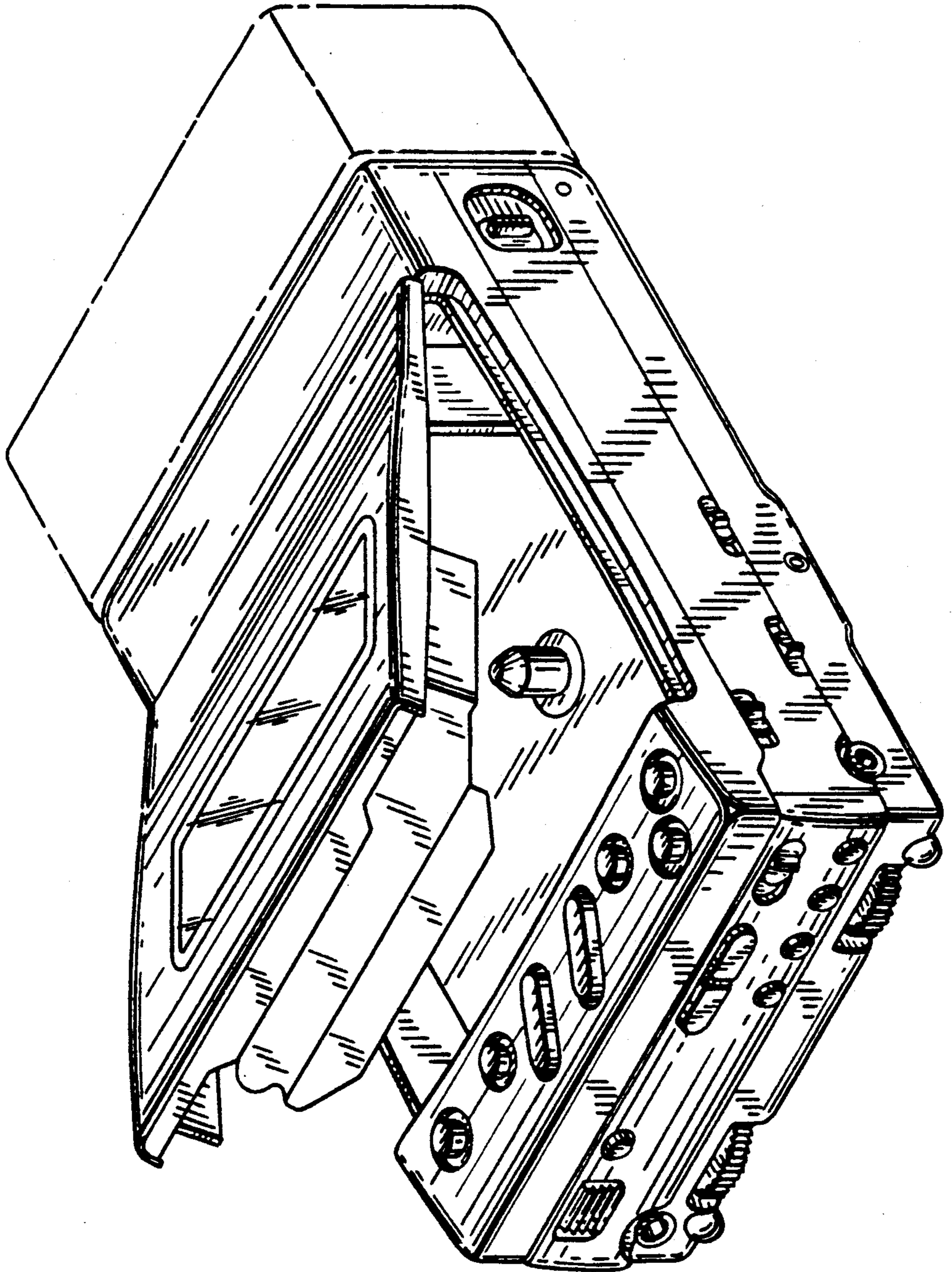


FIG. 2

FIG. 3



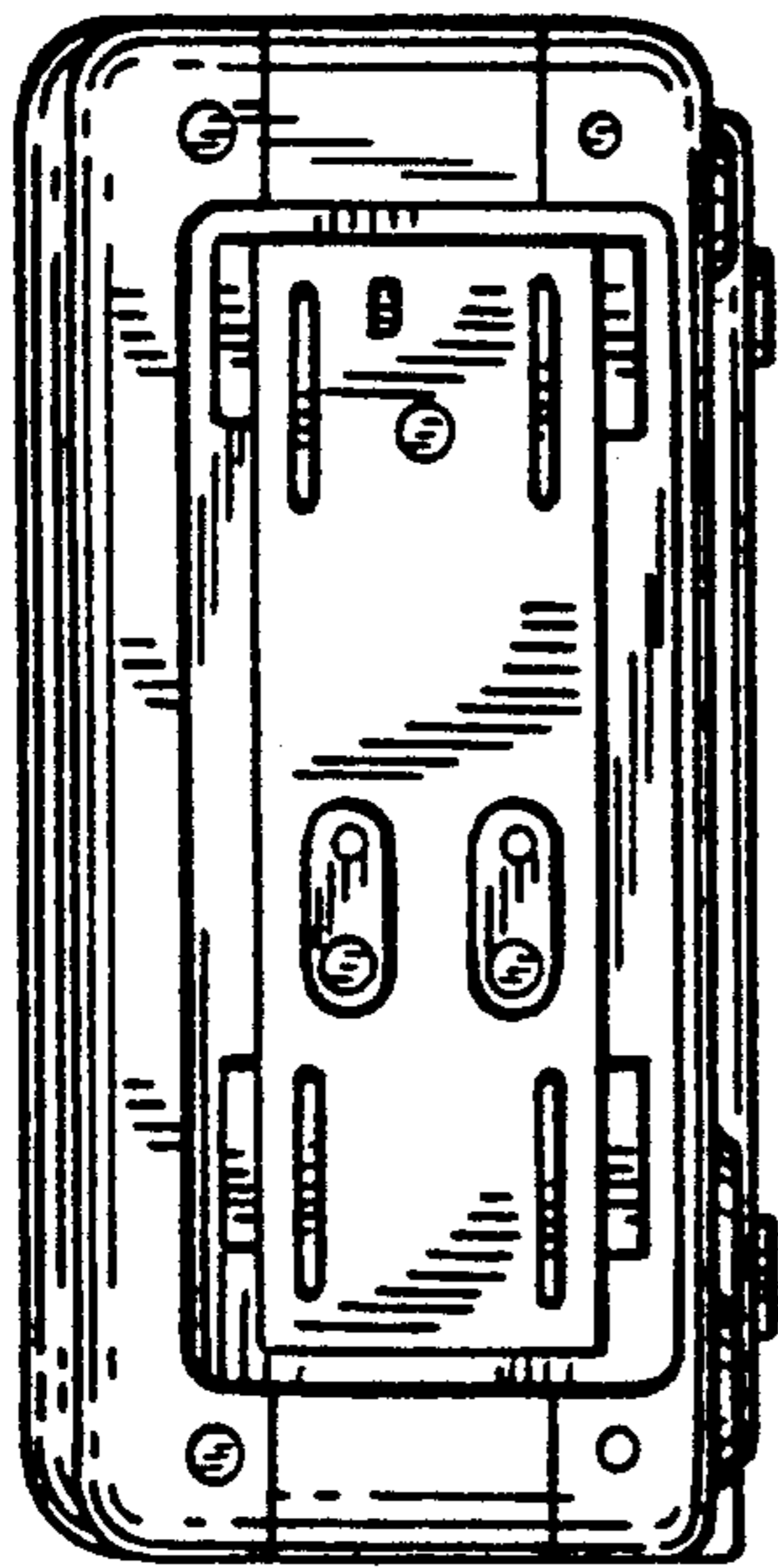


FIG. 9

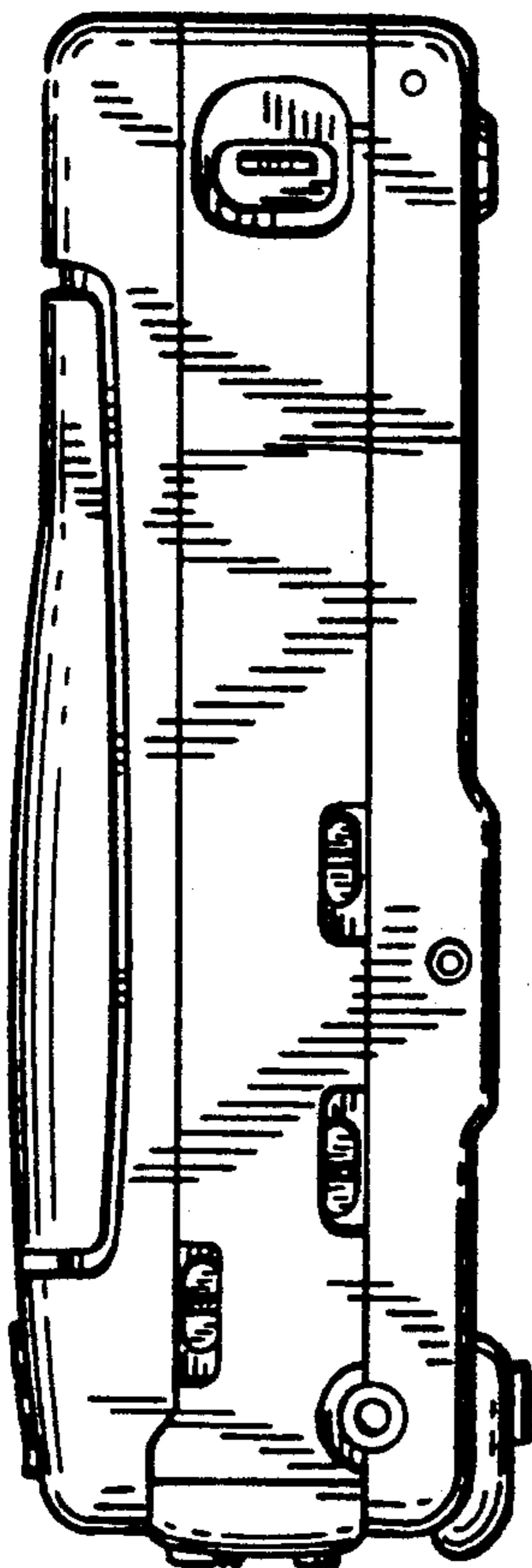


FIG. 4

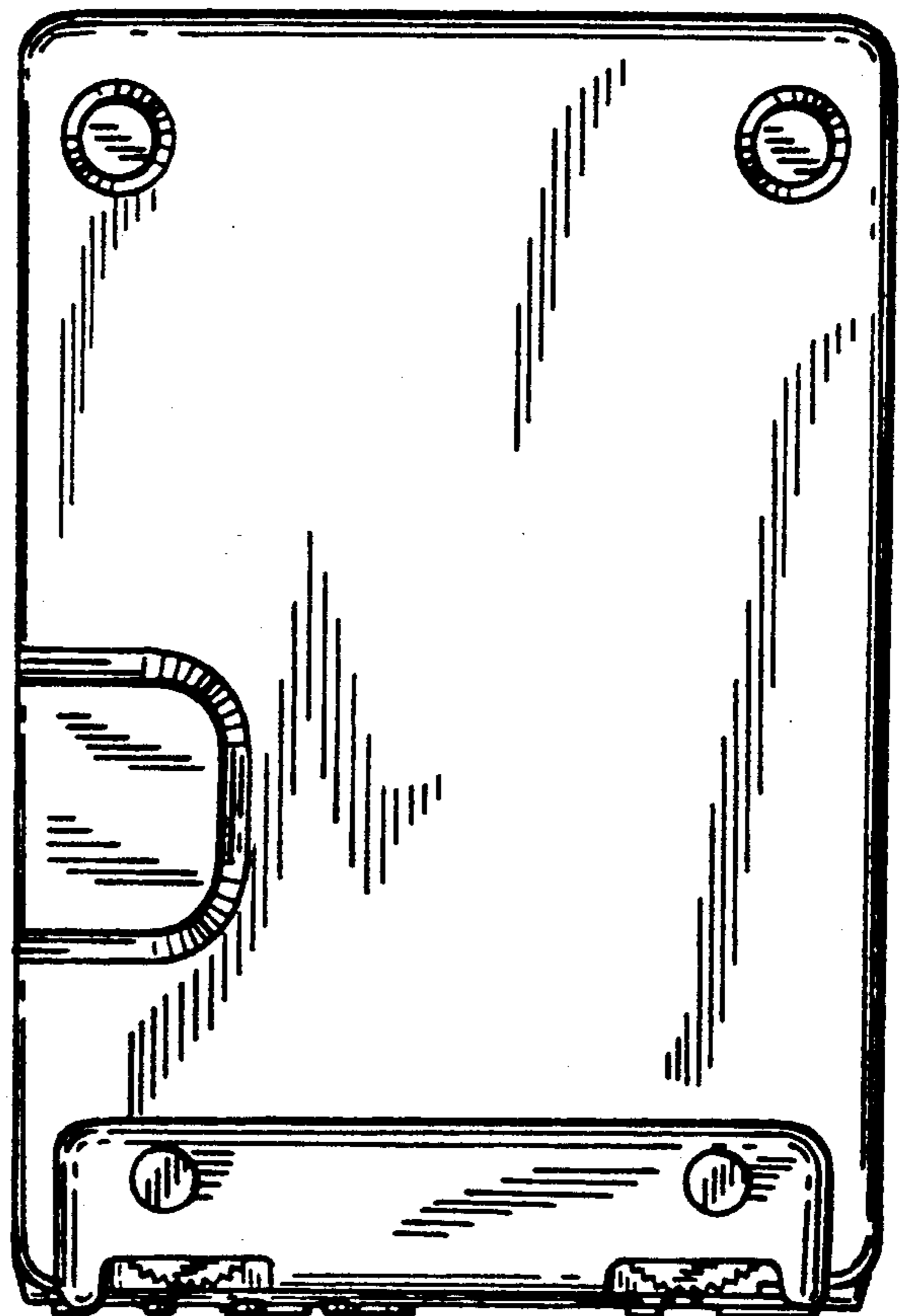


FIG. 6

FIG. 5

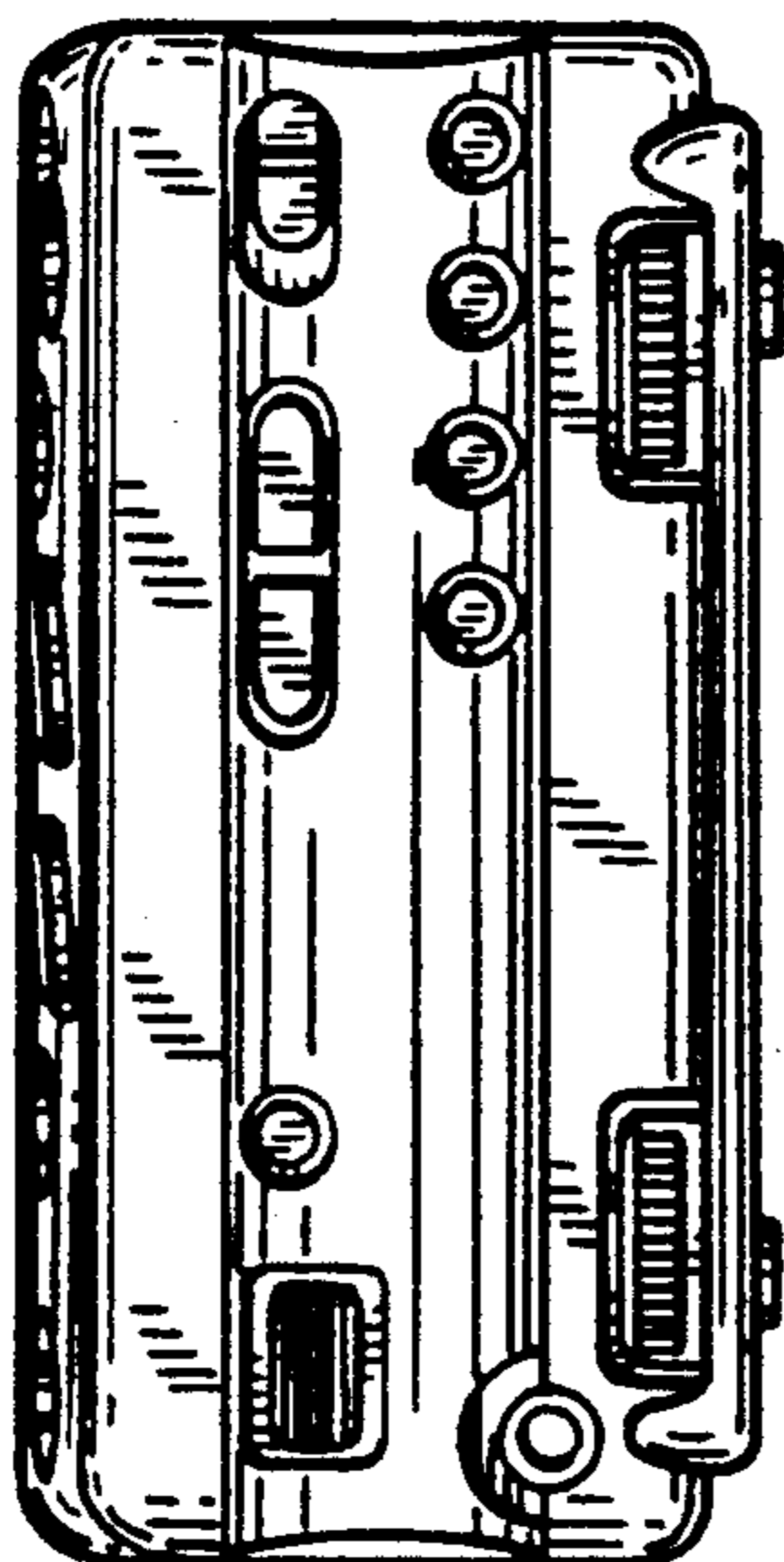
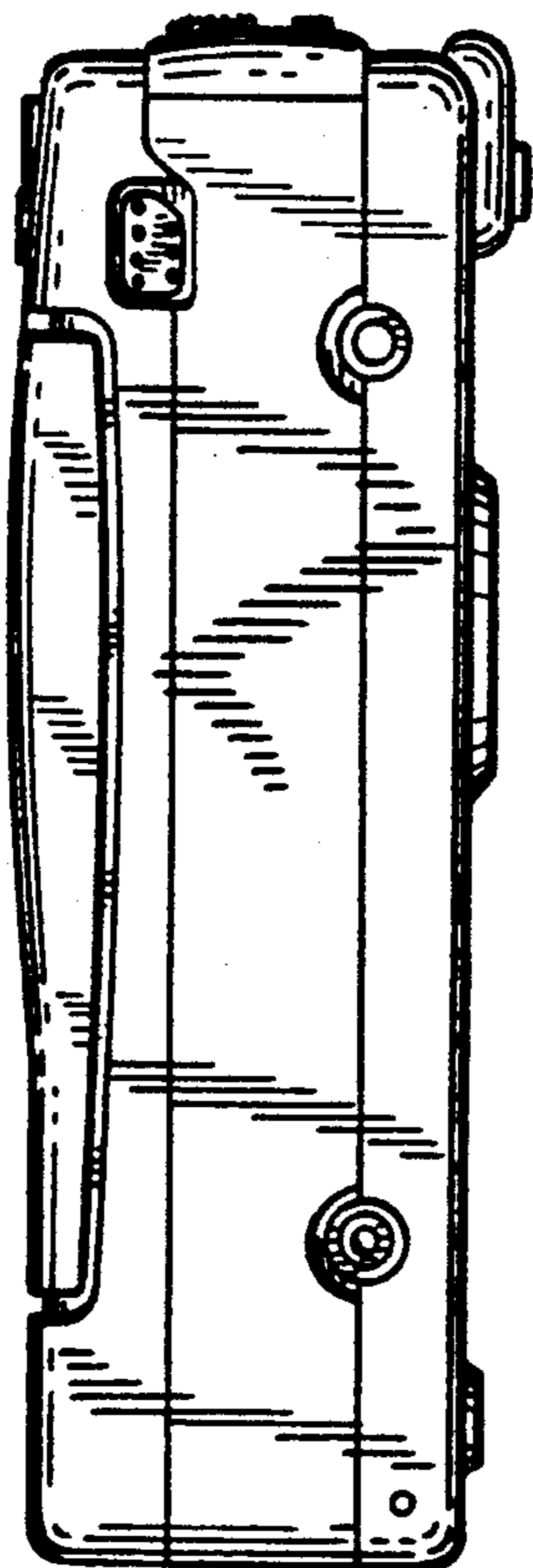


FIG. 7

FIG. 8

