



US00D336291S

United States Patent [19]

[11] Patent Number: **Des. 336,291**

Shimose

[45] Date of Patent: **** Jun. 8, 1993**

[54] **UNITARY VIDEO CASSETTE RECORDER AND TELEVISION RECEIVER**

D. 306,856	3/1990	Shimose et al.	D14/129
D. 310,363	9/1990	Shim	D14/129
D. 310,522	9/1990	Yang	D14/129
D. 324,517	3/1992	Barbieri	D14/126 X

[75] Inventor: **Norihiko Shimose, Ehime, Japan**

[73] Assignee: **Matsushita Electric Industrial Co., Ltd., Osaka, Japan**

[**] Term: **14 Years**

Primary Examiner—Theodore M. Shooman
Attorney, Agent, or Firm—Sughrue, Mion, Zinn, Macpeak & Seas

[21] Appl. No.: **731,100**

[57] **CLAIM**

[22] Filed: **Jul. 17, 1991**

The ornamental design for a unitary video cassette recorder and television receiver, as shown.

[30] **Foreign Application Priority Data**

Jan. 23, 1991 [JP] Japan 3-1418

[52] U.S. Cl. **D14/129**

[58] Field of Search D14/113, 124-134;
358/60, 237-239, 254-255

DESCRIPTION

[56] **References Cited**

U.S. PATENT DOCUMENTS

D. 260,263	2/1981	Shoji et al.	D14/126
D. 298,322	11/1988	Shim	D14/129

FIG. 1 is a front, top and right side perspective view of a unitary video cassette recorder and television receiver showing my new design;
FIG. 2 is a front elevational view thereof;
FIG. 3 is a rear elevational view thereof;
FIG. 4 is a right side elevational view thereof;
FIG. 5 is a left side elevational view thereof;
FIG. 6 is a top plan view thereof; and,
FIG. 7 is a bottom plan view thereof.

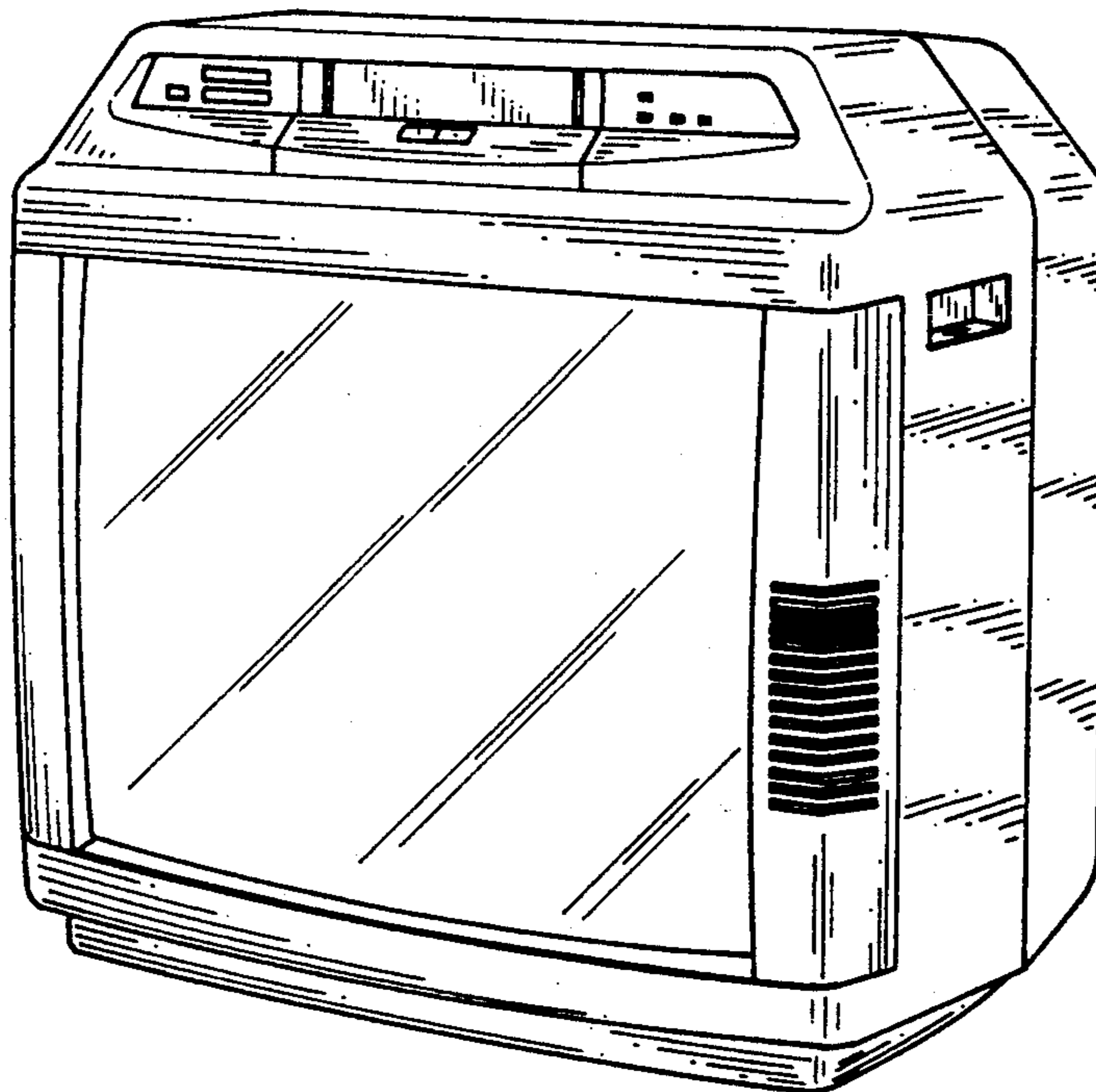


Fig. 1

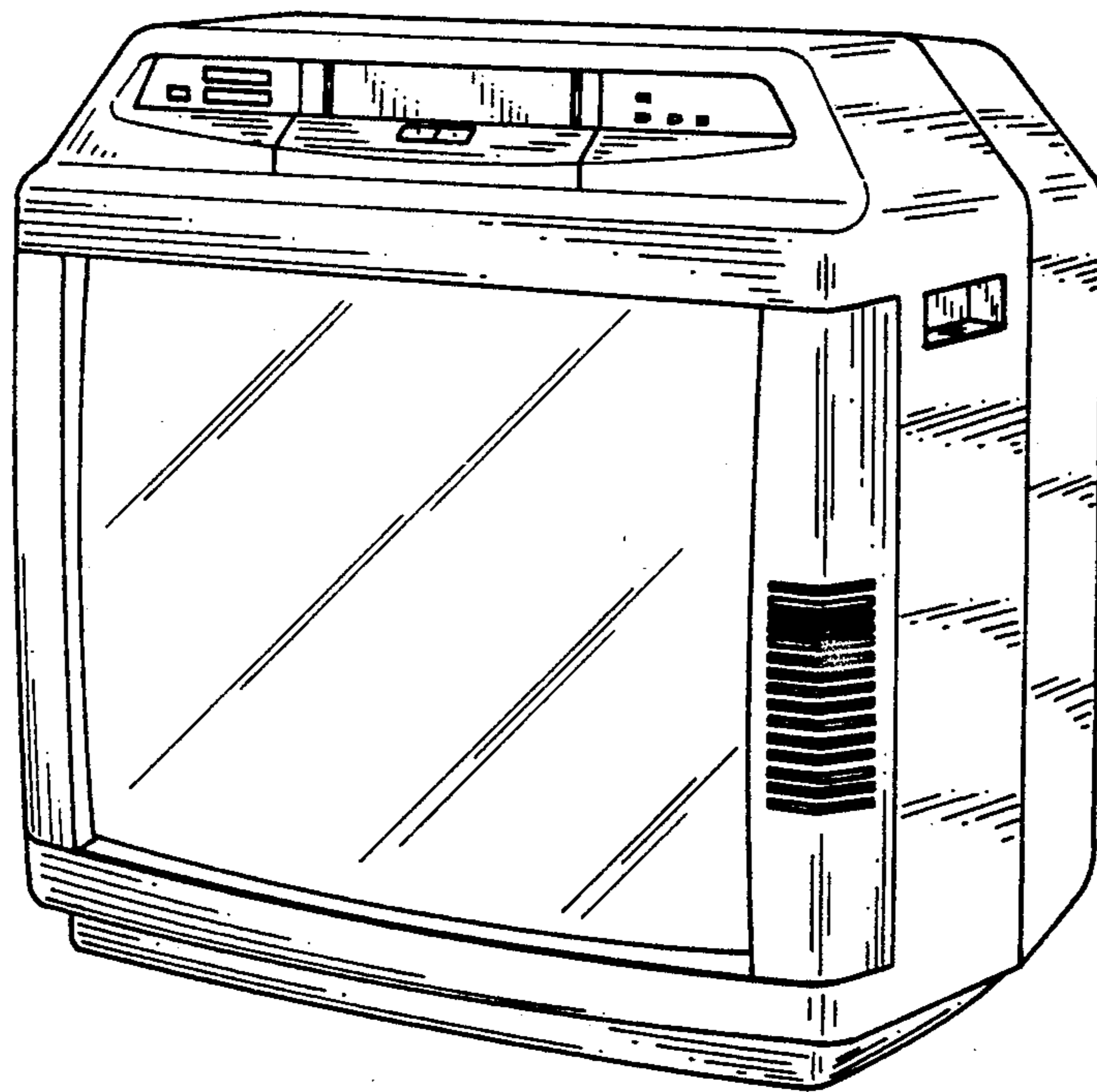


Fig. 2

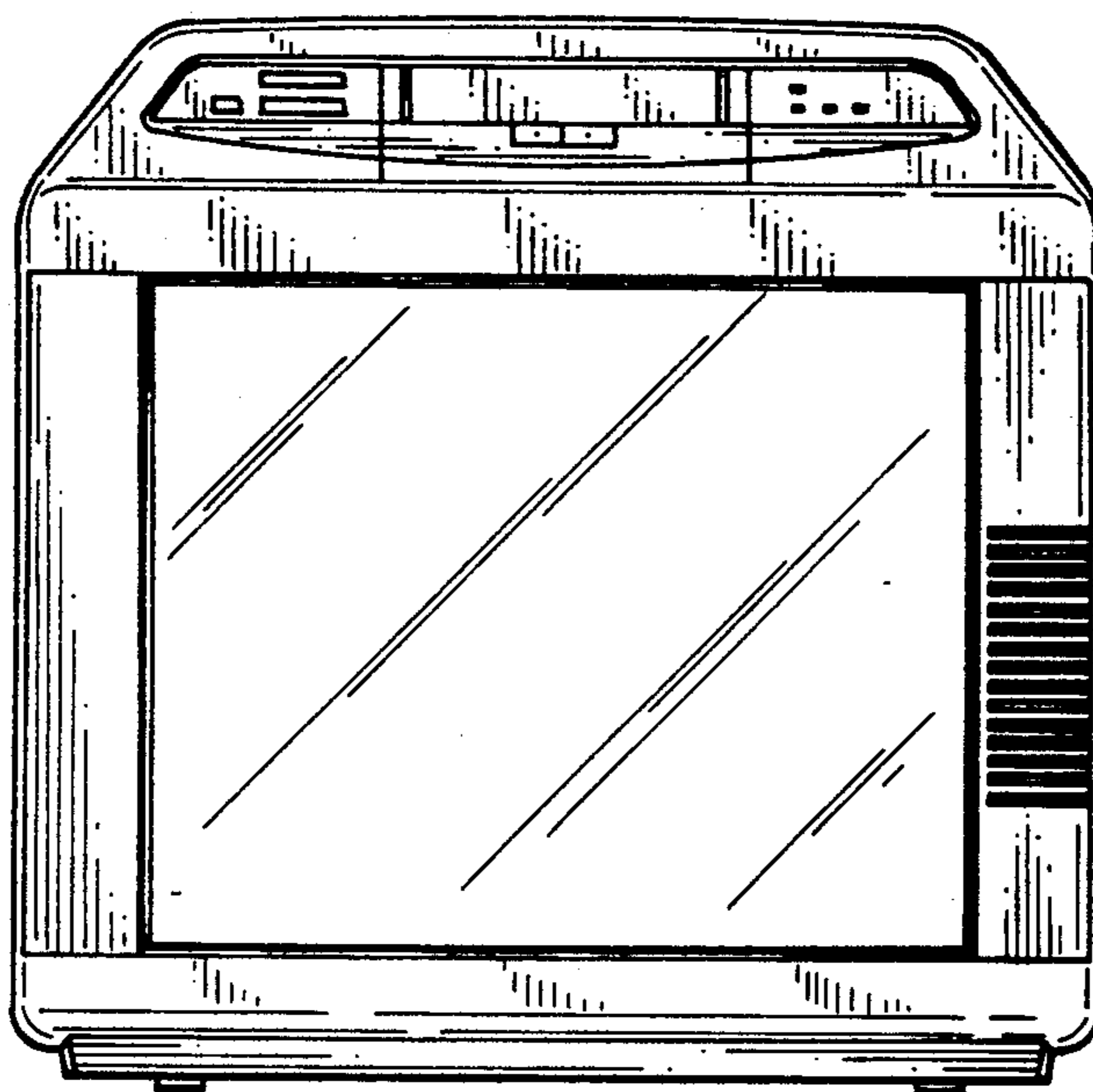


Fig. 3

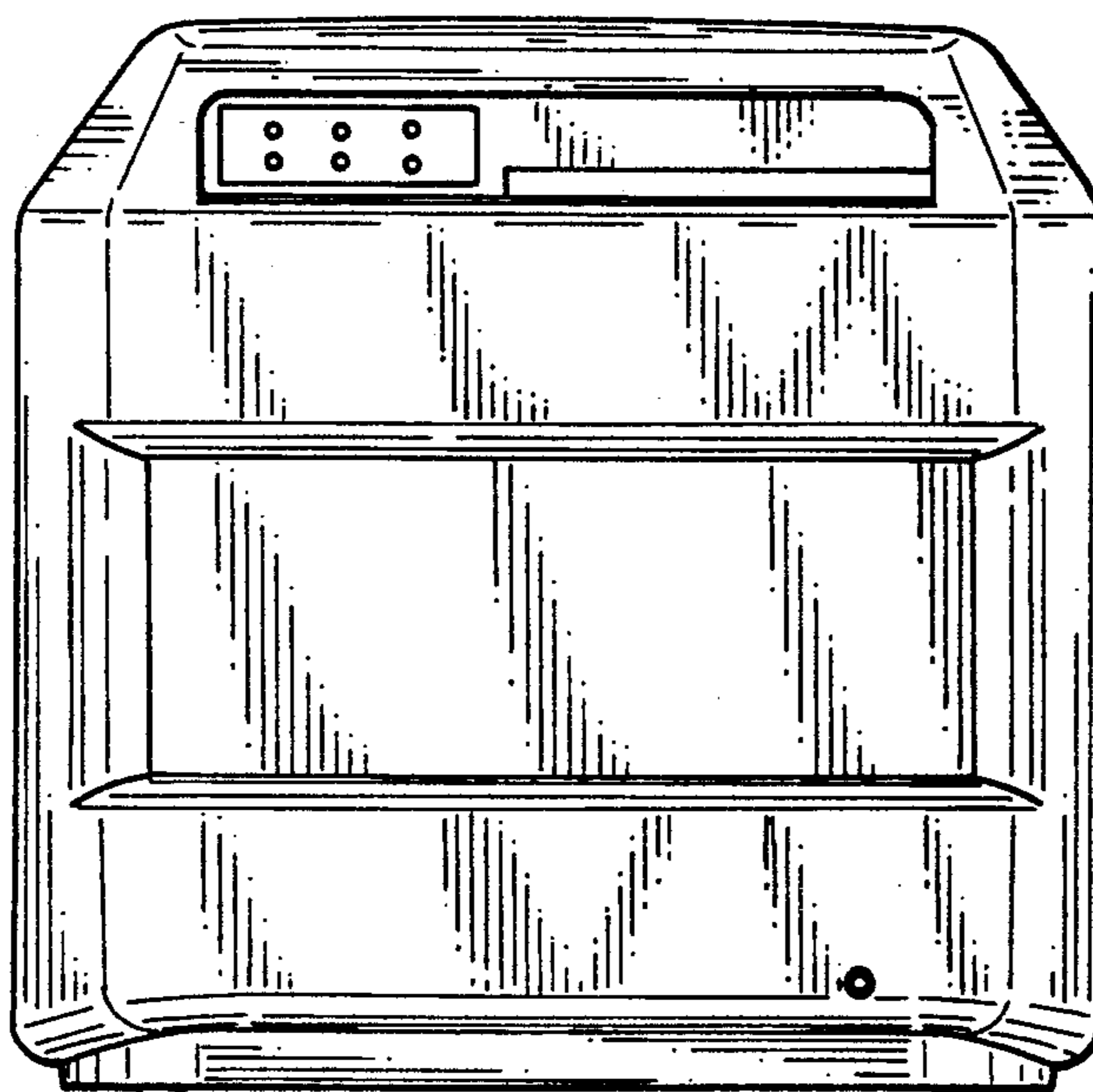


Fig. 4

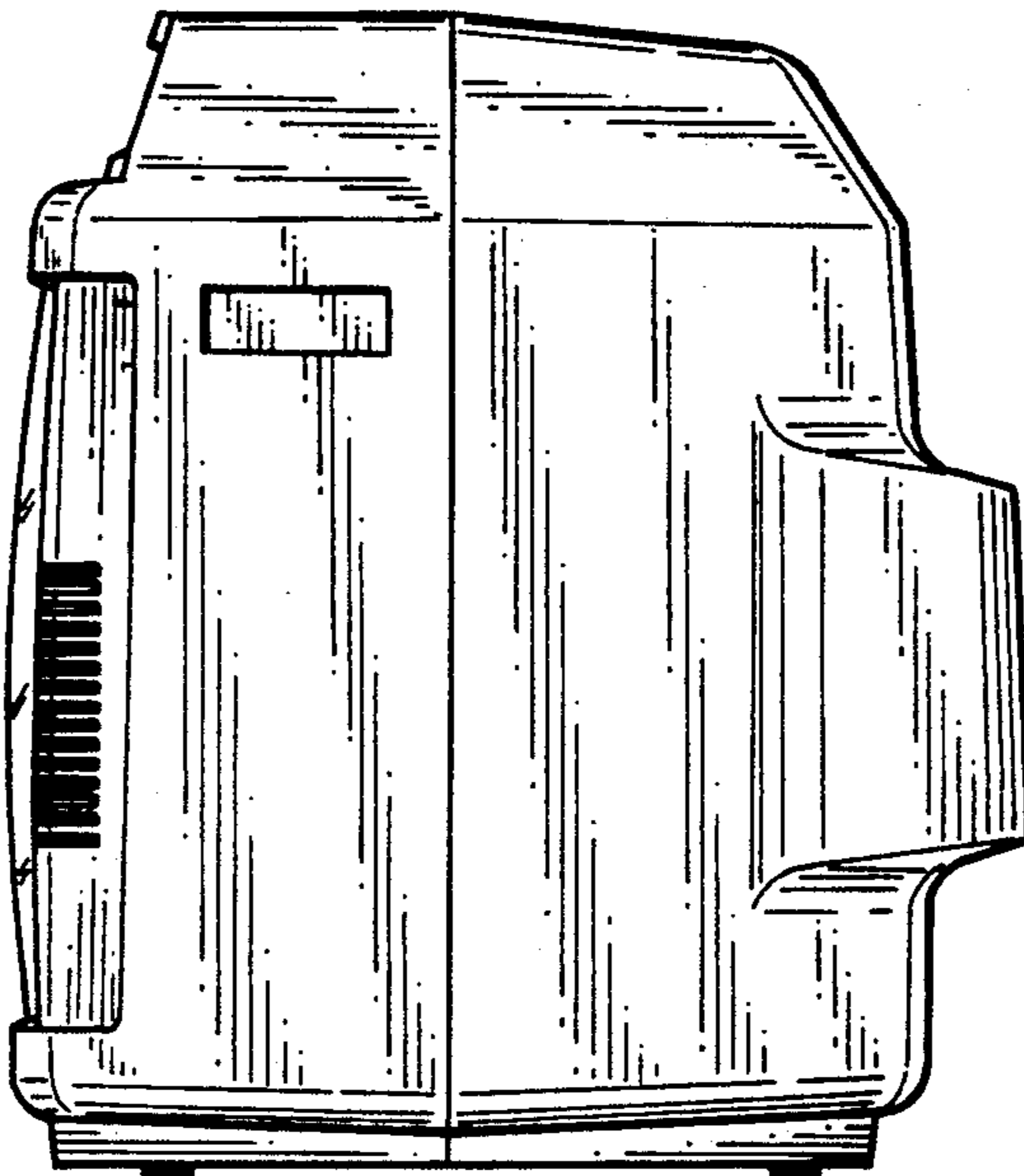


Fig. 5

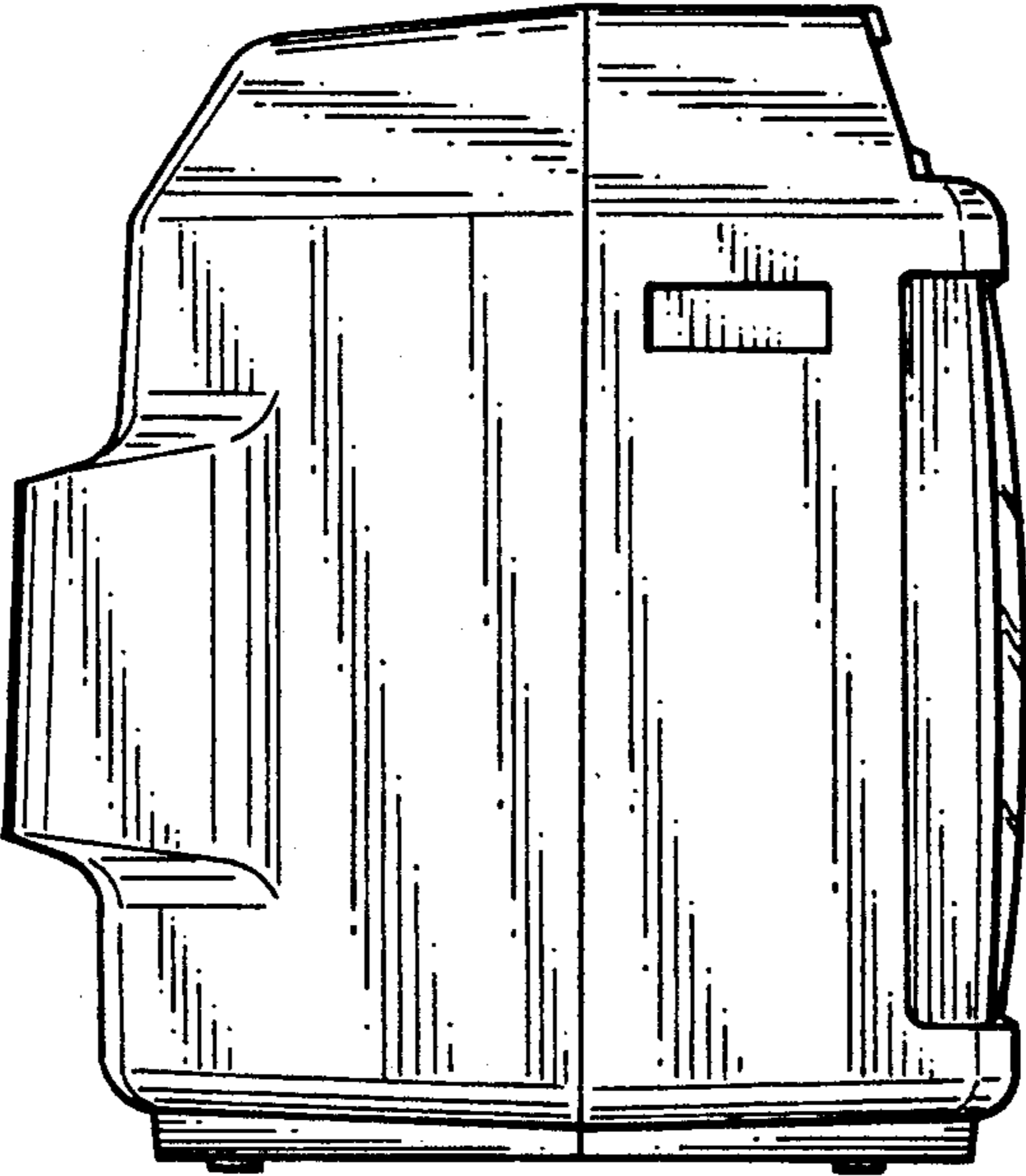


Fig. 6

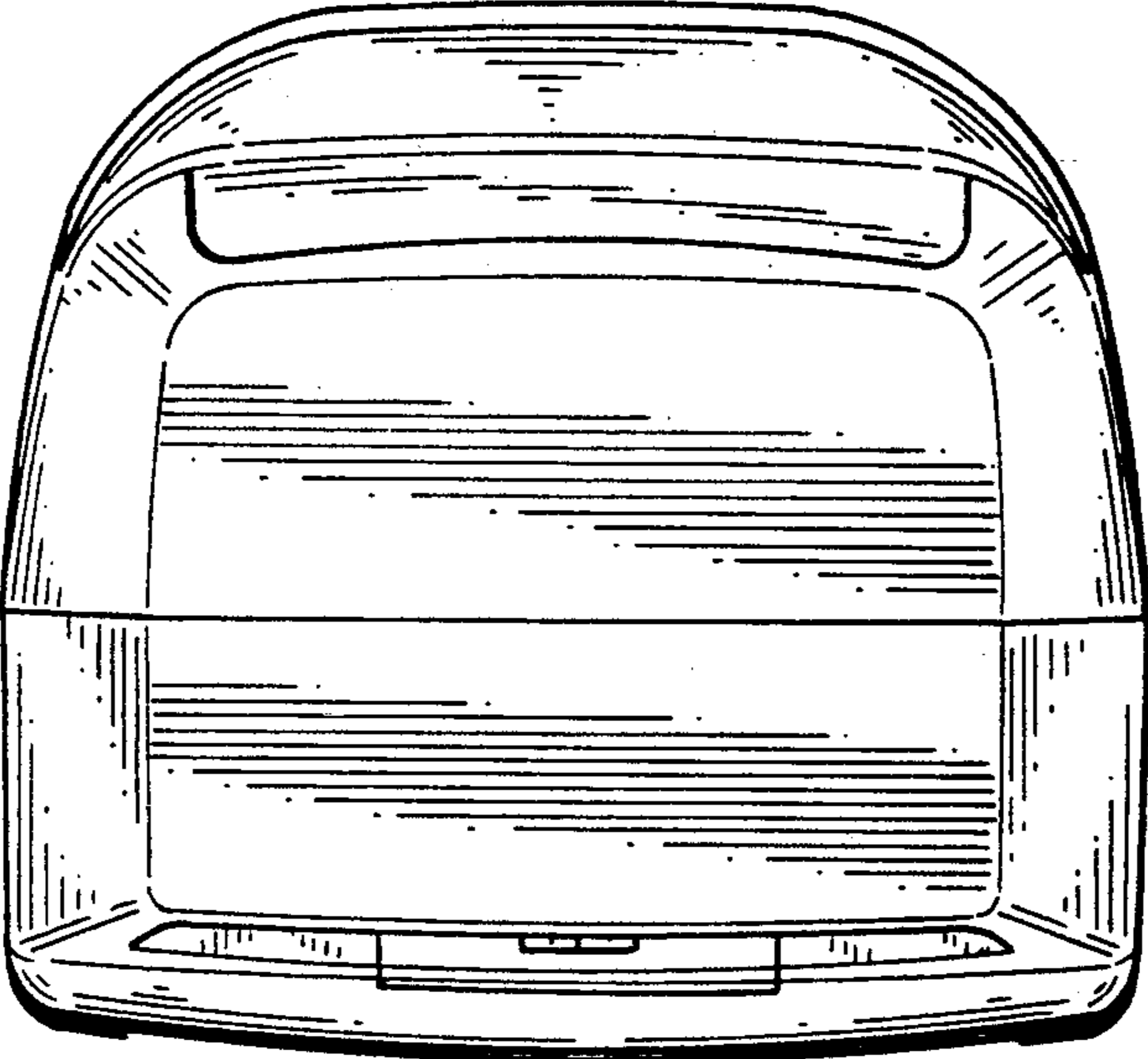


Fig. 7

