



US00D336289S

# United States Patent [19] Hill

[11] Patent Number: **Des. 336,289**

[45] Date of Patent: **\*\* Jun. 8, 1993**

[54] **DISK DRIVE**

[75] Inventor: **David W. Hill, Rochester, Minn.**

[73] Assignee: **International Business Machines Corporation, Armonk, N.Y.**

[\*\*] Term: **14 Years**

[21] Appl. No.: **598,446**

[22] Filed: **Oct. 15, 1990**

[52] U.S. Cl. .... **D14/109; D14/107**

[58] Field of Search ..... **D14/108, 109, 100, 114; 206/312, 444; 360/97.01-9912, 133; 361/380, 390-395**

[56] **References Cited**

**U.S. PATENT DOCUMENTS**

- D. 295,749 5/1988 Kelley, Jr. et al. .... D14/109 X
- D. 306,578 3/1990 Ishikawa et al. .... D14/109
- D. 307,135 4/1990 Sato et al. .... D14/109 X
- D. 308,047 5/1990 Aderman et al. .... D14/109 X

- D. 314,561 2/1991 Watanabe ..... D14/108
- D. 314,562 2/1991 Ito et al. .... D14/108
- D. 319,225 8/1991 Kline et al. .... D14/109
- 4,397,511 8/1983 Clark et al. .... 361/392 X

*Primary Examiner*—Wallace R. Burke  
*Assistant Examiner*—M. H. Tung  
*Attorney, Agent, or Firm*—Roy W. Truelson

[57] **CLAIM**

The ornamental design for a disk drive, as shown and described.

**DESCRIPTION**

FIG. 1 is a top, front, right side perspective view of a disk drive showing my new design, on an enlarged scale;

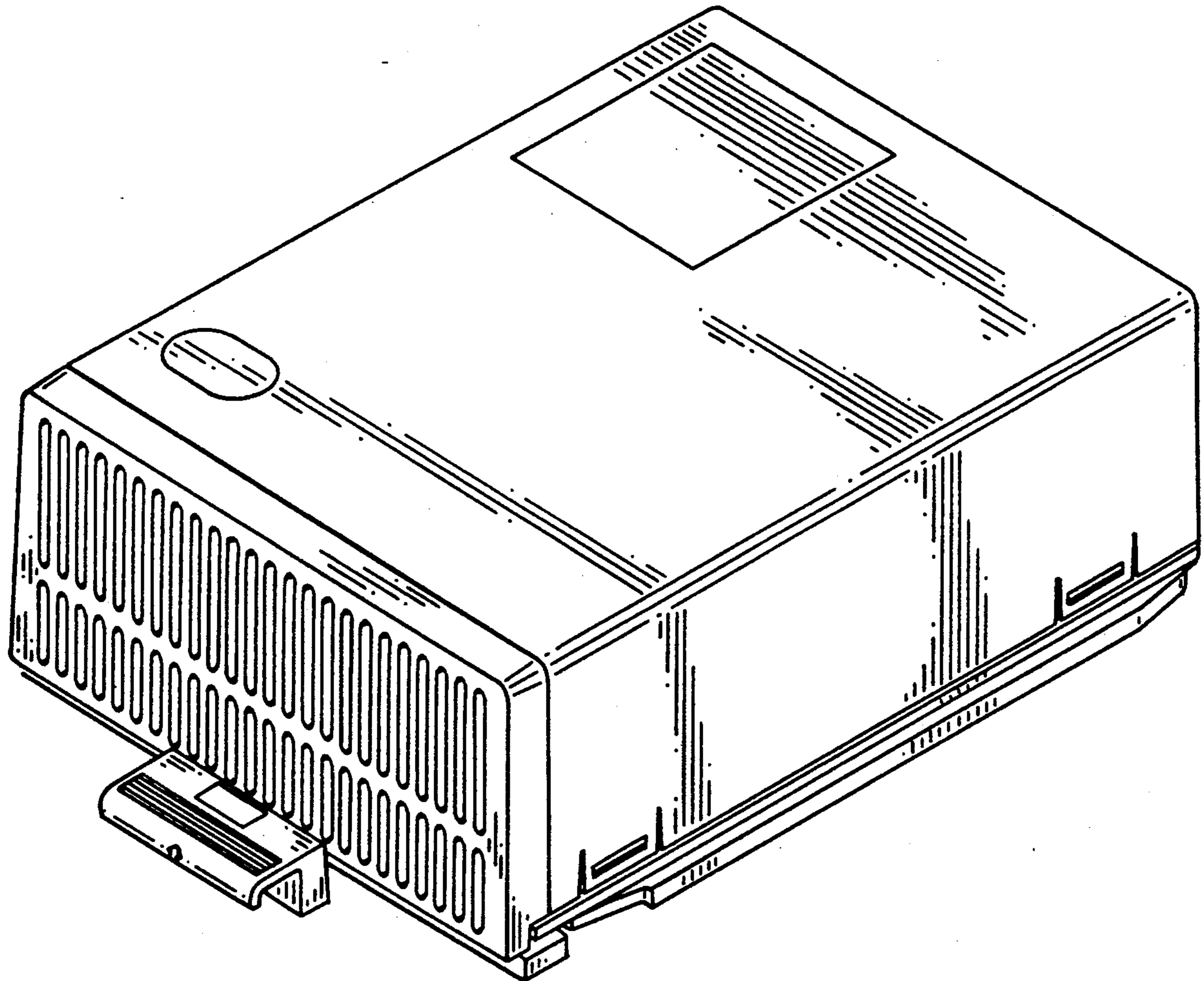
FIG. 2 is a front elevational view thereof;

FIG. 3 is a right side elevational view thereof;

FIG. 4 is a rear elevational view thereof;

FIG. 5 is a bottom plan view thereof; and,

FIG. 6 is a left side elevational view thereof.



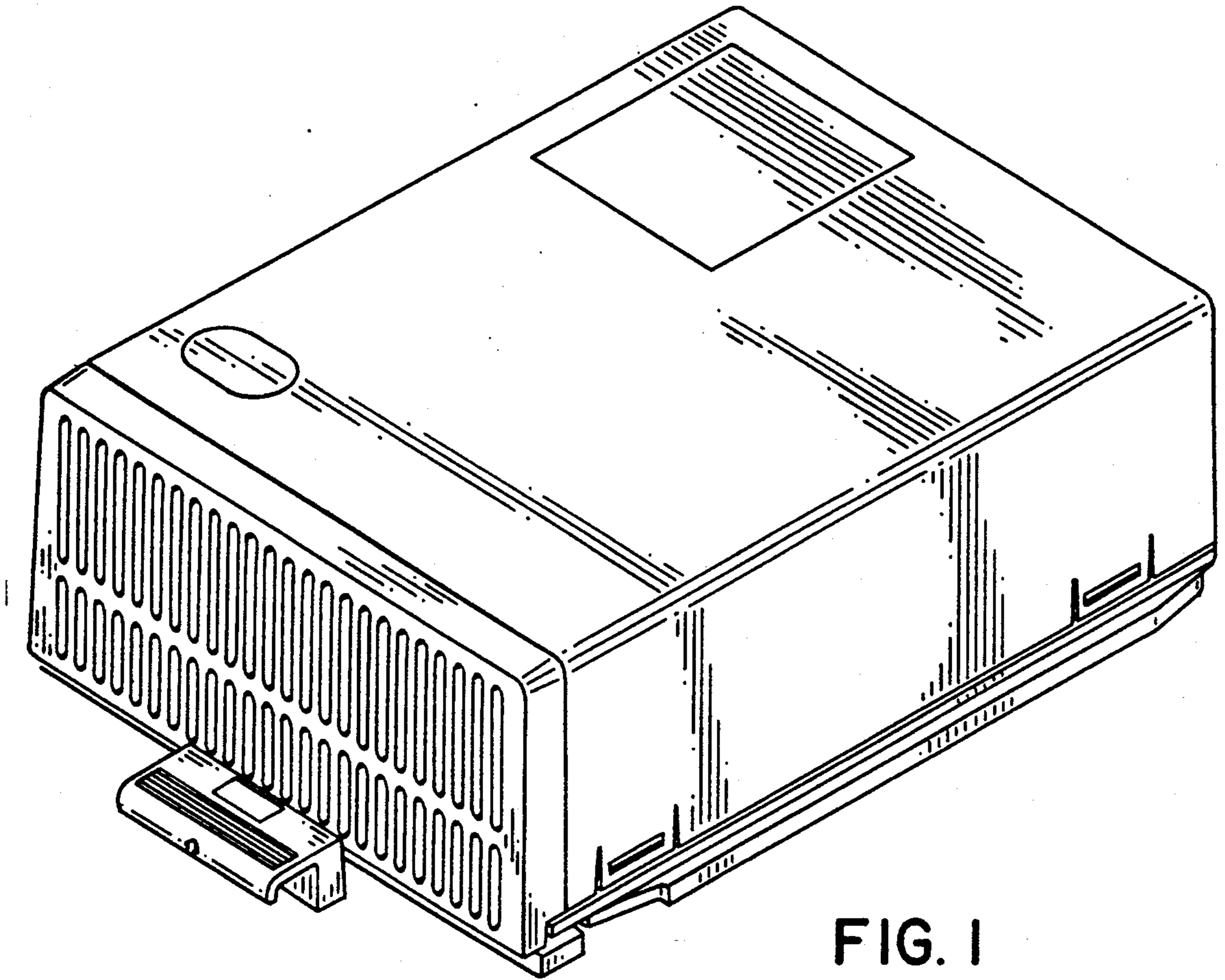


FIG. 1

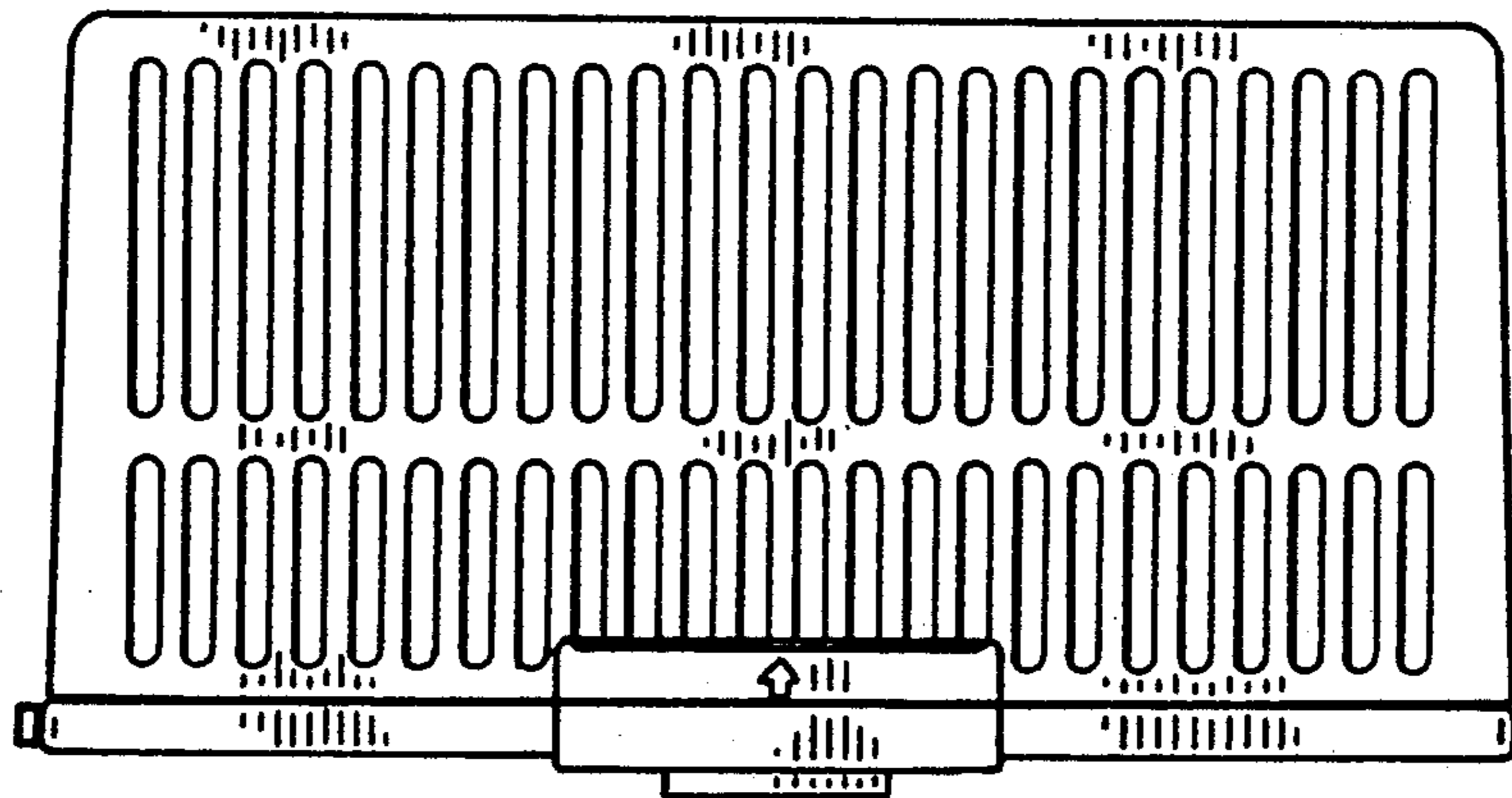


FIG. 2

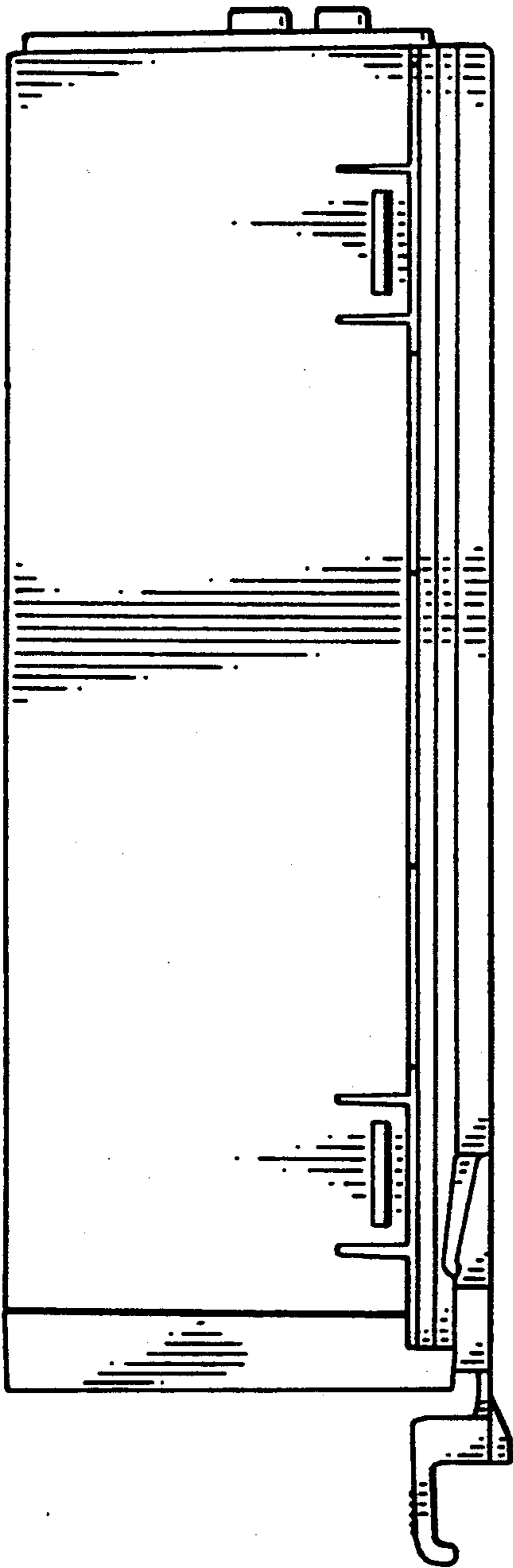


FIG. 3

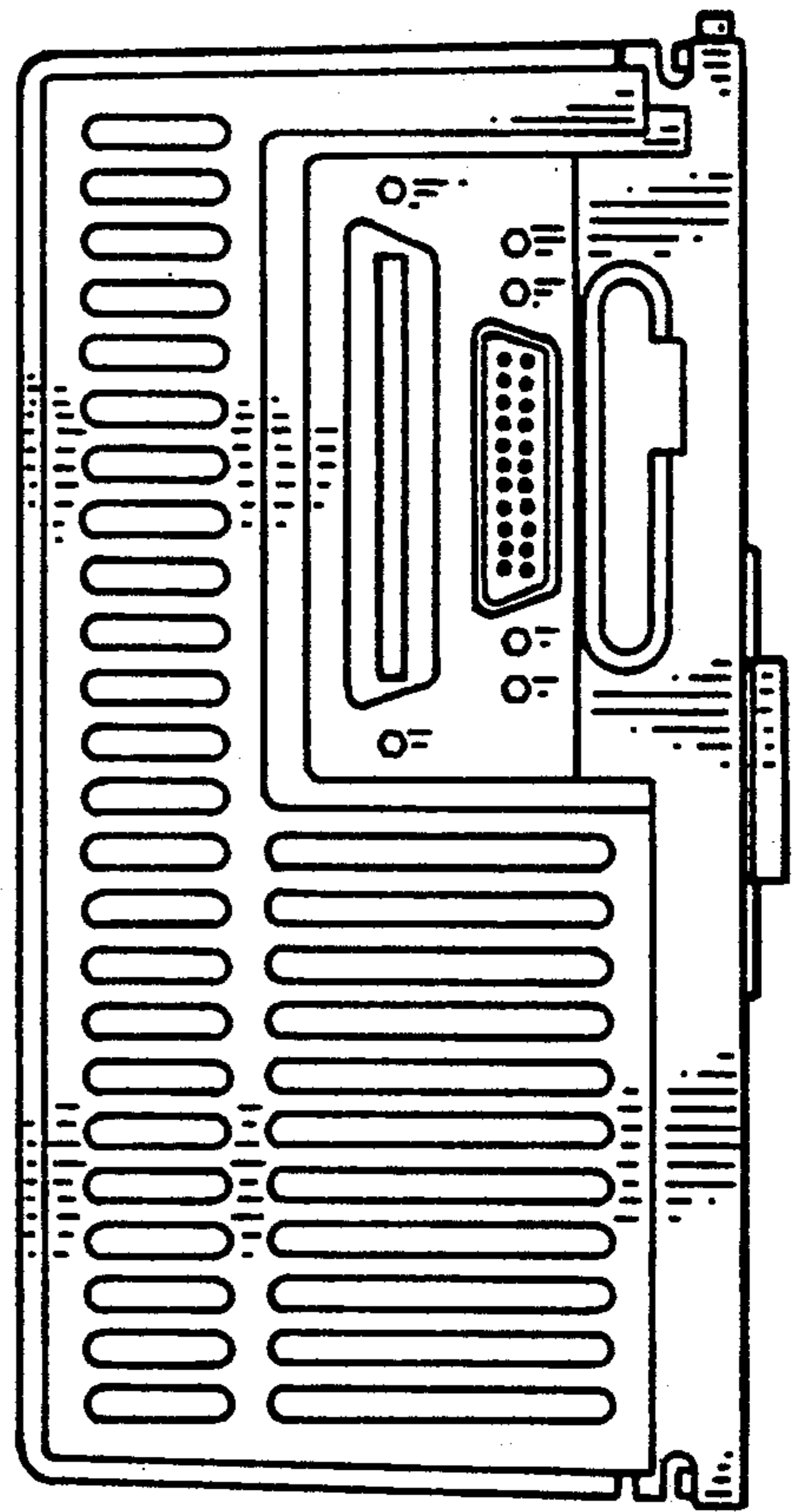


FIG. 4



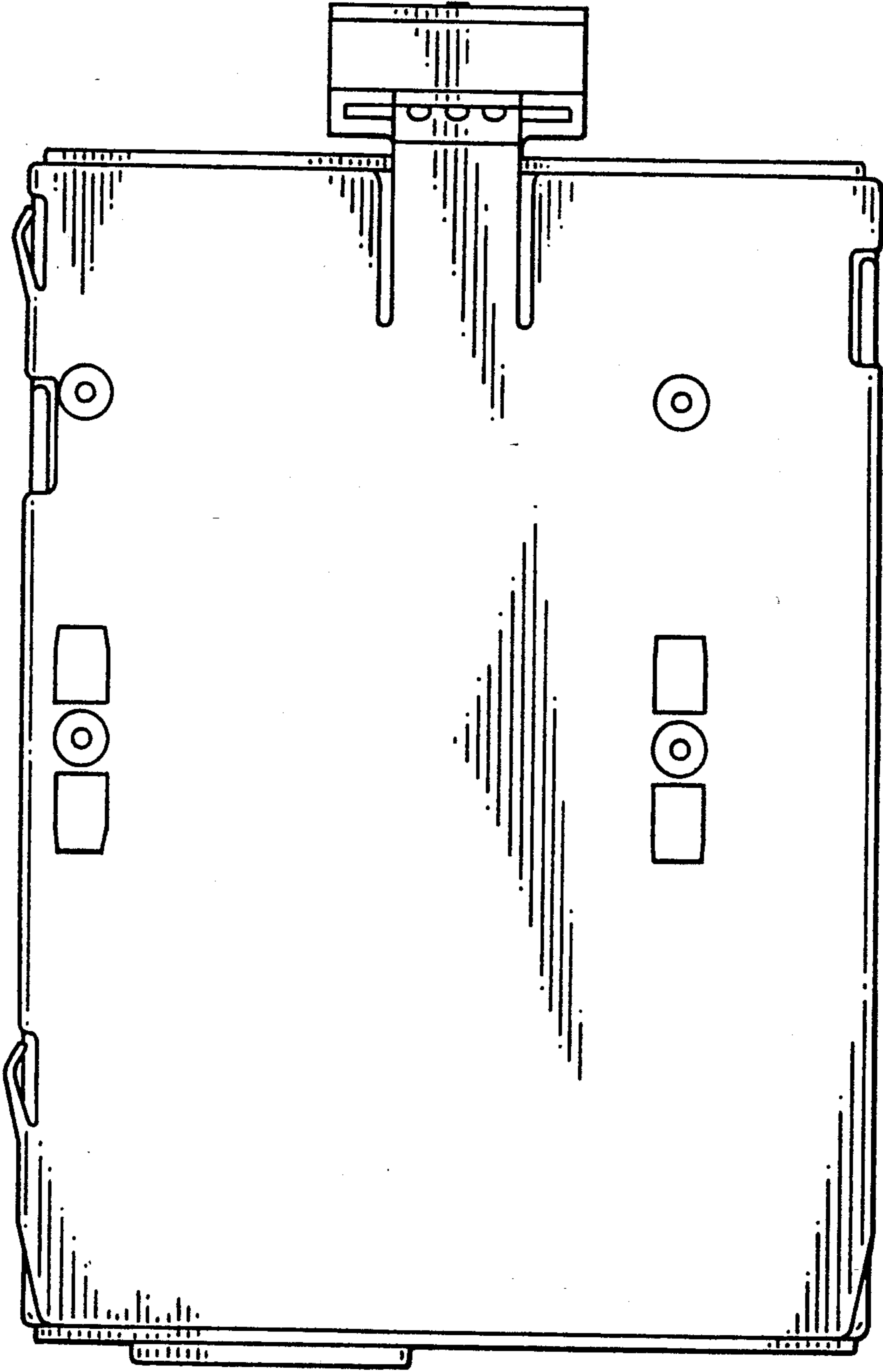


FIG. 5

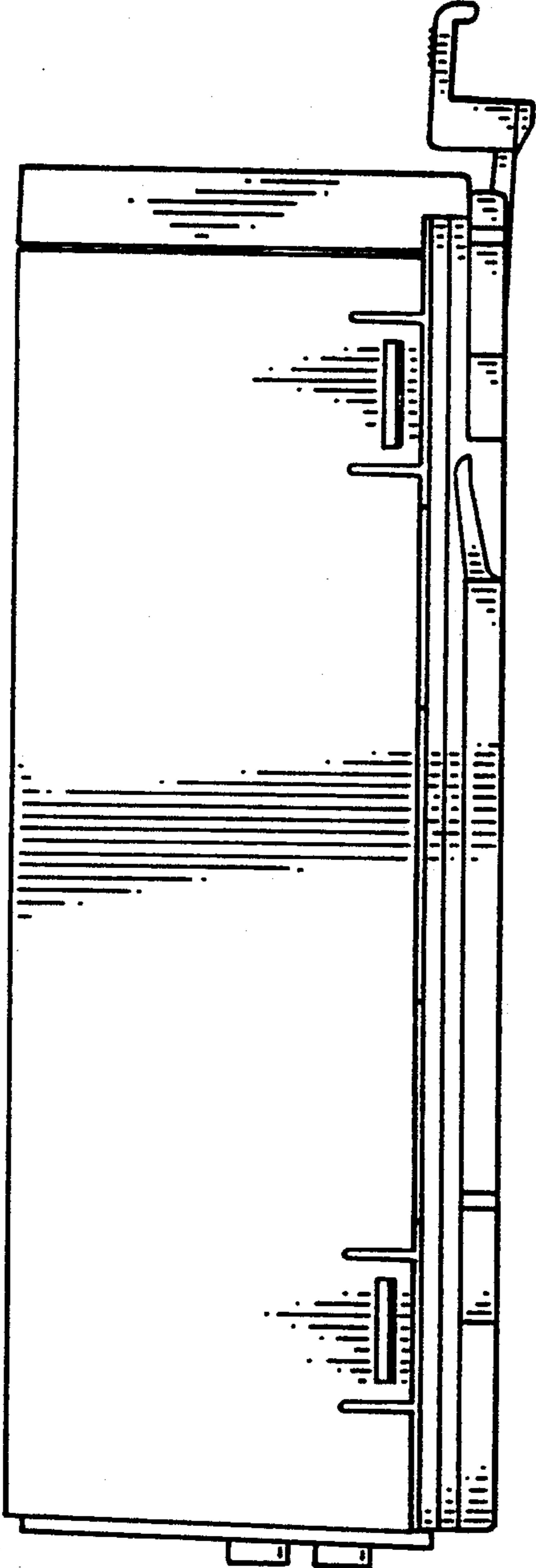


FIG. 6