



US00D336288S

United States Patent [19] Hill

[11] Patent Number: **Des. 336,288**

[45] Date of Patent: **** Jun. 8, 1993**

[54] **MAGNETIC TAPE CARTRIDGE DRIVE**

[75] Inventor: **David W. Hill, Rochester, Minn.**

[73] Assignee: **International Business Machines Corporation, Armonk, N.Y.**

[**] Term: **14 Years**

[21] Appl. No.: **598,441**

[22] Filed: **Oct. 15, 1990**

[52] U.S. Cl. **D14/108; D14/107**

[58] Field of Search **D14/108-109, D14/100, 114; 206/312, 444; 360/97.01-99.12, 133; 361/380, 390-395**

D. 314,561	2/1991	Watanabe	D14/108
D. 314,562	2/1991	Ito et al.	D14/108
D. 319,225	8/1991	Kline et al.	D14/109
4,397,511	8/1993	Clark et al.	361/392 X

Primary Examiner—Wallace R. Burke
Assistant Examiner—M. H. Tung
Attorney, Agent, or Firm—Roy W. Truelson

[57] **CLAIM**

The ornamental design for a magnetic tape cartridge drive, as shown and described.

DESCRIPTION

FIG. 1 is a top, front, right side perspective view of a magnetic tape cartridge drive showing my new design, on an enlarged scale;

FIG. 2 is a front elevational view thereof;

FIG. 3 is a right side elevational view thereof;

FIG. 4 is a rear elevational view thereof;

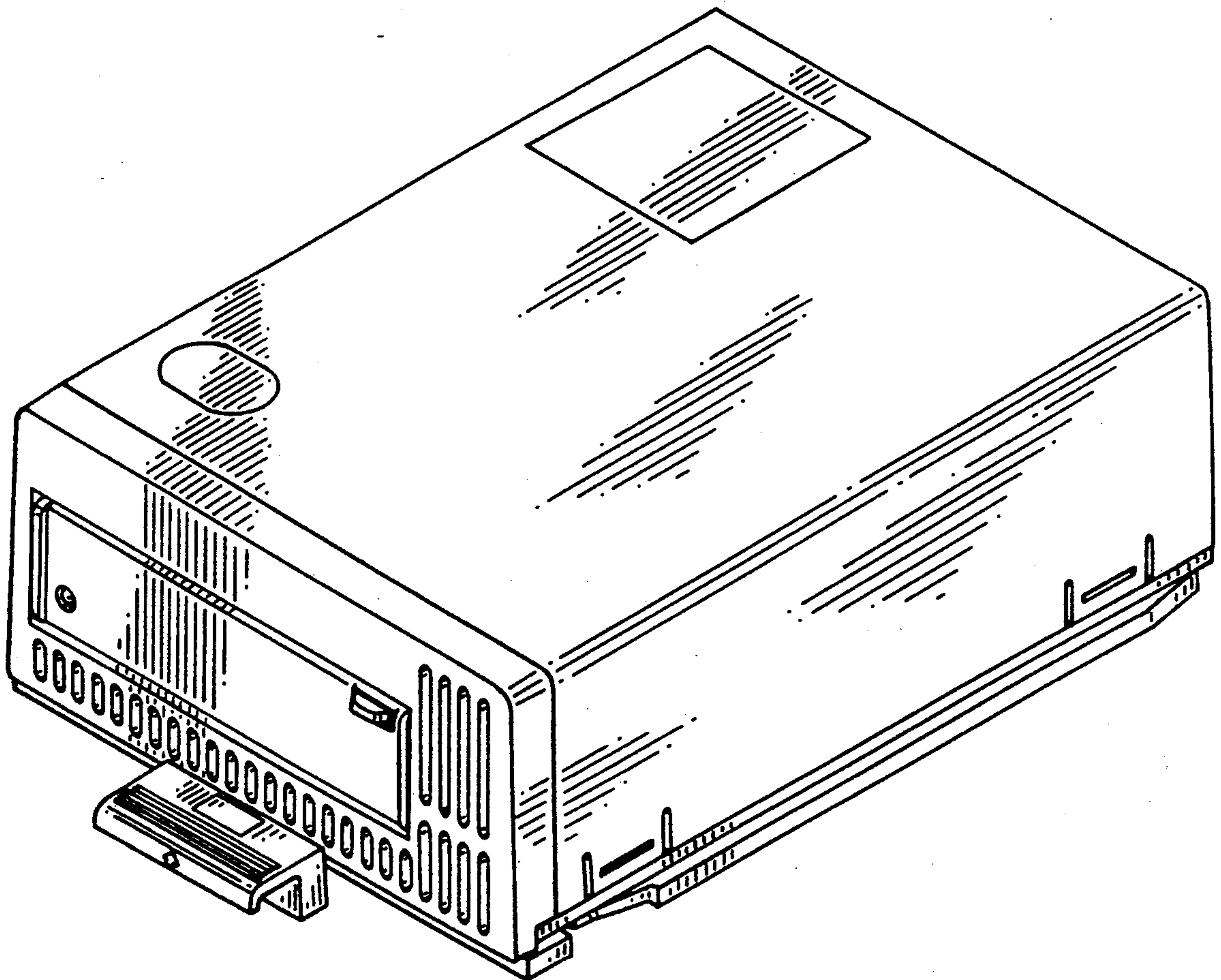
FIG. 5 is a bottom plan view thereof; and,

FIG. 6 is a left side elevational view thereof.

[56] **References Cited**

U.S. PATENT DOCUMENTS

D. 295,749	5/1988	Kelbey, Jr. et al.	D14/109 X
D. 306,578	3/1990	Ishikawa et al.	D14/109
D. 307,135	4/1990	Sato et al.	D14/109 X
D. 308,047	5/1990	Aderman et al.	D14/109 X



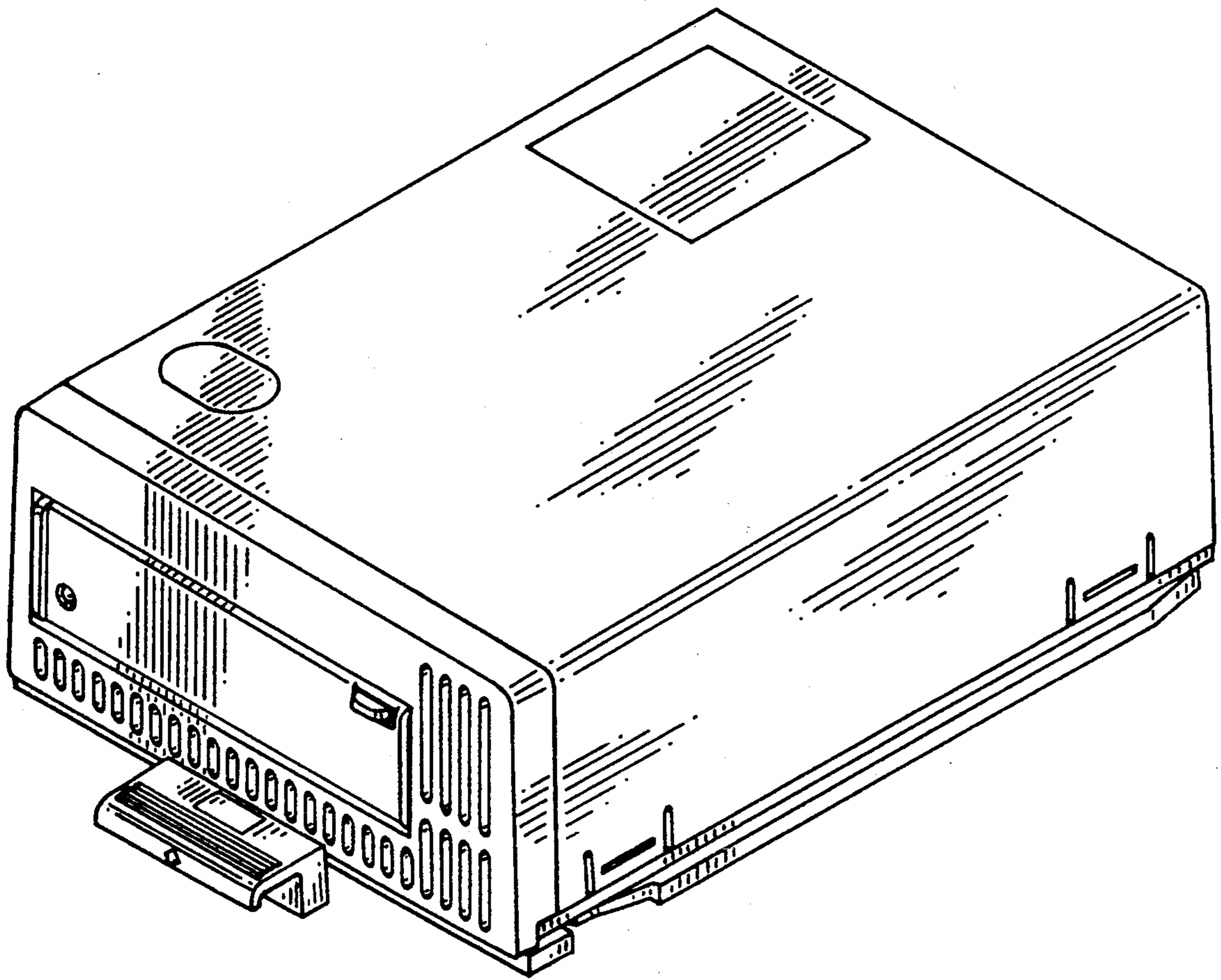


FIG. 1

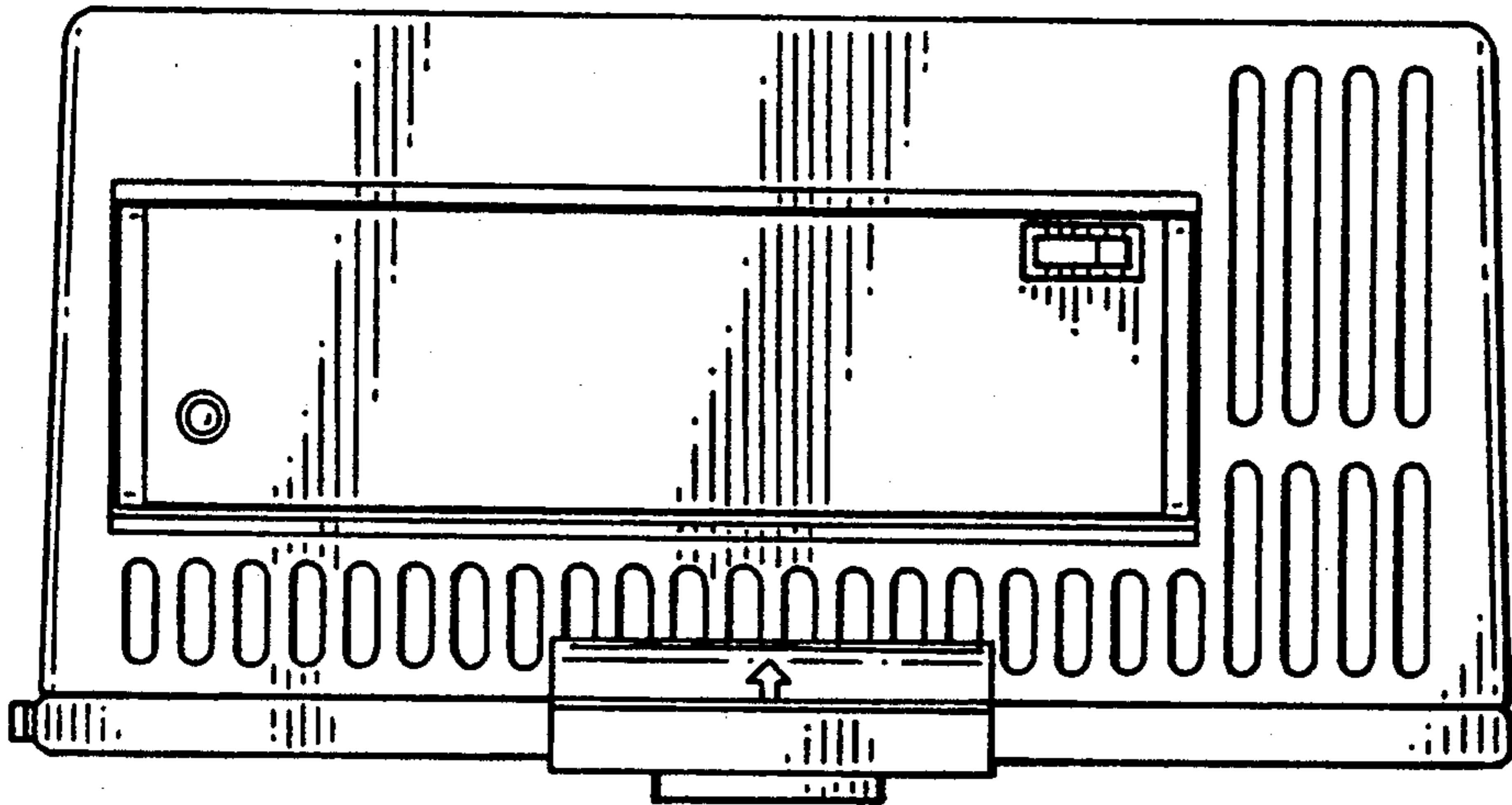


FIG. 2

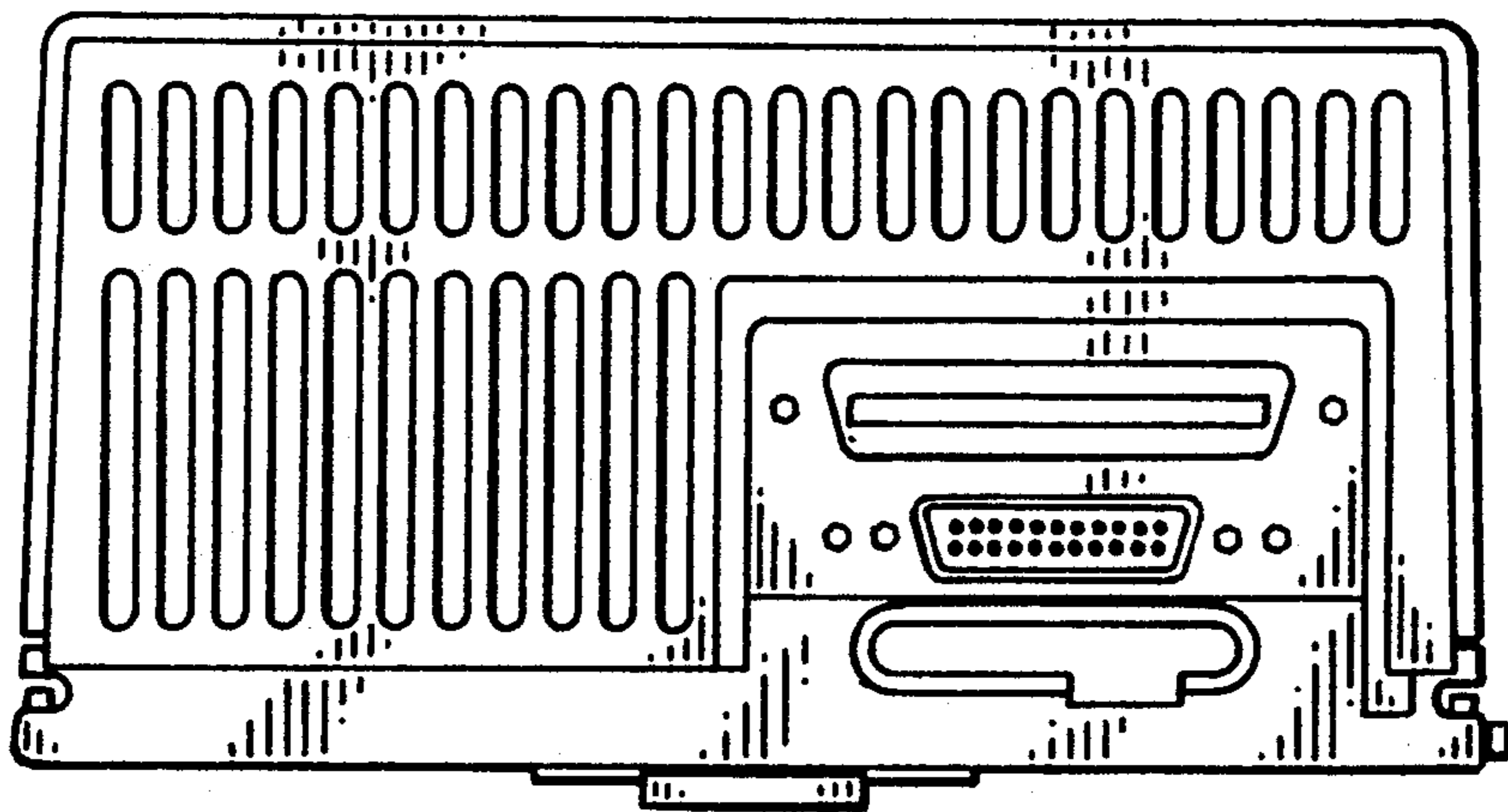


FIG. 4

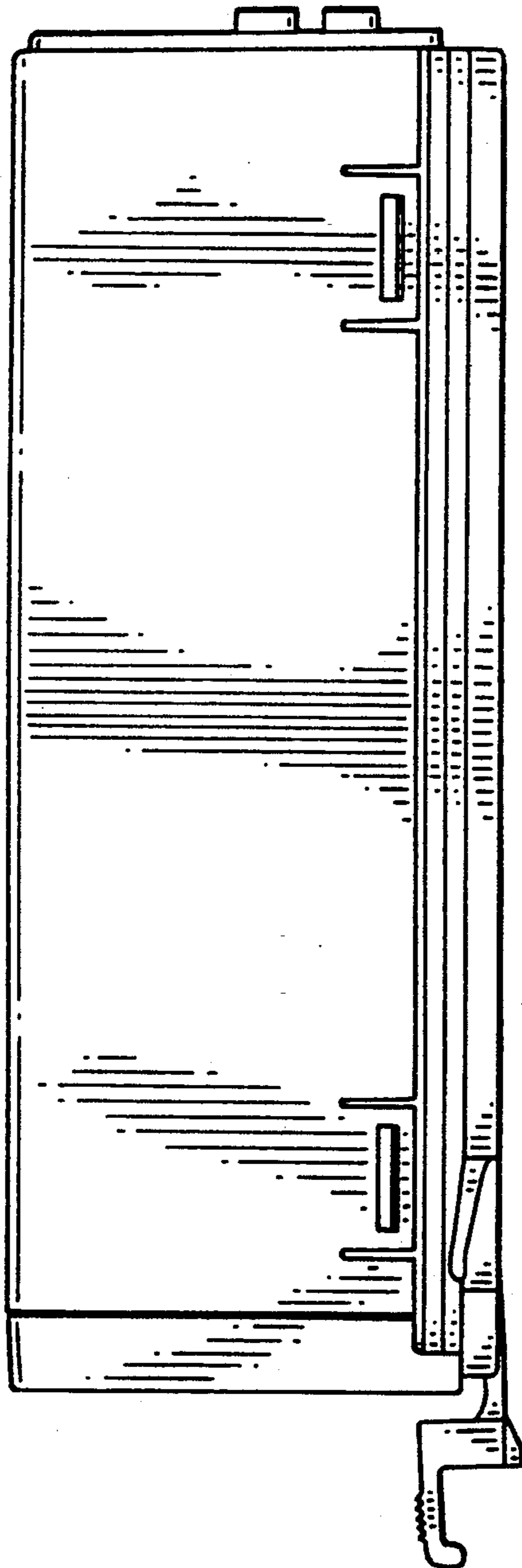


FIG. 3

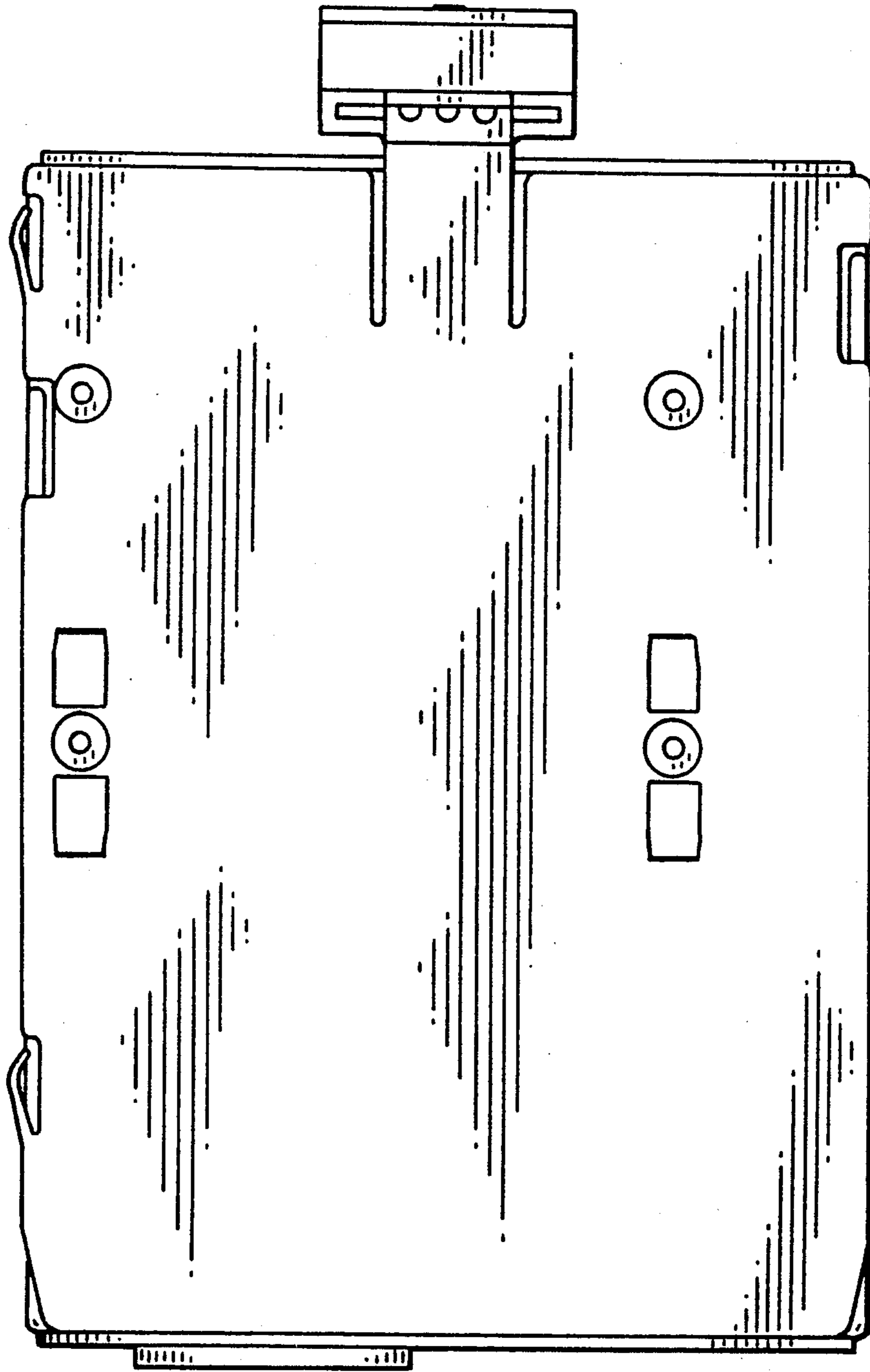


FIG. 5

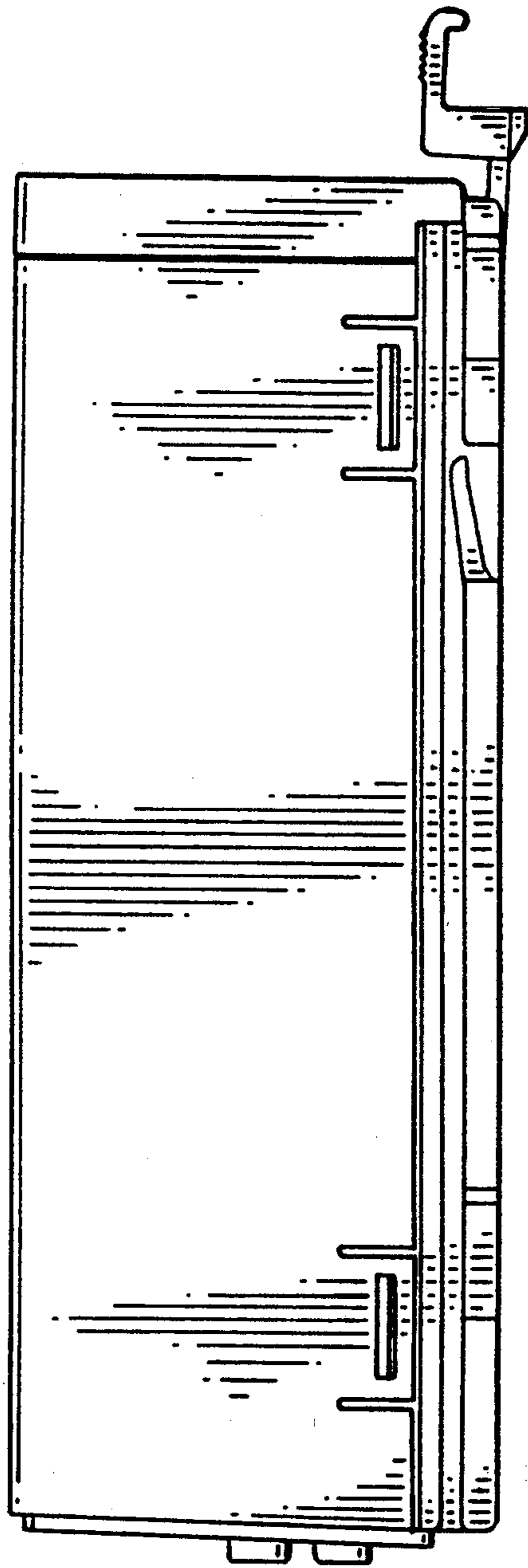


FIG. 6