



US00D336287S

United States Patent [19]

[11] Patent Number: **Des. 336,287**

Mizusugi et al.

[45] Date of Patent: **** Jun. 8, 1993**

[54] **EXPANSION UNIT FOR COMPUTER**

[75] Inventors: **Kanji Mizusugi, Mei; Kensho Tuji; Hiroshi Yamamizu**, both of Nara, all of Japan

[73] Assignee: **Sharp Kabushiki Kaisha**, Osaka, Japan

[**] Term: **14 Years**

[21] Appl. No.: **731,018**

[22] Filed: **Jul. 16, 1991**

[30] **Foreign Application Priority Data**

Jan. 25, 1991 [JP] Japan 3-1668

Jan. 25, 1991 [JP] Japan 3-1672

[52] U.S. Cl. **D14/107**

[58] Field of Search D14/100, 101, 106, 107, D14/114, 109; D18/1, 7, 11, 12; 340/700, 706; 364/708, 709.04; 361/390, 394

[56] **References Cited**

U.S. PATENT DOCUMENTS

D. 310,998 10/1990 Lee et al. D14/100

D. 330,889 11/1992 Ishida D14/100

FOREIGN PATENT DOCUMENTS

643544 1/1985 Japan D14/107

OTHER PUBLICATIONS

Marcus Corp. Catalog Oct. 9, 1985/ Vector Scanner.

Primary Examiner—Wallace R. Burke
Assistant Examiner—Freda S. Nunn
Attorney, Agent, or Firm—Nixon & Vanderhye

[57] **CLAIM**

The ornamental design for an expansion unit for computer, as shown and described.

DESCRIPTION

FIG. 1 is a top front and right side perspective view of an expansion unit for a computer according to the present invention;

FIG. 2 is a bottom plan view thereof;

FIG. 3 is a rear elevational view thereof;

FIG. 4 is a right side elevational view thereof with the left side being a mirror image of the right side;

FIG. 5 is a top plan view thereof;

FIG. 6 is a front elevational view thereof;

FIG. 7 is a front and right side perspective view of a second embodiment thereof;

FIG. 8 is a top plan view of the embodiment of FIG. 7; and,

FIG. 9 is a right side elevational view thereof with the left side being a mirror image of the right side.

The broken lines shown in the figures are for illustrative purposes only and form no part of the claimed design.

The front and rear elevational views and the bottom plan view of the embodiment illustrated in FIGS. 7-9 are identical to the front and rear elevational views and bottom plan view of the embodiment illustrated in FIGS. 1-6.

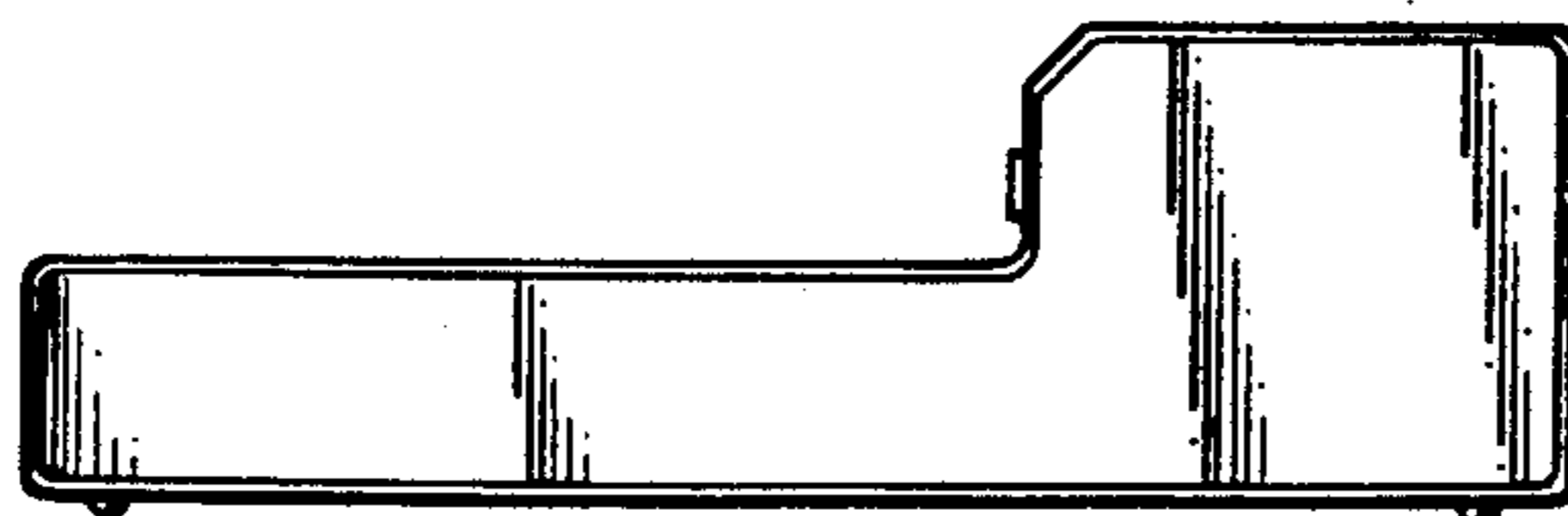
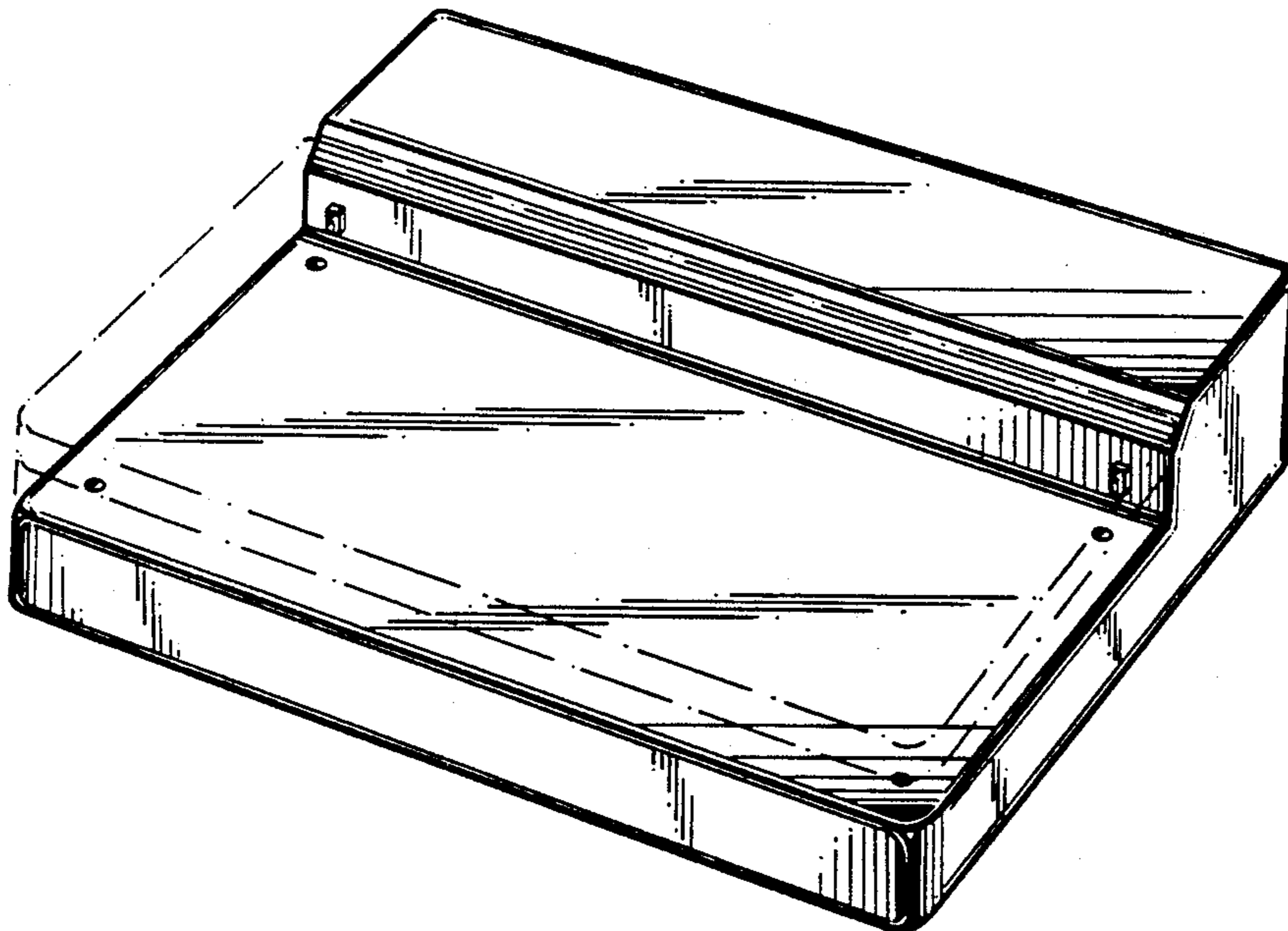


Fig. 1

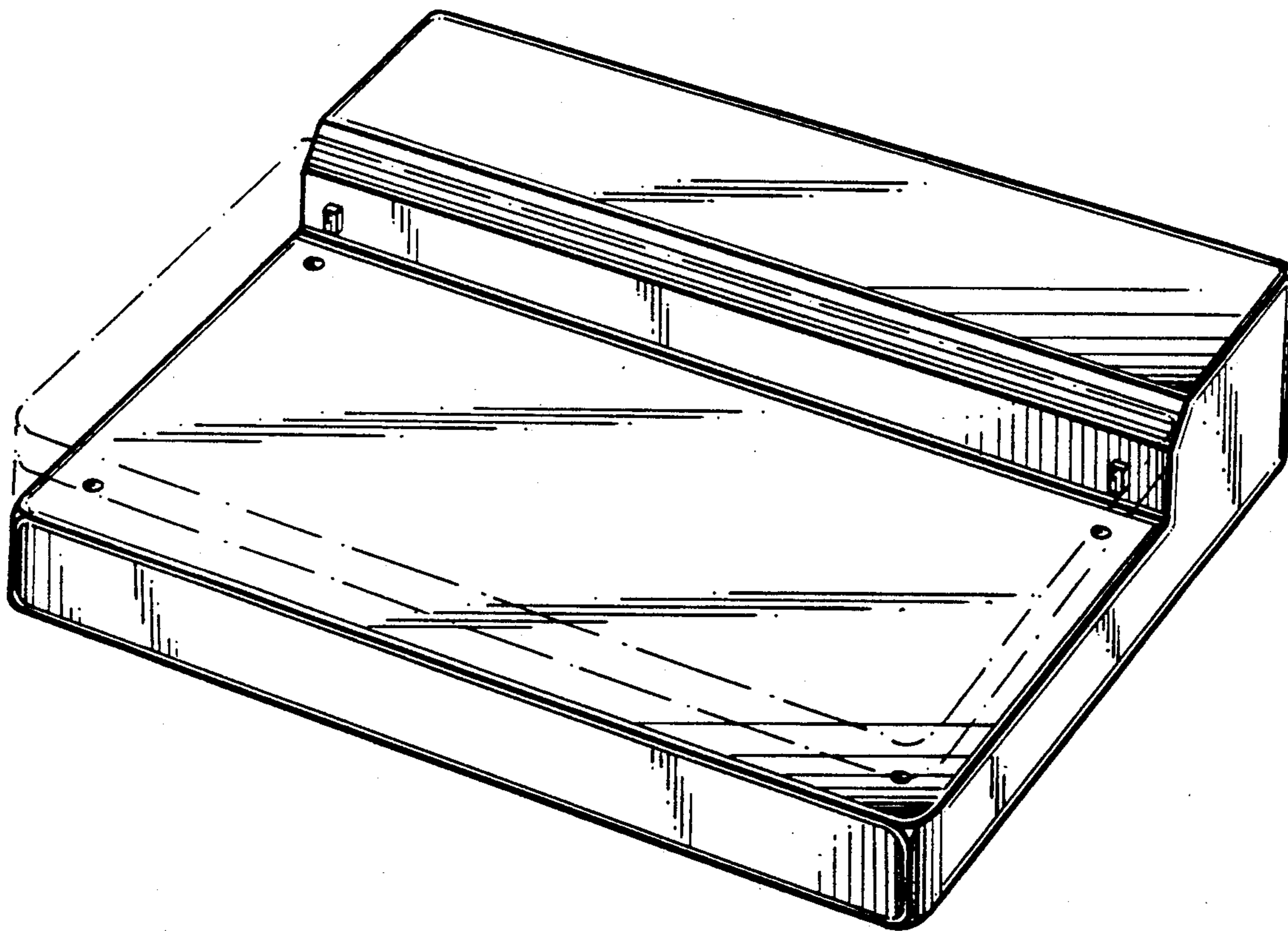


Fig. 2

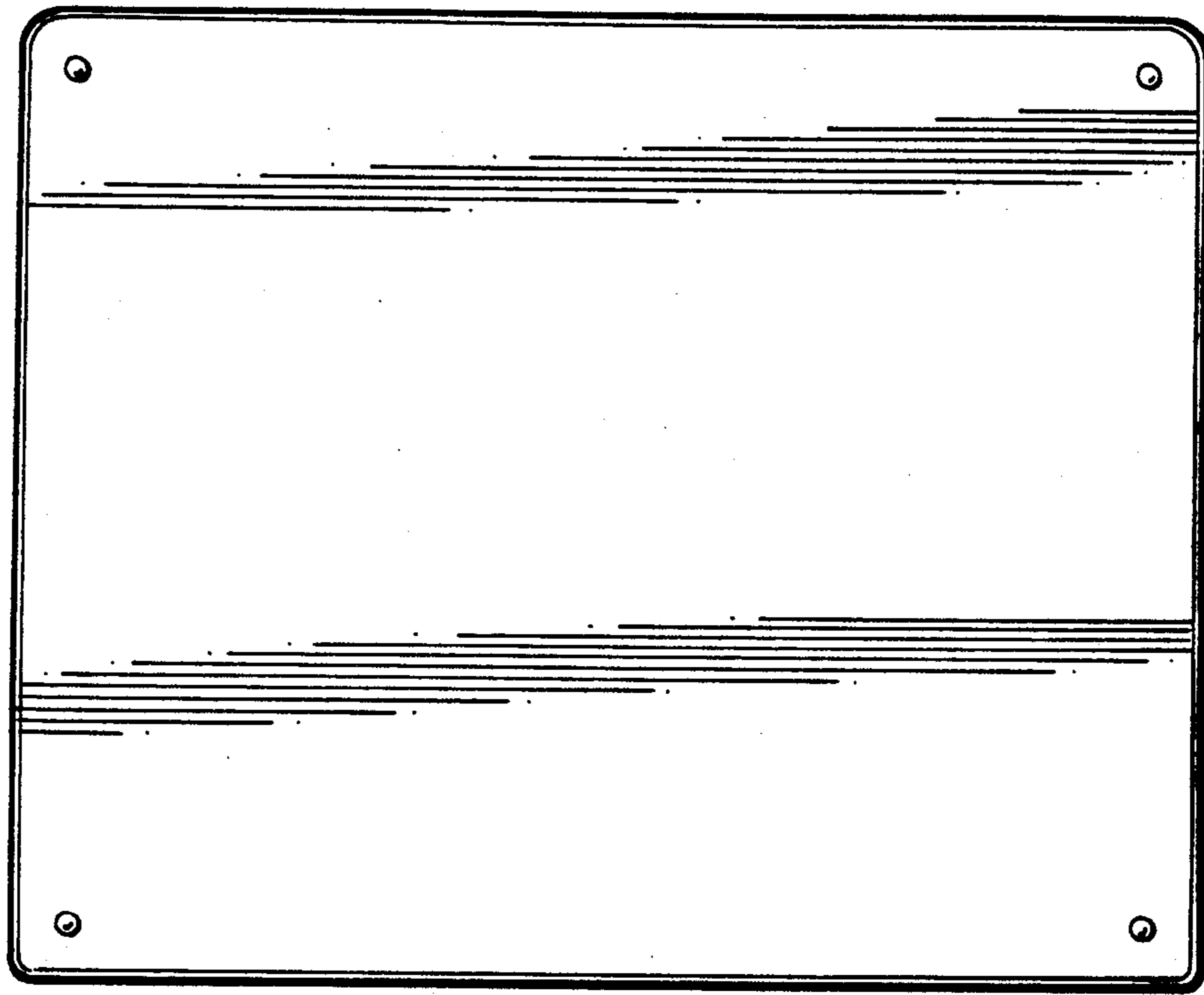


Fig. 3

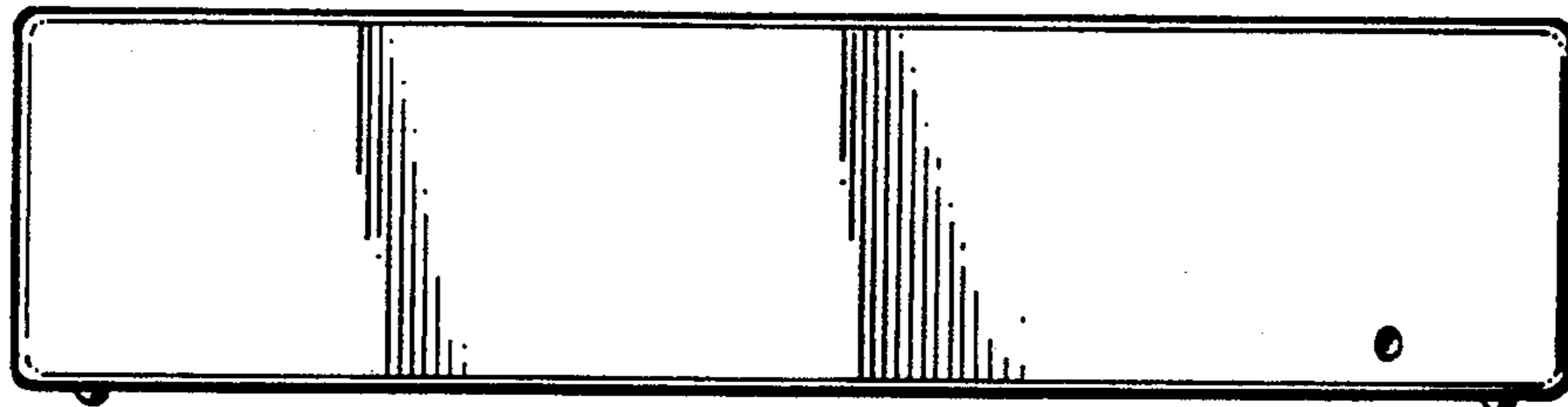


Fig. 4

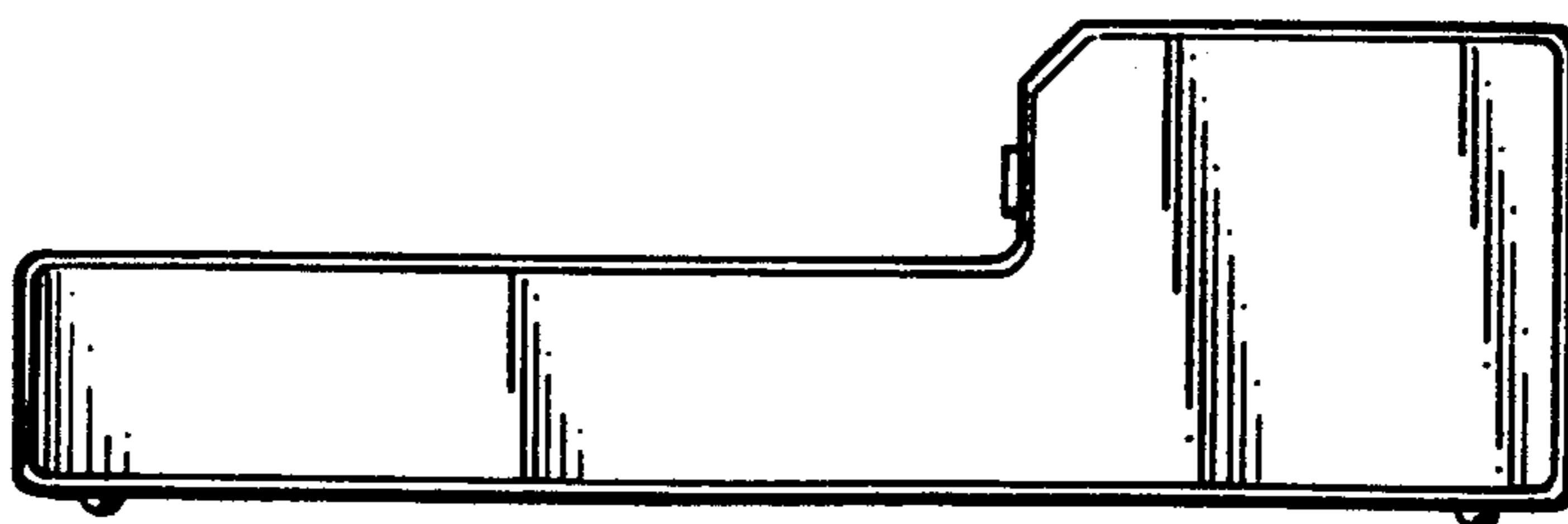


Fig. 5

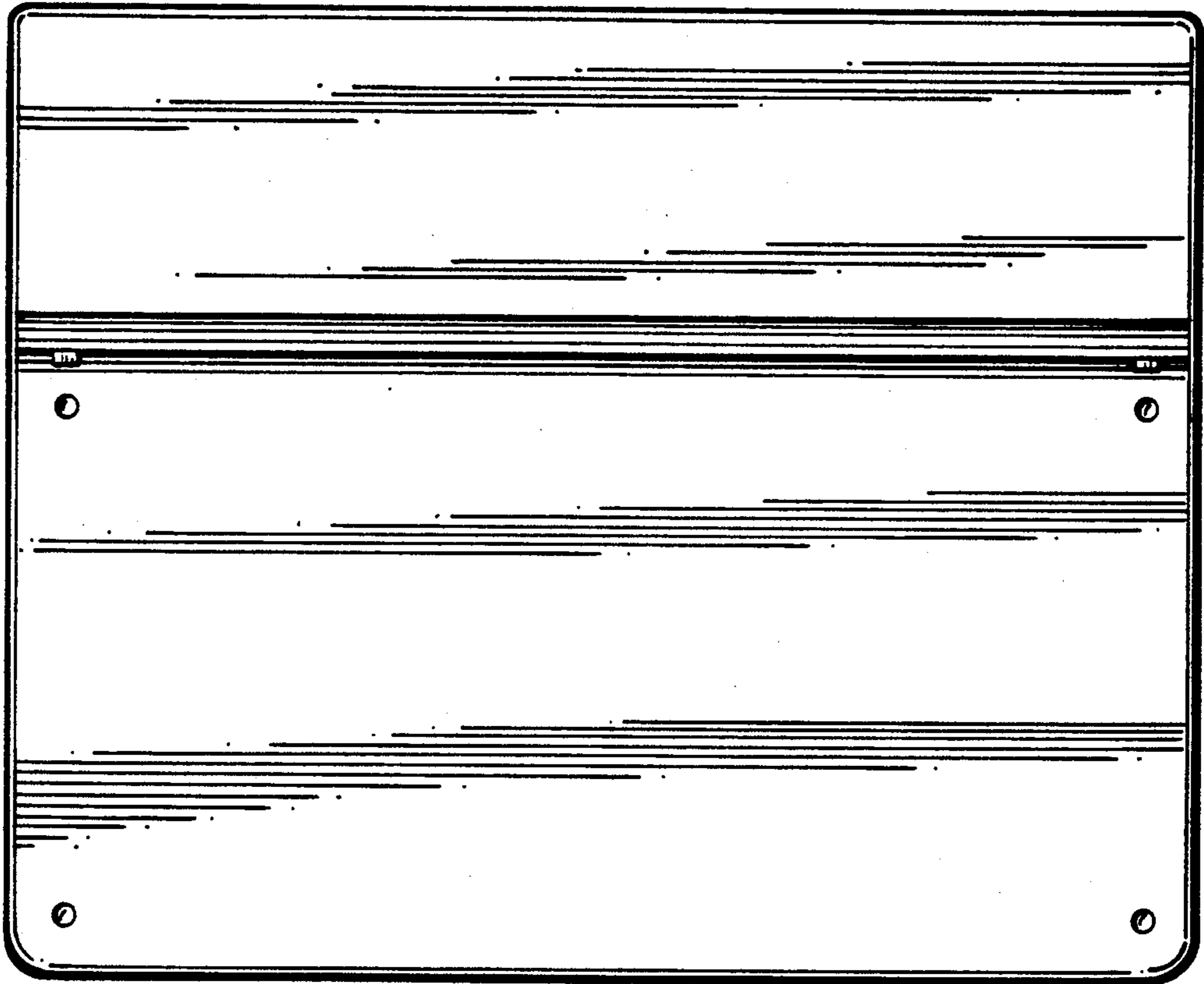


Fig. 6

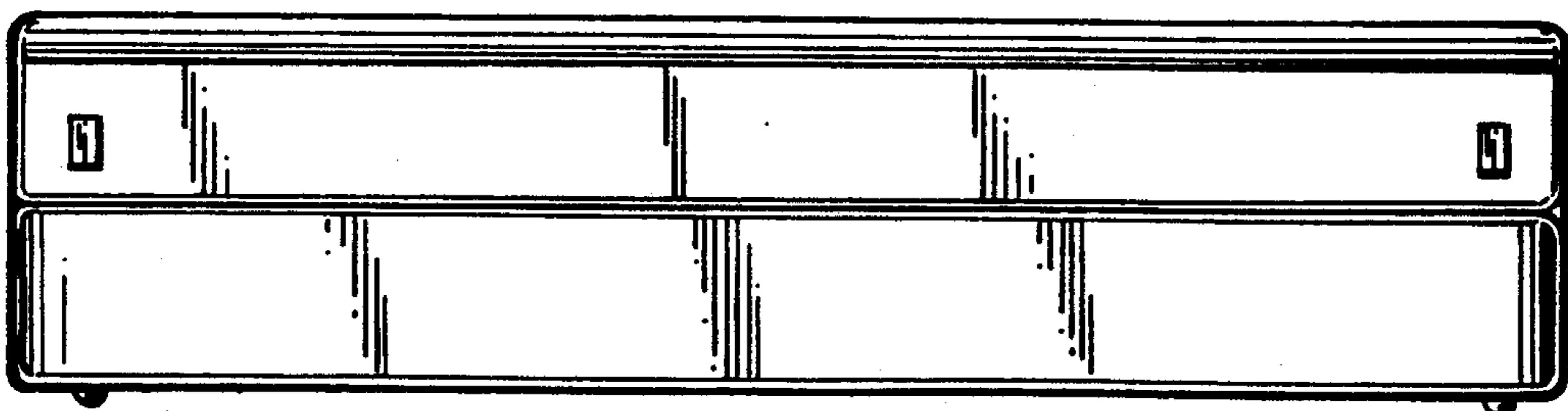


Fig. 7

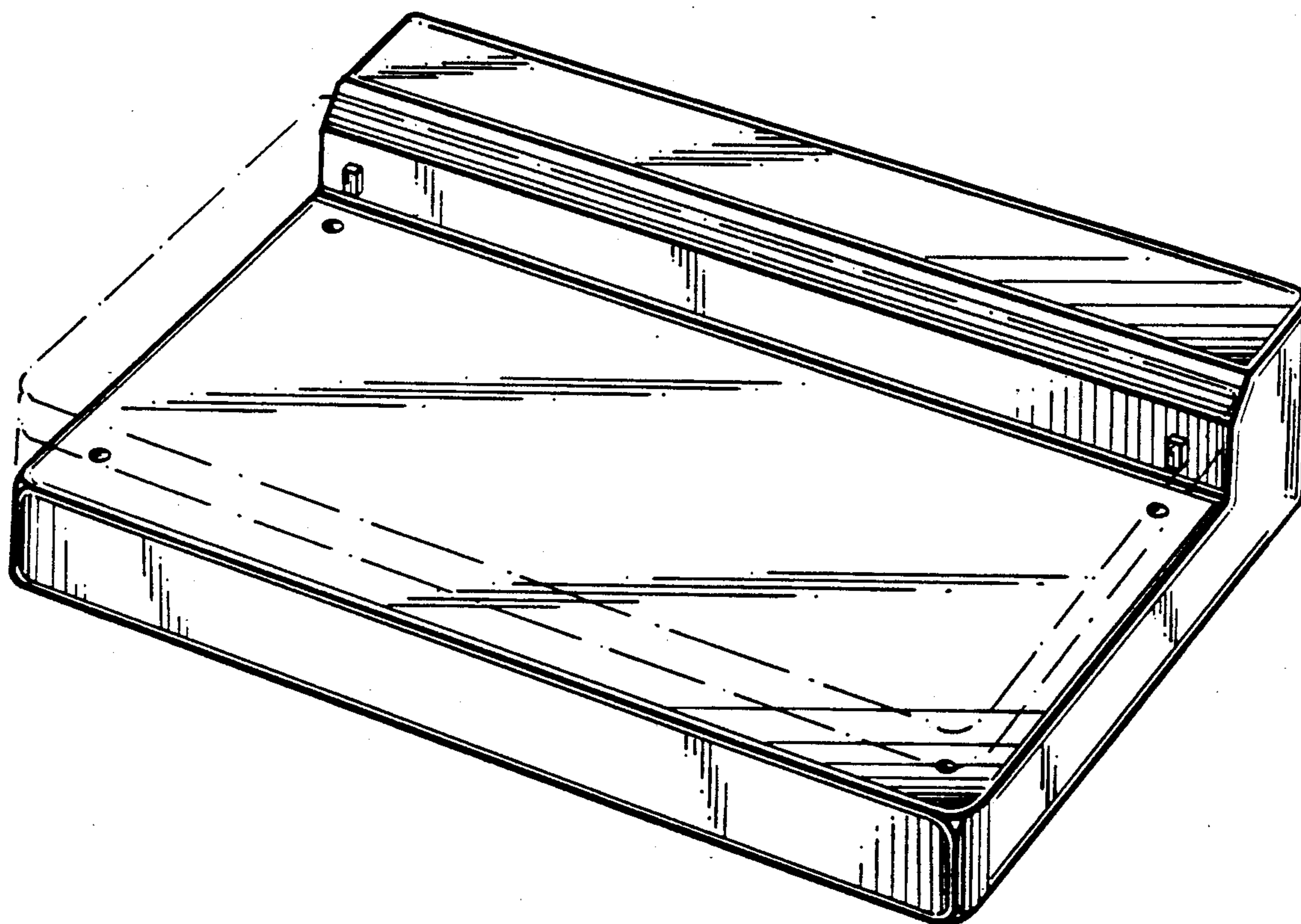


Fig. 8

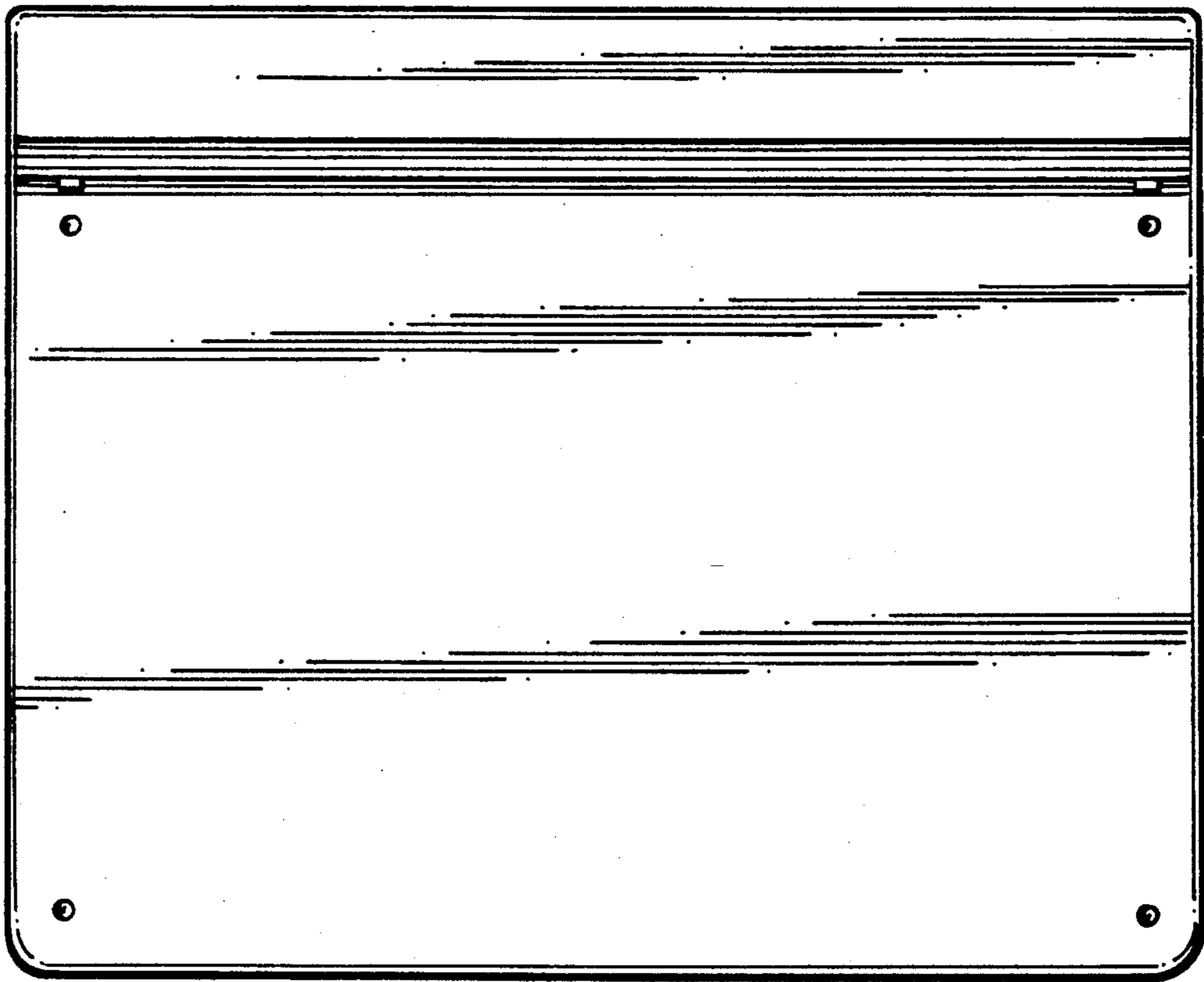


Fig. 9

