



US00D336283S

United States Patent [19]

[11] Patent Number: **Des. 336,283**

Ohkura et al.

[45] Date of Patent: **** Jun. 8, 1993**

[54] ELECTRICAL CONNECTOR HOUSING

4,867,699 9/1989 Oda et al. 439/350 X
4,975,082 12/1990 Nagasaka et al. 439/595

[75] Inventors: **Kenji Ohkura, Hisai; Shinichi Uchida,**
Yokkaichi, both of Japan

FOREIGN PATENT DOCUMENTS

[73] Assignee: **Sumitomo Wiring Systems, Ltd.,**
Yokkaichi, Japan

0059787 3/1989 Japan 439/595

[**] Term: **14 Years**

Primary Examiner—Wallace R. Burke
Assistant Examiner—Joel Sincavage
Attorney, Agent, or Firm—Liddy Sullivan Galway
Begler & Peroff

[21] Appl. No.: **419,789**

[22] Filed: **Oct. 11, 1989**

[57] CLAIM

[52] U.S. Cl. **D13/147**

The ornamental design for an electrical connector housing, as shown and described.

[58] Field of Search D13/133, 146, 147;
439/271, 275, 279, 282, 293, 297, 350, 352, 353,
357, 358, 571, 586, 587, 589, 595, 596, 598, 600,
680, 682, 685, 686, 687, 695, 701, 724, 744, 748,
752

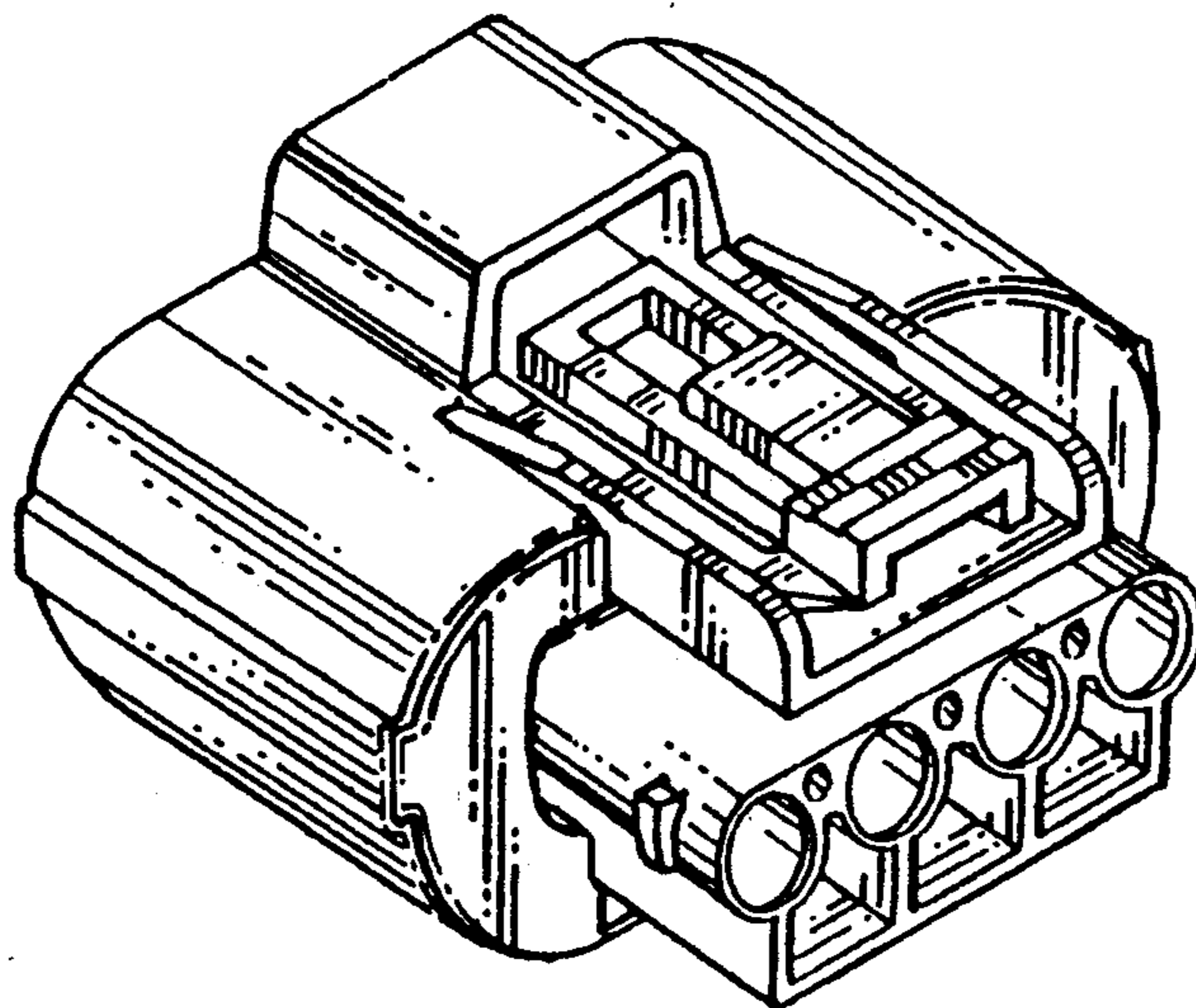
DESCRIPTION

[56] References Cited

U.S. PATENT DOCUMENTS

D. 310,994 10/1990 Yagi et al. D13/146
D. 310,995 10/1990 Yamamoto D13/147
D. 311,375 10/1990 Kuzuno et al. D13/147
D. 311,518 10/1990 Kuzuno et al. D13/146
4,772,229 9/1988 Nix et al. 439/752 X

FIG. 1 is a top plan view of an electrical connector housing showing our new design;
FIG. 2 is a right side elevational view thereof, the left side elevational view thereof being a mirror image;
FIG. 3 is a front elevational view thereof;
FIG. 4 is a rear elevational view thereof;
FIG. 5 is a bottom plan view thereof;
FIG. 6 is a front and upper right perspective view thereof; and,
FIG. 7 is a rear and upper left perspective view thereof.



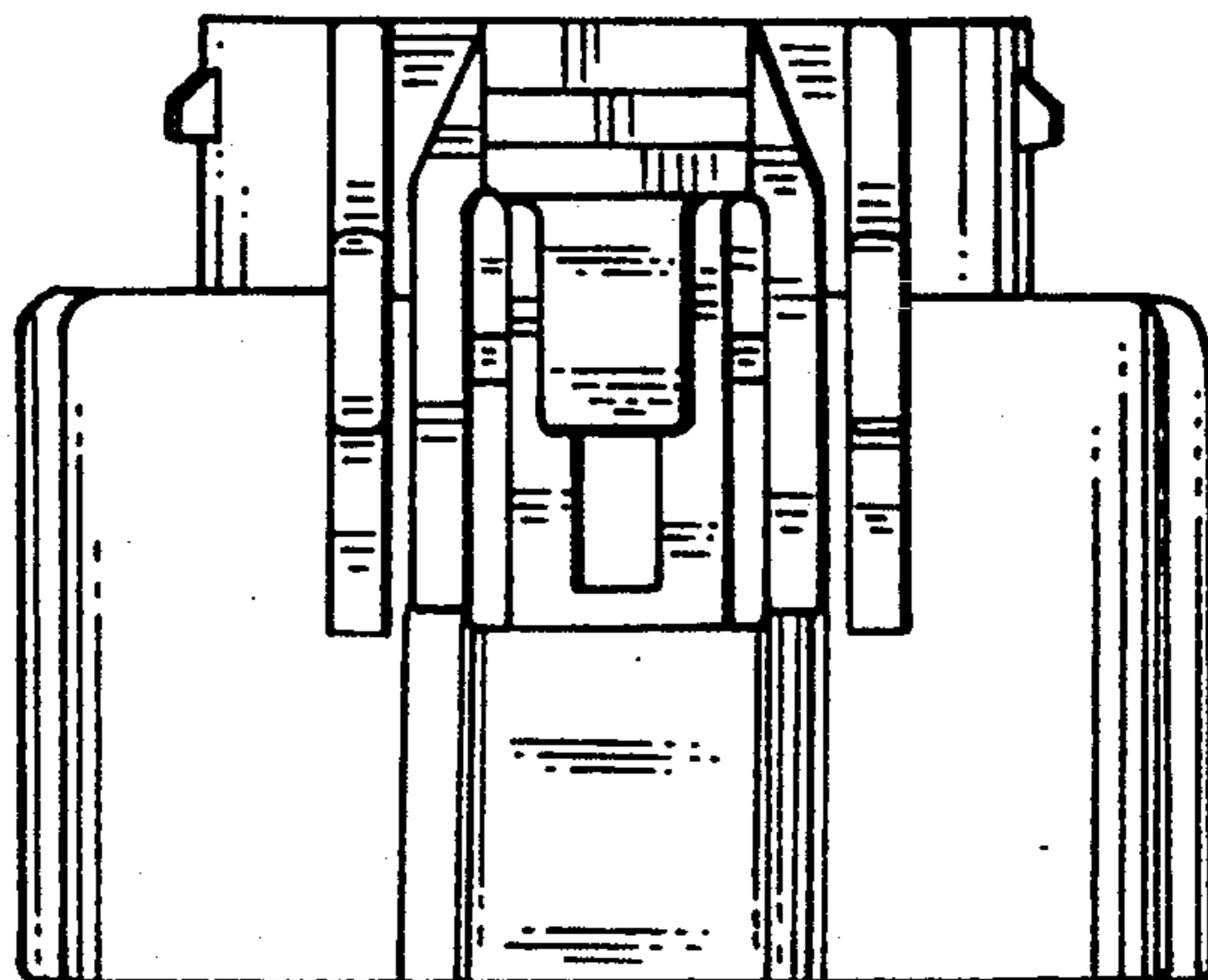


FIG. 1

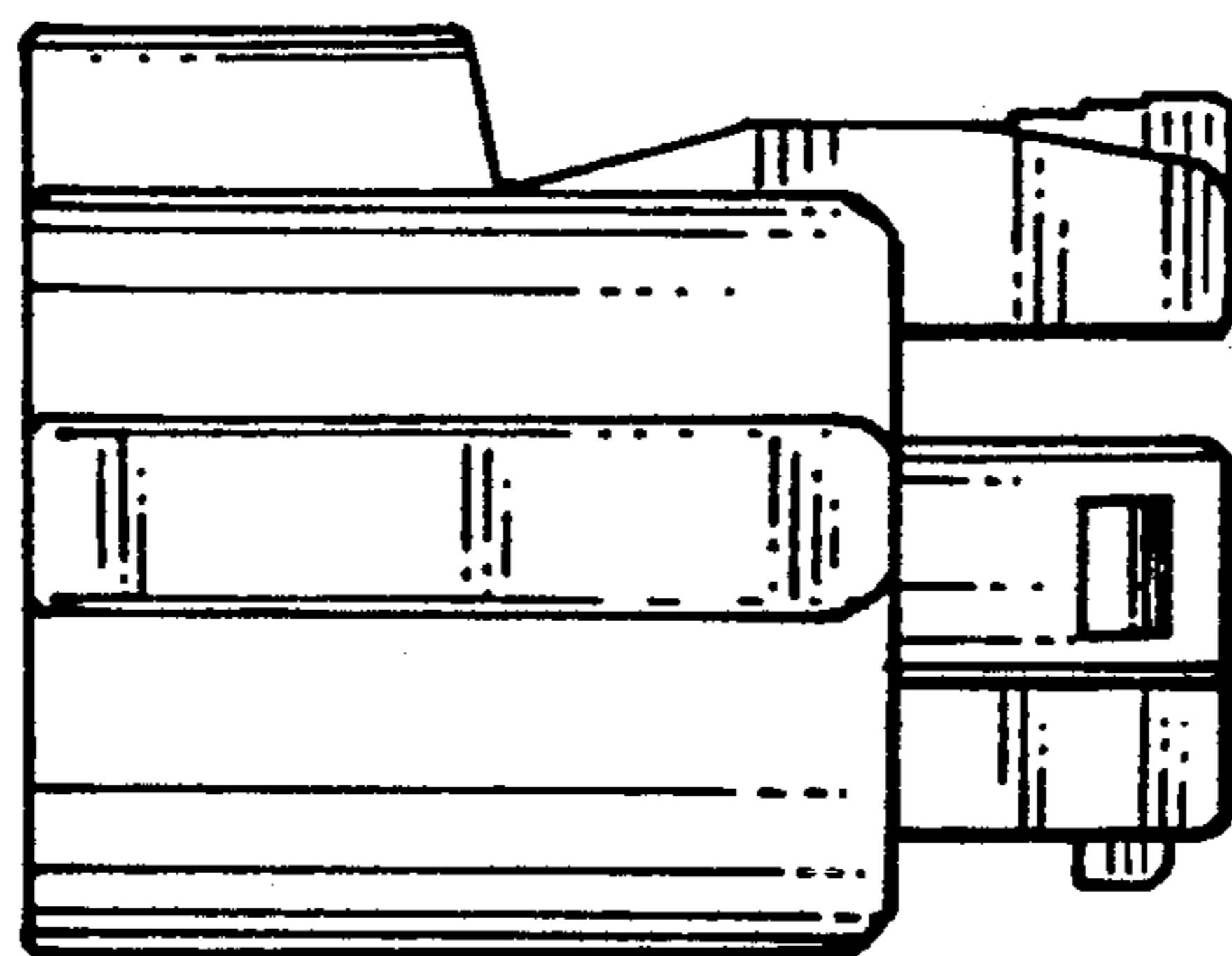


FIG. 2

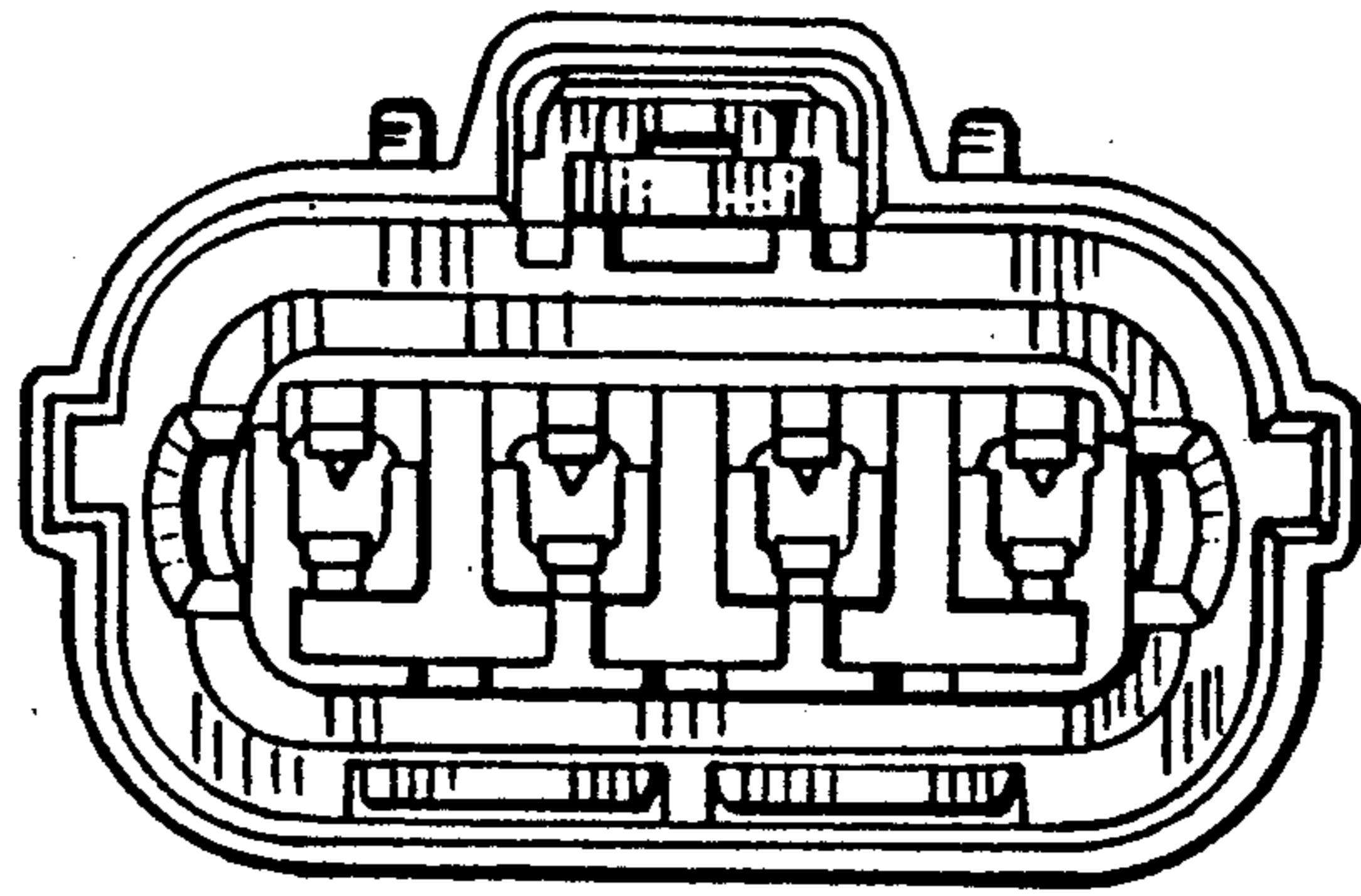


FIG. 3

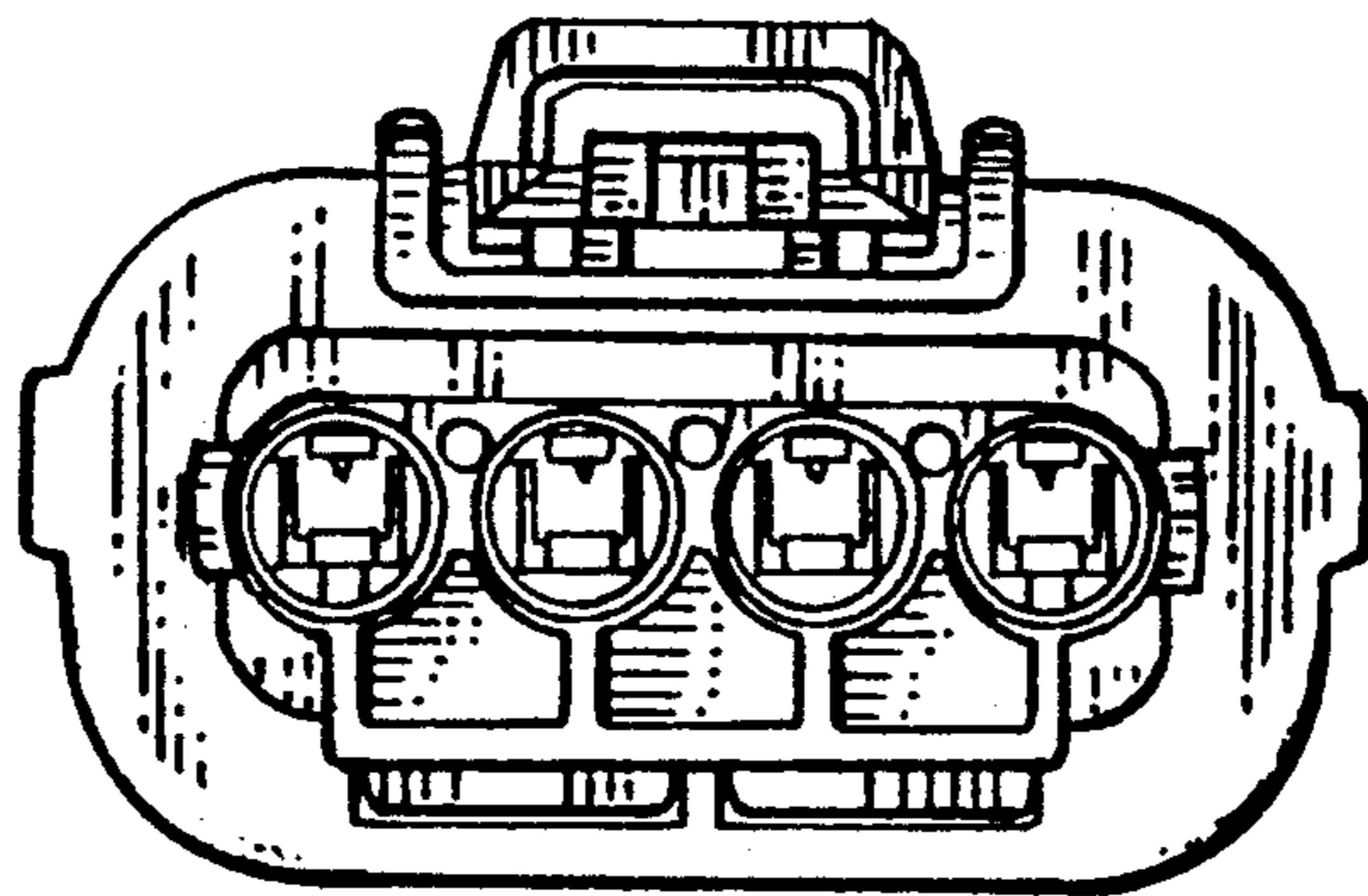


FIG. 4

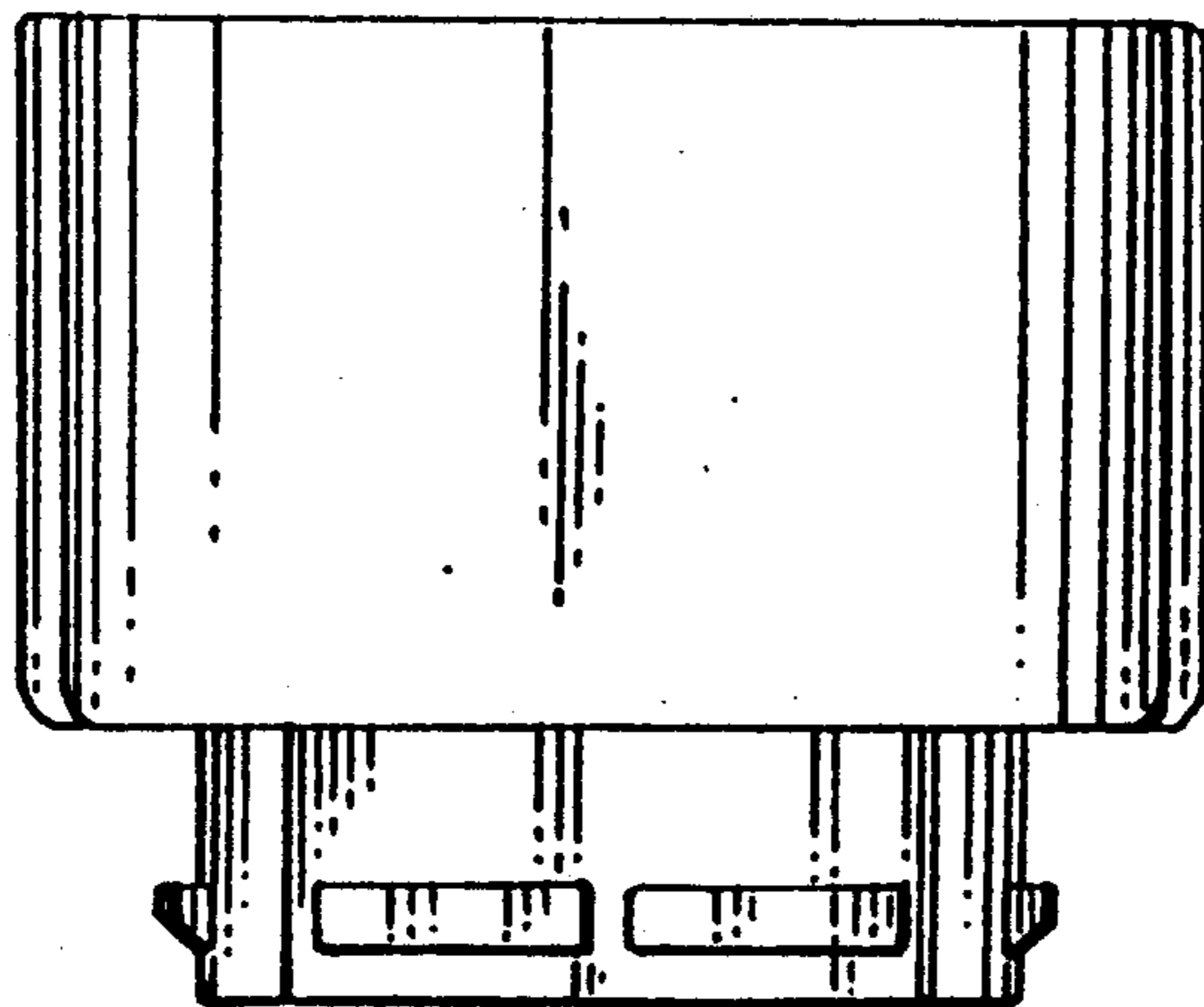


FIG. 5

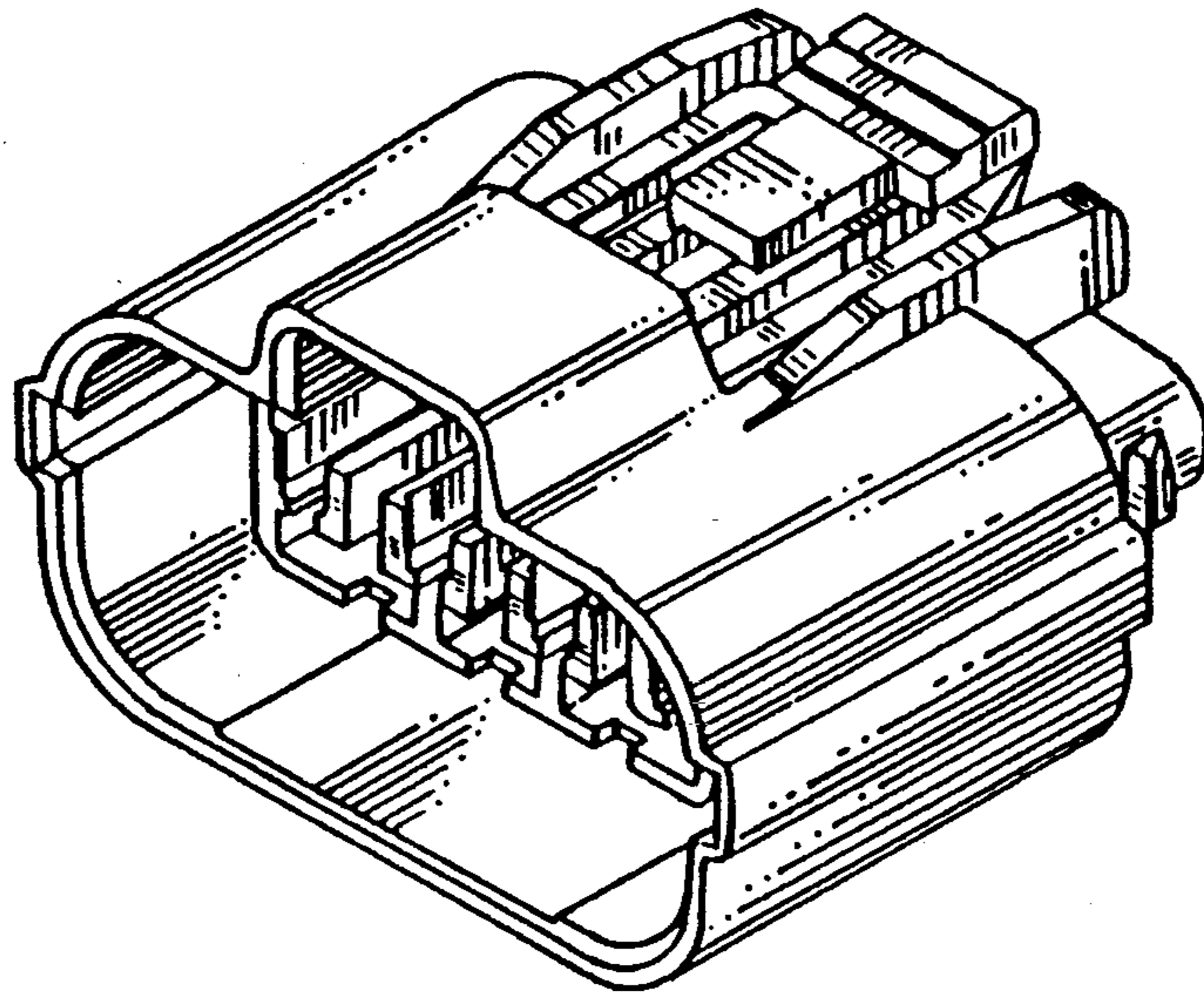


FIG. 6

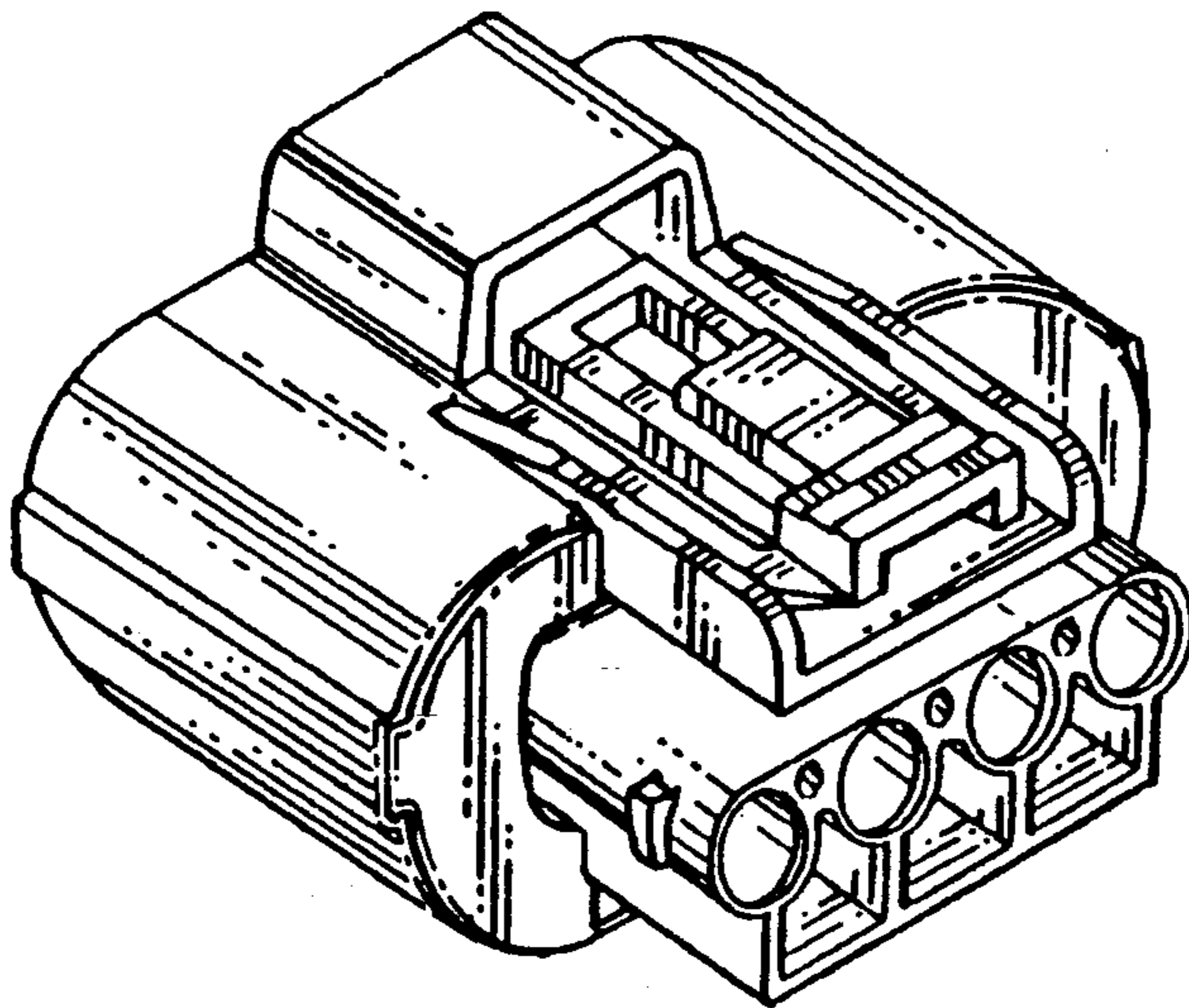


FIG. 7