



US00D336282S

# United States Patent [19]

[11] Patent Number: **Des. 336,282**

**Guginsky**

[45] Date of Patent: **\*\* Jun. 8, 1993**

[54] **ELECTRICAL CONNECTOR**

[75] Inventor: **Frank Guginsky, Suffolk, N.Y.**

[73] Assignee: **Berger Industries, Inc., Maspeth, N.Y.**

[\*\*] Term: **14 Years**

[21] Appl. No.: **360,756**

[22] Filed: **Jun. 2, 1989**

[52] U.S. Cl. .... **D13/133**

[58] Field of Search ..... **D13/133, 149; 439/771, 439/801, 810, 811, 813, 791, 792, 793**

[56] **References Cited**

**U.S. PATENT DOCUMENTS**

D. 118,377	7/1960	Martin .....	D13/149
D. 239,405	2/1977	Mooney et al. ....	D13/149
2,086,710	7/1937	Fotsch .....	439/793
3,836,941	9/1974	Izraeli .....	439/810 X
4,611,876	9/1986	Barrabes .....	439/810 X
4,629,281	12/1986	Kruger .....	439/791
4,929,198	5/1990	Strate et al. ....	439/811 X

**FOREIGN PATENT DOCUMENTS**

0496659	10/1953	Canada .....	439/814
2457021	1/1981	France .....	439/814

*Primary Examiner*—Wallace R. Burke  
*Assistant Examiner*—Joel Sincavage  
*Attorney, Agent, or Firm*—Howard C. Miskin

[57] **CLAIM**

The ornamental design for an electrical connector as shown and described.

**DESCRIPTION**

FIG. 1 is a left side elevational view (the right side being a mirror image) of an electrical connector; FIG. 2 is a top plan view thereof; FIG. 3 is a bottom plan view thereof; FIG. 4 is a front end elevational view thereof; FIG. 5 is a rear end elevational view thereof; FIG. 6 is a view as seen from the front and upper right; and, FIG. 7 is a view as seen from the rear and lower right.

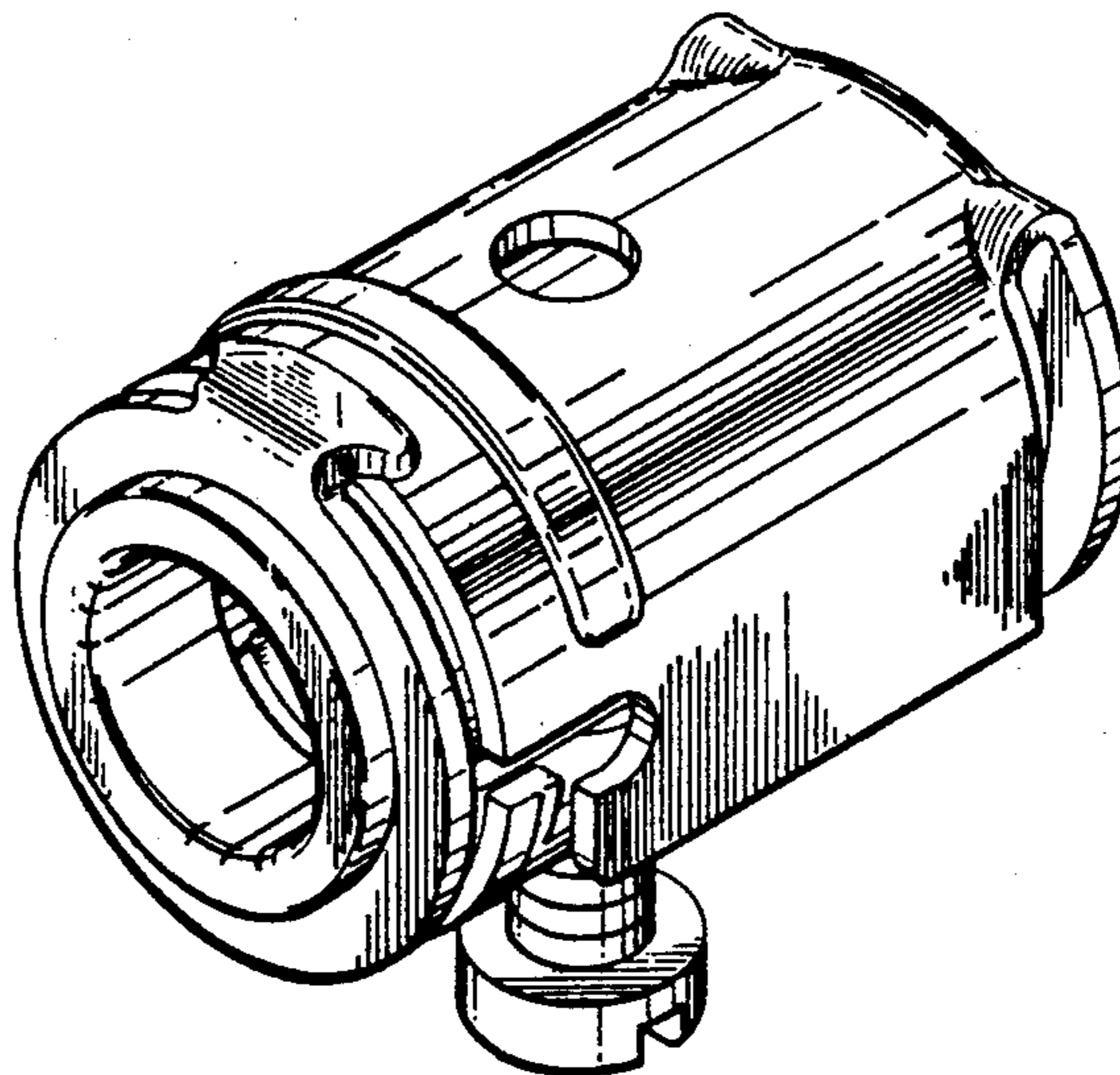
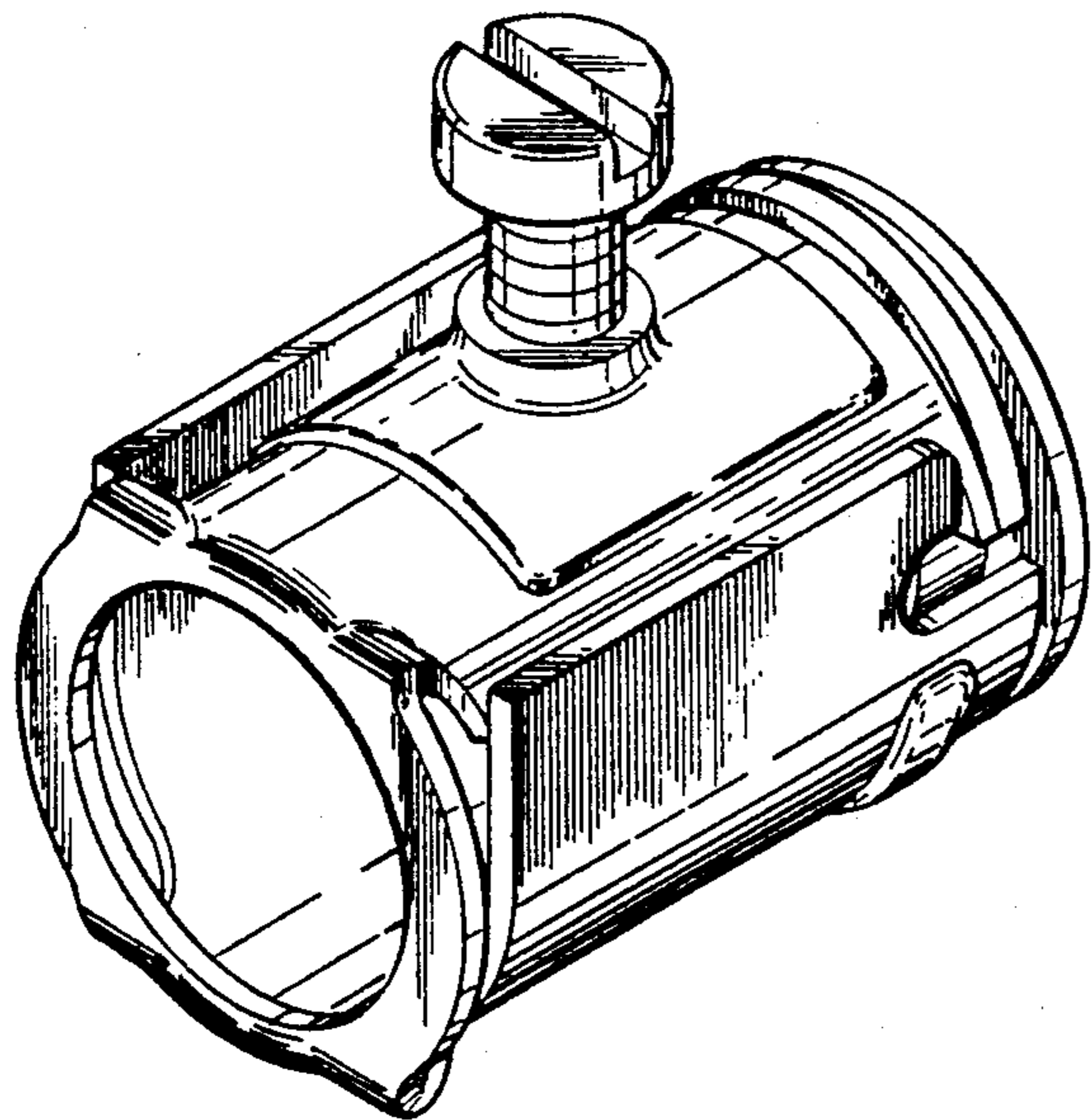


FIG. 1

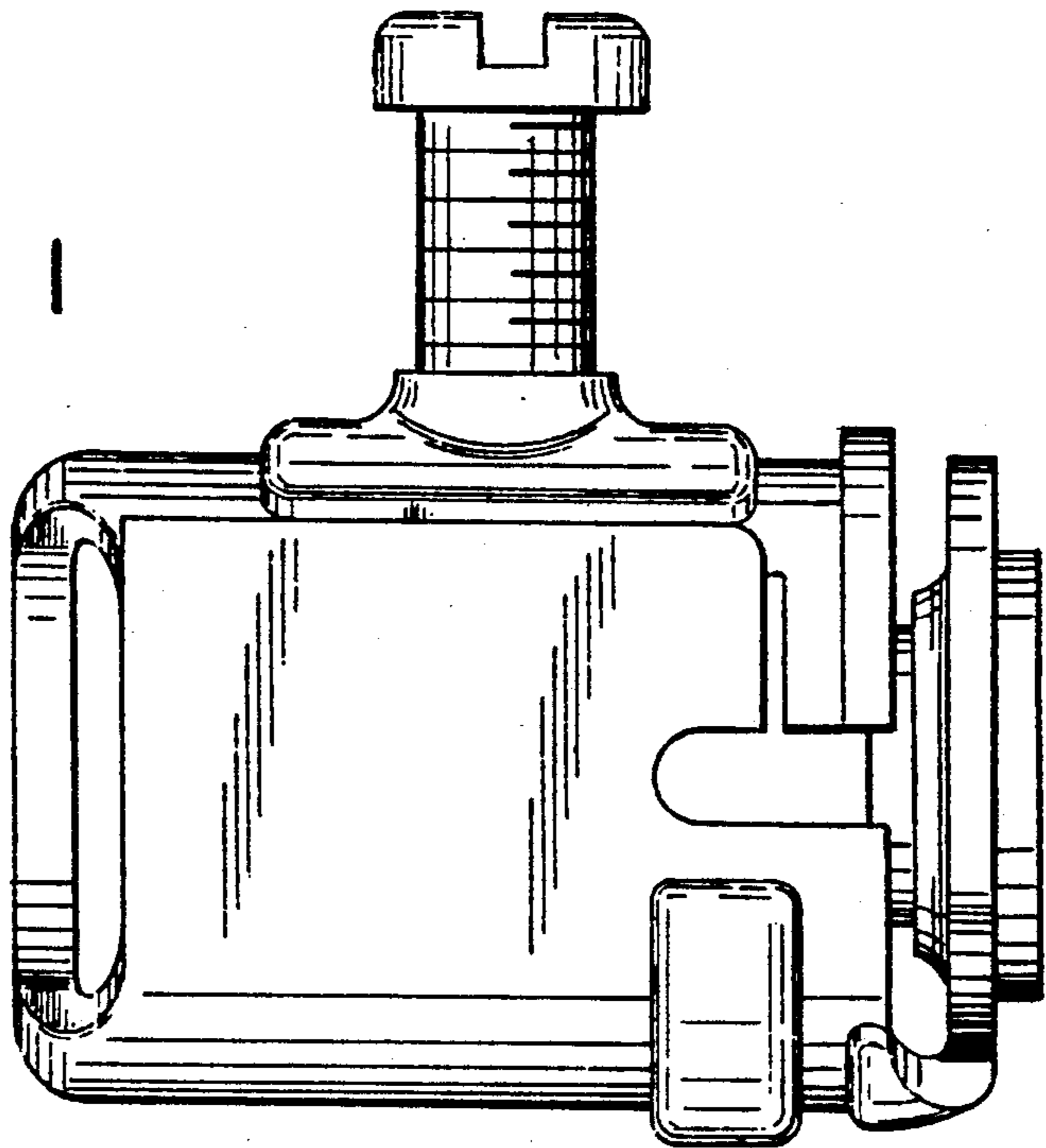


FIG. 2

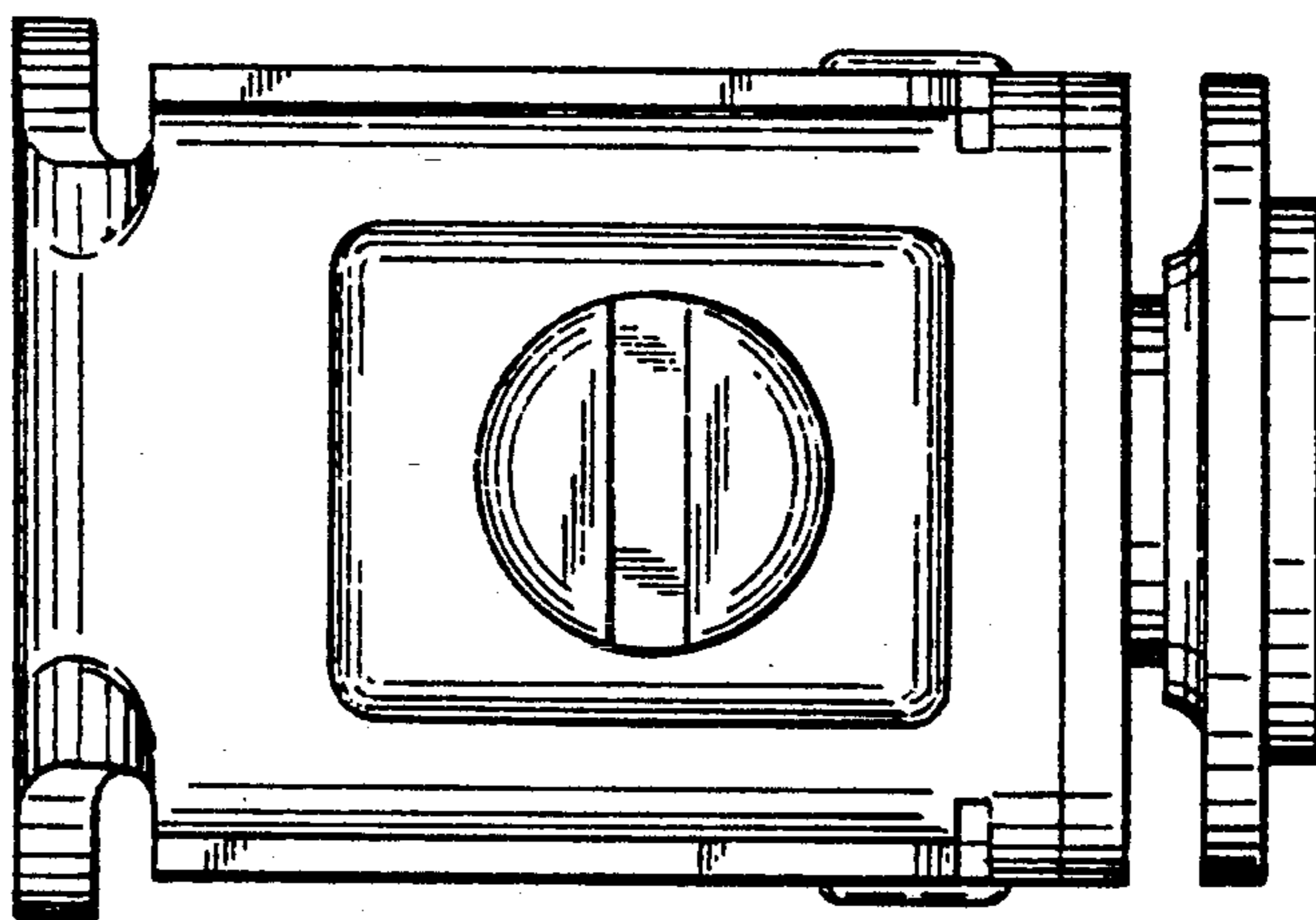
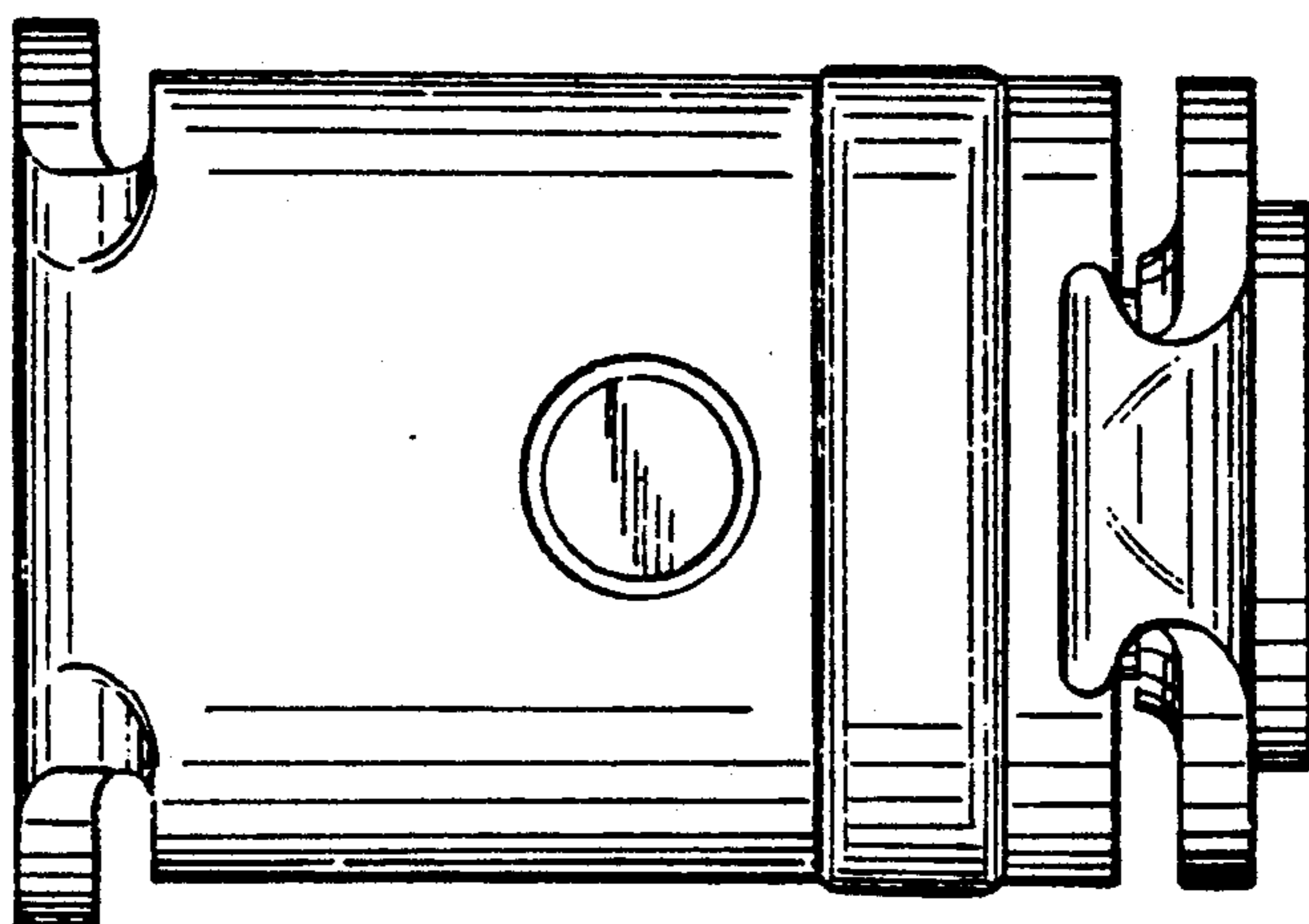


FIG. 3



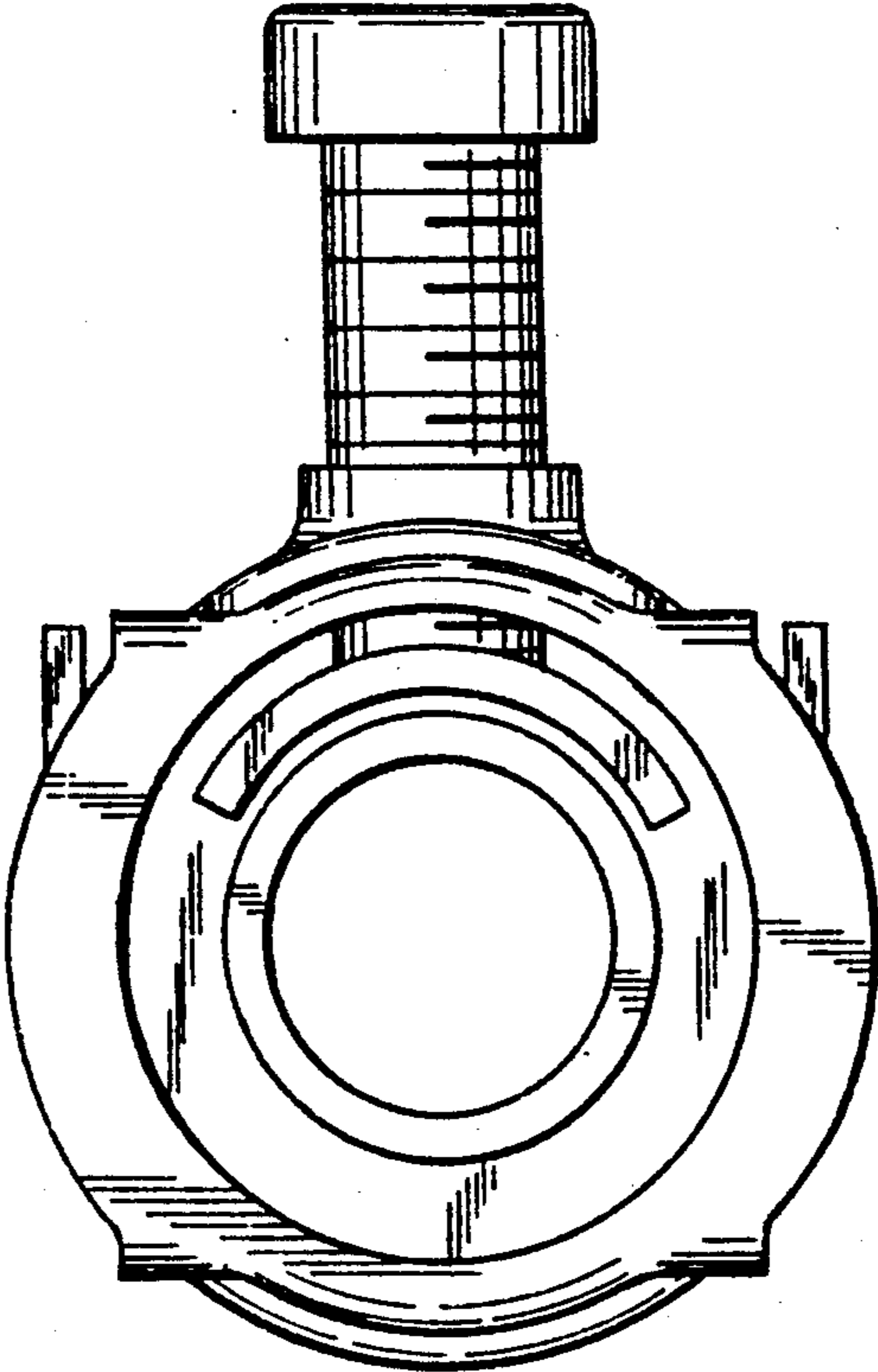


FIG. 4

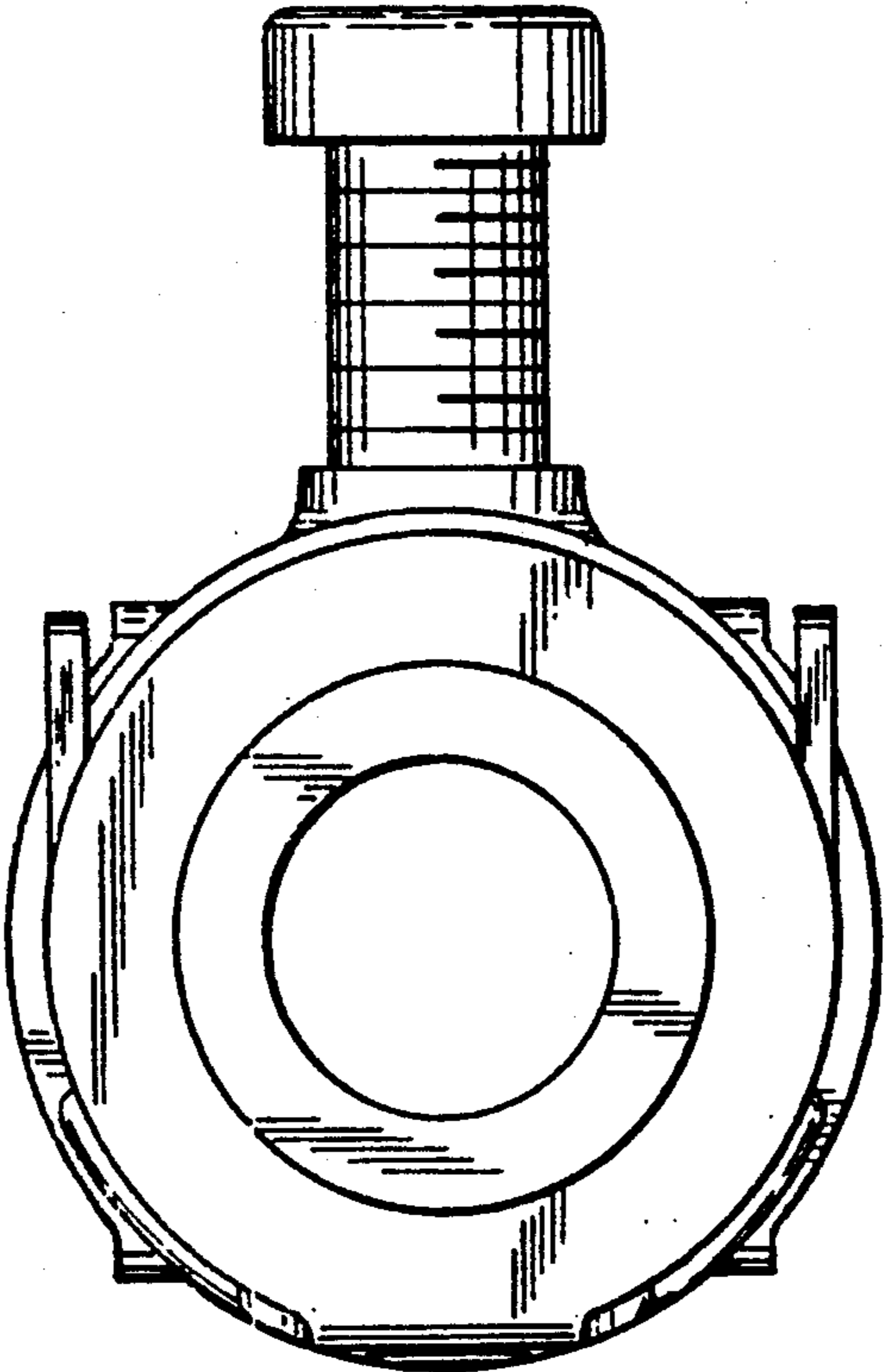


FIG. 5



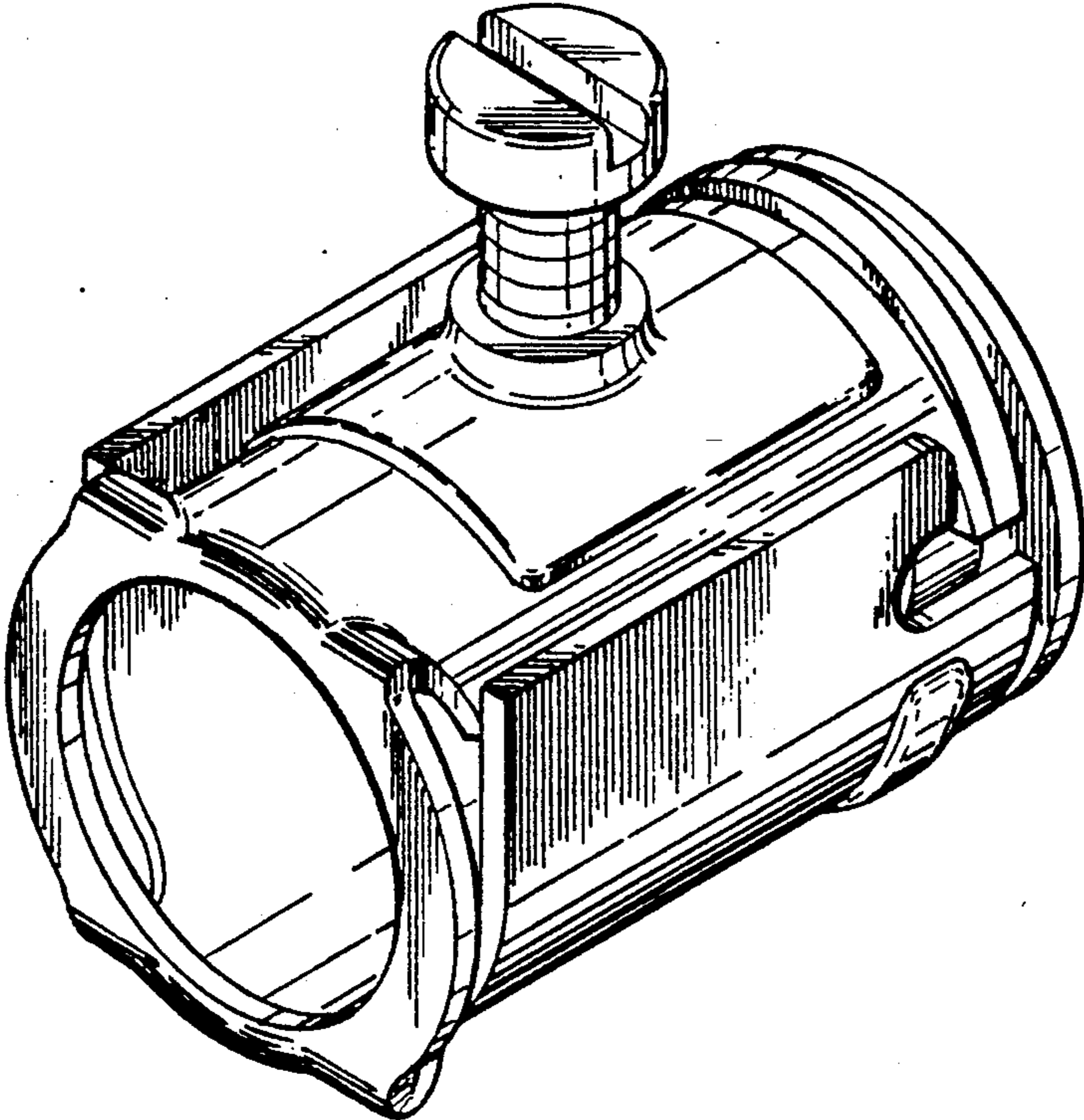


FIG. 6

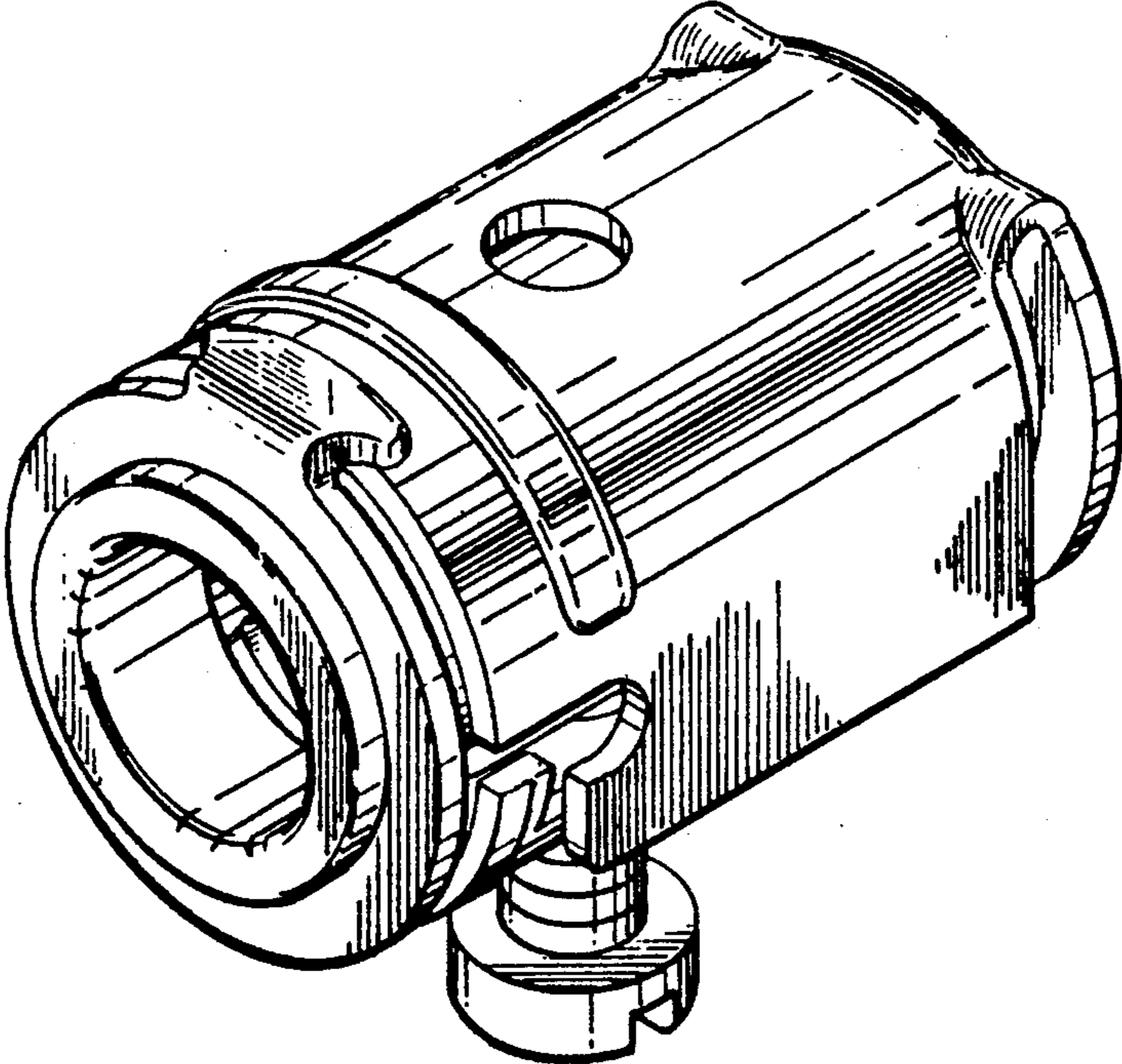


FIG. 7