



US00D336280S

United States Patent [19]

[11] Patent Number: **Des. 336,280**

Sparhawk

[45] Date of Patent: **** Jun. 8, 1993**

[54] **DECK FRAME TELESCOPIC LEG**

Attorney, Agent, or Firm—Peter J. Georges

[76] Inventor: **Juan A. Sparhawk**, 23210 SE. 312th St., Kent, Wash. 98042

[57] **CLAIM**

The ornamental design for a deck frame telescopic leg, as shown and described.

[**] Term: **14 Years**

DESCRIPTION

[21] Appl. No.: **753,674**

[22] Filed: **Sep. 3, 1991**

[52] U.S. Cl. **D12/317**

[58] Field of Search **D12/317, 318; 114/361, 114/364, 343**

FIG. 1 is a front elevational view of the deck frame telescopic leg in the open position with the coupling adjusting the leg length engaged;

FIG. 2 is a side front elevational view;

FIG. 3 is a rear elevational view;

FIG. 4 is an exploded side elevational view to show the locking means in detail;

FIG. 5 is a top view of FIG. 1;

FIG. 6 is a bottom view FIG. 1;

FIG. 7 is an enlarged plan view taken along 7—7 of FIG. 4; and,

FIG. 8 is a perspective view showing the invention in use—the phantom lines for illustration only.

Portions of the telescopic leg in FIGS. 1, 2, 3 and 4 are shown broken away for convenience of illustration.

[56] References Cited

U.S. PATENT DOCUMENTS

2,843,421	7/1958	Shelton	114/361
2,905,126	9/1959	Gaffey	114/364
3,055,024	9/1962	Schmitt	114/364
3,106,931	10/1963	Cooper	114/361
4,593,641	6/1986	Adams et al.	114/343

Primary Examiner—Kay H. Chin

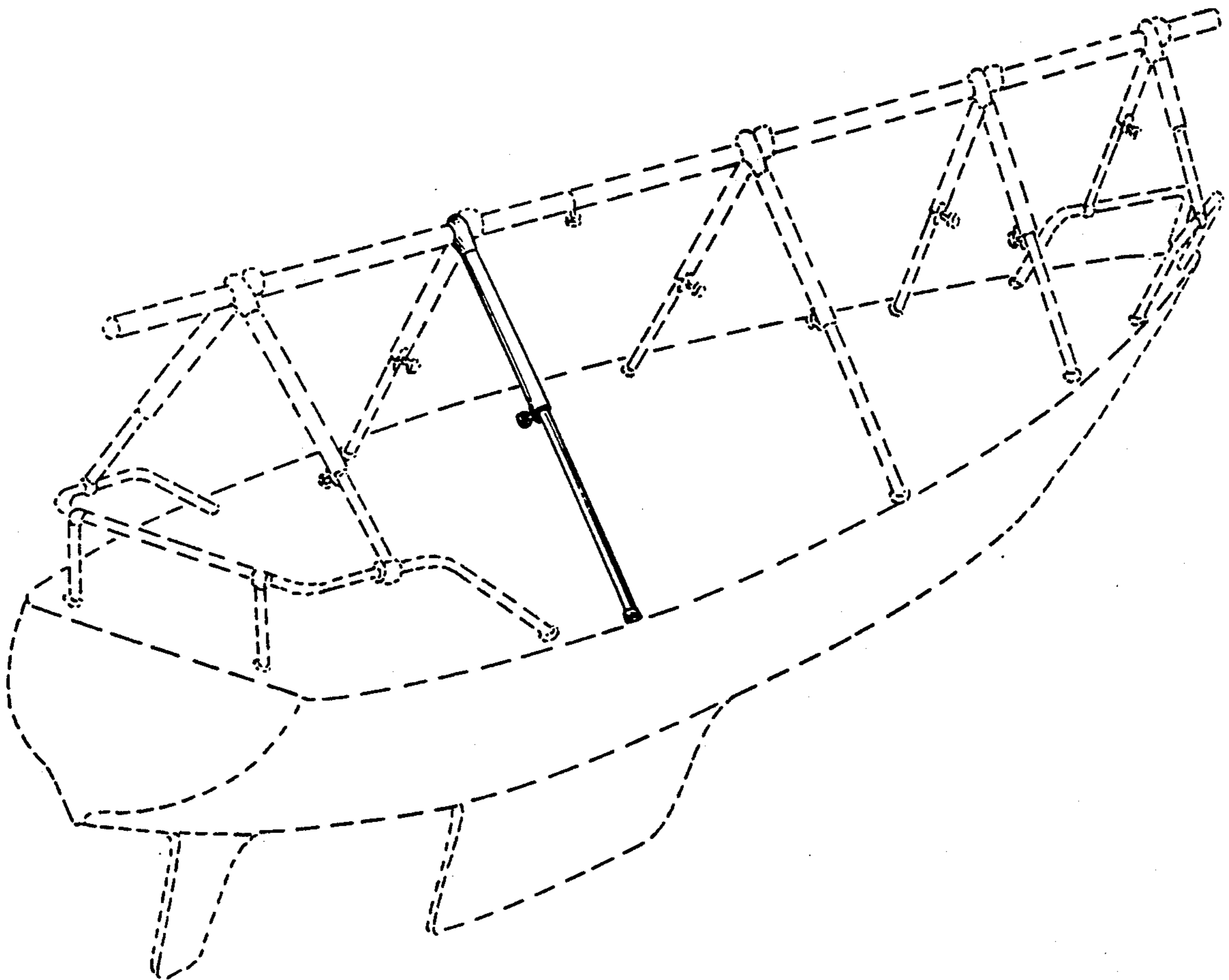


Fig. 1

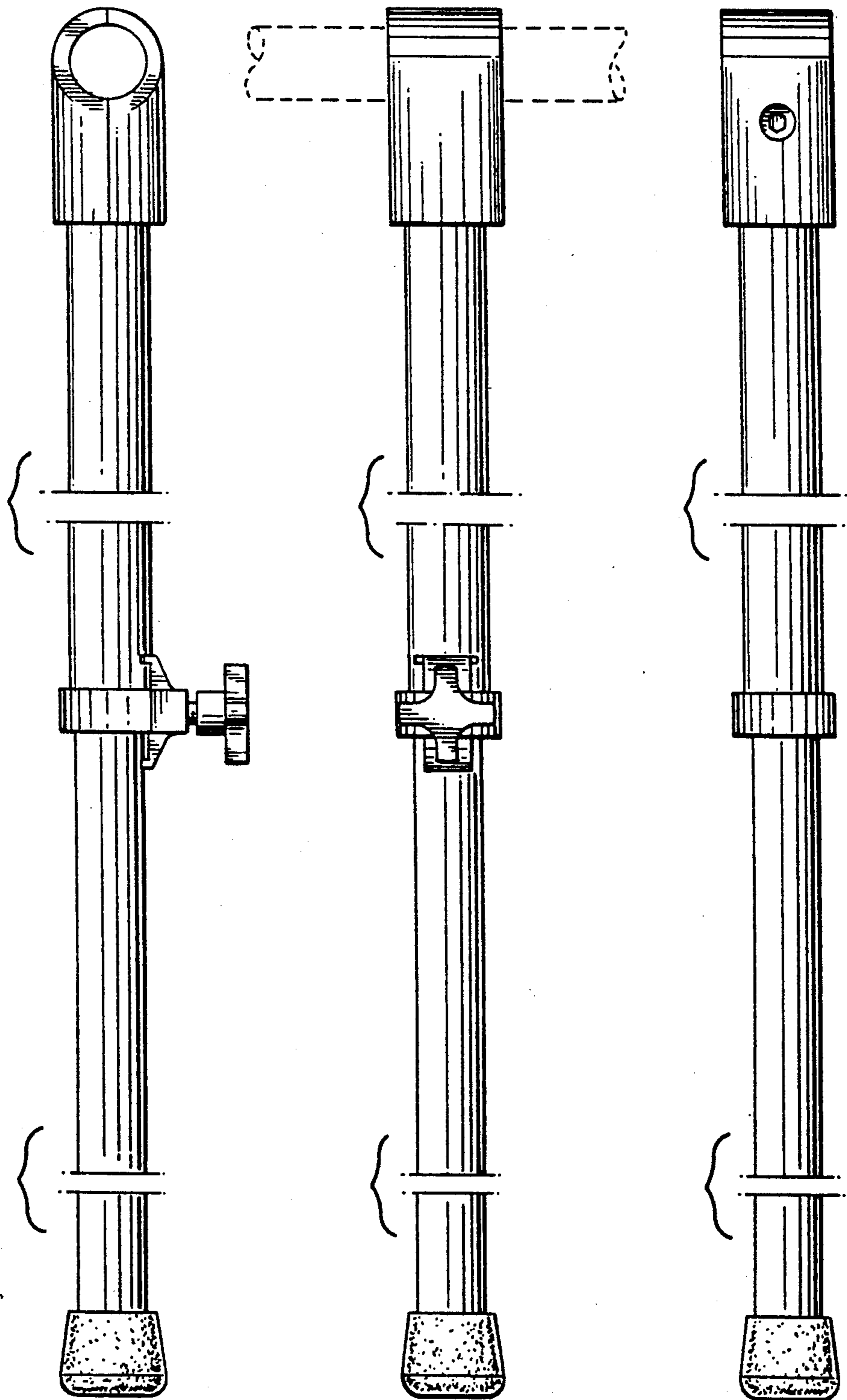


Fig. 2

Fig. 3

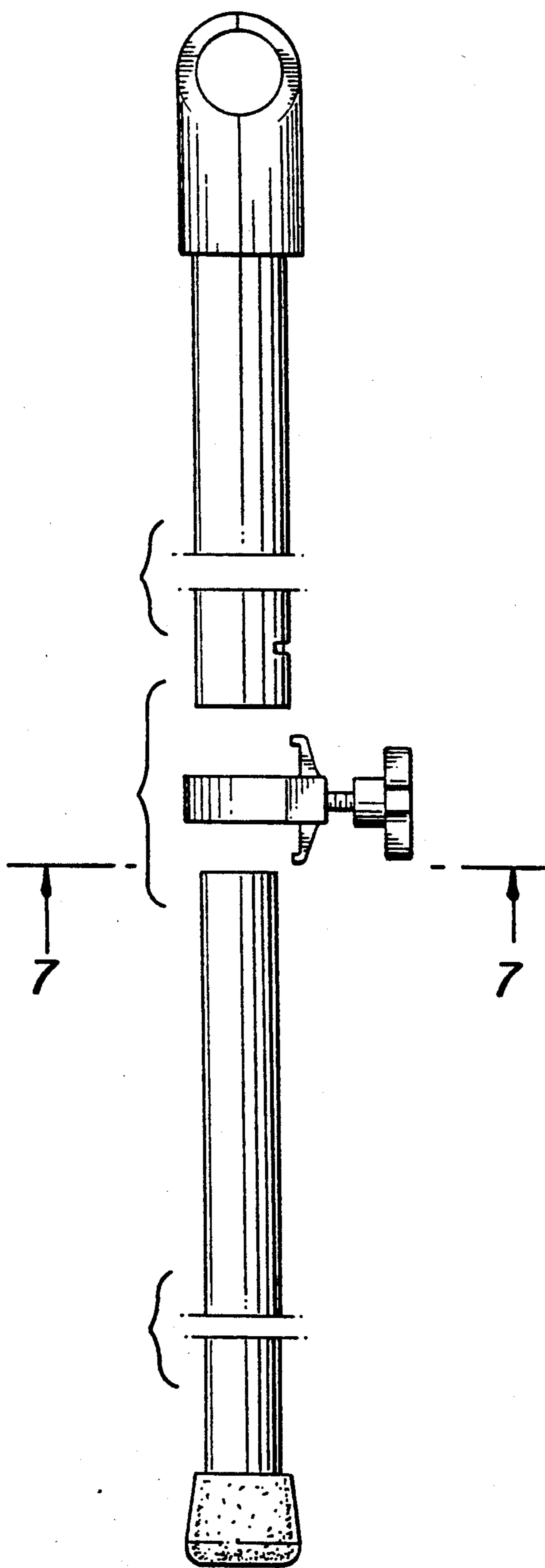


Fig. 4

Fig. 5

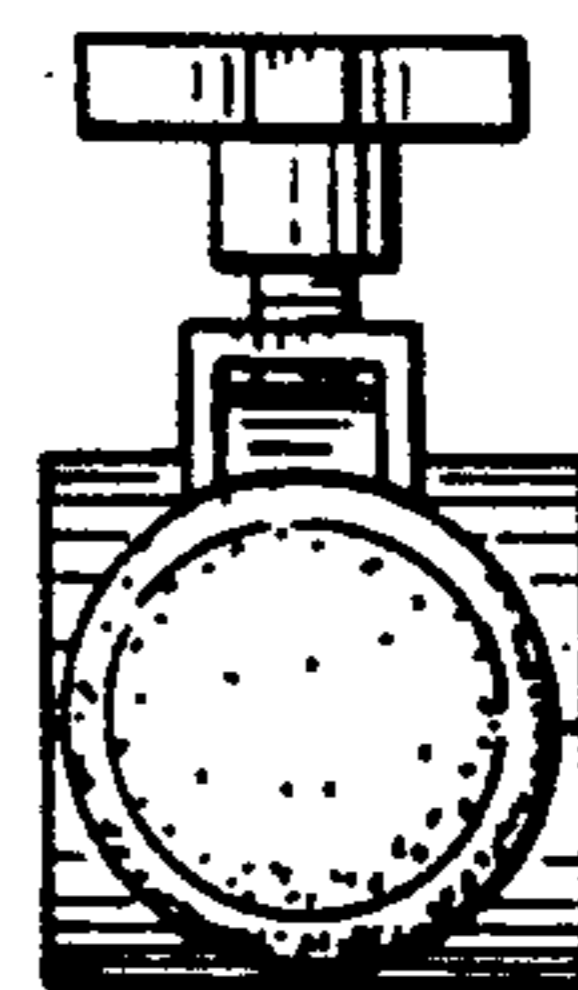
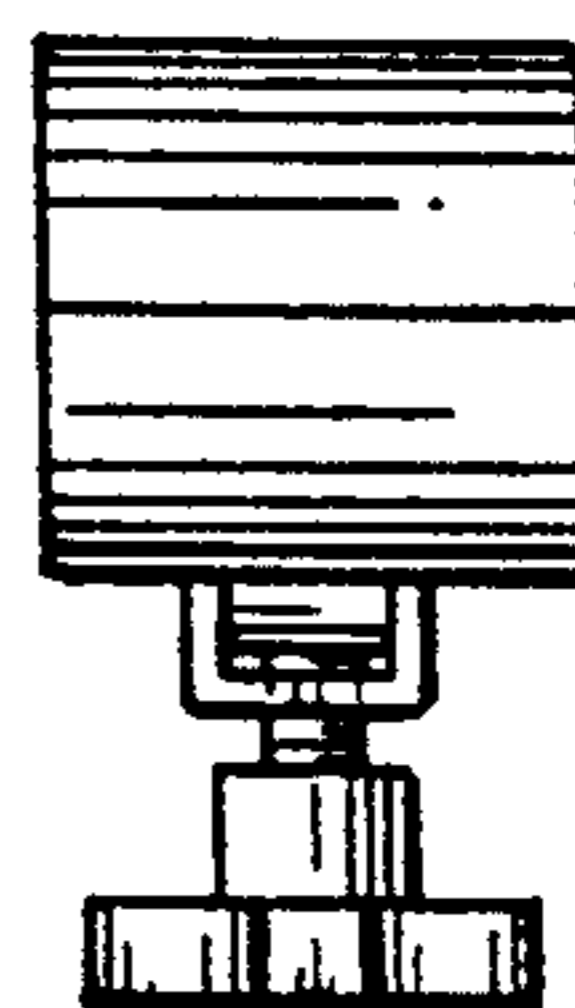


Fig. 6

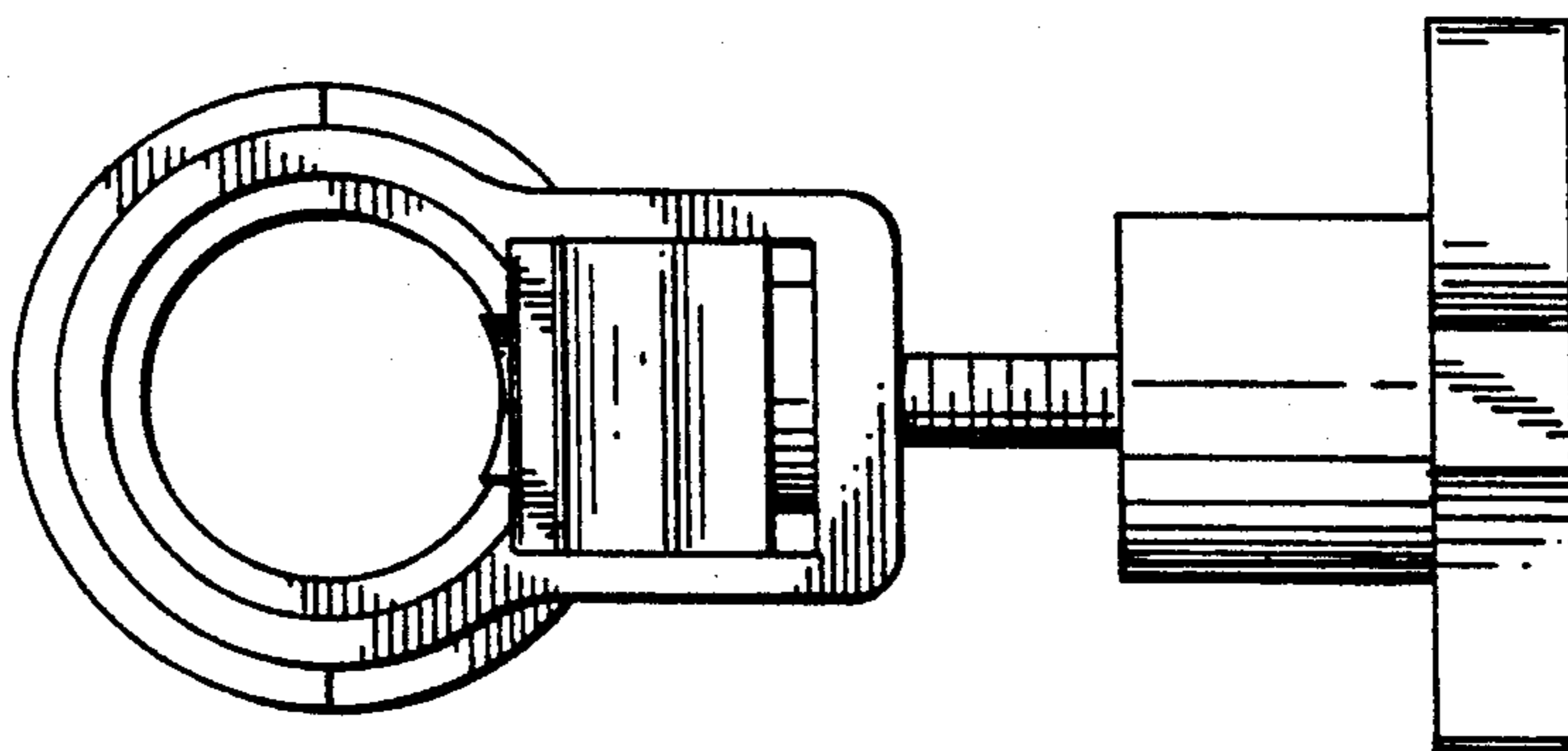


Fig. 7

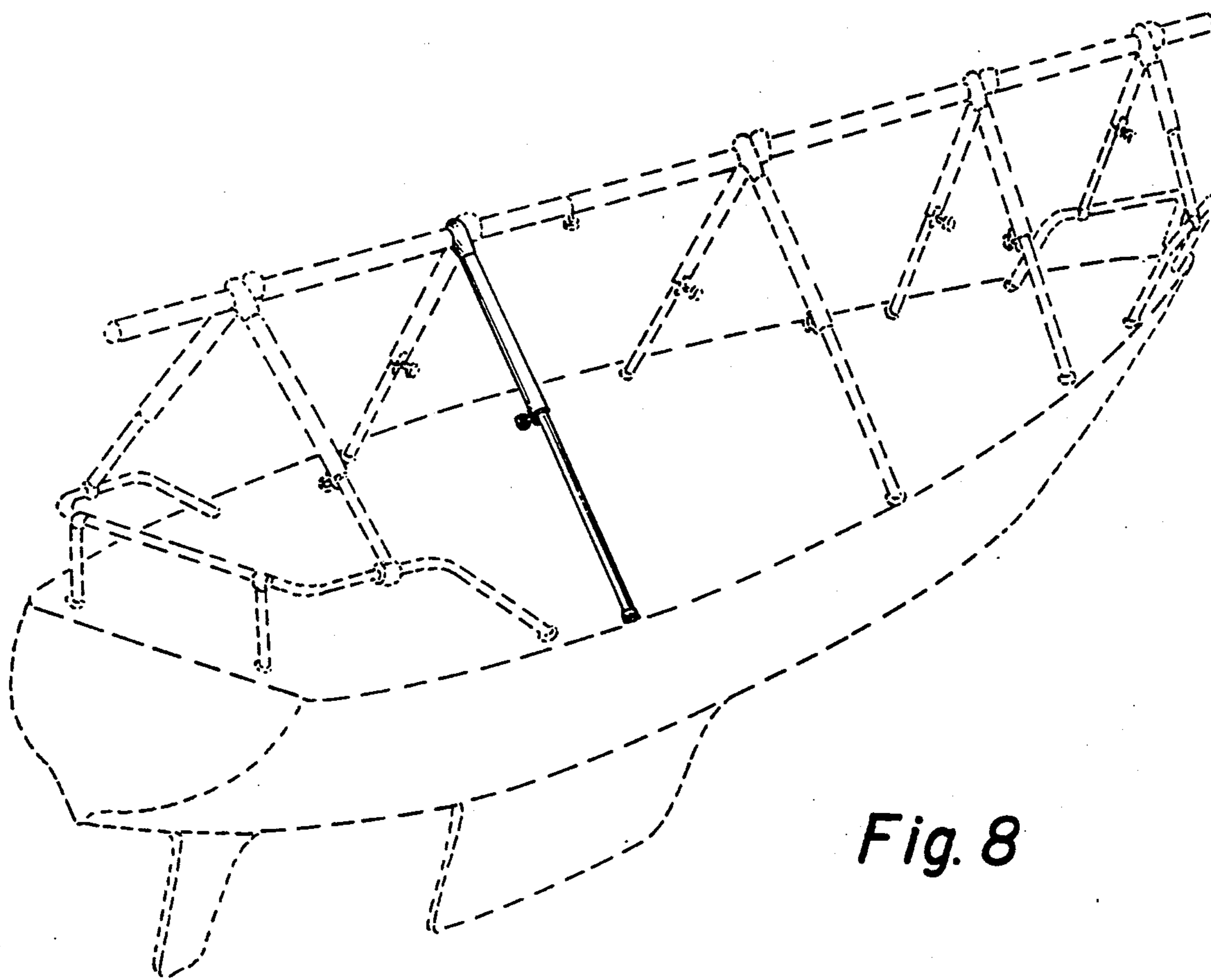


Fig. 8