



US00D336259S

United States Patent [19]

[11] Patent Number: **Des. 336,259**

Joseph

[45] Date of Patent: *** Jun. 8, 1993**

[54] **ELECTRONIC GATE**

[75] Inventor: **Alice Joseph, Schiltigheim, France**

[73] Assignee: **Ateliers Reunis Caddie, Schiltigheim, France**

[*] Notice: The portion of the term of this patent subsequent to Nov. 3, 2006 has been disclaimed.

[**] Term: **14 Years**

[21] Appl. No.: **563,965**

[22] Filed: **Aug. 7, 1990**

[30] **Foreign Application Priority Data**

Feb. 14, 1990 [FR] France 900995

[52] U.S. Cl. **D10/106**

[58] Field of Search D25/38-40, D25/50-51; D10/106-121; 340/568, 571, 572, 574, 578; 256/10, 73; 109/2, 5, 6, 10-12, 58

[56] **References Cited**

U.S. PATENT DOCUMENTS

D. 274,297	6/1984	Wright	D10/104
D. 317,272	6/1991	Rubertus et al.	D10/106
D. 319,195	8/1991	Belletire et al.	D25/39
4,260,137	4/1981	Laurenz	256/10
4,795,995	1/1989	Eccleston et al.	340/572
4,994,939	2/1991	Rubertus et al.	340/572
5,030,941	7/1991	Lizzi et al.	340/572

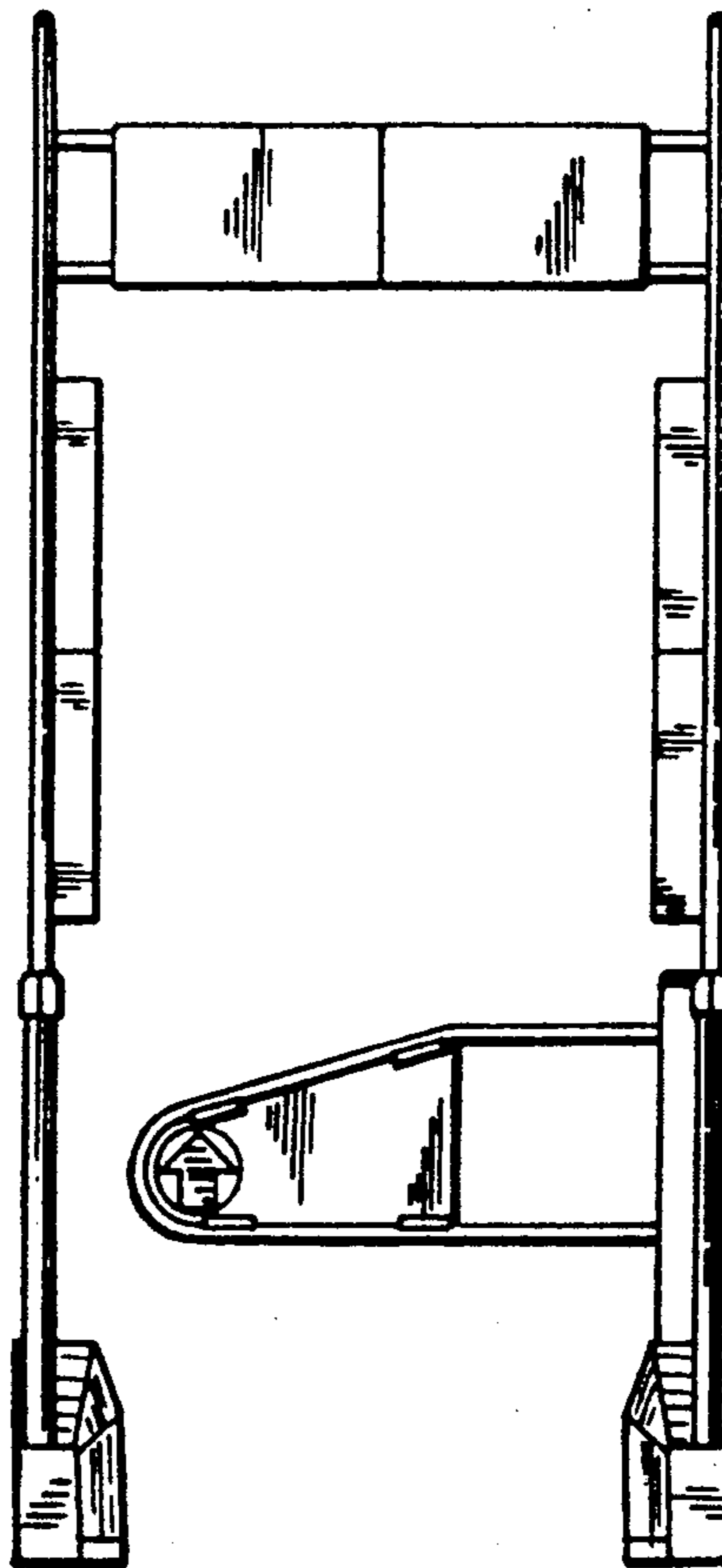
Primary Examiner—A. Hugo Word
Assistant Examiner—Doris Clark
Attorney, Agent, or Firm—Michael J. Striker

[57] **CLAIM**

The ornamental design for an electronic gate, as shown and described.

DESCRIPTION

FIG. 1 is a front elevational view of a electronic gate showing my new design; FIG. 2 is a side elevational view thereof; and, FIG. 3 is a top plan view thereof.



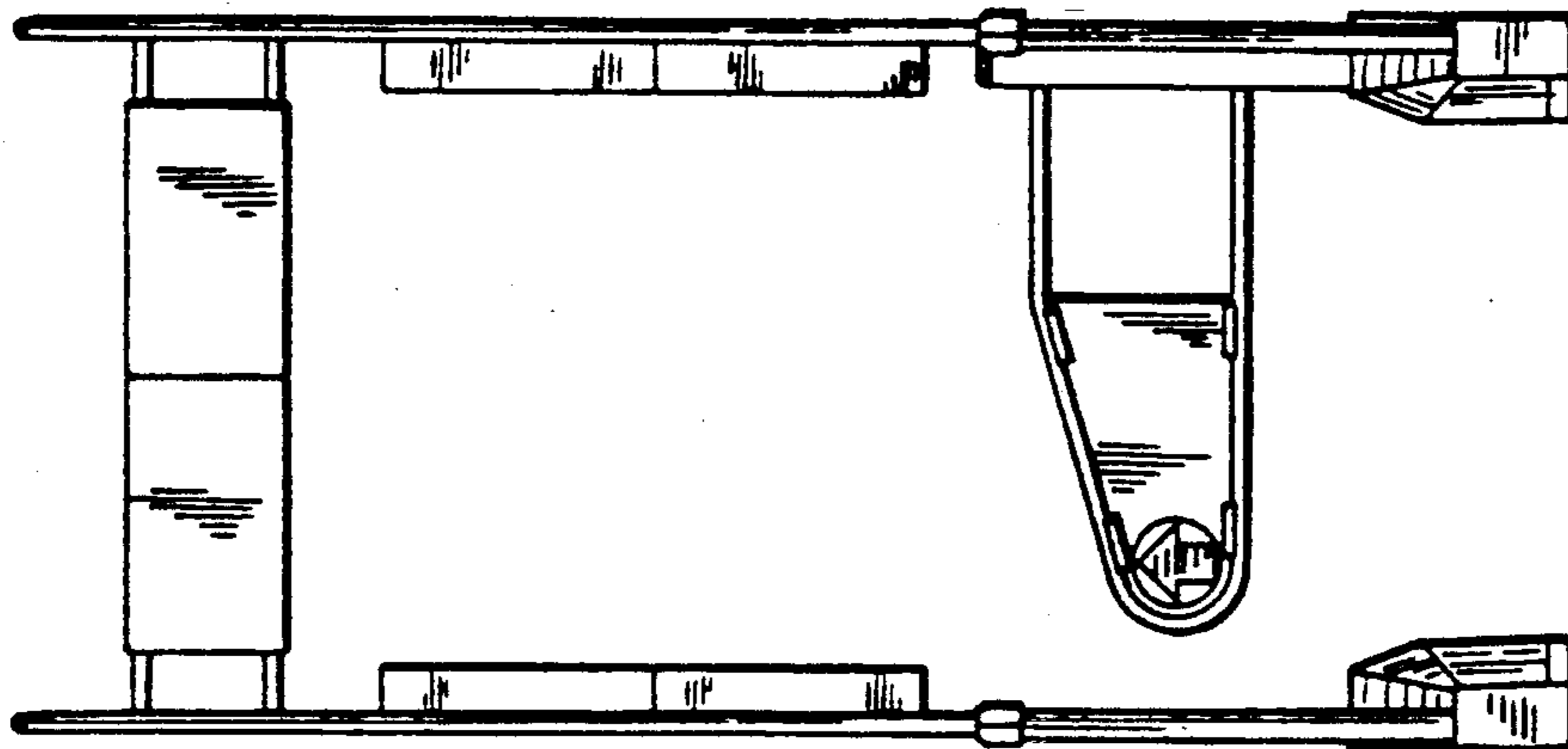


FIG. 1

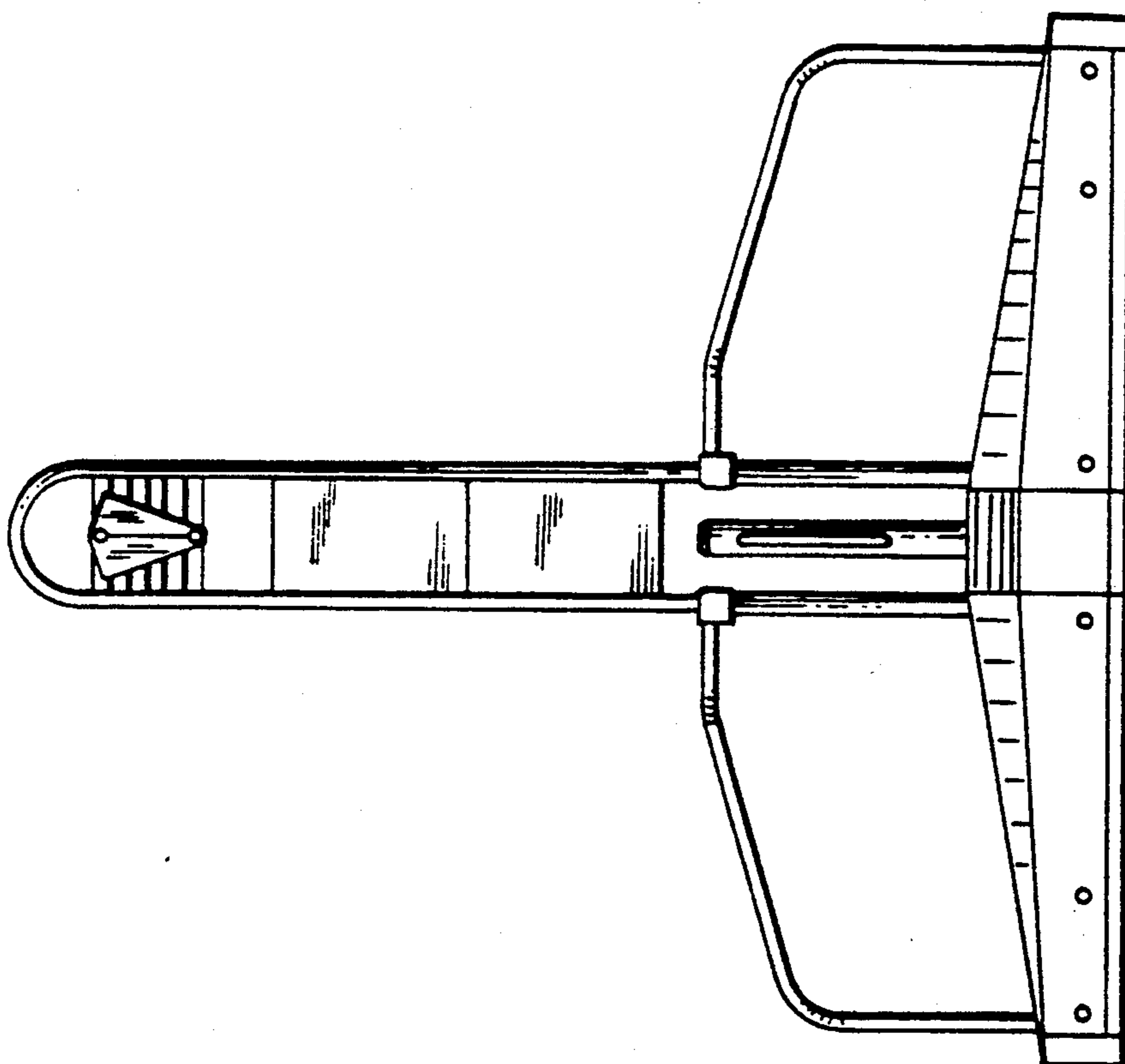


FIG. 2

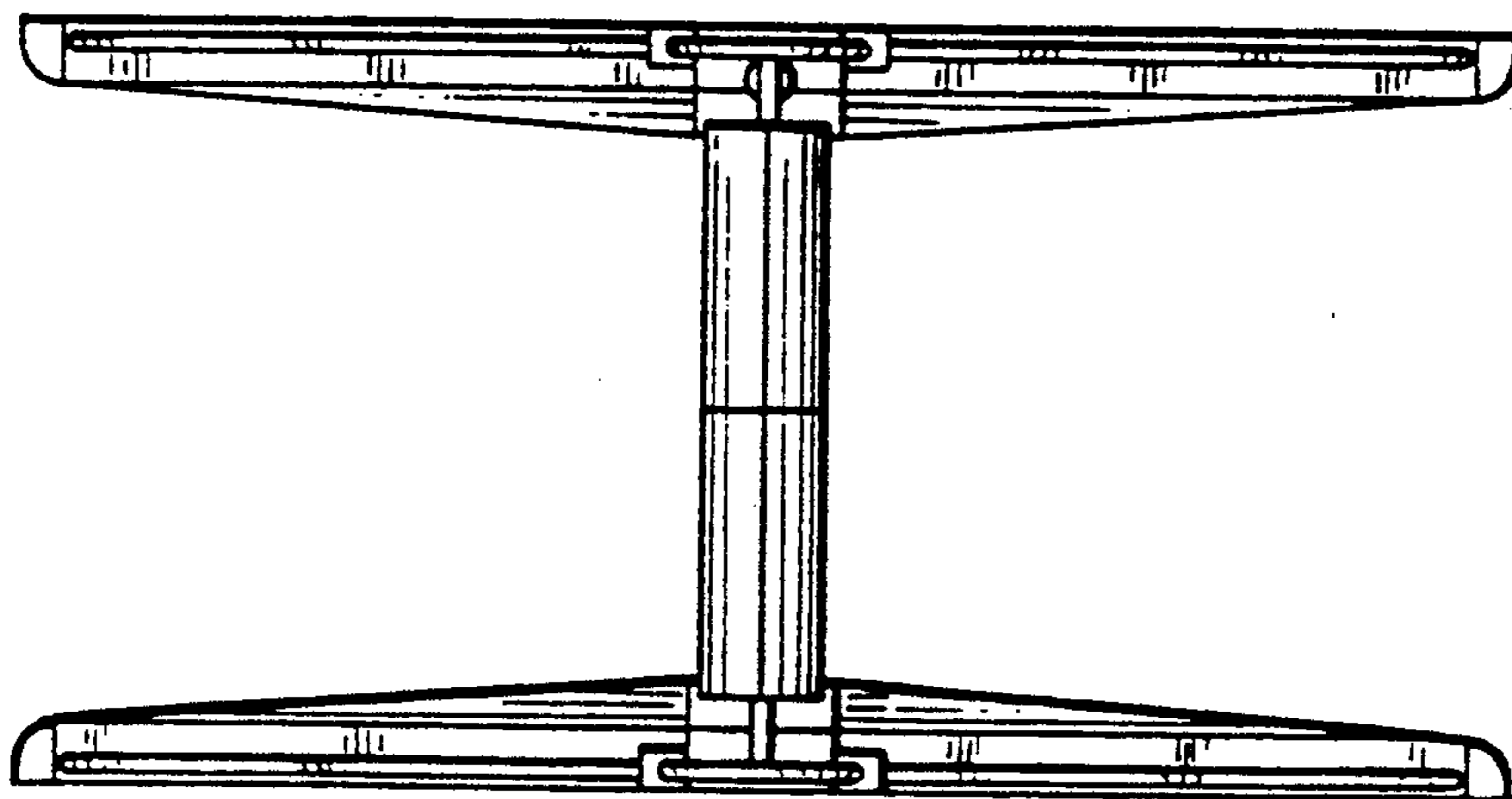


FIG-3