



US00D336252S

United States Patent [19]

[11] Patent Number: **Des. 336,252**

Klose

[45] Date of Patent: **** Jun. 8, 1993**

[54] TEMPERATURE INDICATOR

[75] Inventor: **Odo Klose, Wuppertal, Fed. Rep. of Germany**

[73] Assignee: **Friedrich Grohe Armaturenfabrik GmbH & Co., Hemer, Fed. Rep. of Germany**

[**] Term: **14 Years**

[21] Appl. No.: **722,236**

[22] Filed: **Jun. 21, 1991**

[30] Foreign Application Priority Data

Dec. 21, 1990 [DE] Fed. Rep. of Germany M9008423.3

[52] U.S. Cl. **D10/52**

[58] Field of Search **D10/52, 57, 60; 137/551-557; 239/71-75; 374/100, 141-148, 208**

[56] References Cited

U.S. PATENT DOCUMENTS

D. 317,876	7/1991	Huen	D10/52
3,635,086	1/1972	Beruck	374/148
4,135,549	1/1979	Baker	374/148 X
4,138,890	2/1979	Brown	374/148

Primary Examiner—Alan P. Douglas
Assistant Examiner—A. D. Davis
Attorney, Agent, or Firm—Herbert Dubno; Ronald Lianides

[57] CLAIM

The ornamental design for a temperature indicator, as shown.

DESCRIPTION

FIG. 1 is a perspective view of a temperature indicator showing my new design;
FIG. 2 is a front elevational view thereof;
FIG. 3 is a right-side elevational view thereof;
FIG. 4 is a bottom plan view thereof;
FIG. 5 is a rear elevational view thereof;
FIG. 6 is a left-side elevational view thereof; and,
FIG. 7 is a top plan view thereof.

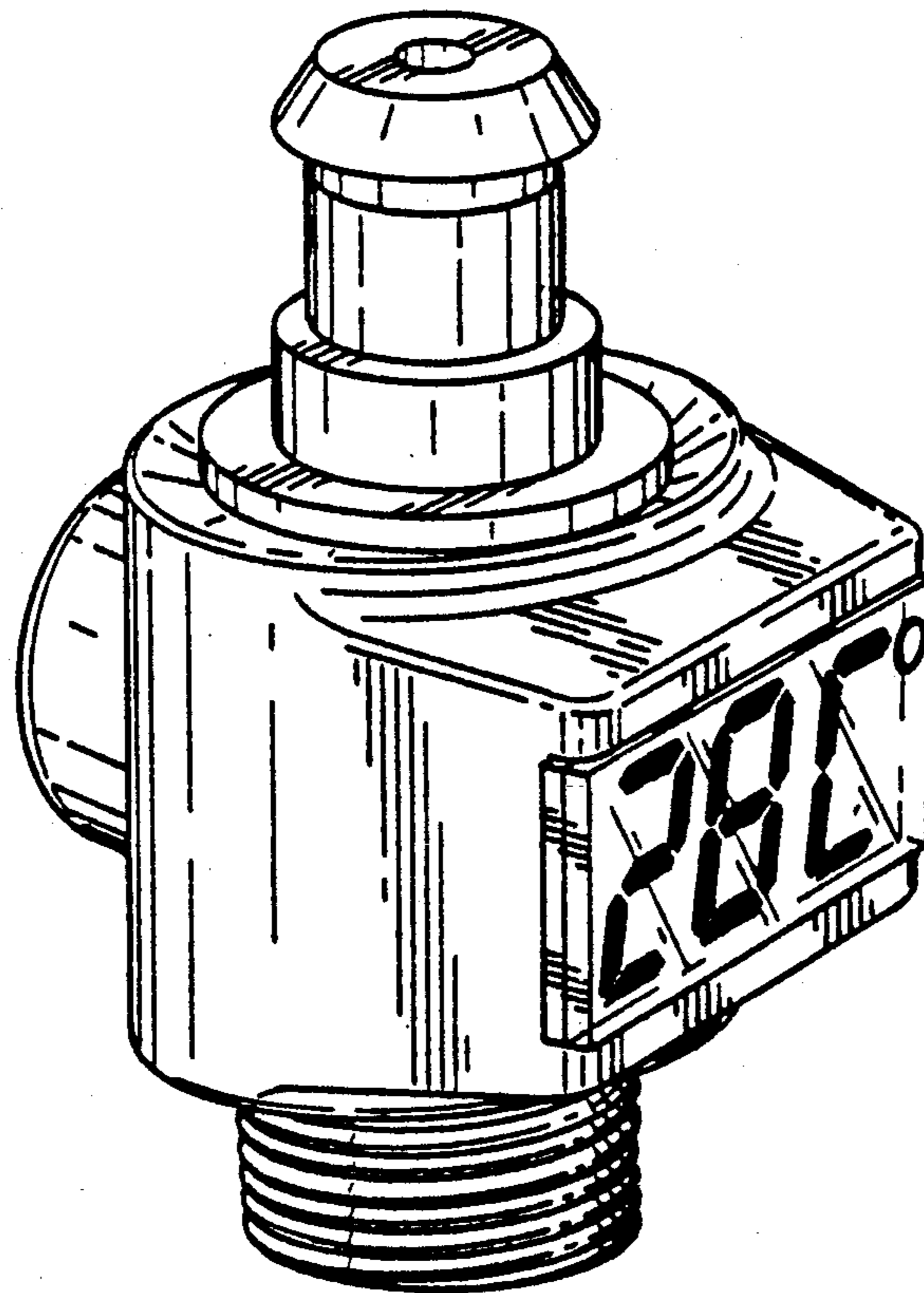


FIG. 1

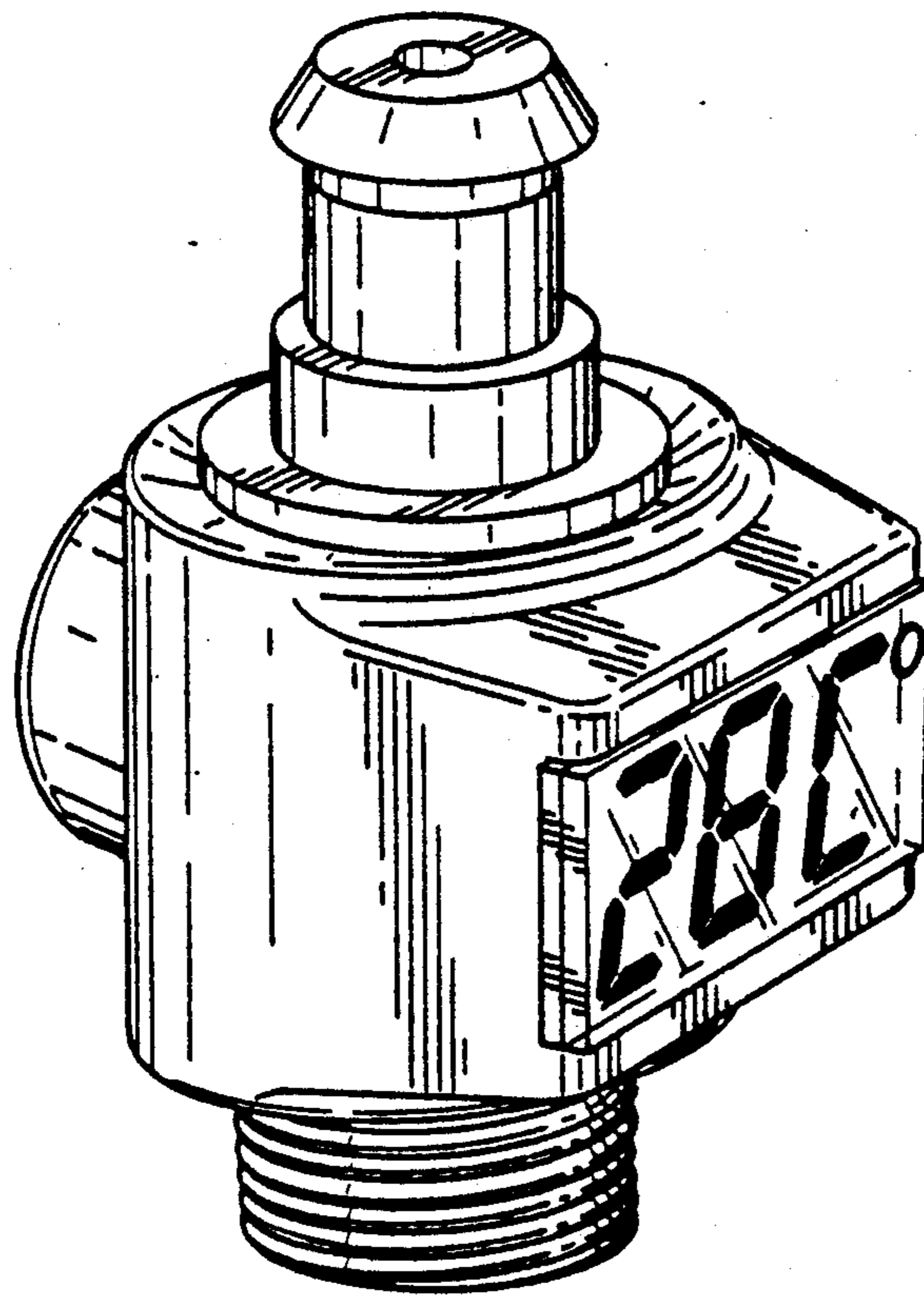


FIG. 2

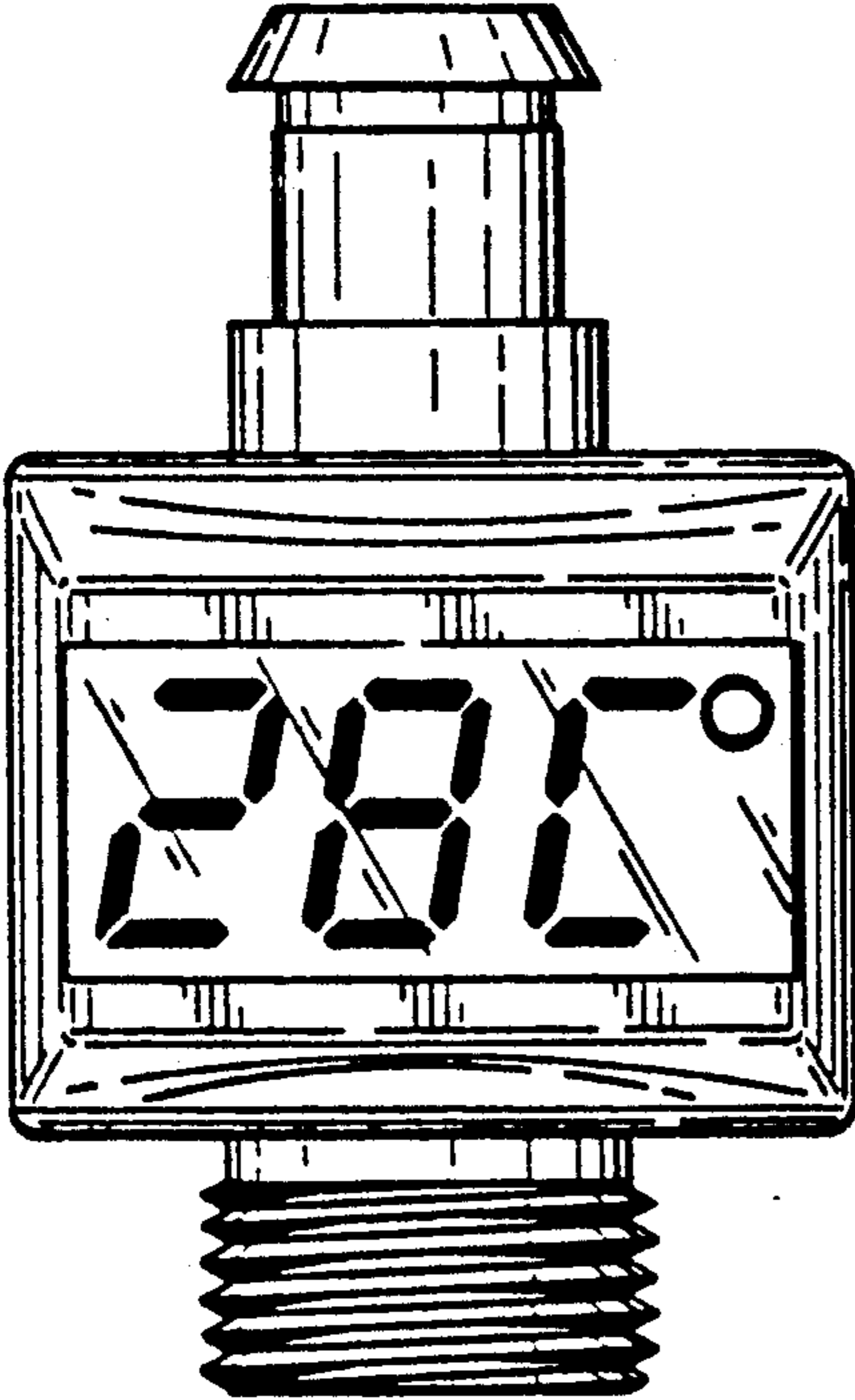


FIG. 3

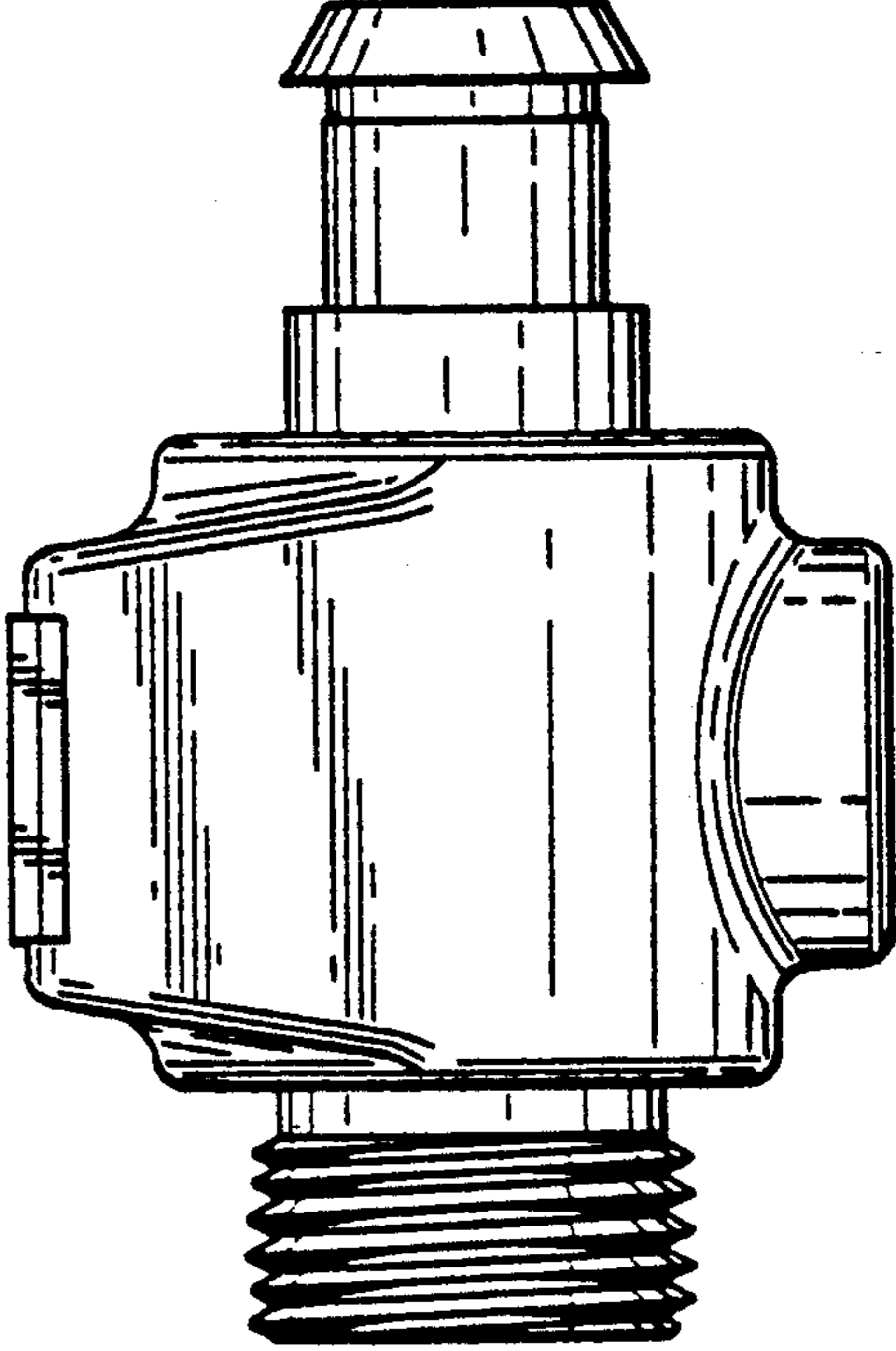


FIG. 4

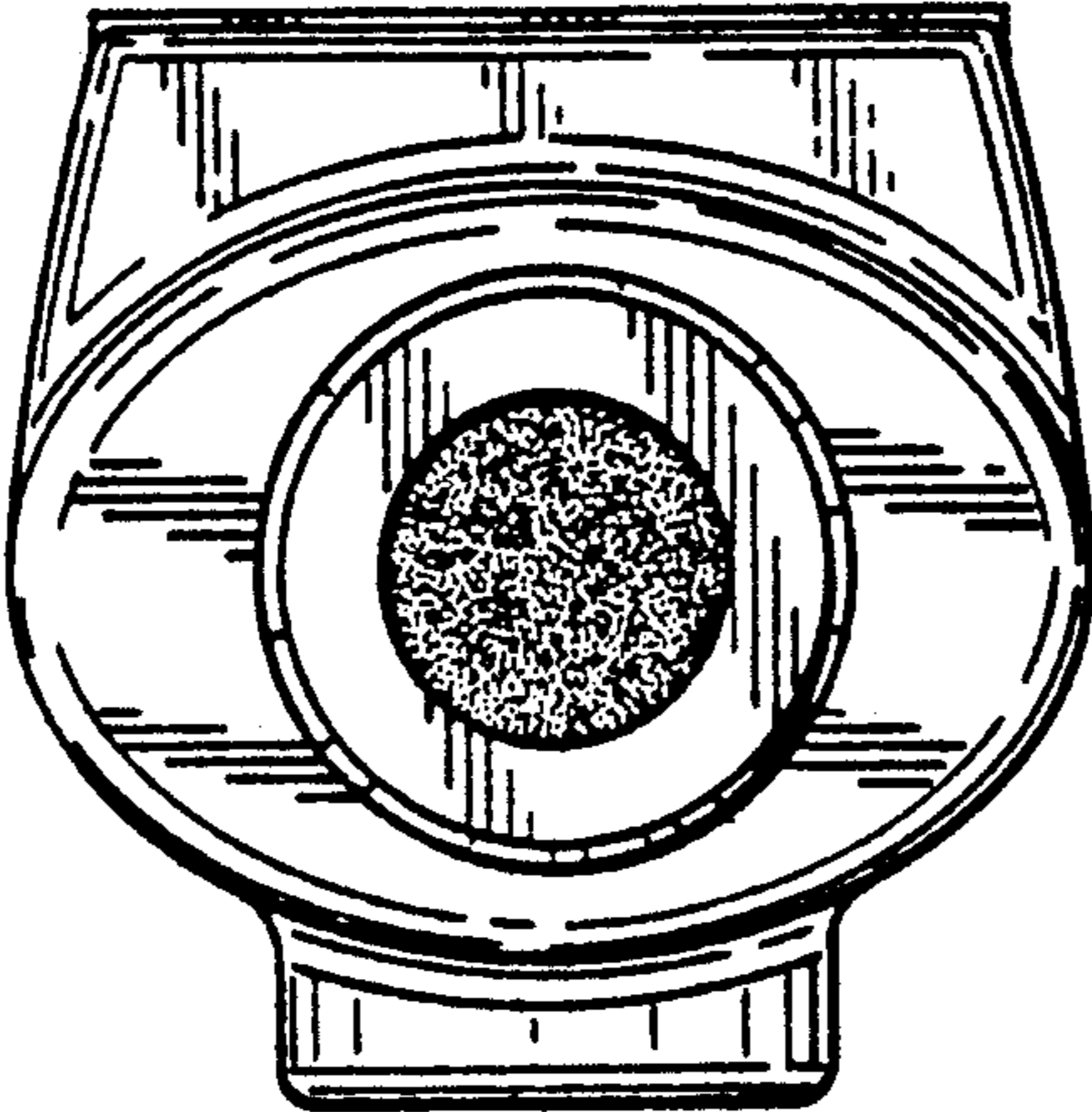


FIG. 5

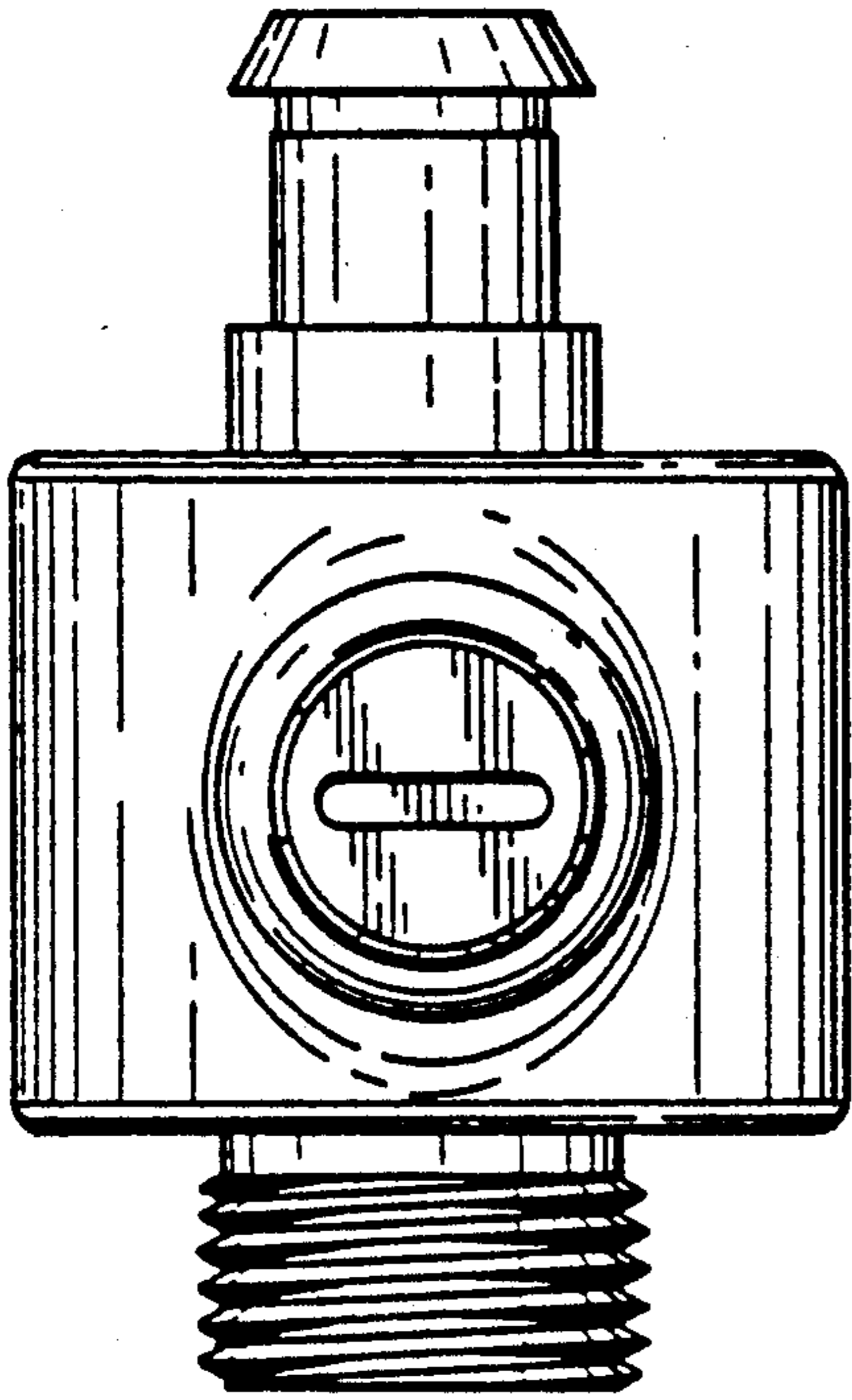


FIG. 6

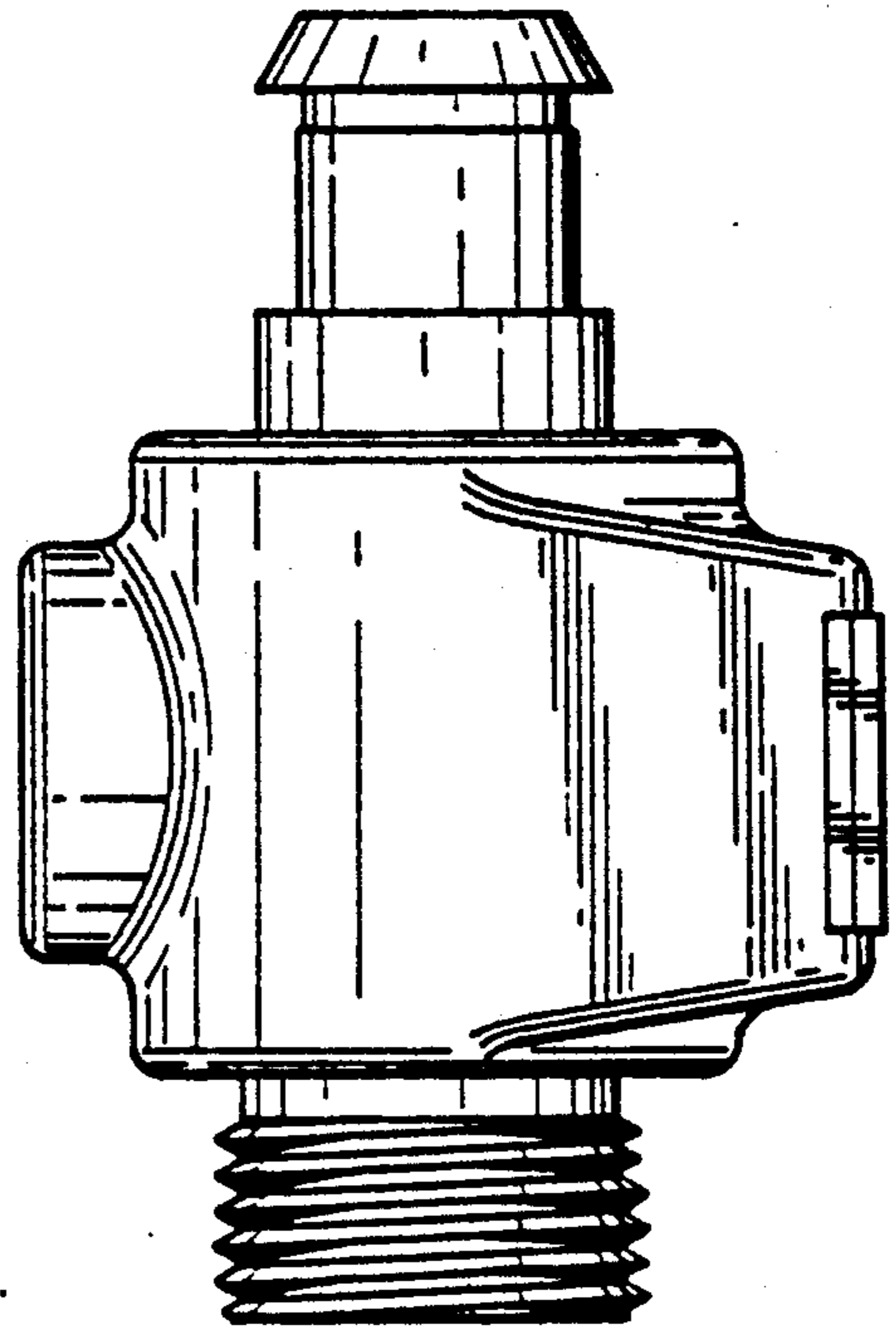


FIG. 7

