



US00D336243S

United States Patent [19]

[11] Patent Number: **Des. 336,243**

Evans

[45] Date of Patent: **** Jun. 8, 1993**

[54] **CONTAINER**

[75] Inventor: **David Evans, Acton, Mass.**

[73] Assignee: **Tucker Housewares, Inc.,
Leominster, Mass.**

[**] Term: **14 Years**

[21] Appl. No.: **699,782**

[22] Filed: **May 13, 1991**

[52] U.S. Cl. **D9/425; D9/420;
D6/440; D6/446; D34/7; D34/40**

[58] Field of Search **D9/424, 425, 420, 423,
D9/431; D34/40, 43, 7, 8; D7/602, 601;
206/508, 203, 518, 519, 557; 220/23.6, 337,
23.83; 211/126, 88; D6/446**

[56] **References Cited**

U.S. PATENT DOCUMENTS

D. 242,659	12/1976	Clipson et al.	D34/40
D. 255,995	7/1980	Kinslow	D9/423
D. 258,629	3/1981	Borzner, Jr. et al.	D6/446
D. 304,120	10/1989	Buchanan et al.	D34/40

D. 311,799	10/1990	Embree et al.	D34/40
D. 327,971	7/1992	Cugley	D34/40
3,937,389	2/1976	Wind	206/557 X
4,469,239	9/1984	Gallery, IV et al.	220/337

OTHER PUBLICATIONS

Lewisystems Jan. 1983, p. 24.

Primary Examiner—Bernard Ansher
Assistant Examiner—Prabhakar Deshmukh
Attorney, Agent, or Firm—Darby & Darby

[57] **CLAIM**

The ornamental design for a container, as shown and described.

DESCRIPTION

FIG. 1 is a perspective view of a container showing my new design;
FIG. 2 is a right side elevational view thereof; the left side elevational view being a mirror image thereof;
FIG. 3 is a top plan view thereof;
FIG. 4 is a front elevational view thereof;
FIG. 5 is a rear elevational view thereof; and,
FIG. 6 is a bottom plan view thereof.

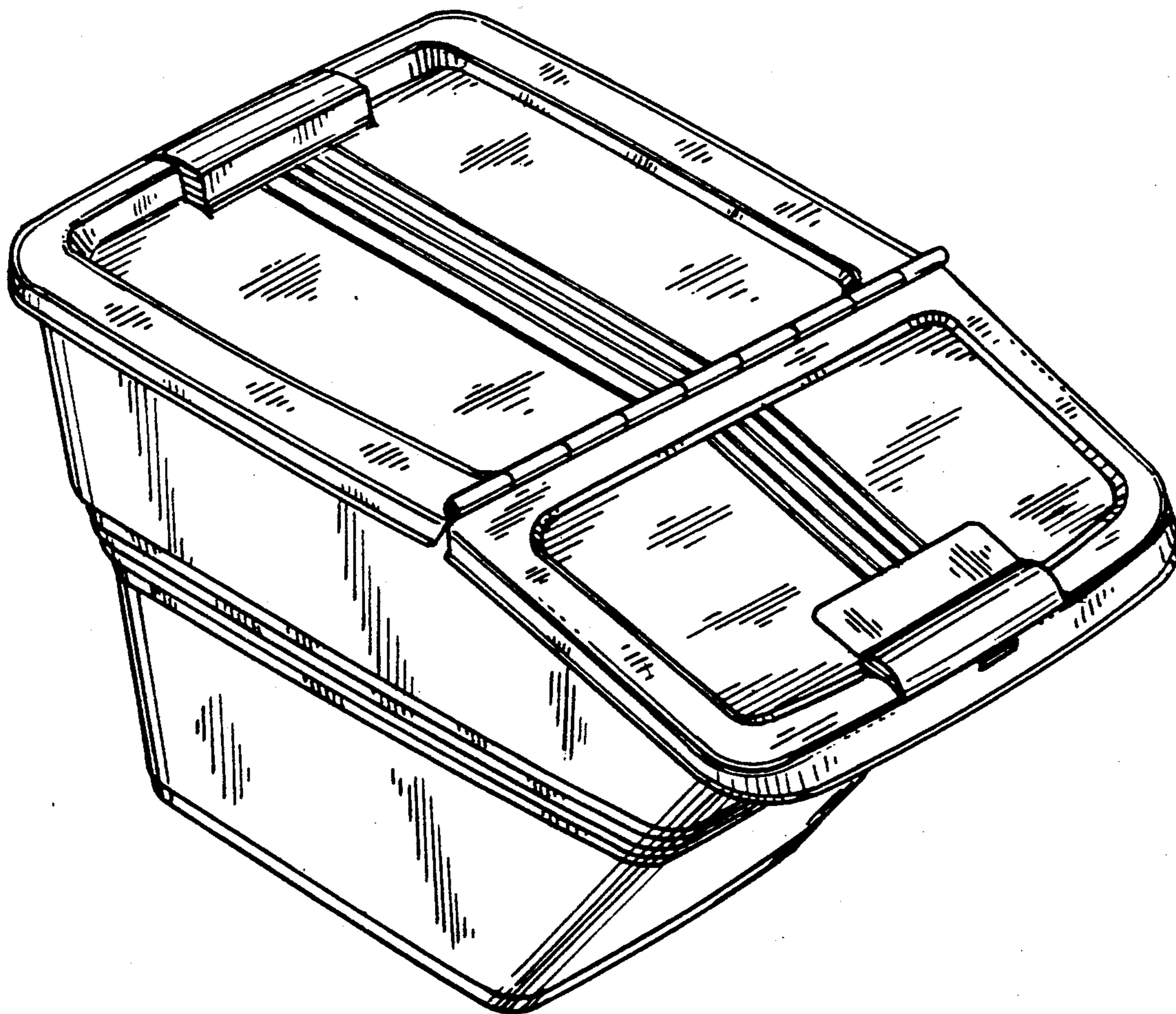


FIG. 1

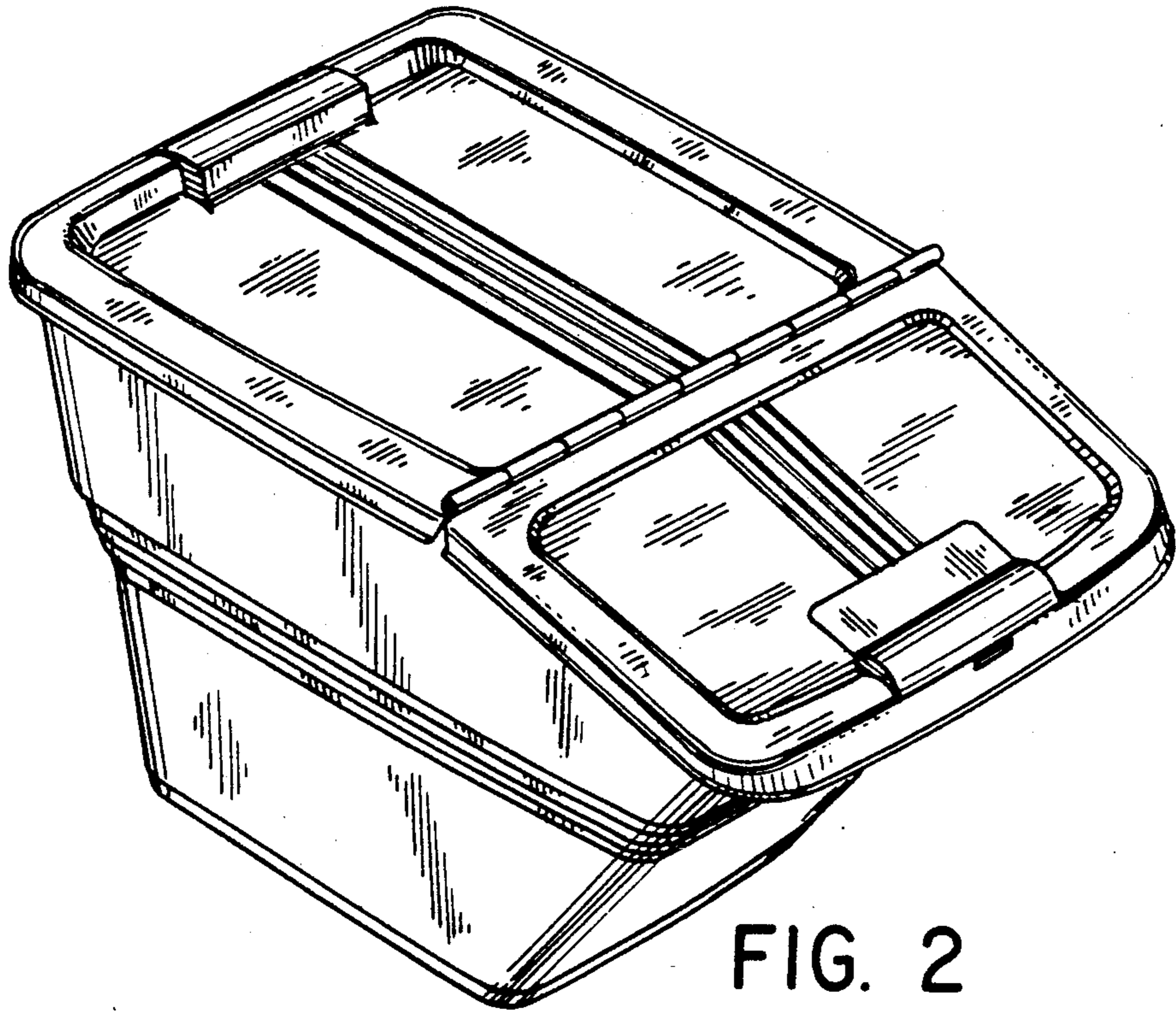


FIG. 2

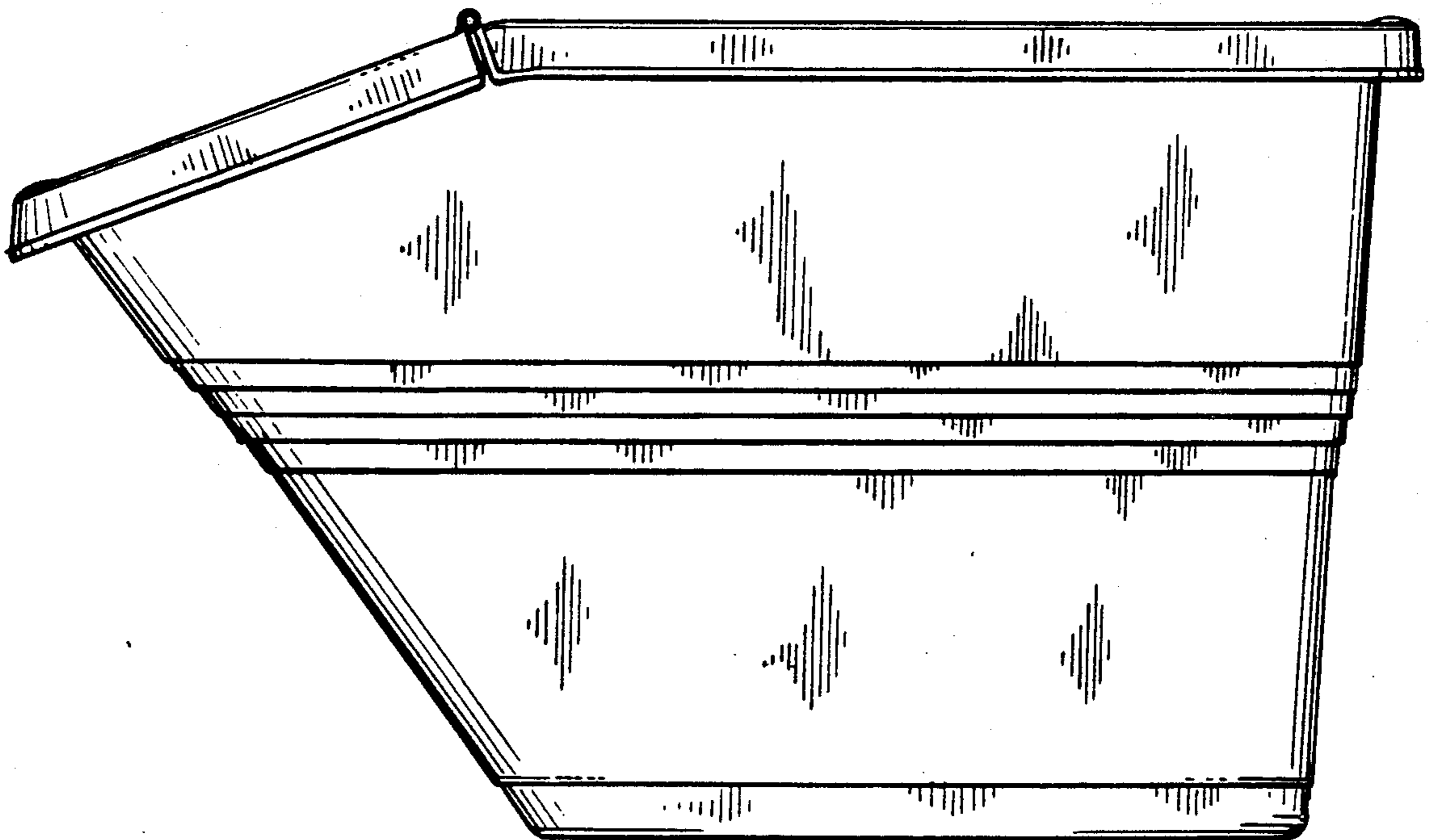


FIG. 3

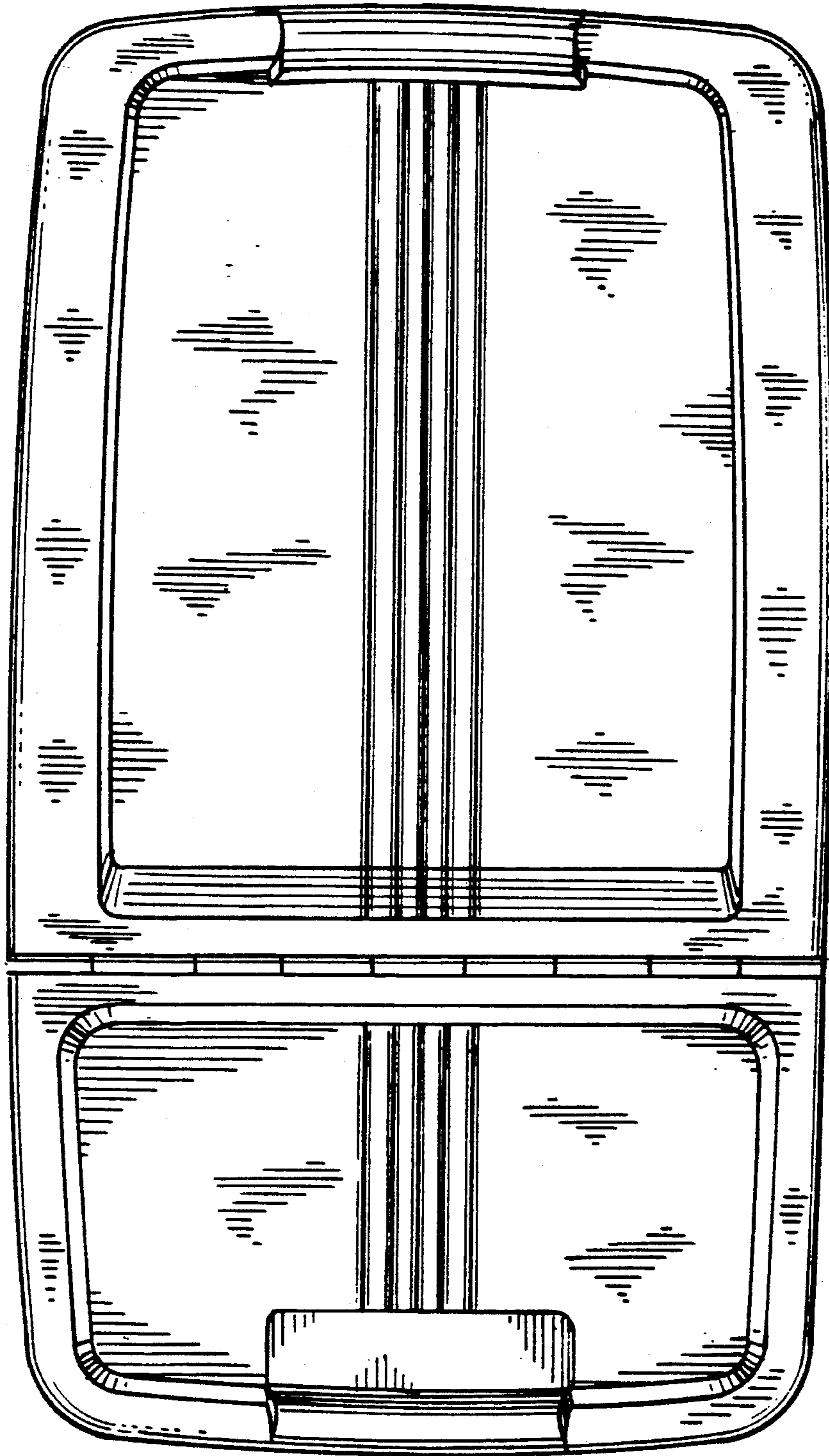


FIG. 4

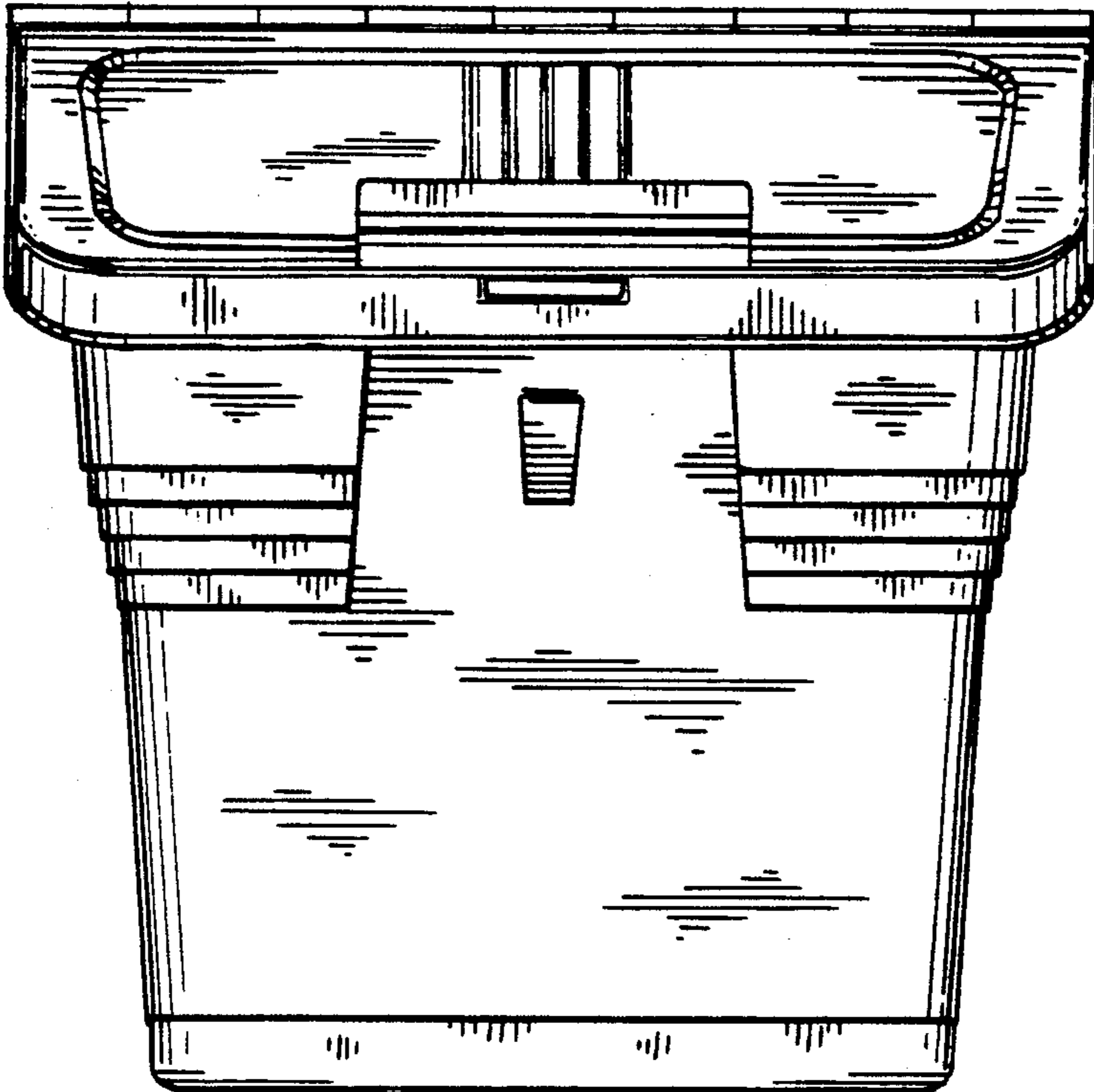


FIG. 5

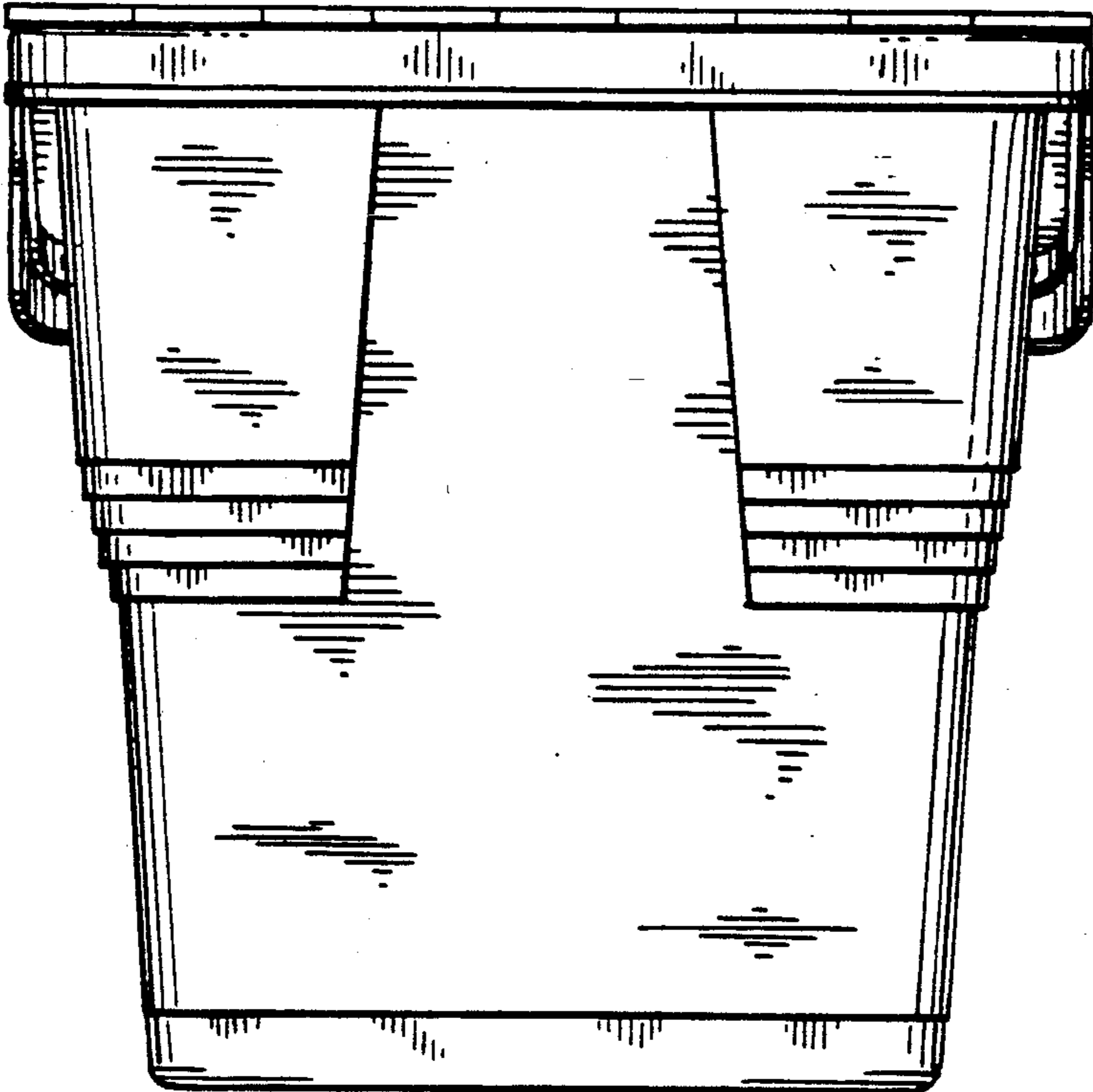


FIG. 6

