



US00D336240S

United States Patent [19]

[11] Patent Number: **Des. 336,240**

Castaldo

[45] Date of Patent: **** Jun. 8, 1993**

[54] CONTAINER

[76] Inventor: **Donald R. Castaldo**, 28 Clove Brook Rd., Valhalla, N.Y. 10595

[**] Term: **14 Years**

[21] Appl. No.: **751,213**

[22] Filed: **Aug. 28, 1991**

[52] U.S. Cl. **D9/414**

[58] Field of Search **D9/414, 428, 424, 416, D9/337, 452, 517, 549, 537, 518; 224/219-222, 241; 206/216, 524-526, 524.1, 557, 566**

[56] **References Cited**

U.S. PATENT DOCUMENTS

D. 258,495	3/1981	Benedict	D9/414
D. 260,241	8/1981	Carluccio	D9/549 X
D. 314,704	2/1991	Lillelund et al.	D9/428 X
1,573,239	2/1926	Gilliland	224/219 X
3,202,331	8/1965	McKinstrie	224/221
3,504,832	4/1970	Corvetti	206/557 X
4,606,484	8/1986	Winter et al.	224/222 X
4,821,932	4/1989	Petryshyn	224/222

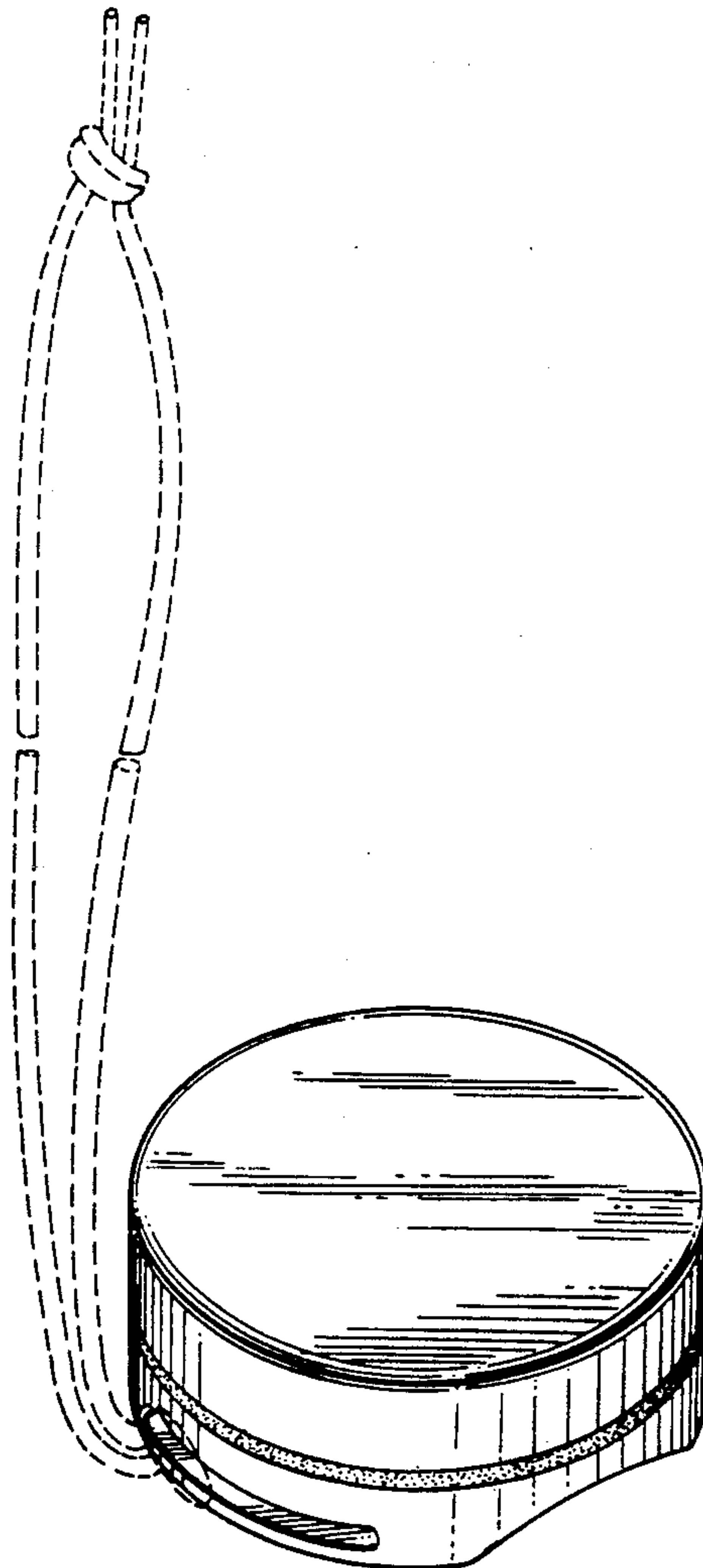
Primary Examiner—Bernard Ansher
Assistant Examiner—Prabhakar Deshmukh
Attorney, Agent, or Firm—Hopgood, Calimafde, Kalil, Blaustein & Judlowe

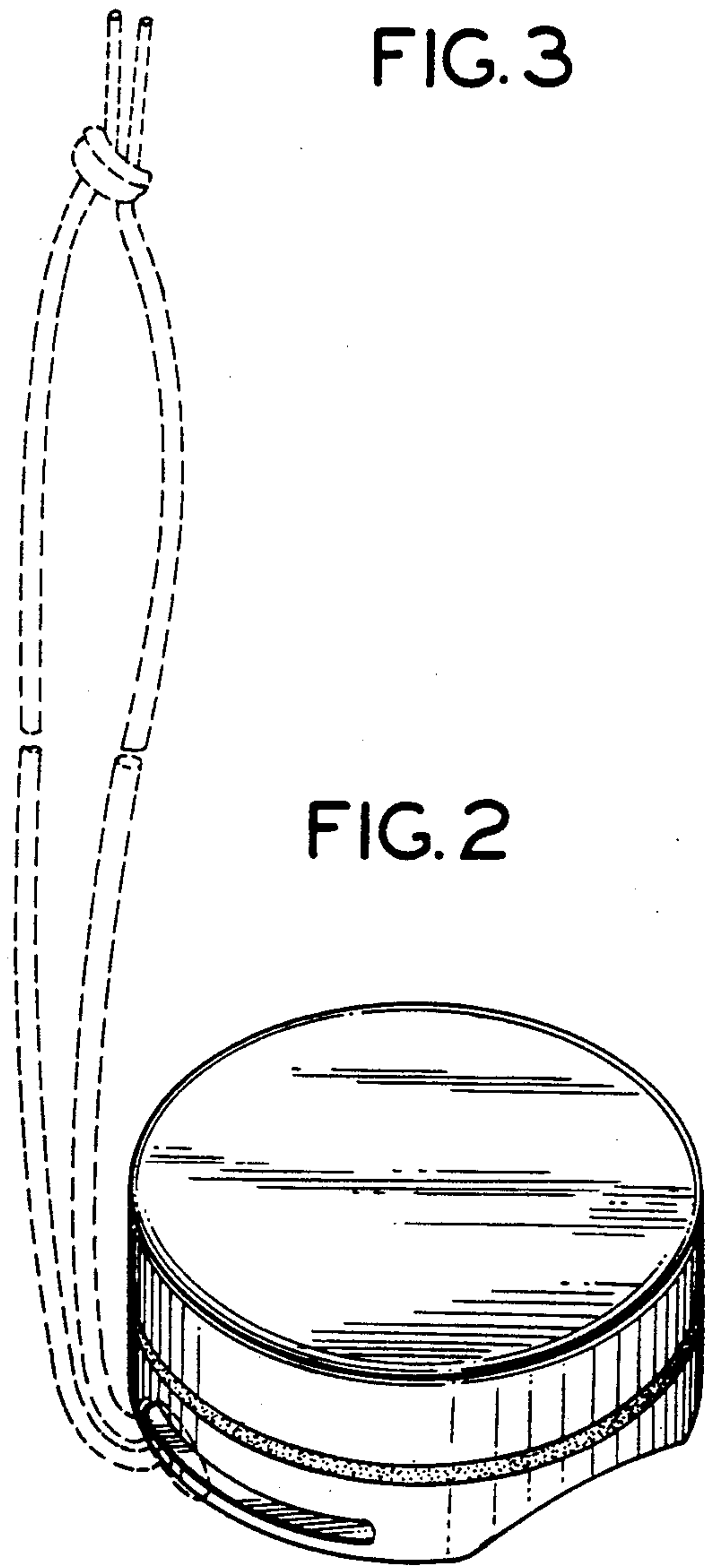
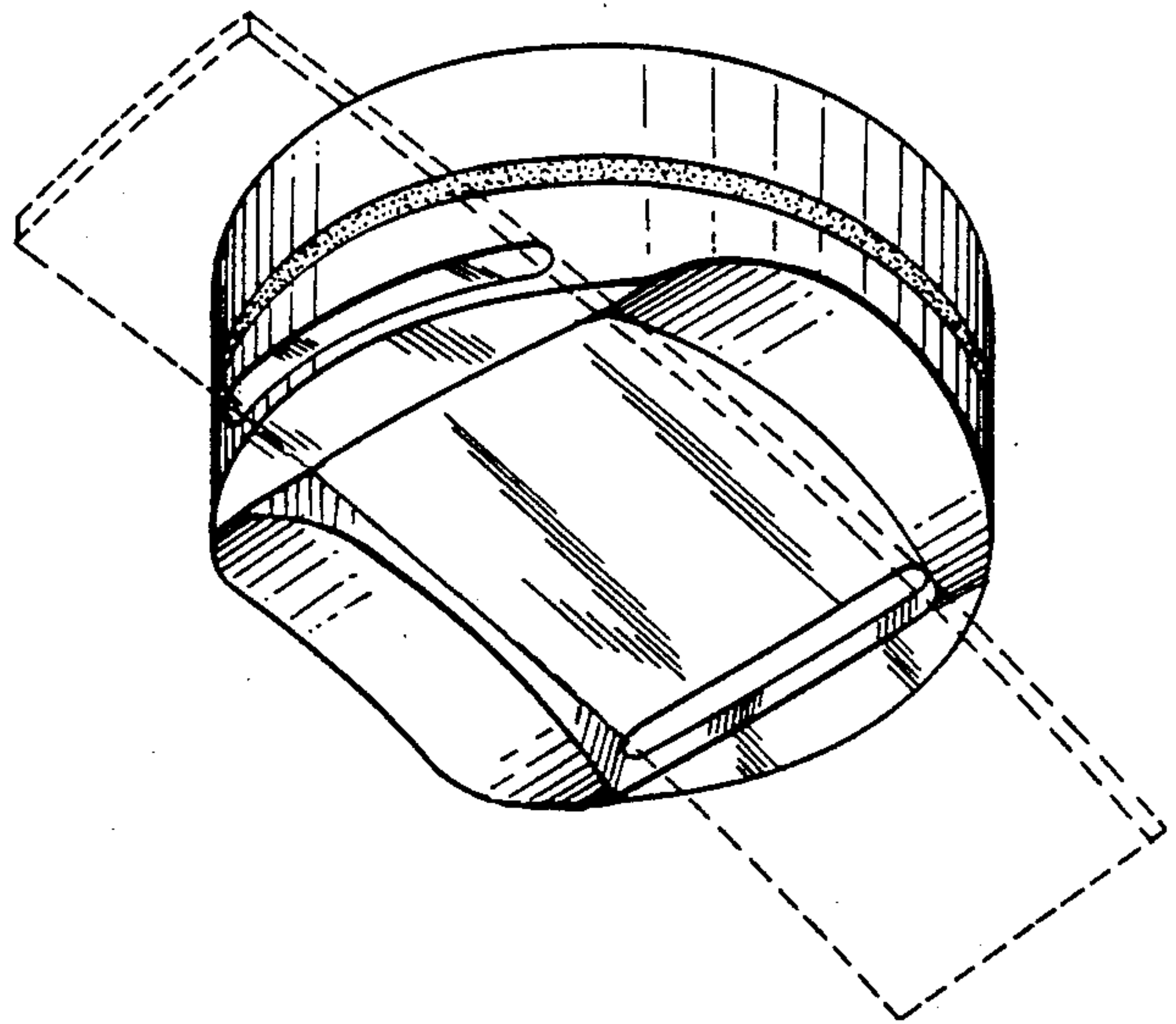
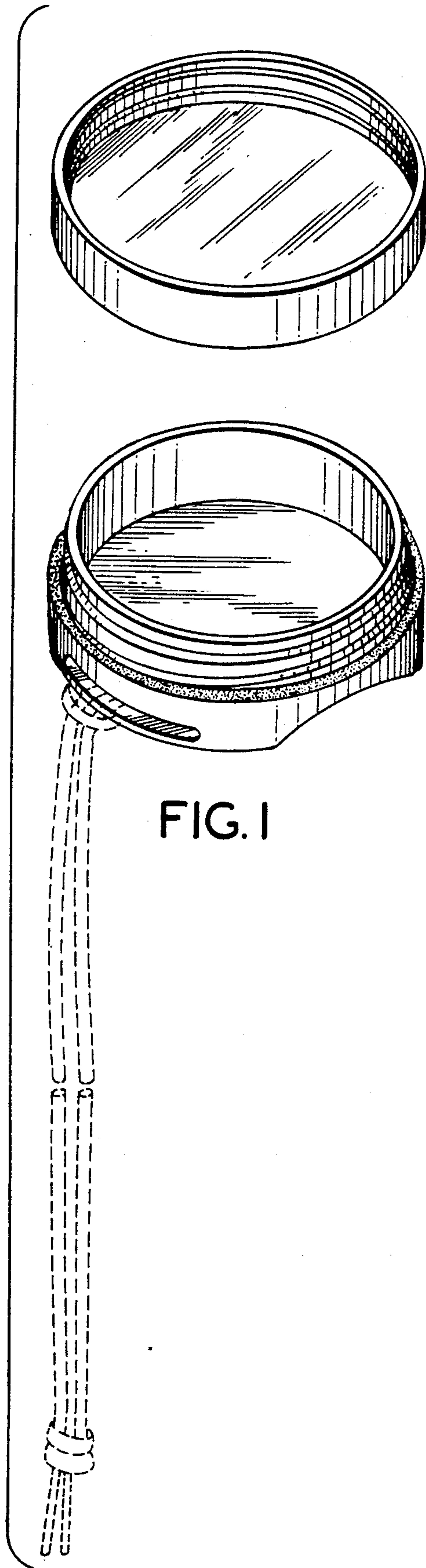
[57] **CLAIM**

The ornamental design for container, as shown and described.

DESCRIPTION

FIG. 1 is an exploded perspective view of a container showing my new design;
FIG. 2 is a top perspective view thereof;
FIG. 3 is a bottom perspective view thereof;
FIG. 4 is a top plan view thereof;
FIG. 5 is a left side elevational view thereof; the right side elevational view being a mirror image thereof;
FIG. 6 is a front elevational view thereof; the rear elevational view being a mirror image thereof; and,
FIG. 7 is a bottom plan view thereof.
The broken line showing of a string and strap is for illustrative purposes only and forms no part of the claim.





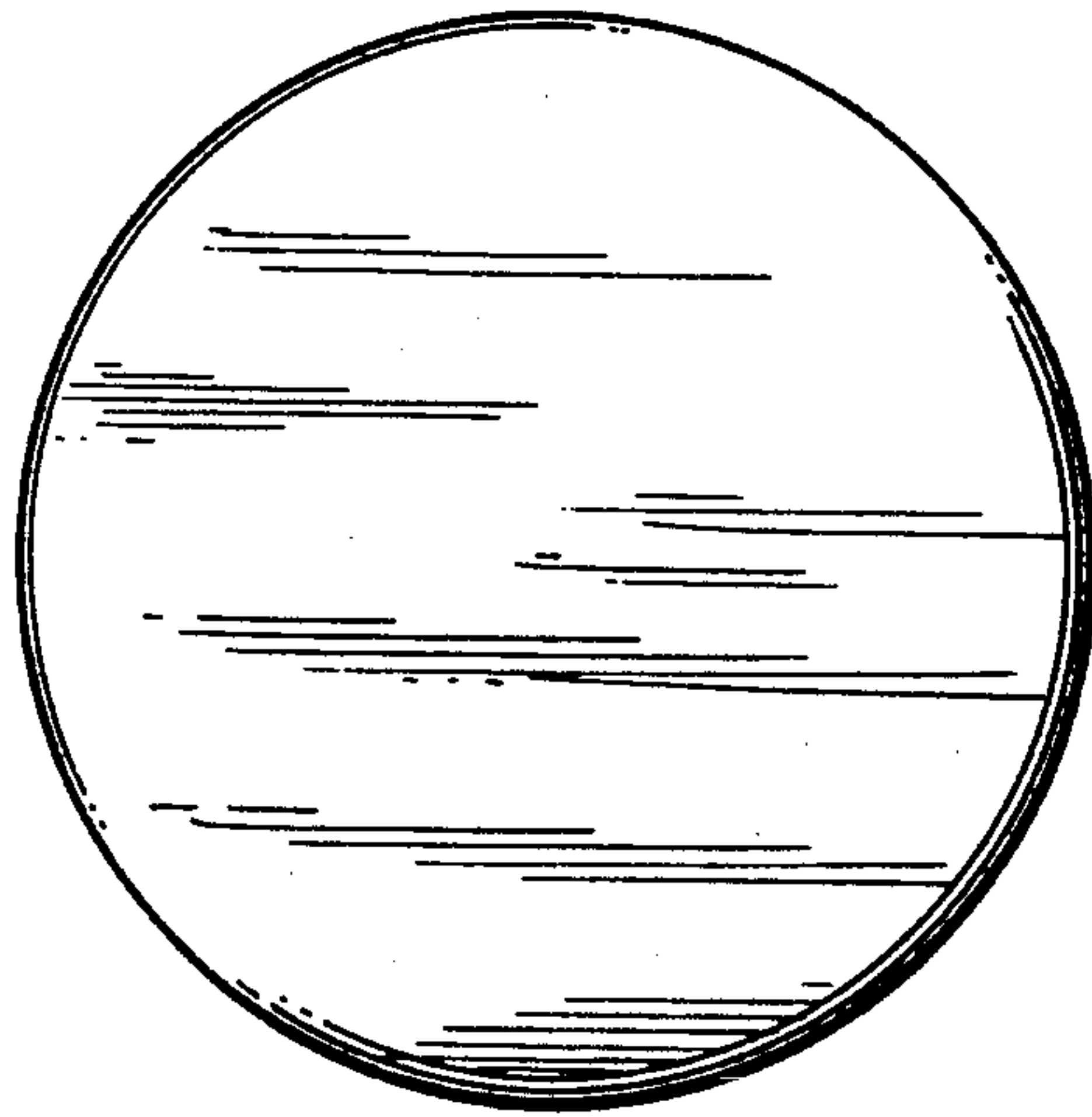


FIG 4

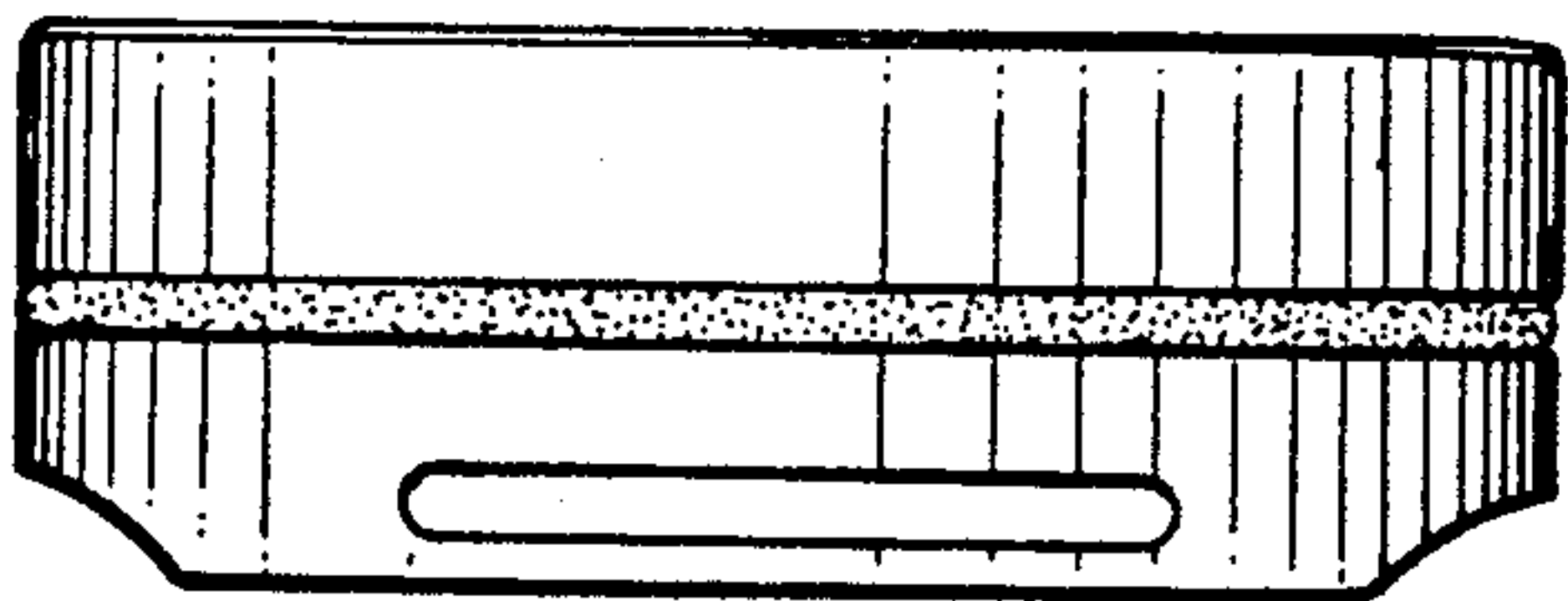


FIG. 5

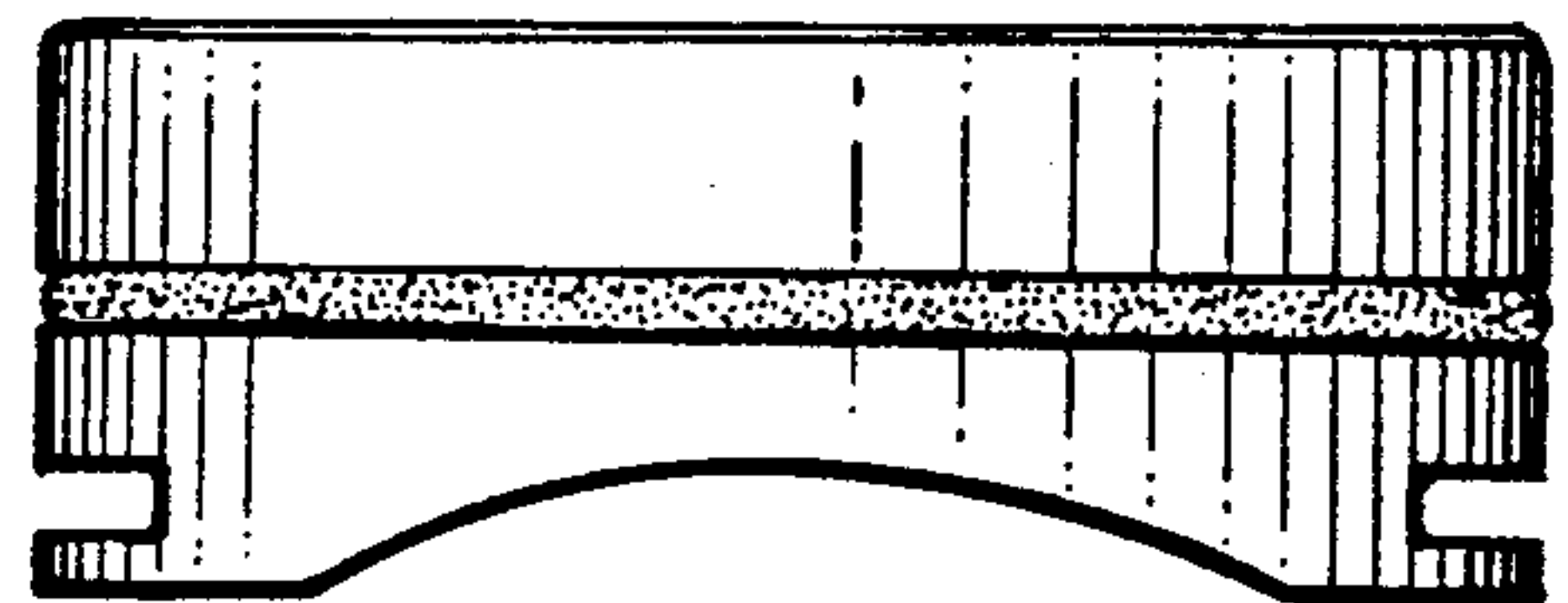


FIG. 6

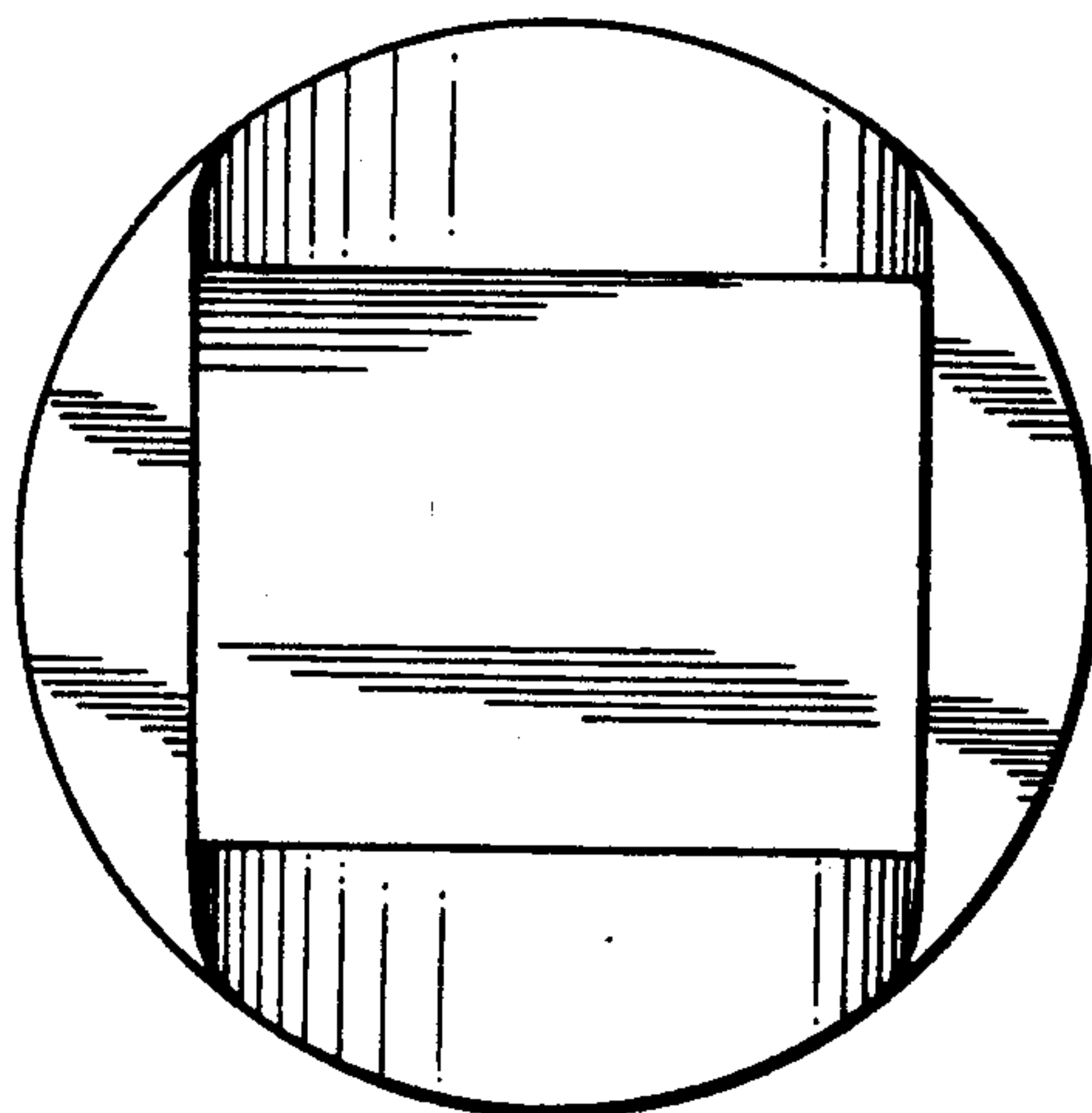


FIG. 7