



US00D336234S

United States Patent [19]

Burgin et al.

[11] Patent Number: Des. 336,234

[45] Date of Patent: ** Jun. 8, 1993

[54] BASSINET HOOD HINGE CONNECTOR

[75] Inventors: **Ralph Burgin**, West Point; **Duane Daley**, West Burlington, both of Iowa

[73] Assignee: **Burlington Basket Company**, Burlington, Iowa

[**] Term: **14 Years**

[21] Appl. No.: **586,737**

[22] Filed: **Sep. 24, 1990**

[52] U.S. Cl. **D8/323; D8/382**

[58] Field of Search **D8/323, 382; D6/340; 5/93.1, 93.2, 416; 280/47.38, 31, 658; D12/128; 16/221, 239, DIG. 43; 403/64, 65, 68, 82, 119**

[56] **References Cited**

U.S. PATENT DOCUMENTS

1,126,236	1/1915	Lees	5/416
1,636,093	7/1927	Hartenstein	280/47.38
1,890,469	12/1932	Powers	280/47.38
1,999,917	4/1935	Sharpe	403/68

2,433,504 12/1947 Zimmermann 5/93.1

Primary Examiner—B. J. Bullock
Attorney, Agent, or Firm—Zarley, McKee, Thomte, Voorhees & Sease

[57] **CLAIM**

The ornamental design for a bassinet hood hinge connector as shown and described.

DESCRIPTION

FIG. 1 is a front perspective view of a bassinet hood hinge connector showing our new design, the bassinet and left connector being shown in broken lines for illustrative purposes only;

FIG. 2 is an enlarged perspective view thereof;

FIG. 3 is an enlarged rear perspective view thereof;

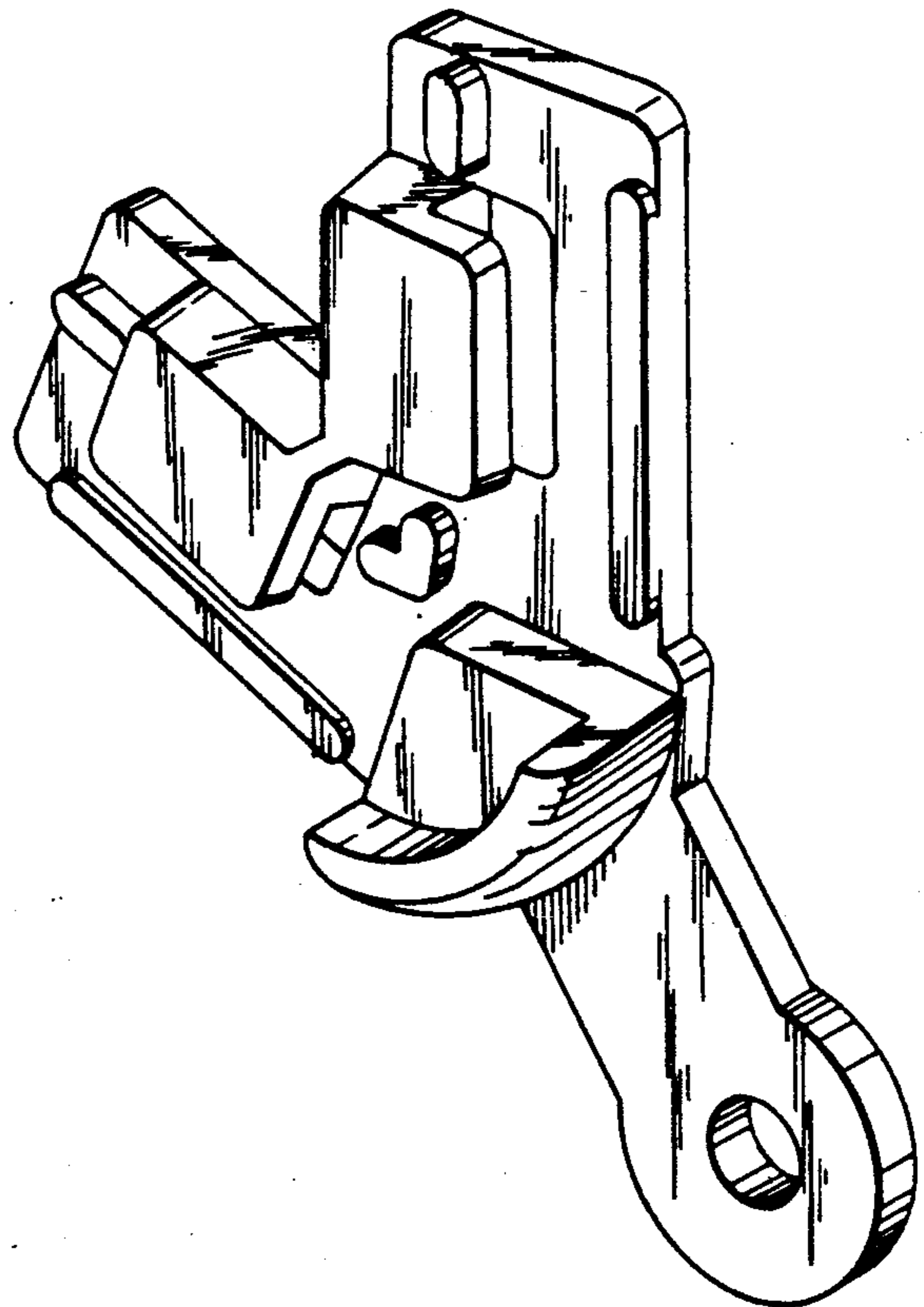
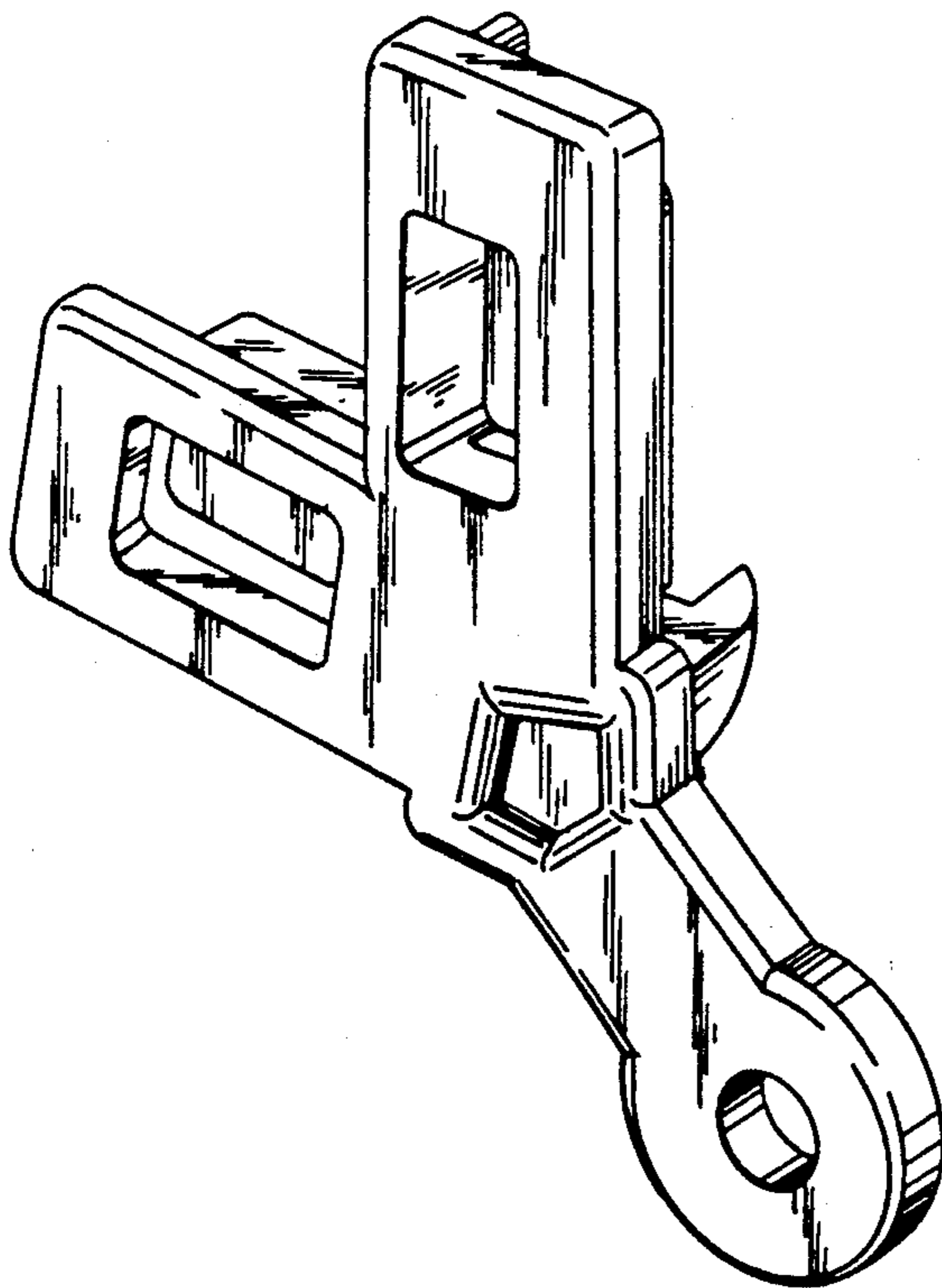
FIG. 4 is an enlarged inverted front elevational view thereof;

FIG. 5 is a rear elevational view of FIG. 4;

FIG. 6 is a side elevational view taken from the right of FIG. 4, the left side being a mirror image;

FIG. 7 is a top plan view of FIG. 5; and,

FIG. 8 is a bottom plan view of FIG. 5.



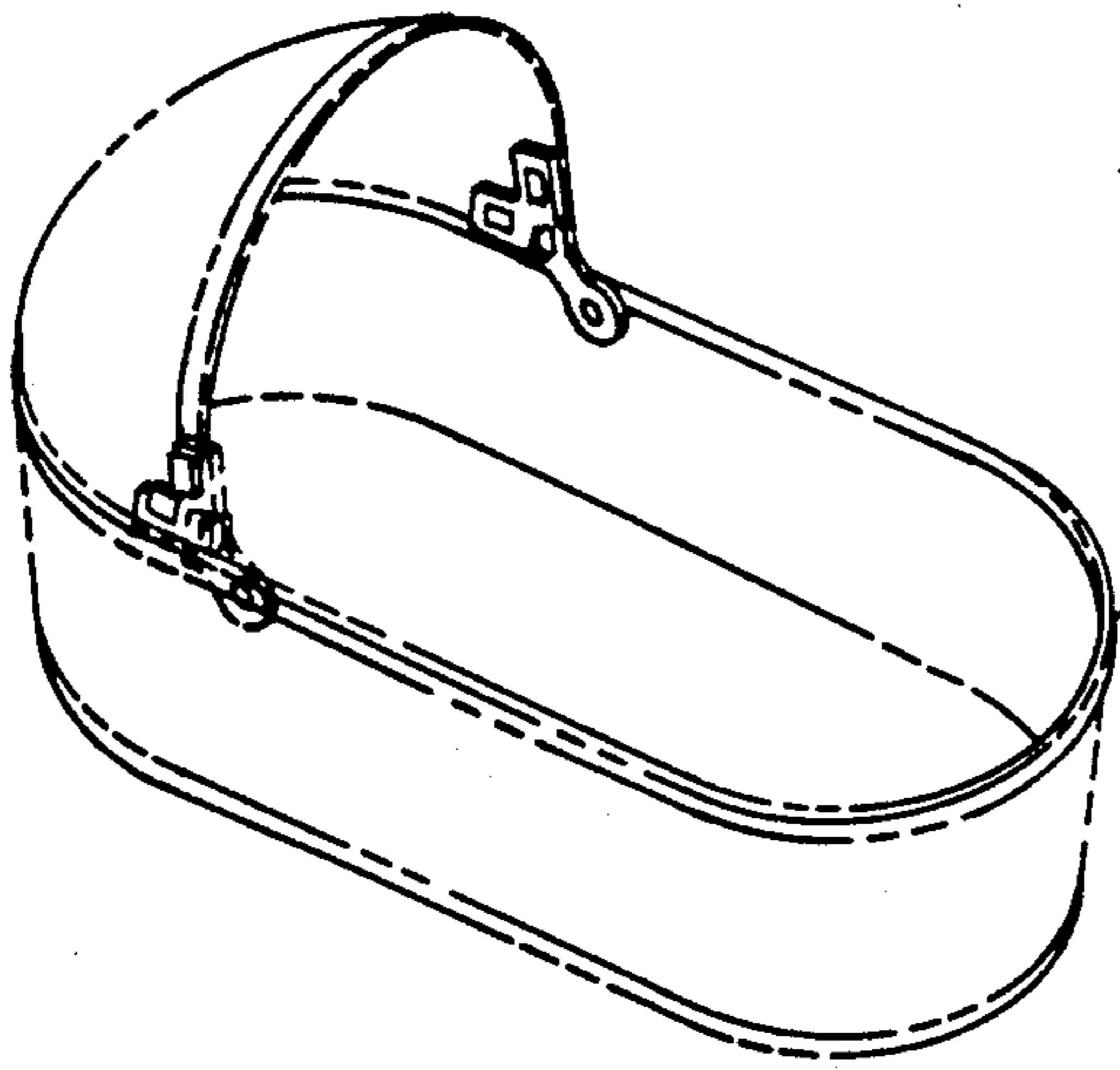


Fig. 1

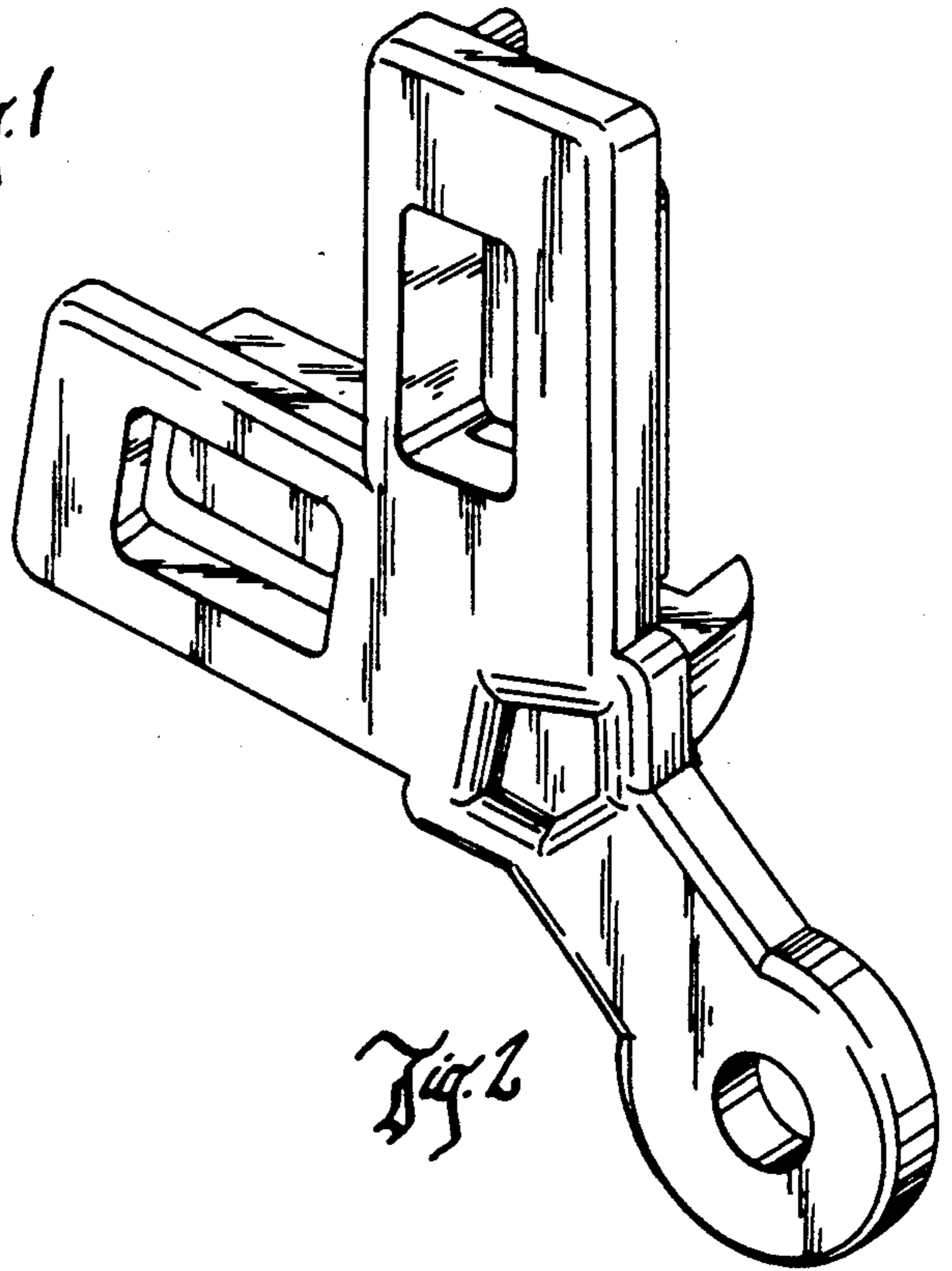


Fig. 2

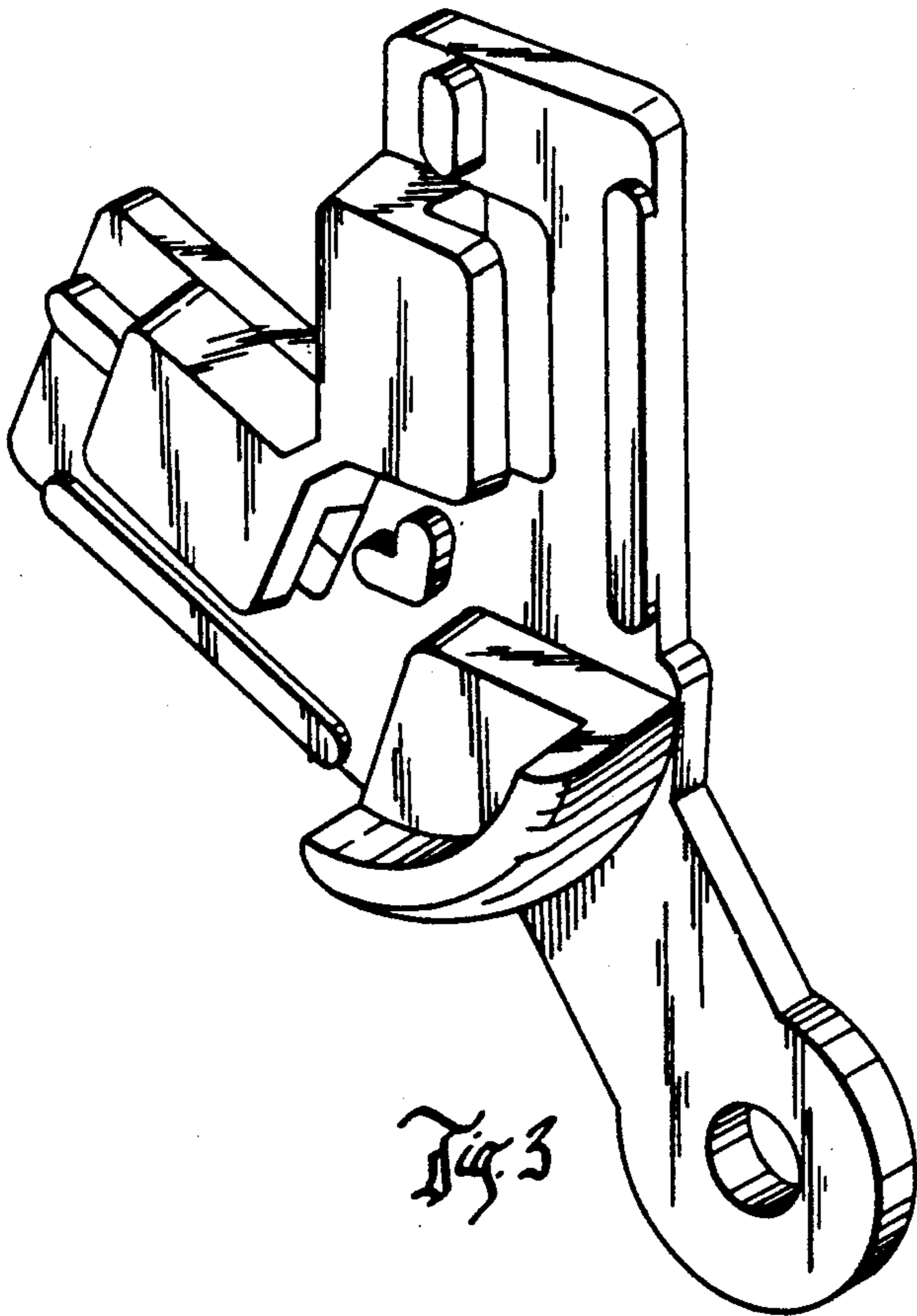


Fig. 3

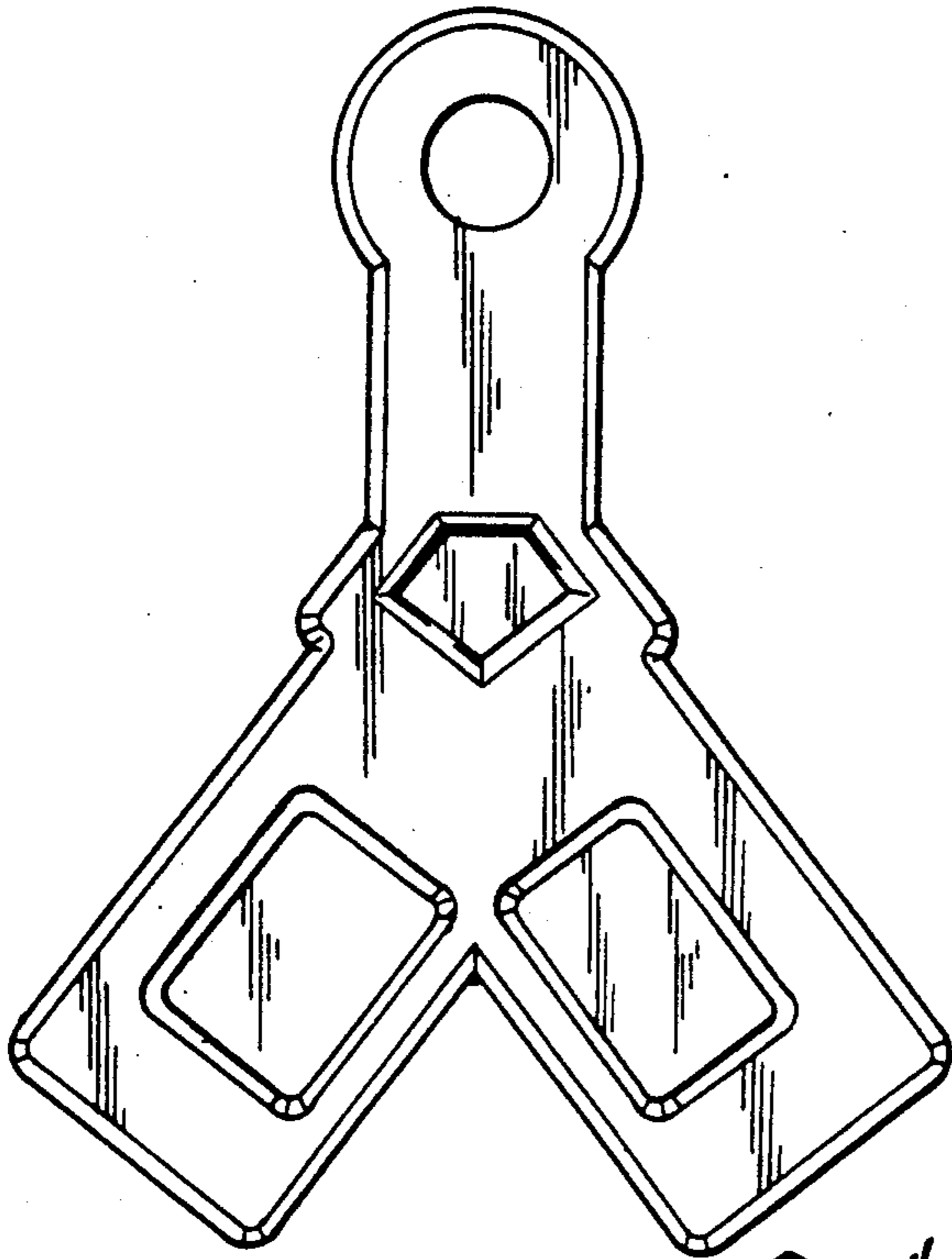


Fig. 4

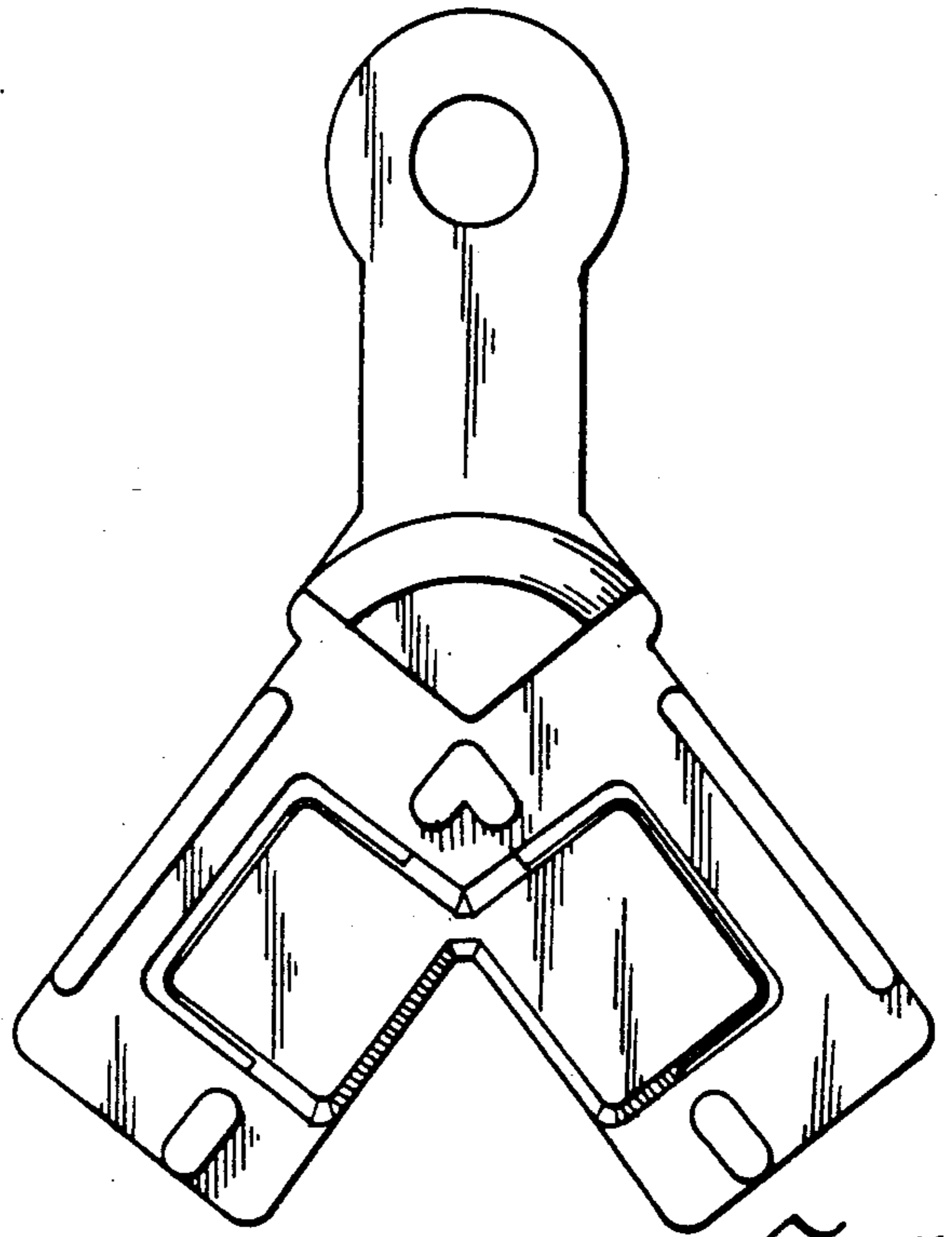


Fig. 5

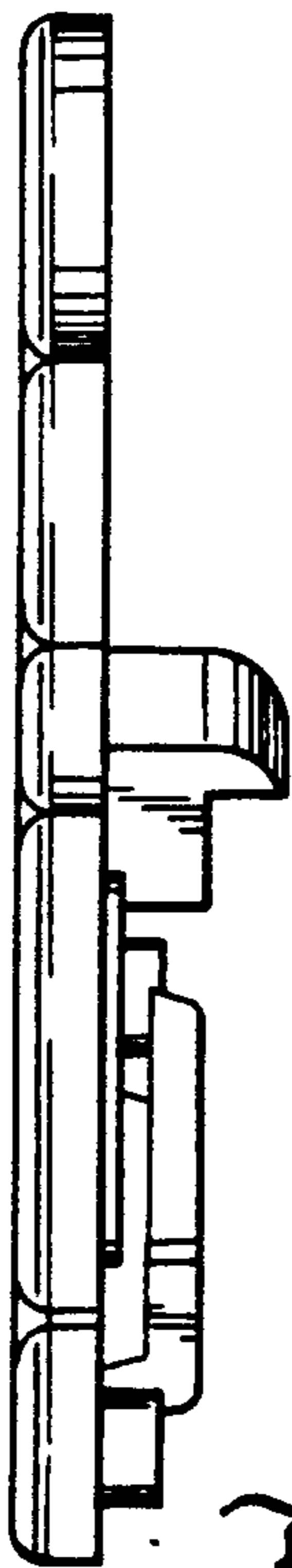


Fig. 6

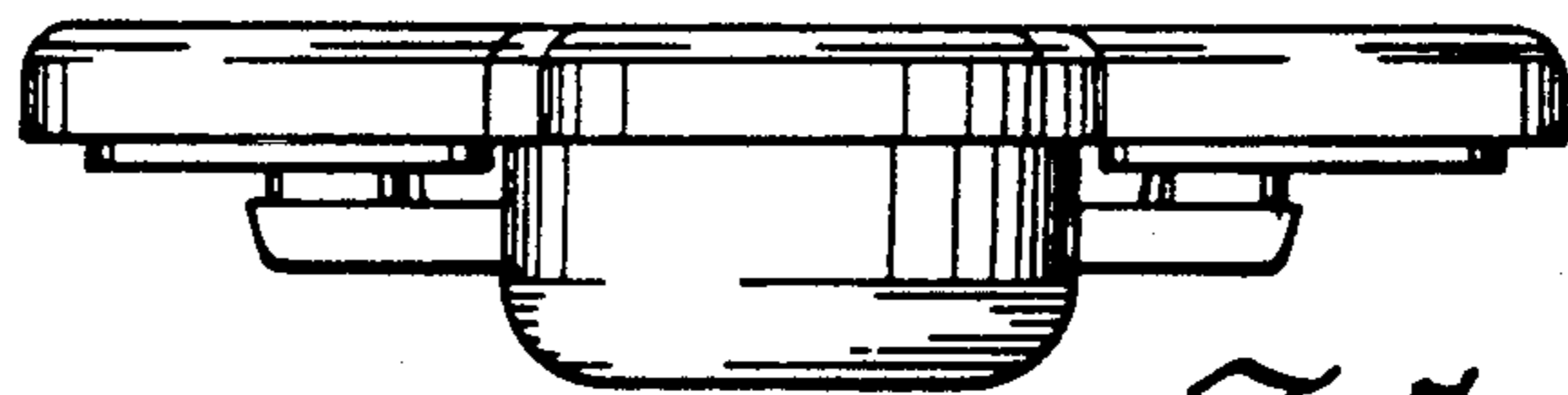


Fig. 7

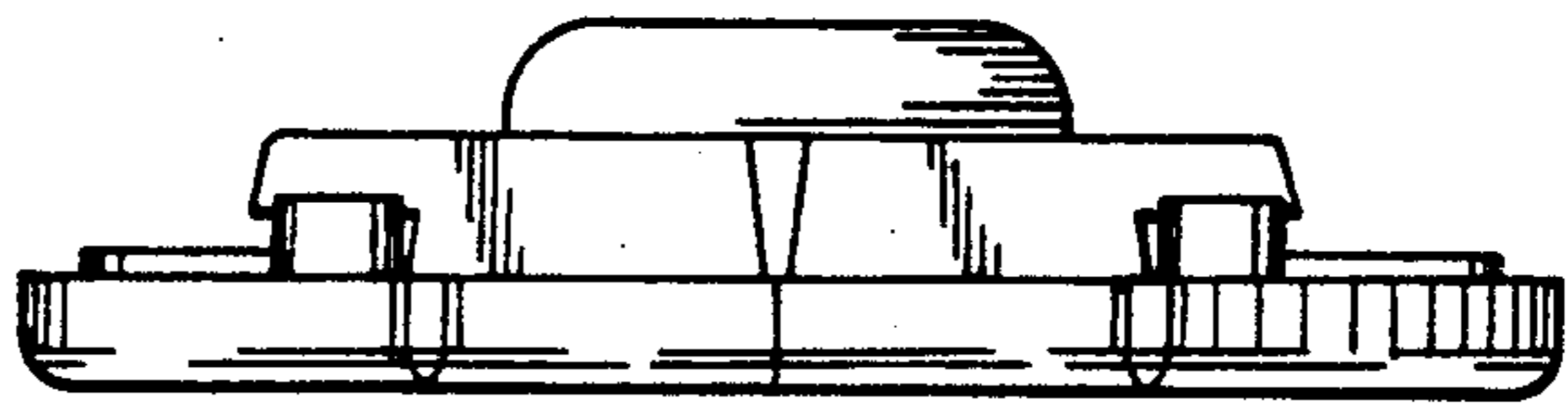


Fig. 8