



US00D336231S

# United States Patent [19]

Strom

[11] Patent Number: **Des. 336,231**

[45] Date of Patent: **\*\* Jun. 8, 1993**

[54] **TOOL FOR STRAIGHTENING WALL STUDS**

[76] Inventor: **Wade A. Strom, Rte. 2 Box A, Blue Mill Rd., Del Rio, Tenn. 37727**

[\*\*] Term: **14 Years**

[21] Appl. No.: **745,369**

[22] Filed: **Aug. 15, 1991**

[52] U.S. Cl. .... **D8/89**

[58] Field of Search ..... **D8/14, 88, 89, 21; 254/15, 16, 17; 248/121; D21/145**

[56] **References Cited**

### U.S. PATENT DOCUMENTS

D. 275,446	9/1984	McSwain	.....	D8/21
2,552,519	5/1951	Clair	.....	254/17
2,585,013	2/1952	Johnson	.....	254/17
2,718,374	9/1955	Kellenbarger	.....	254/17
2,956,777	10/1960	Ames	.....	254/17
3,101,704	8/1963	McCormick	.....	D21/145
3,561,122	2/1971	Beckwell	.....	33/471

4,621,791	11/1986	Staskiewicz et al.	.....	254/17
4,744,152	5/1988	Roach	.....	33/471
4,866,853	9/1989	Braden	.....	33/471

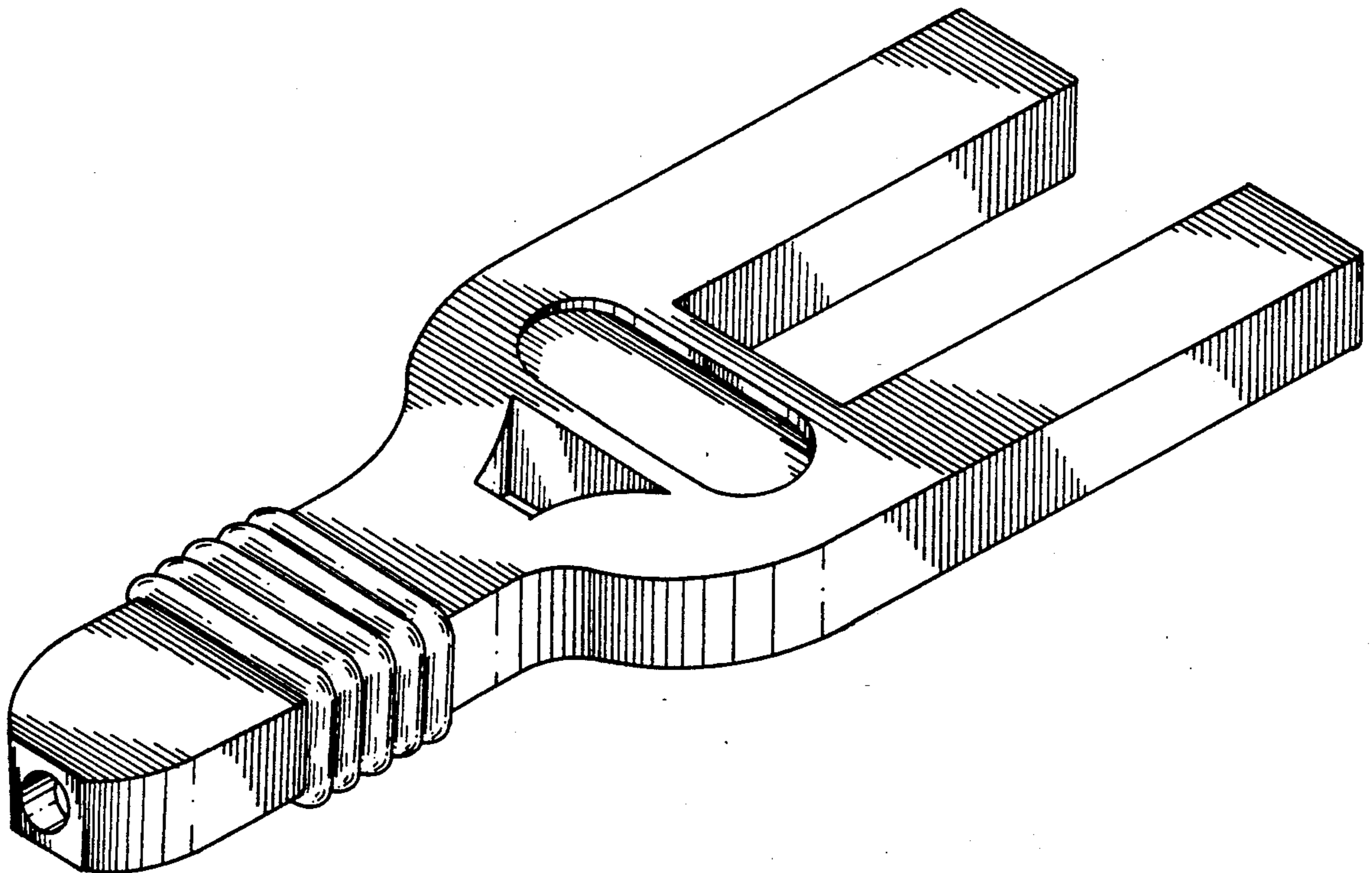
*Primary Examiner*—Bernard Ansher  
*Assistant Examiner*—Philip Hyder  
*Attorney, Agent, or Firm*—Terry M. Gernstein

### [57] CLAIM

The ornamental design for a tool for straightening wall studs, as shown and described.

### DESCRIPTION

FIG. 1 is a perspective view of the tool for straightening wall studs embodying the design of the present invention;  
FIG. 2 is a front elevational view thereof, the rear being a mirror image of the front shown in FIG. 2;  
FIG. 3 is a side elevational view thereof, the side opposite being a mirror image of the side shown in FIG. 3;  
FIG. 4 is a top plan view thereof; and,  
FIG. 5 is a bottom view thereof.



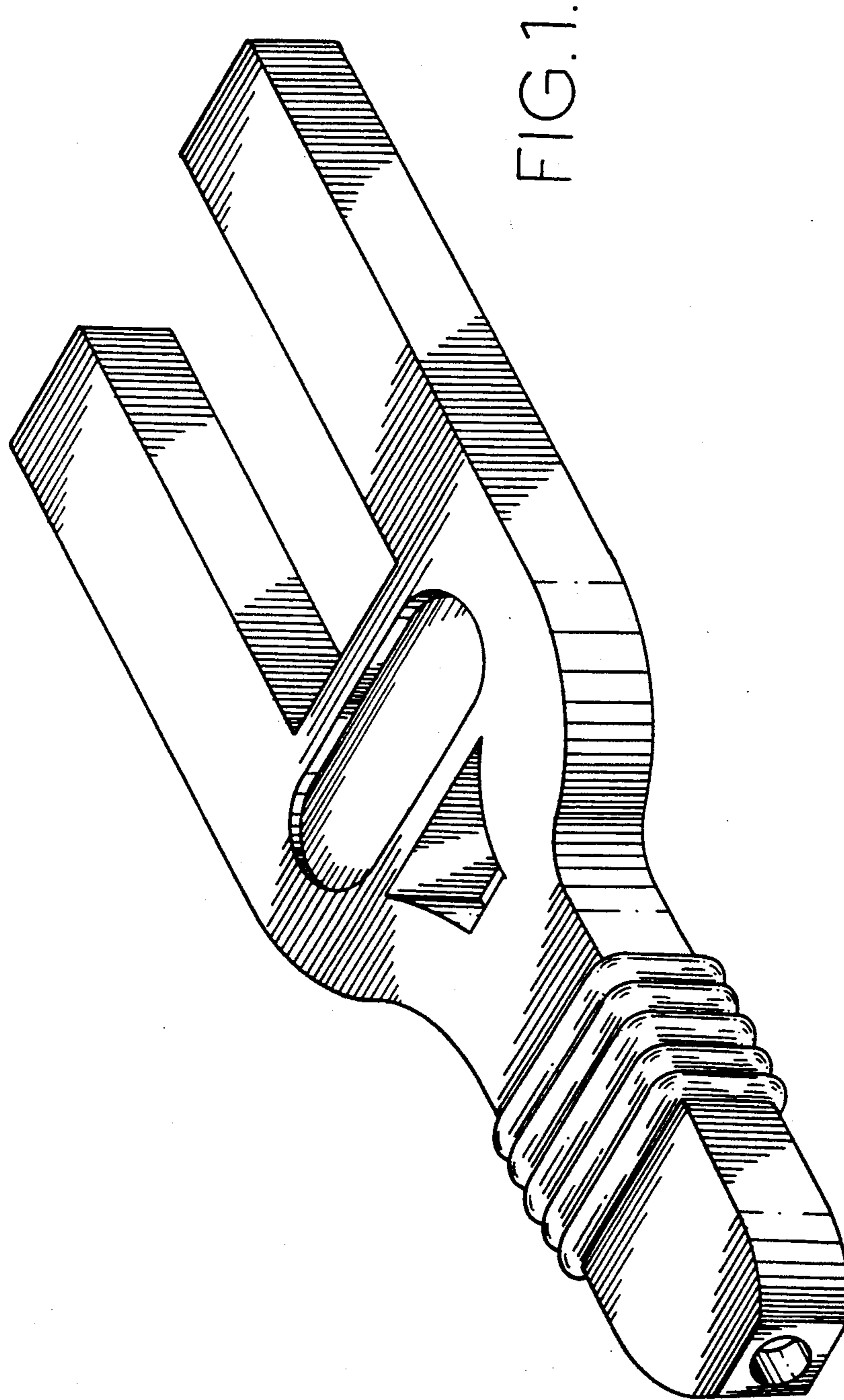


FIG. 1.

FIG. 2.

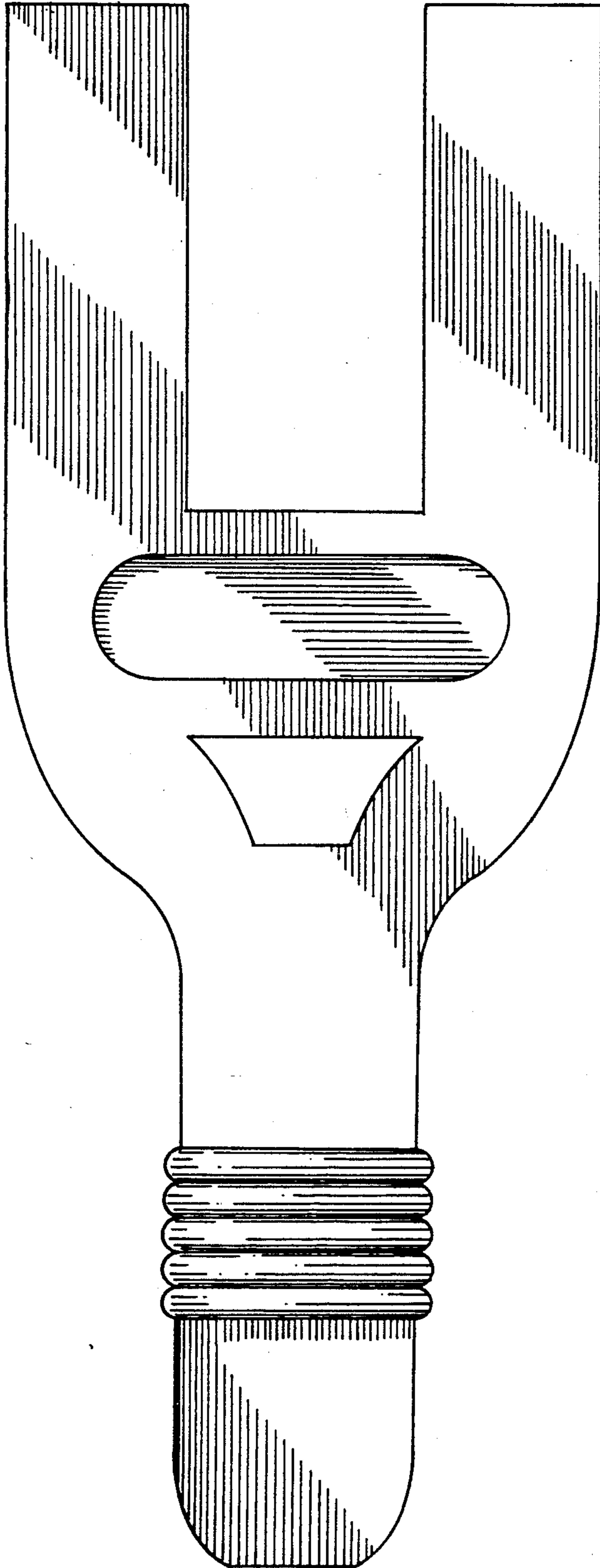
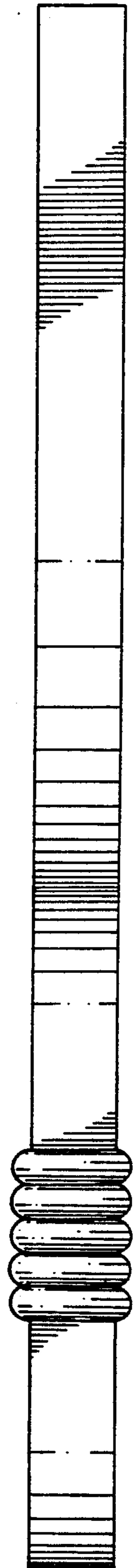


FIG. 3.



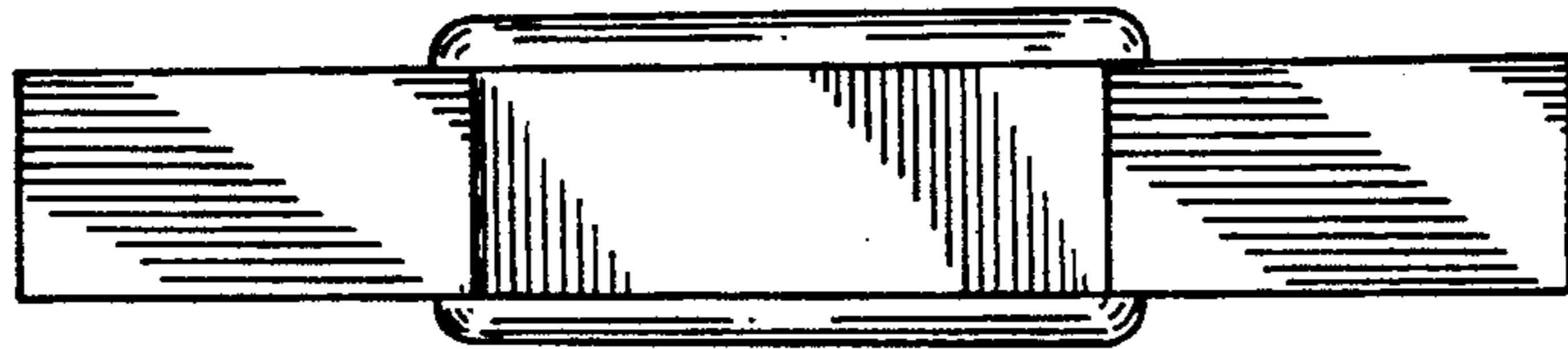


FIG. 4.

FIG. 5

