



US00D336220S

United States Patent [19]

[11] Patent Number: **Des. 336,220**

Grimes

[45] Date of Patent: **** Jun. 8, 1993**

[54] **INTERLOCKING LAWN AND GARDEN BED EDGING**

4,934,093 1/1990 Yanna 47/33
4,976,063 12/1990 Young 47/33

[76] Inventor: **Gerald A. Grimes, 1223 Westridge Rd., Duncanville, Tex. 75116**

Primary Examiner—Wallace R. Burke
Assistant Examiner—H. Baynham
Attorney, Agent, or Firm—Timmons & Kelly

[**] Term: **14 Years**

[57] **CLAIM**

[21] Appl. No.: **673,501**

The ornamental design for the interlocking lawn and garden bed edging, as shown.

[22] Filed: **Mar. 22, 1991**

[52] U.S. Cl. **D8/1**

DESCRIPTION

[58] Field of Search **D8/1; 47/33, 47**

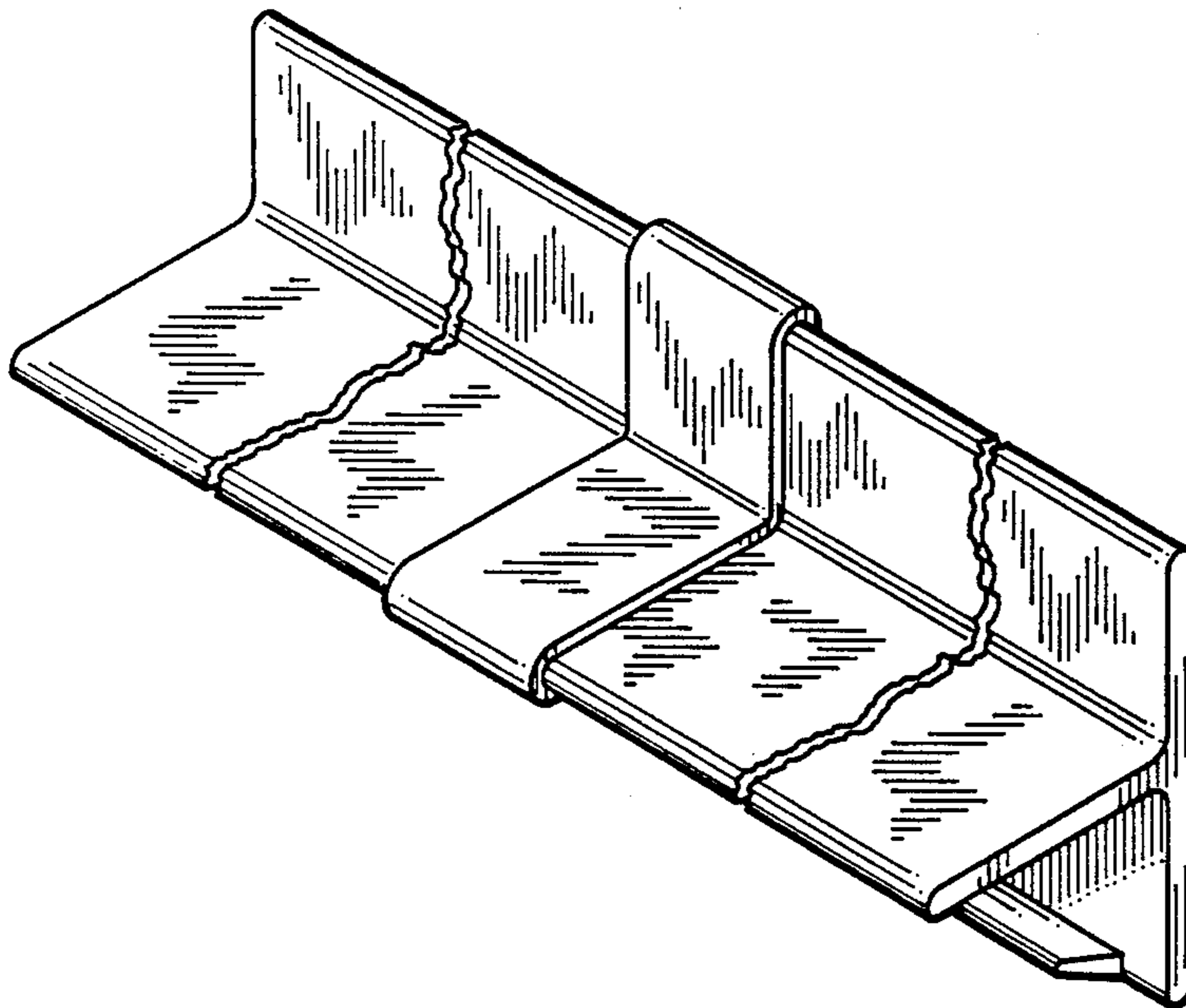
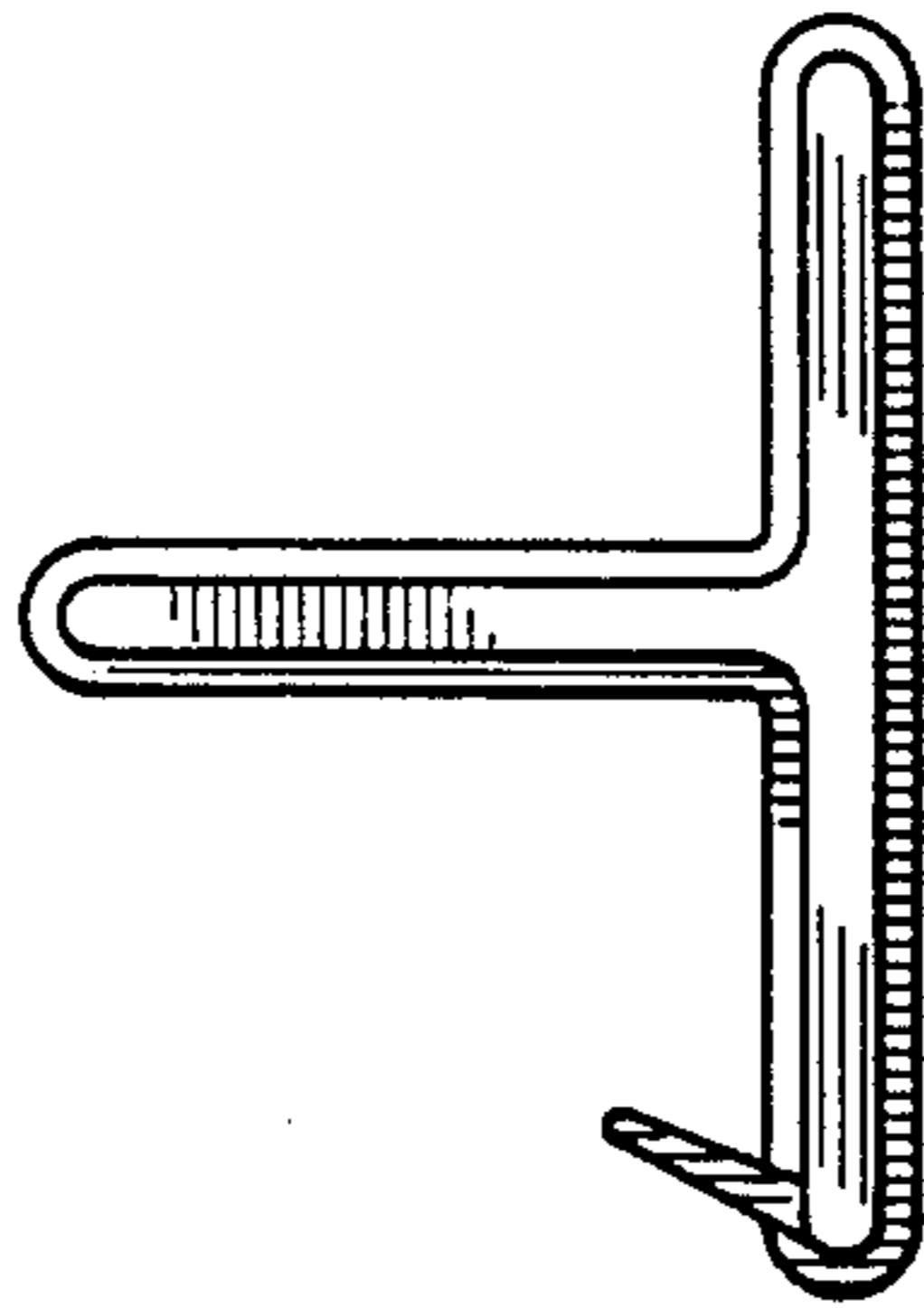
FIG. 1 is a perspective view of an interlocking lawn and garden bed edging showing my new design; FIG. 2 is a front elevation thereof; FIG. 3 is a rear elevation thereof; FIG. 4 is a side elevation thereof, with the opposite side being a mirror image thereof; FIG. 5 is a top plan view thereof; FIG. 6 is a bottom plan view thereof; and, FIG. 7 is a perspective view of the connecting piece detached from the edging.

[56] **References Cited**

U.S. PATENT DOCUMENTS

2,744,357	5/1956	Foote	47/33
4,321,769	3/1982	Tisbo et al.	47/33
4,644,685	2/1987	Tisbo et al.	47/33
4,663,883	5/1987	Hilliard et al.	47/33
4,702,034	10/1987	Ferguson et al.	47/33
4,809,459	3/1989	Brylla et al.	47/33
4,831,776	5/1989	Fritch	47/33
4,858,379	8/1989	West	47/33

The claimed design is shown broken away to indicate indeterminate length.



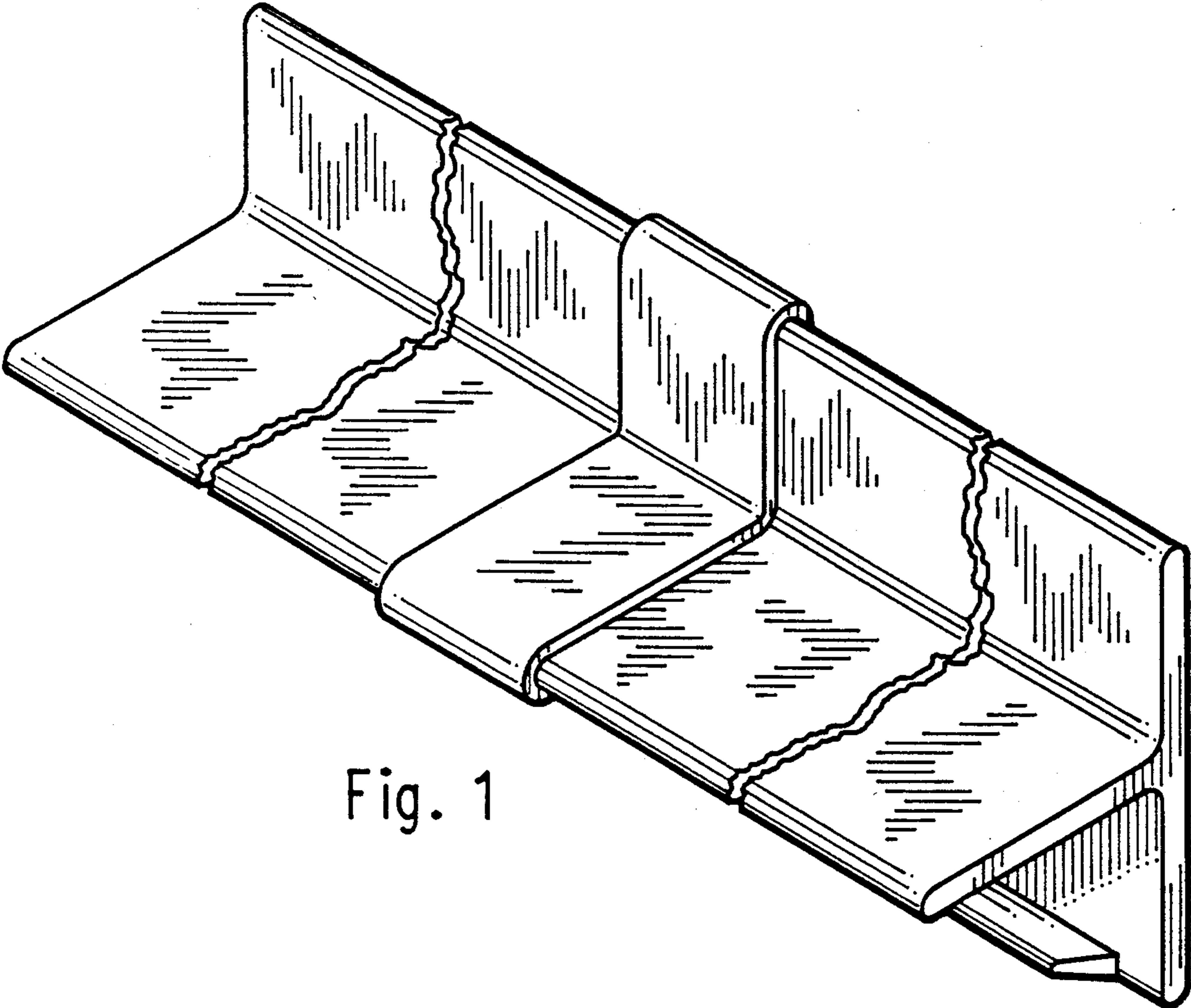


Fig. 1

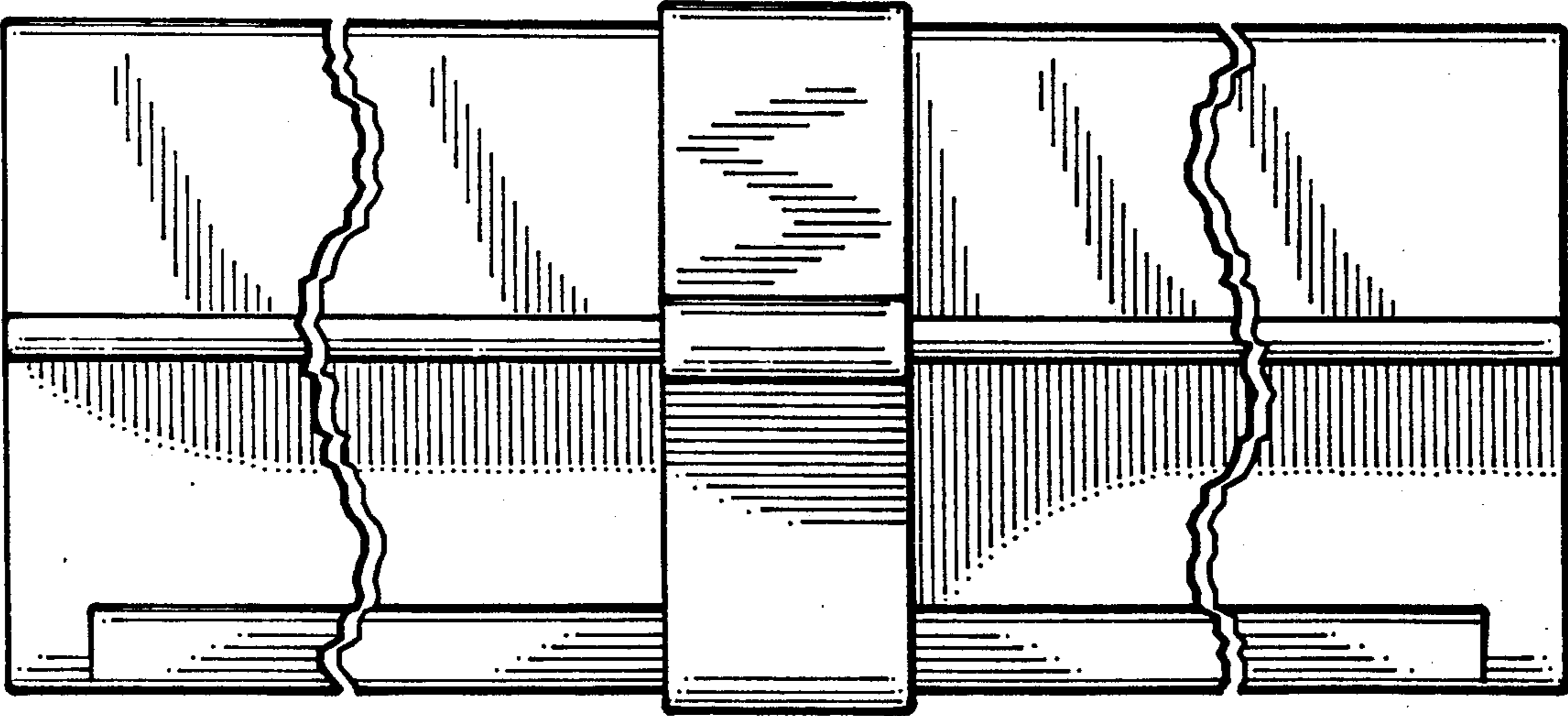


Fig. 2

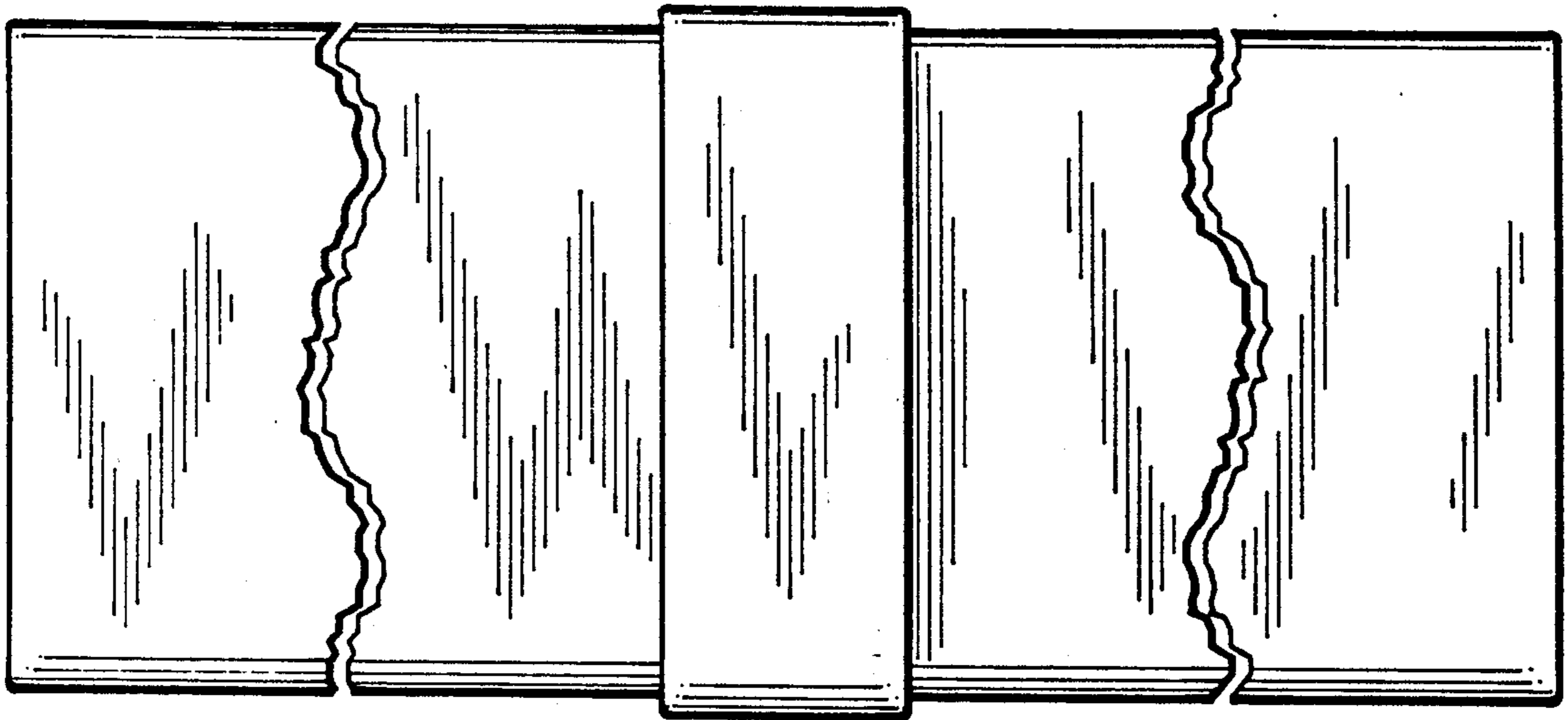


Fig. 3

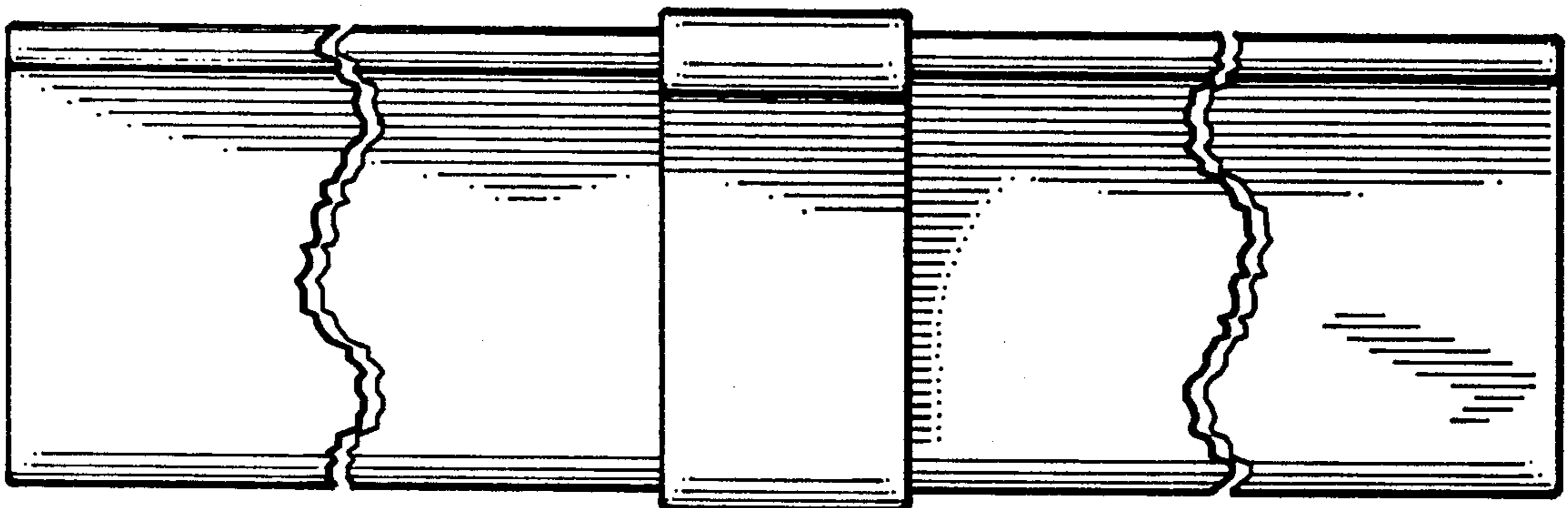


Fig. 5

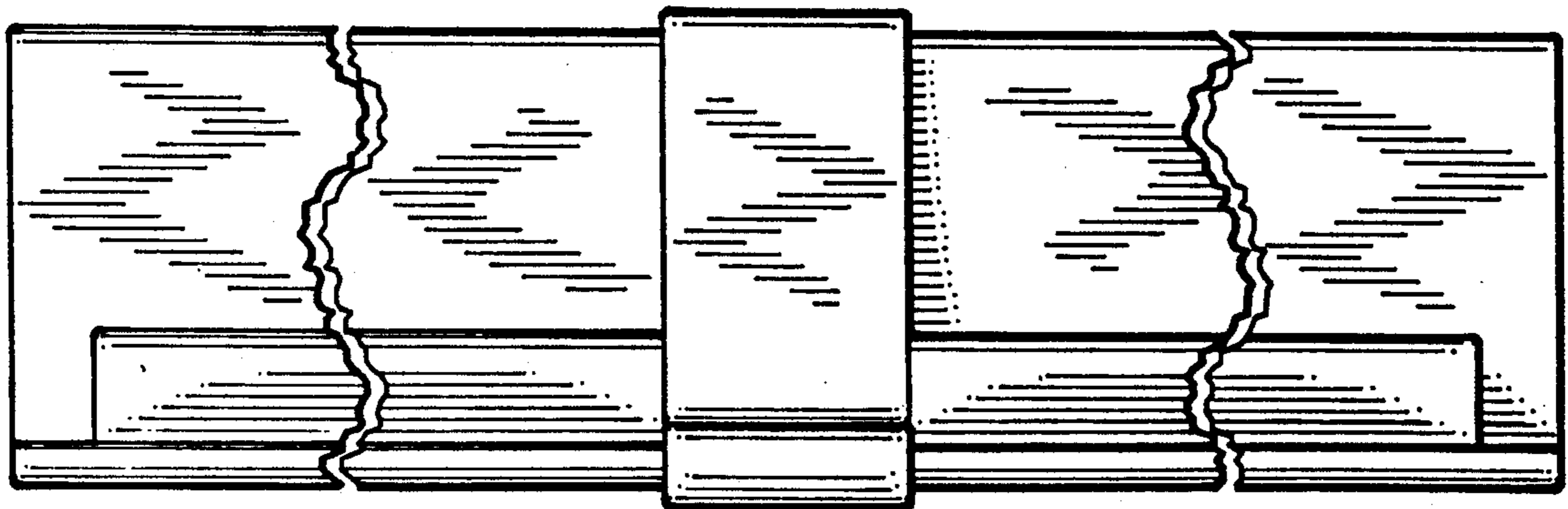


Fig. 6

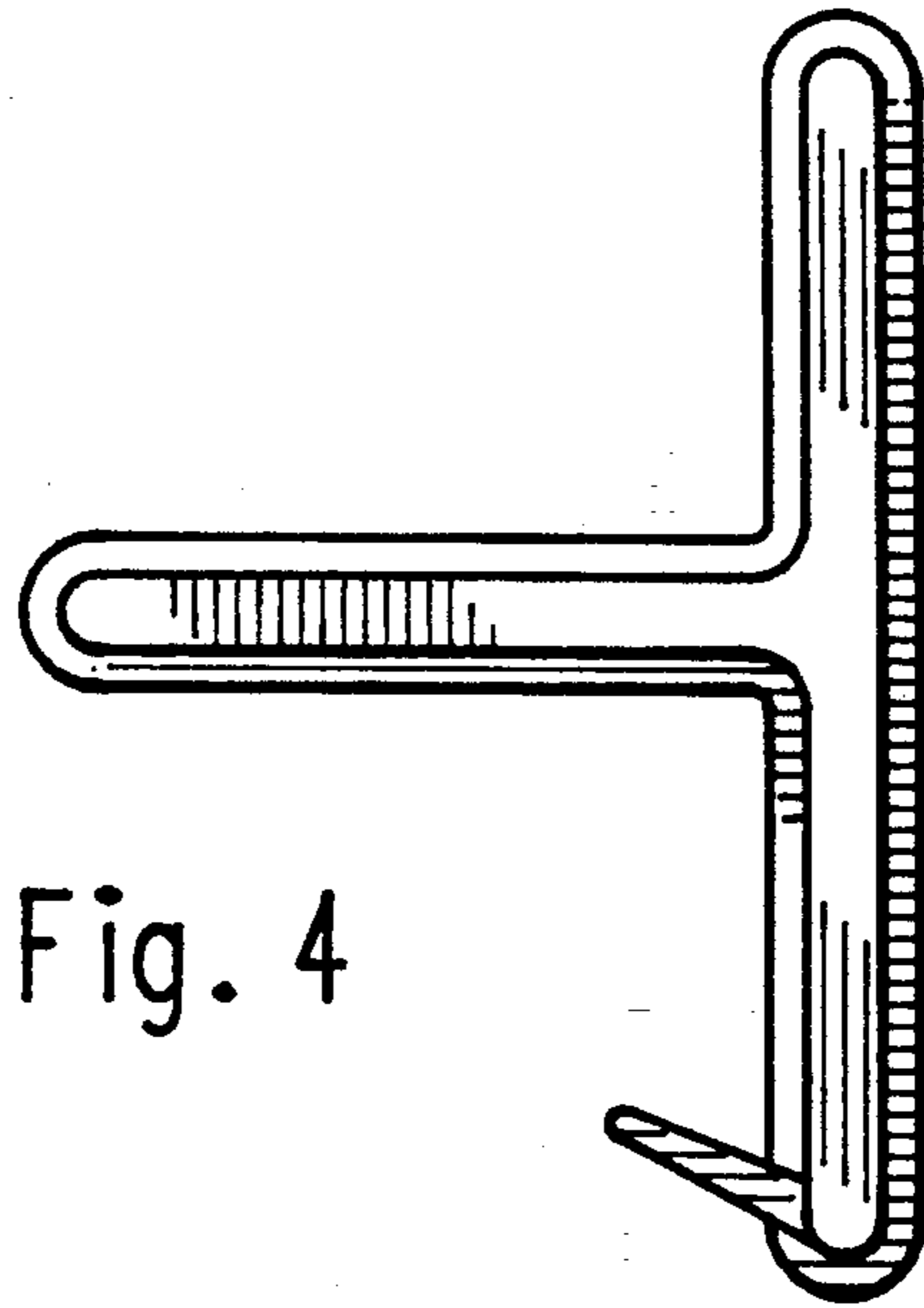


Fig. 4

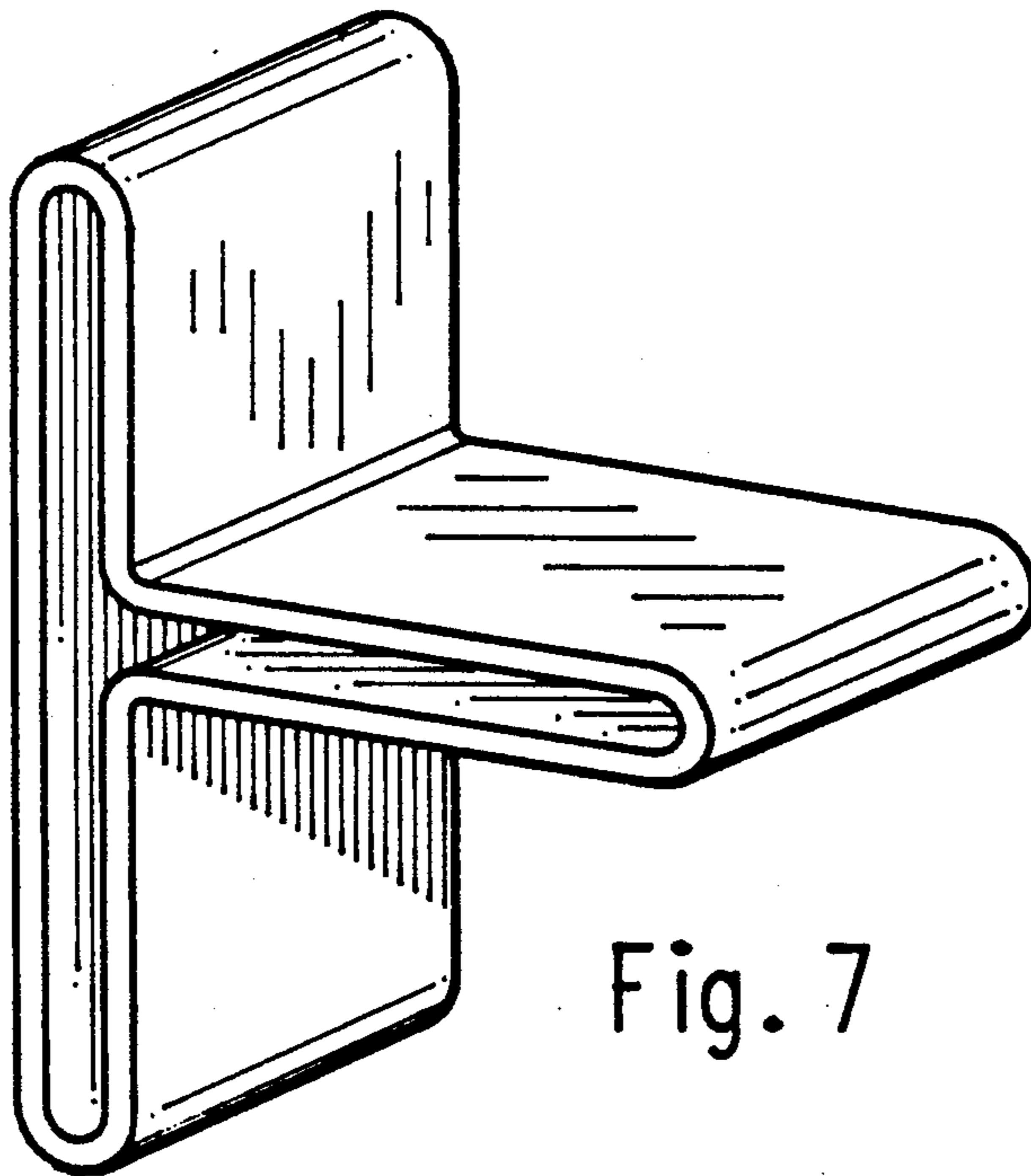


Fig. 7