



US00D336214S

United States Patent [19]

[11] Patent Number: **Des. 336,214**

Boerner

[45] Date of Patent: **** Jun. 8, 1993**

[54] **FOOD SLICER**

D. 268,562 4/1983 Bright D7/381
4,212,431 7/1980 Doyel D7/412 X

[75] Inventor: **Alfred Boerner**, Niederkail, Fed. Rep. of Germany

OTHER PUBLICATIONS

[73] Assignee: **A. Boerner GmbH**, Fed. Rep. of Germany

Williams-Sonoma; Fall/Winter catalog 1976; p. 40; #B Food Slicer middle of page.
Hong Kong Household; Dec. 1984; p. 56; "Multi-Wonder" Cutter bottom of page.

[**] Term: **14 Years**

Primary Examiner—Alan P. Douglas
Assistant Examiner—Caron D. Veynar
Attorney, Agent, or Firm—Hill, Steadman & Simpson

[21] Appl. No.: **444,618**

[22] Filed: **Dec. 1, 1989**

[30] Foreign Application Priority Data

Jun. 7, 1989 [DE] Fed. Rep. of Germany M89 04 006.6

[57] CLAIM

The ornamental design for a food slicer, as shown.

[52] U.S. Cl. **D7/381; D7/368**

DESCRIPTION

[58] Field of Search **D7/381, 412, 368; 83/144, 425, 644, 846, 932**

FIG. 1 is a right, front and top perspective view of a food slicer showing my new design;
FIG. 2 is a rear elevational view;
FIG. 3 is a front elevational view;
FIG. 4 is a right side elevational view;
FIG. 5 is a top plan view; and,
FIG. 6 is a bottom plan view.

[56] References Cited

U.S. PATENT DOCUMENTS

D. 148,703 2/1948 Ingram et al. D7/381
D. 249,044 8/1978 Popeil D7/381

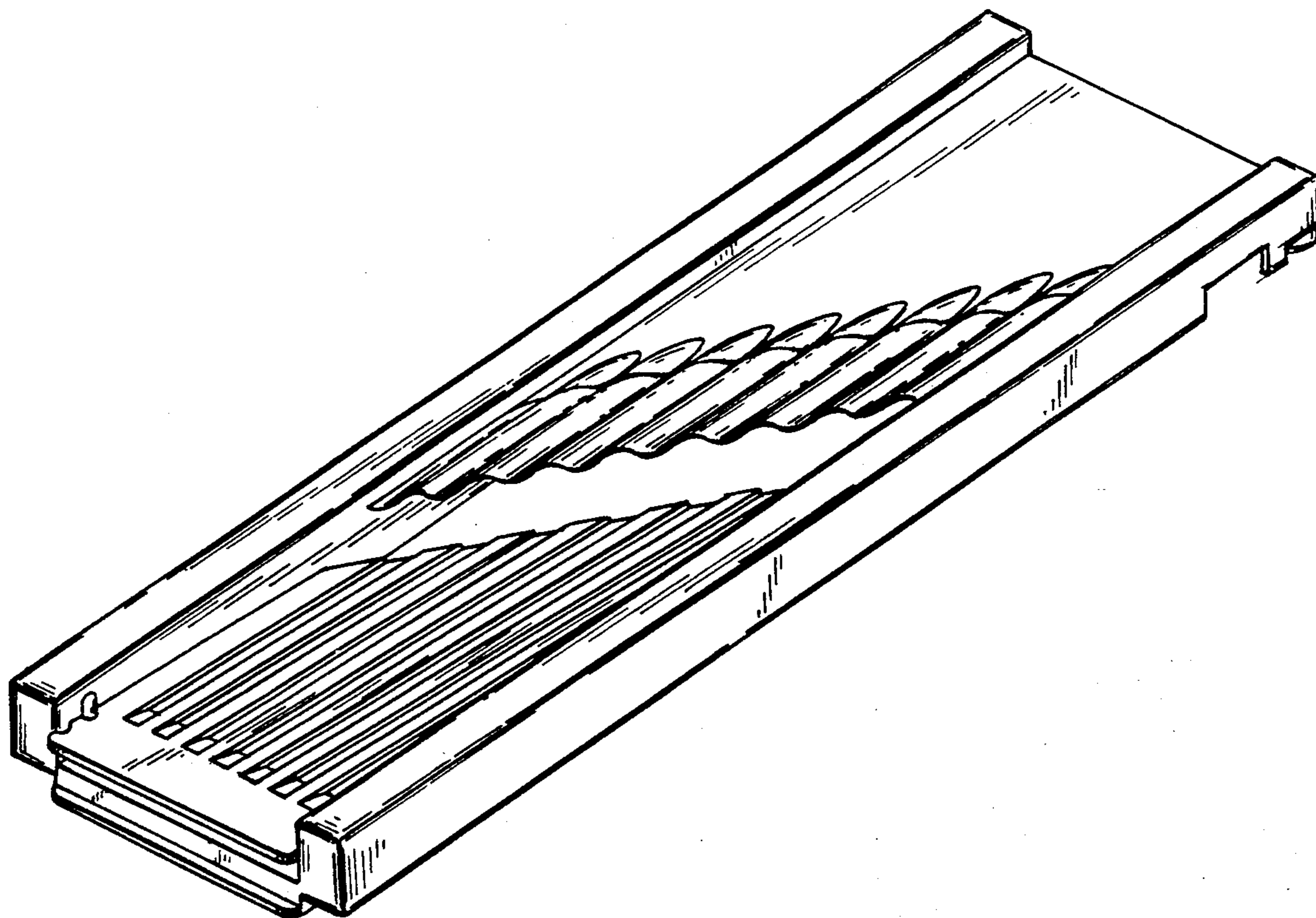


FIG. 1

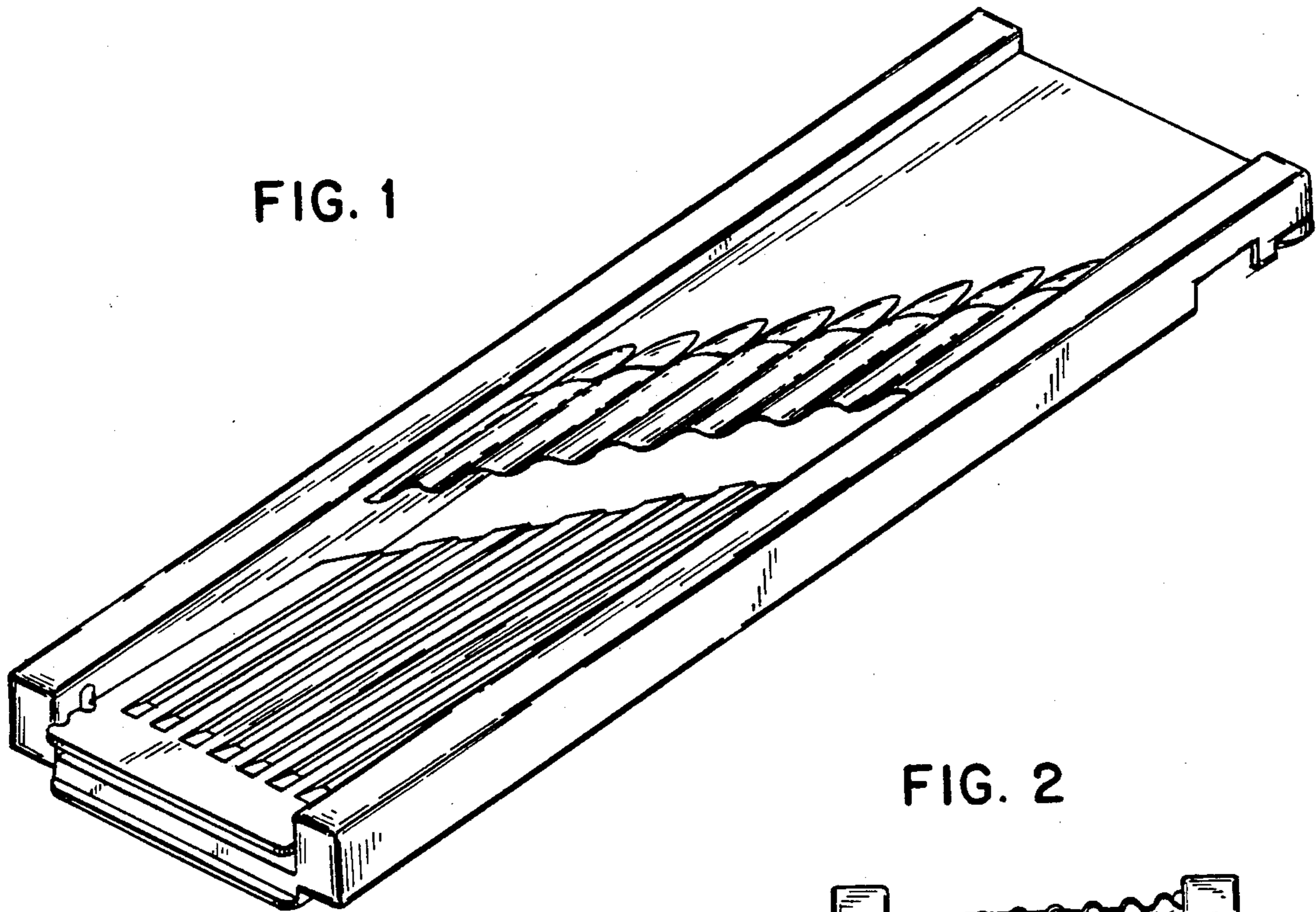


FIG. 2



FIG. 3



FIG. 4

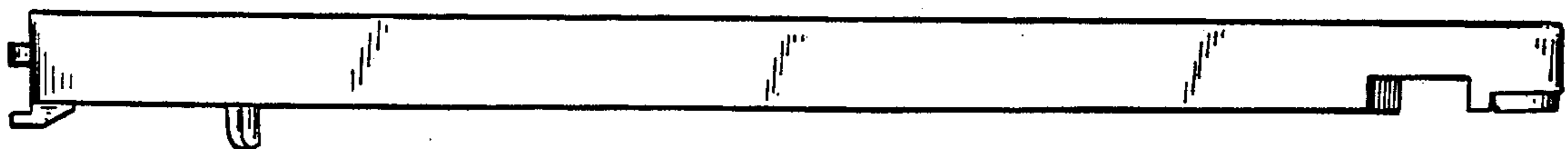


FIG. 5

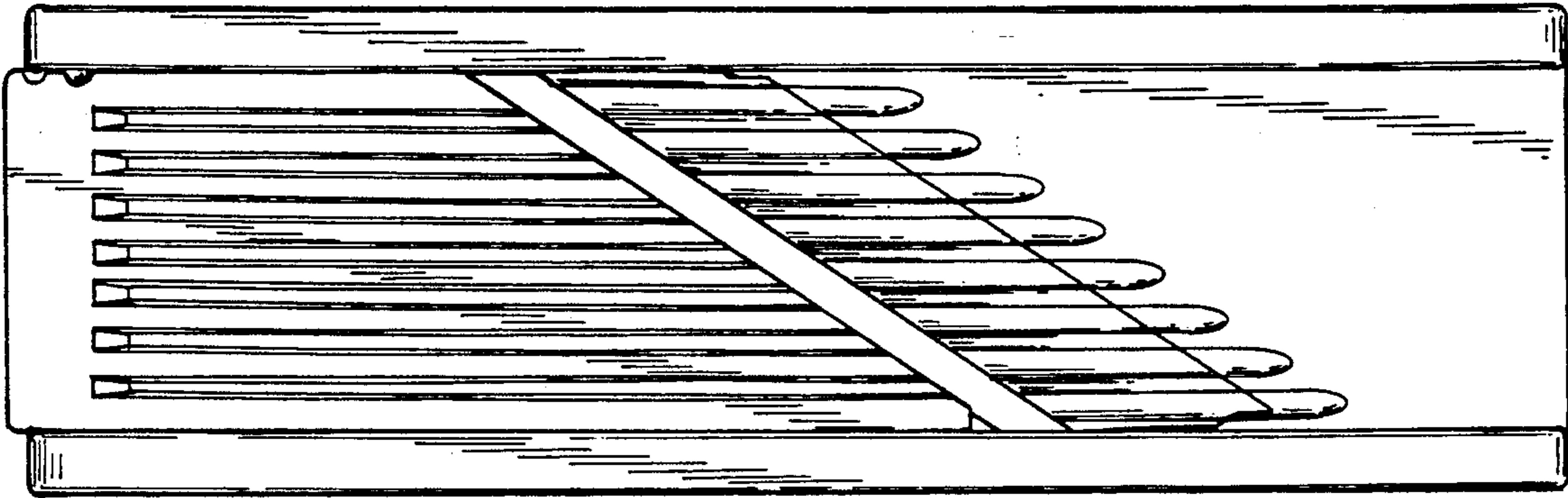


FIG. 6

