



US00D336207S

United States Patent [19]
Brookshire

[11] **Patent Number: Des. 336,207**

[45] **Date of Patent: ** Jun. 8, 1993**

[54] **COFFEE MAKER**

D. 313,725 1/1991 Beeren D7/309

[75] **Inventor: Phillip L. Brookshire, Cincinnati, Ohio**

OTHER PUBLICATIONS

A collection of coffee maker advertisements—Mr. Coffee, Melitta, Sunbeam, and SHG.

[73] **Assignee: Hamilton Beach/Proctor-Silex, Inc., Glen Allen, Va.**

Primary Examiner—Alan P. Douglas
Assistant Examiner—Caron D. Veynar
Attorney, Agent, or Firm—Roger S. Dybvig

[**] **Term: 14 Years**

[21] **Appl. No.: 619,337**

[57] **CLAIM**

The ornamental design for a coffee maker, as shown and described.

[22] **Filed: Nov. 28, 1990**

[52] **U.S. Cl. D7/309; D7/311**

[58] **Field of Search D7/300, 305, 309, 310, D7/311, 312; 99/279, 280, 284-286, 288-296, 306-315, 323.3**

DESCRIPTION

FIG. 1 is a top, front and left side perspective view of a coffee maker showing my new design; FIG. 2 is a front elevational view thereof; FIG. 3 is a right side elevational view thereof; FIG. 4 is a left side elevational view thereof; FIG. 5 is a rear elevational view thereof; FIG. 6 is a top plan view thereof; FIG. 7 is a bottom plan view thereof; and, FIG. 8 is a perspective view of a second embodiment of my new design of FIG. 1.

[56] **References Cited**

U.S. PATENT DOCUMENTS

D. 240,386	7/1976	Stuetzer	D7/309
D. 241,219	8/1976	Martin	D7/309
D. 255,120	5/1980	Bardeau	D7/309
D. 288,517	3/1987	Kahlcke	D7/309
D. 296,971	8/1988	Stützer	D7/309
D. 303,480	9/1989	Tsuji	D7/309
D. 304,409	11/1989	Beeren	D7/309

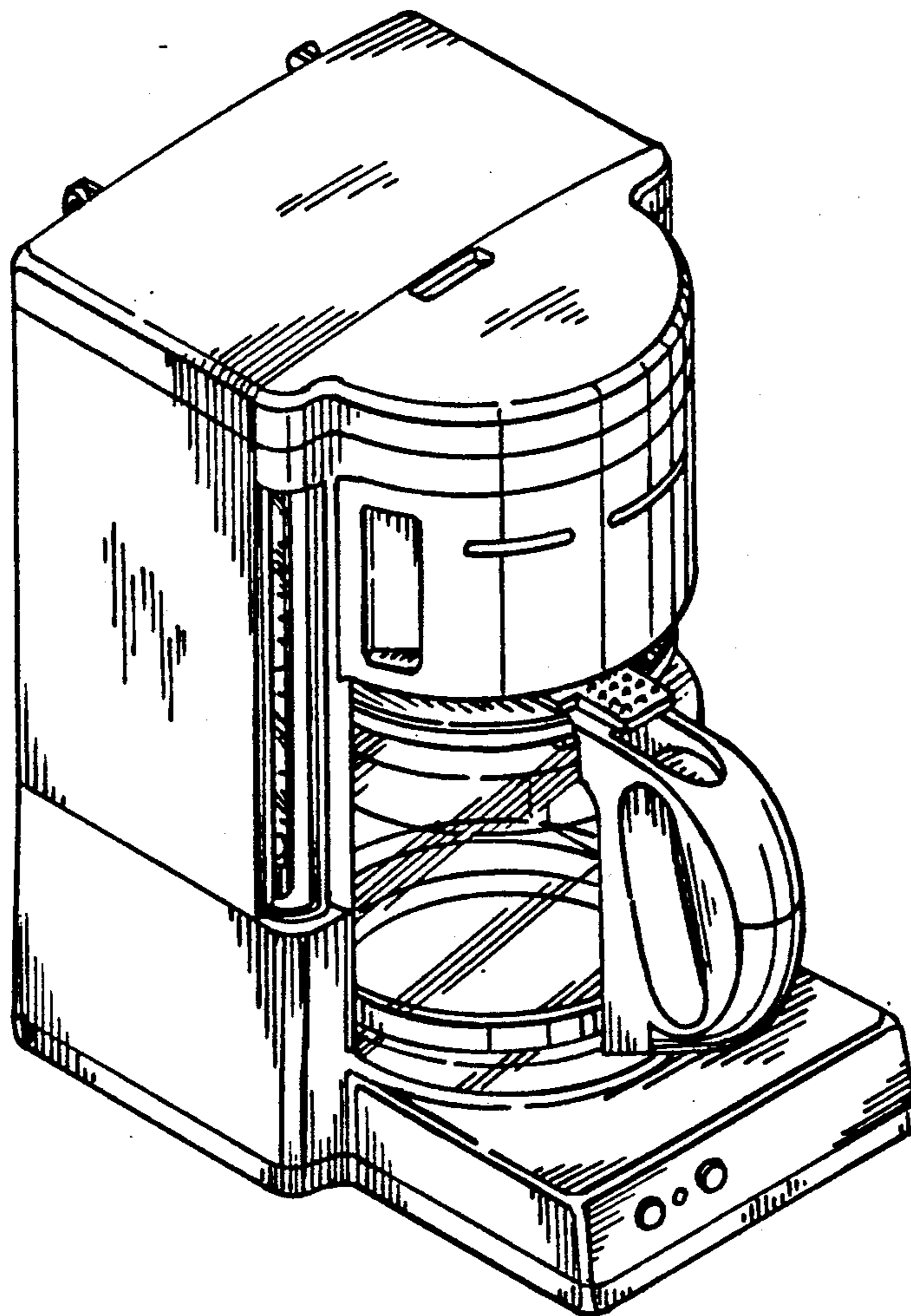


FIG-1

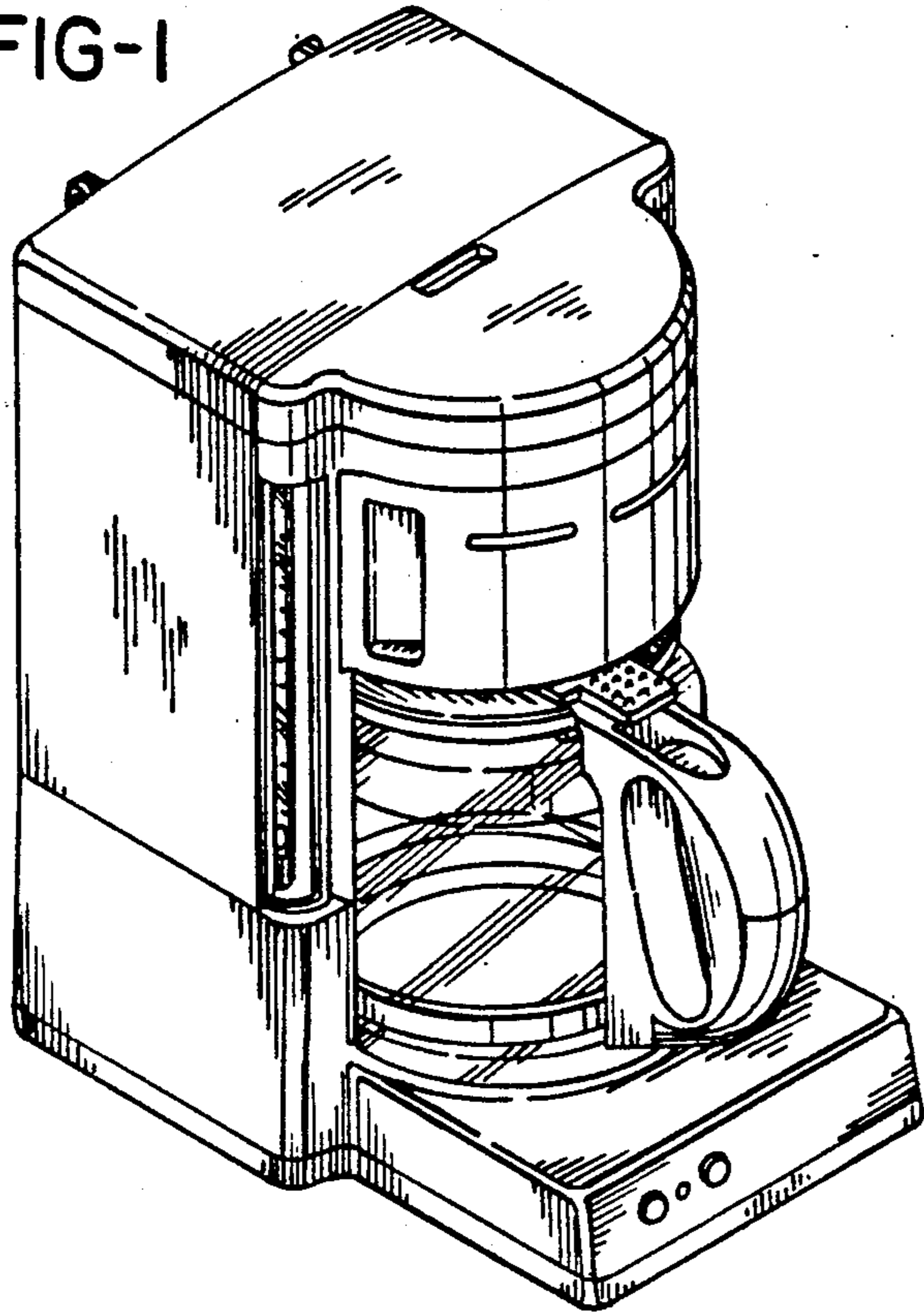


FIG-2

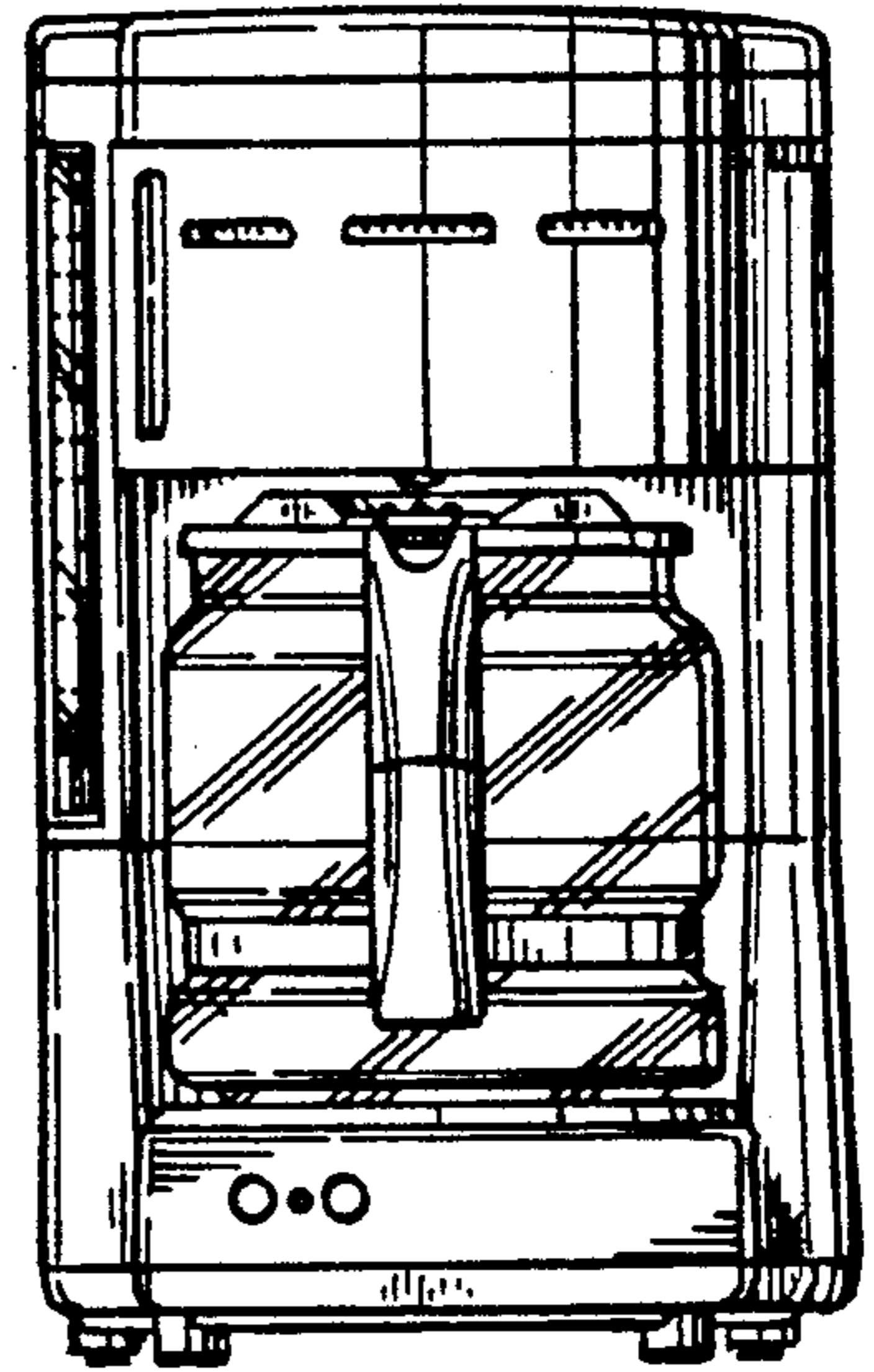


FIG-3

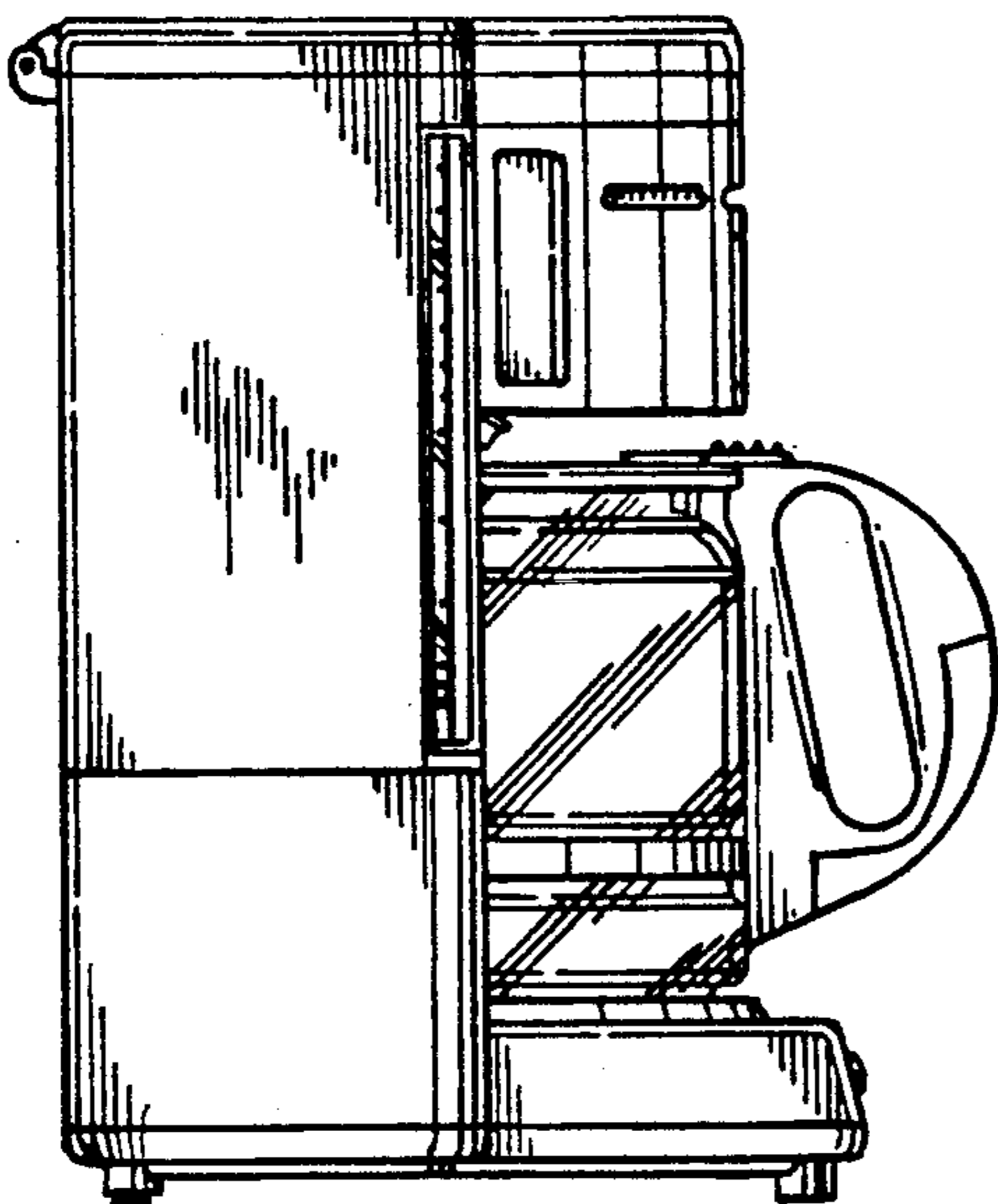


FIG-4

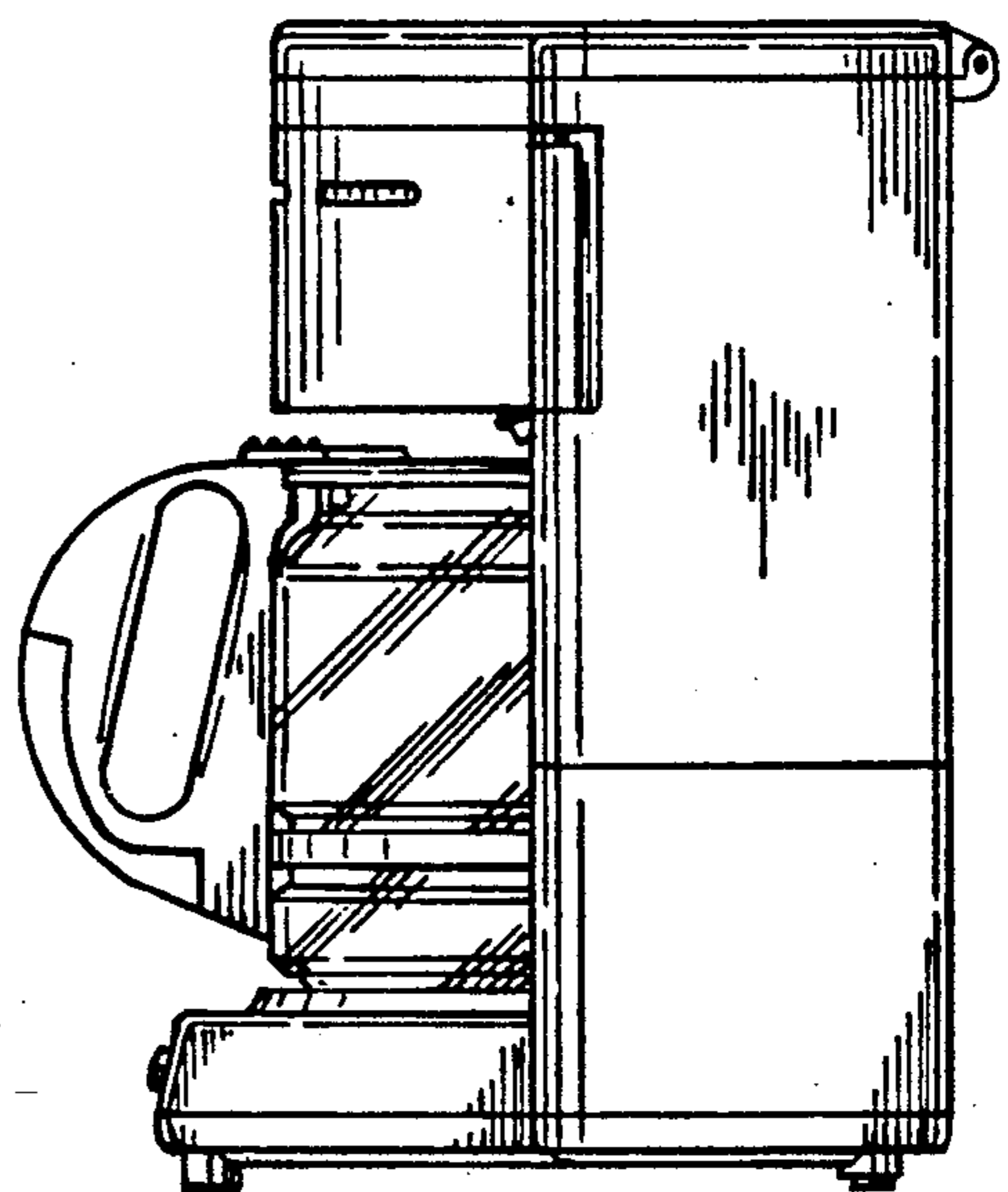


FIG-5

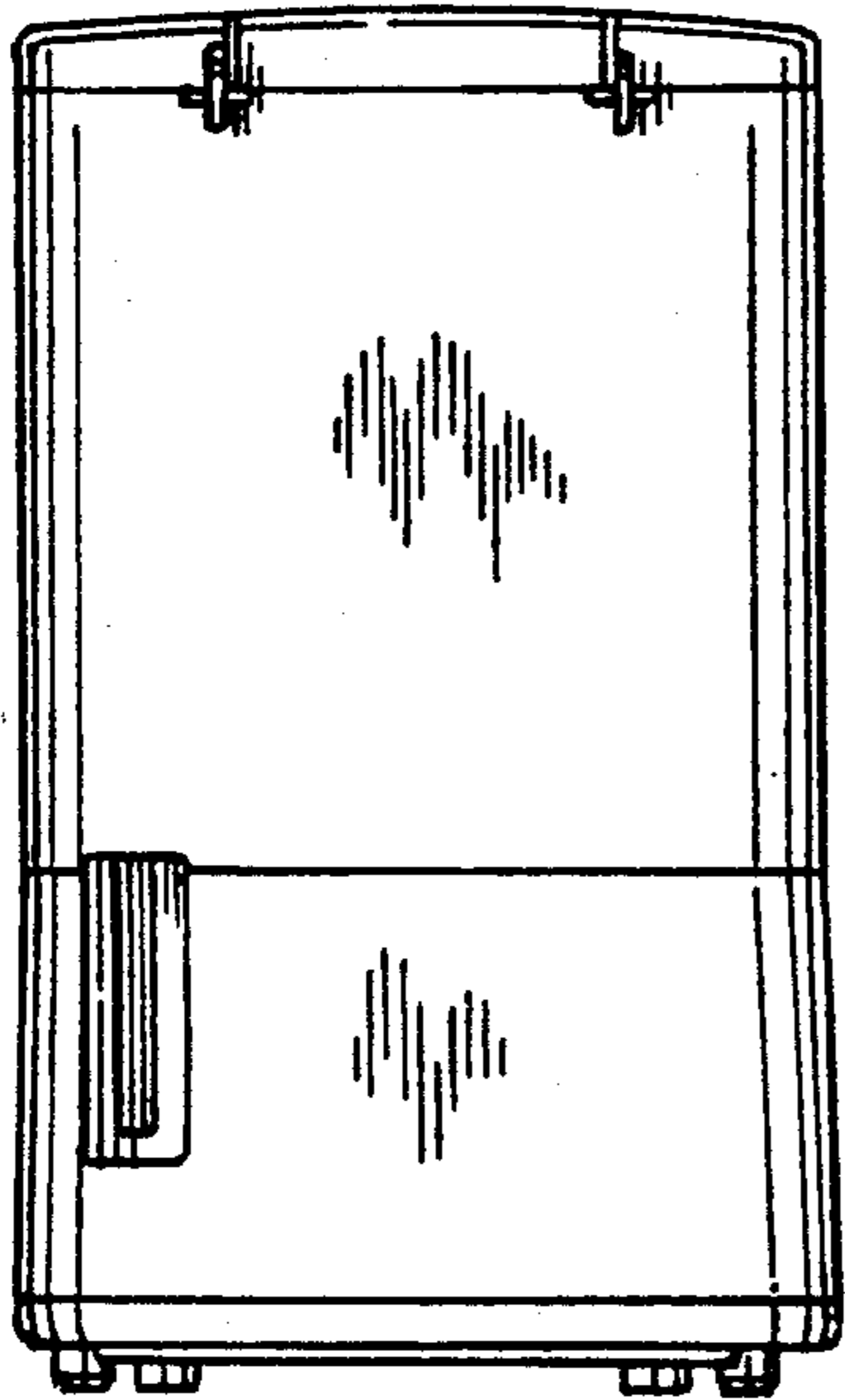


FIG-6

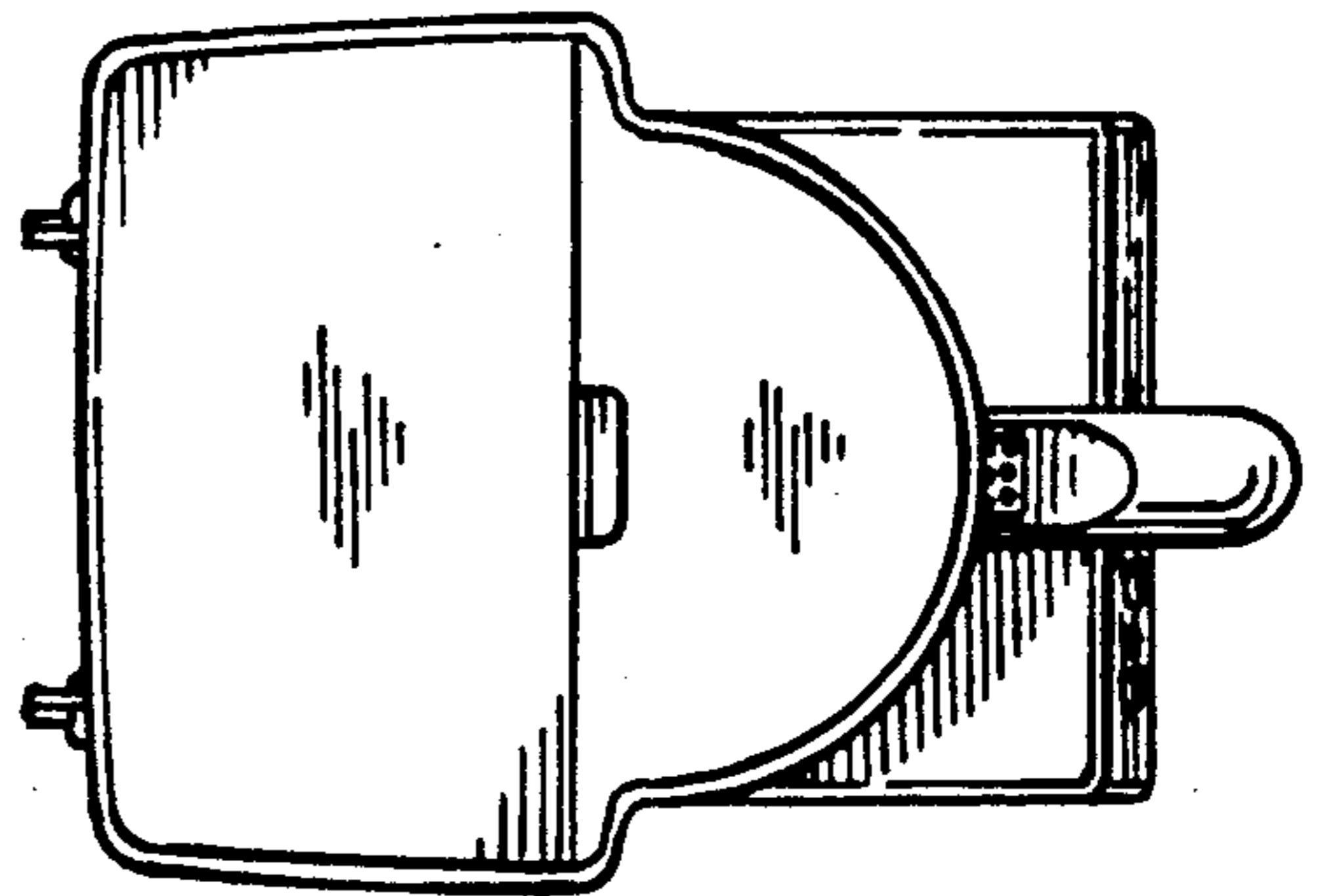


FIG-7

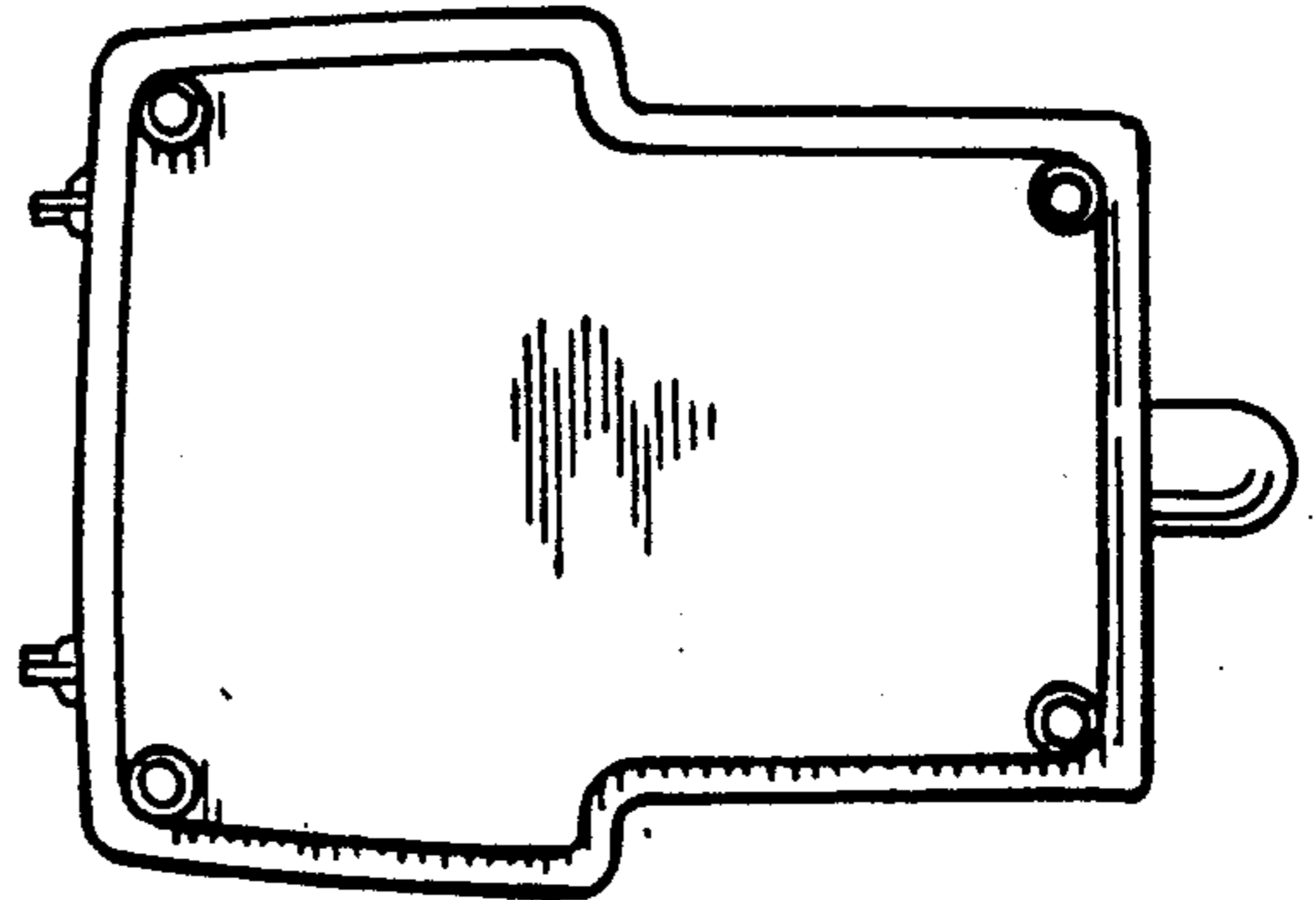


FIG-8

