



US00D336206S

United States Patent [19]

[11] Patent Number: Des. 336,206

Littmann

[45] Date of Patent: ** Jun. 8, 1993

[54] ESPRESSO MACHINE

[75] Inventor: Ludwig Littmann, Königstein/Ts.,
Fed. Rep. of Germany

[73] Assignee: Braun Aktiengesellschaft, Frankfurt,
Fed. Rep. of Germany

[**] Term: 14 Years

[21] Appl. No.: 608,179

[22] Filed: Nov. 1, 1990

[30] Foreign Application Priority Data

May 16, 1990 [DE] Fed. Rep. of Germany ... M9003414

[52] U.S. Cl. D7/309; D7/311

[58] Field of Search D7/300, 305-313;
99/279, 280, 284-286, 288-296, 306-315, 323.3

[56] References Cited

U.S. PATENT DOCUMENTS

- D. 277,538 2/1985 Jack D7/309
- D. 304,408 11/1989 Beeren D7/309
- D. 318,973 8/1991 Hasslacher D7/308
- D. 324,621 3/1992 Haslacher D7/309
- 4,852,474 8/1989 Mahlich et al. D7/309 X

FOREIGN PATENT DOCUMENTS

- 8803652 12/1988 Fed. Rep. of Germany .
- 8905541 8/1989 Fed. Rep. of Germany .

- 8907499 10/1989 Fed. Rep. of Germany .
- 013598 5/1989 PCT Int'l Appl. .
- 013605 5/1989 PCT Int'l Appl. .
- 014096 7/1989 PCT Int'l Appl. .
- 014207 7/1989 PCT Int'l Appl. .
- 016596 5/1990 PCT Int'l Appl. .
- 1058833 11/1988 United Kingdom .
- 2000554 3/1989 United Kingdom .
- 2002554 6/1989 United Kingdom .
- 2005015 9/1989 United Kingdom .

Primary Examiner—Alan P. Douglas
Assistant Examiner—Caron D. Veynar
Attorney, Agent, or Firm—Fish & Richardson

[57] CLAIM

The ornamental design for an espresso machine, as shown and described.

DESCRIPTION

FIG. 1 is a front perspective view of an espresso machine showing my new design;
FIG. 2 is a front elevational view thereof;
FIG. 3 is a side view thereof;
FIG. 4 is a side view thereof;
FIG. 5 is a rear elevational view thereof;
FIG. 6 is a top plan view thereof; and,
FIG. 7 is a bottom plan view thereof.
The fragmentary showing of the electrical cord in FIGS. 3-7 is for ease of illustration.

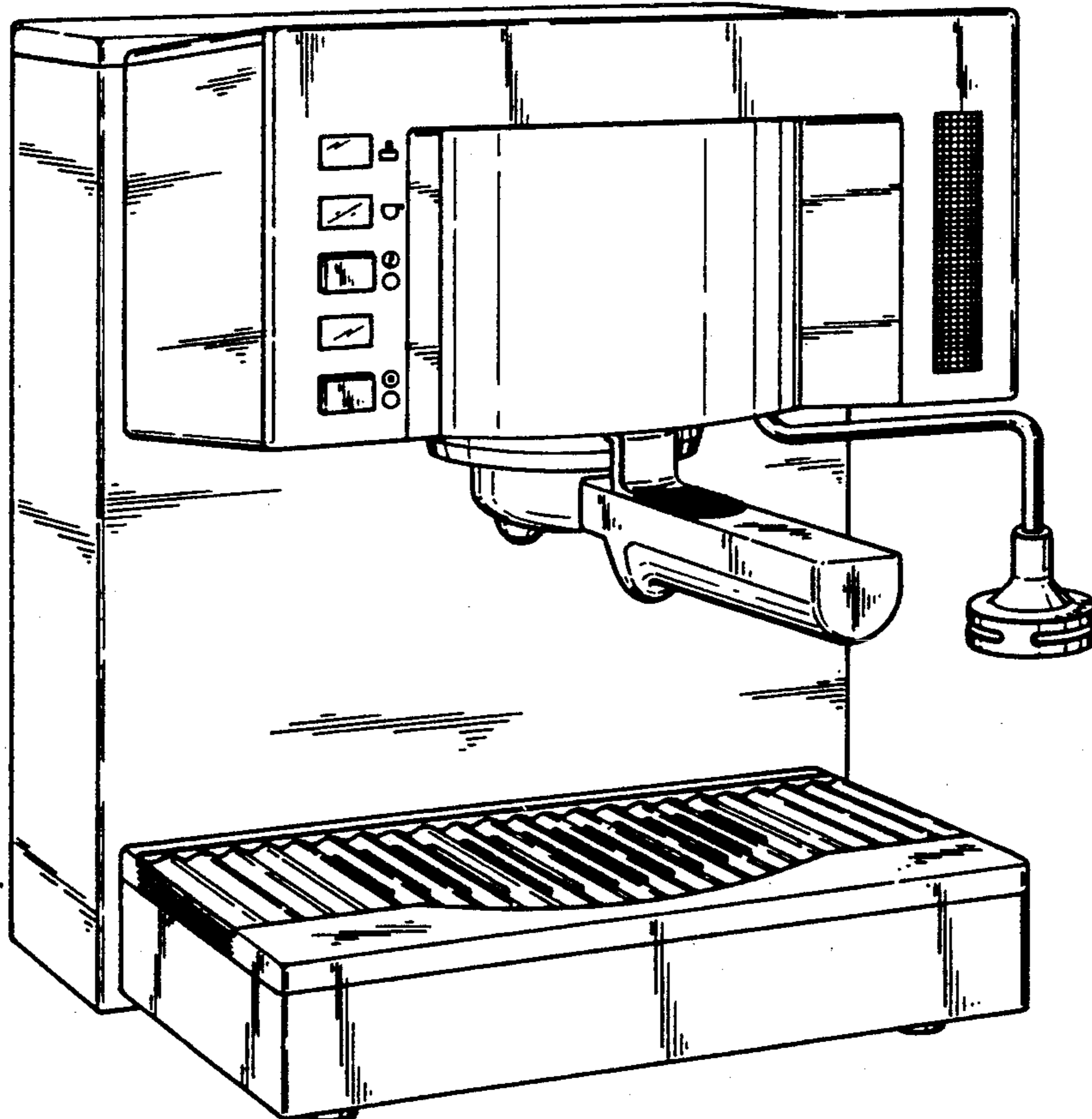


Fig. 1

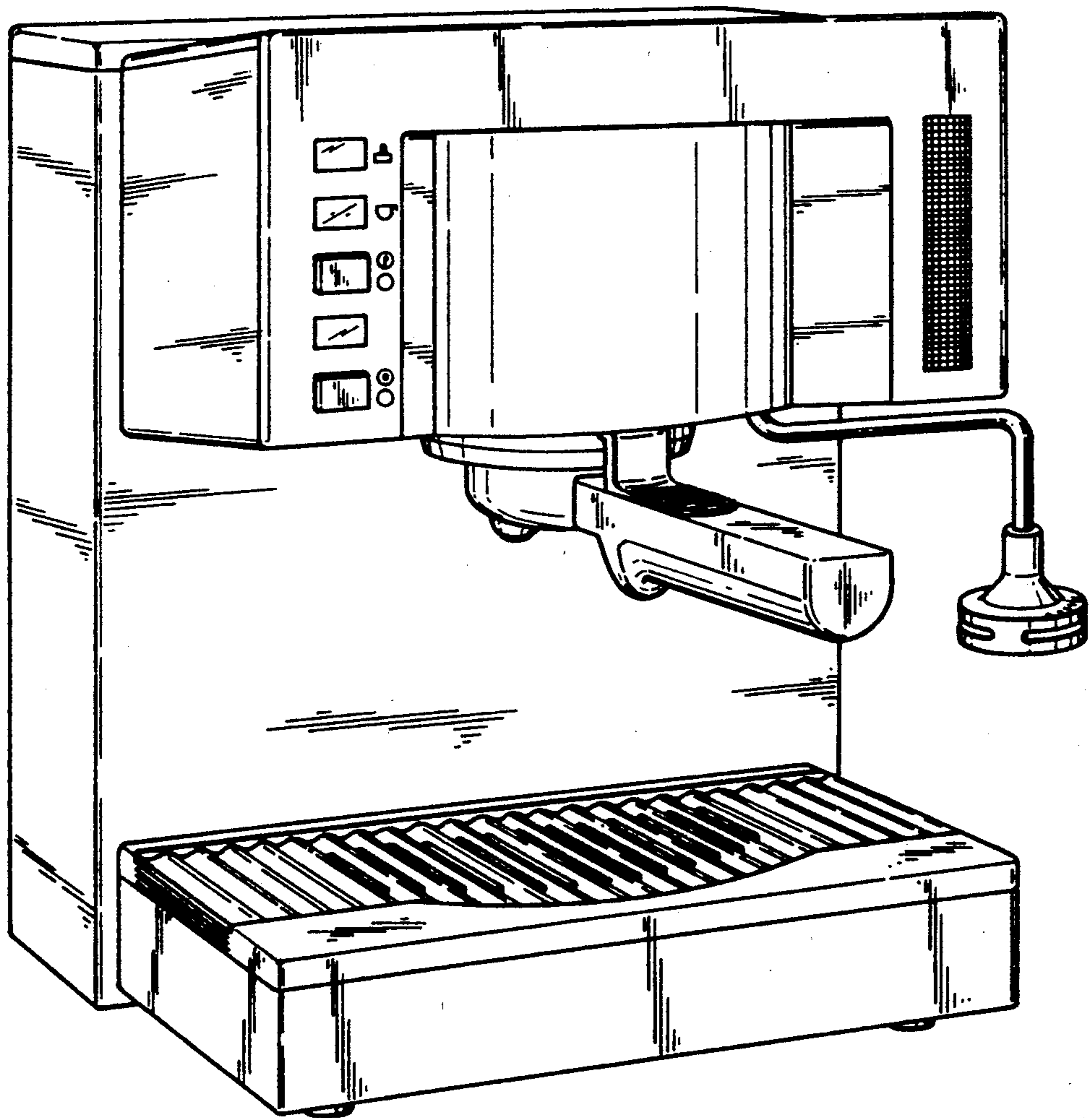


Fig. 3

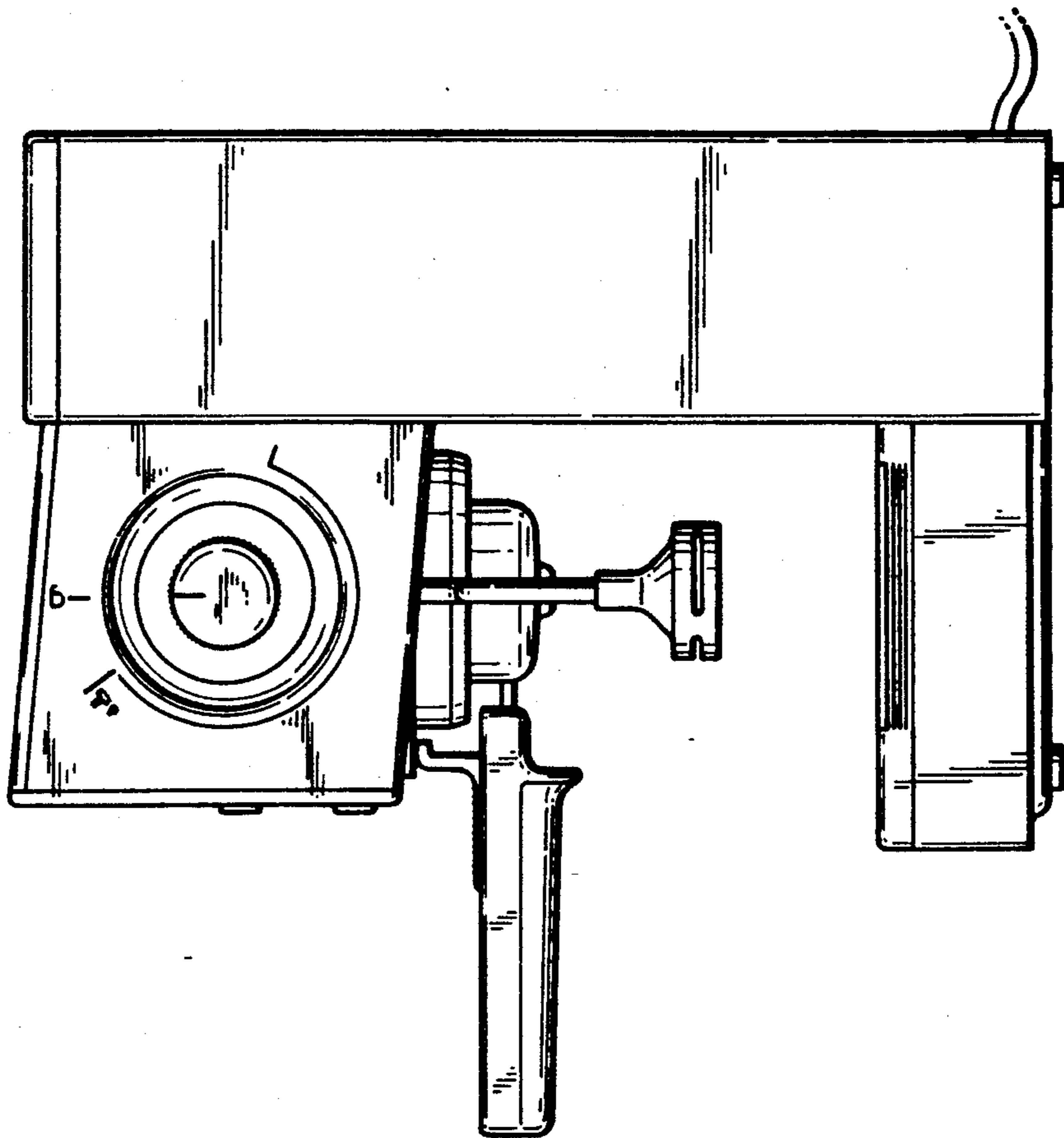


Fig. 2

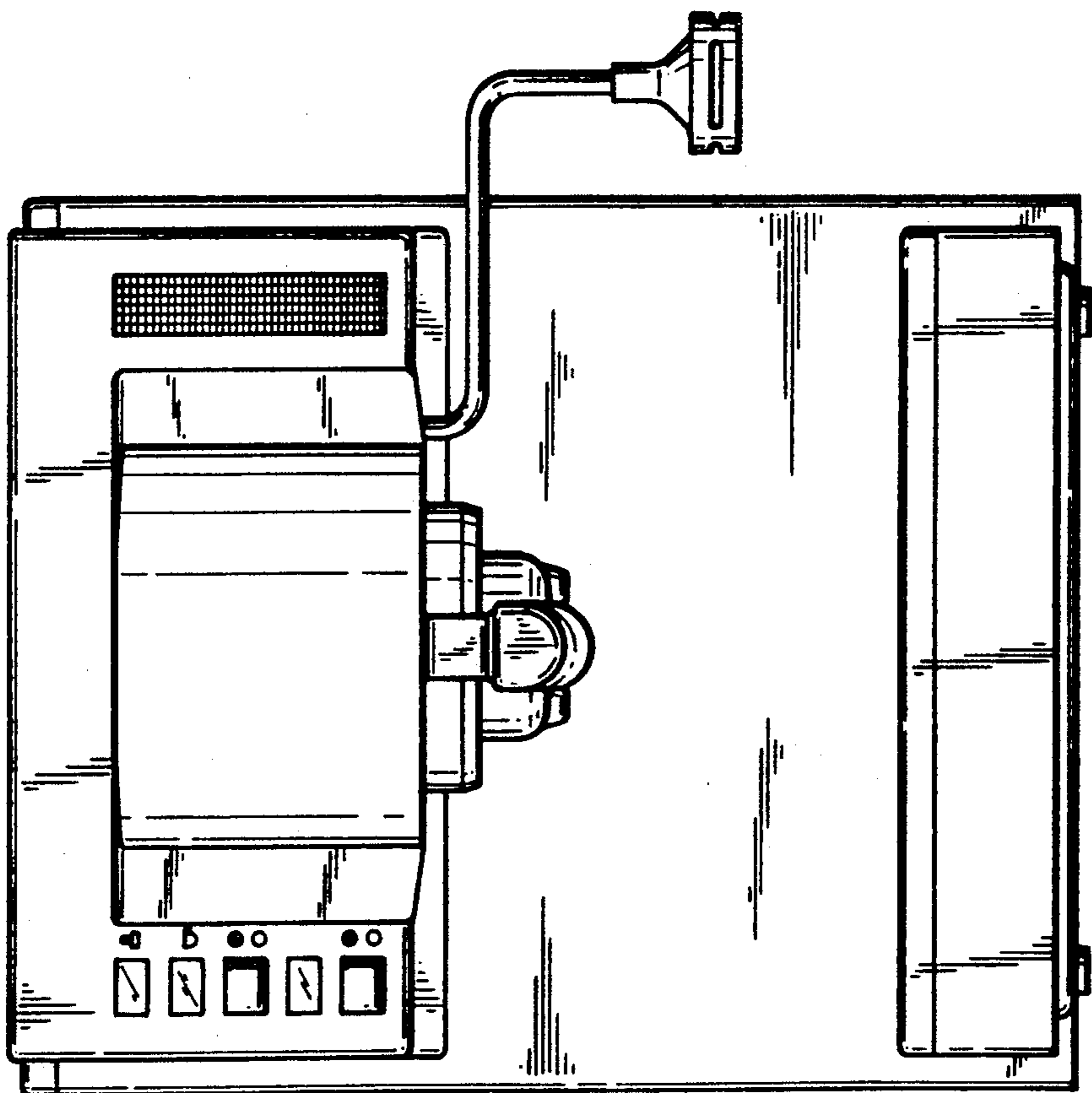


Fig. 5

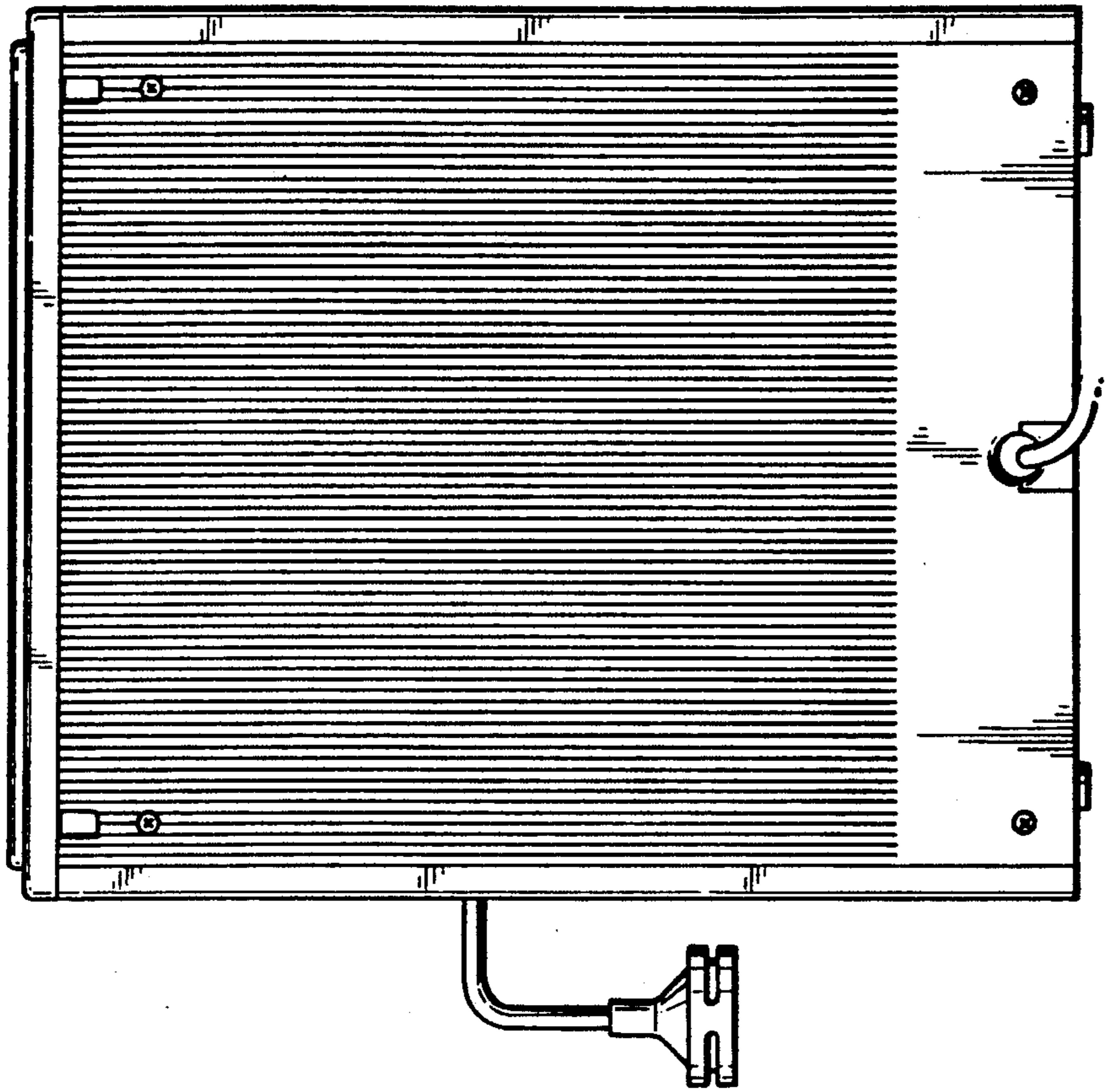


Fig. 4

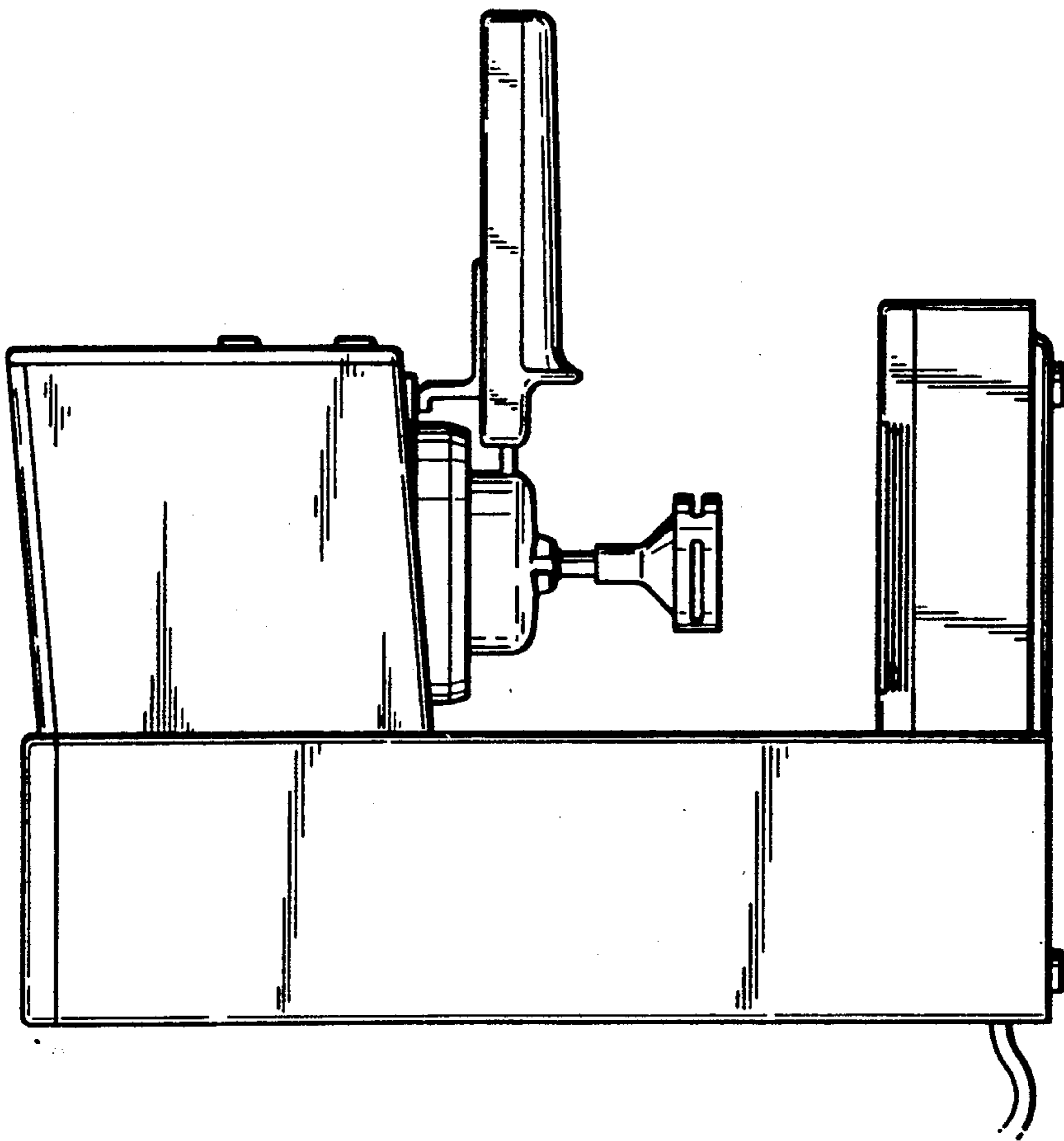


Fig. 7

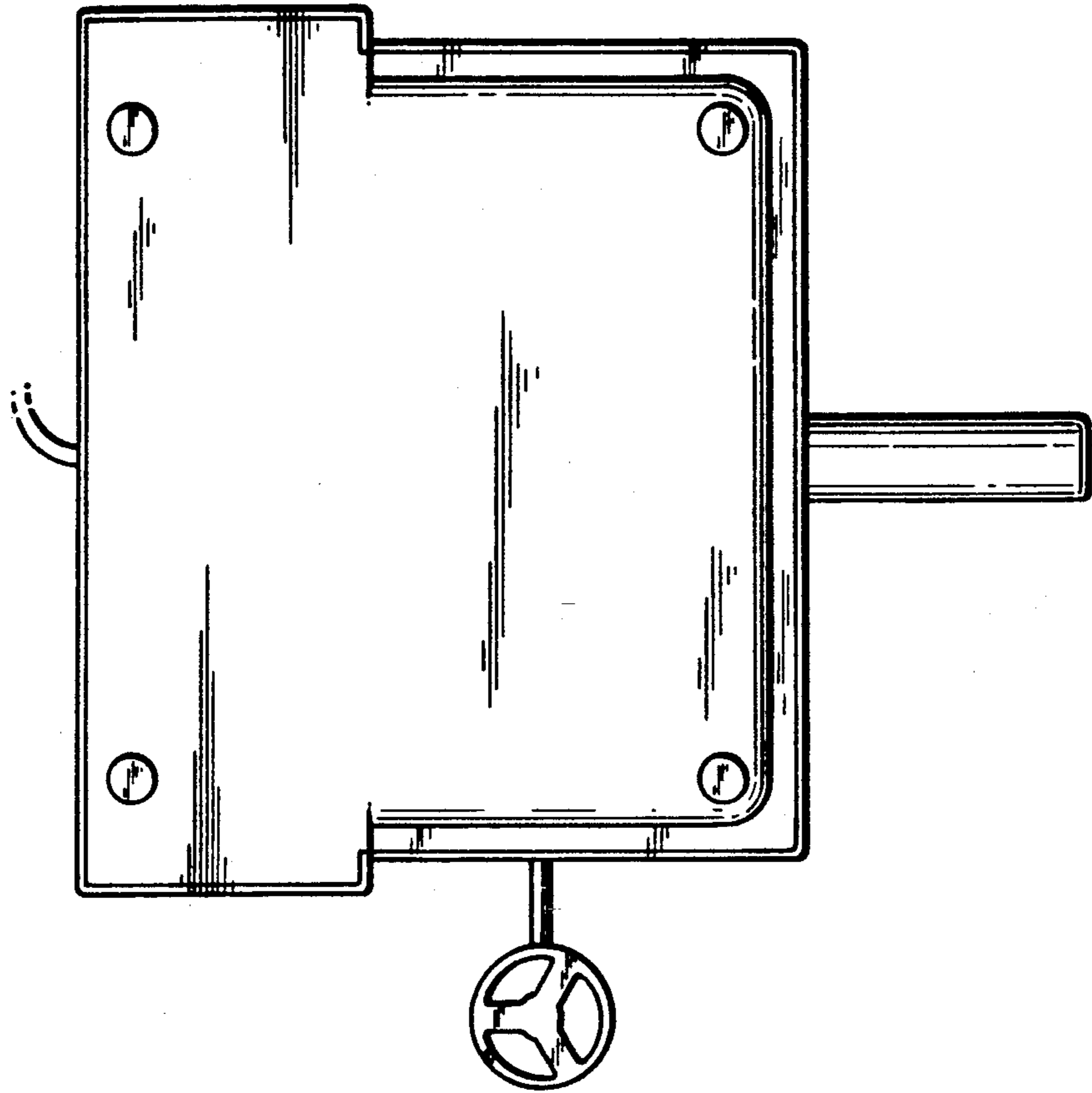


Fig. 6

