



US00D336194S

United States Patent [19]

[11] Patent Number: **Des. 336,194**

Floyde

[45] Date of Patent: **** Jun. 8, 1993**

[54] **RAZOR STORAGE HOLDER**

1,974,776	9/1934	Hagel	206/208
2,523,921	9/1950	Pratt	206/208
4,008,808	2/1977	Ramsay	211/88

[76] Inventor: **Andrew J. Floyde**, 43 Kent Street, East Victoria Park W.A. 6101, Australia

Primary Examiner—Brian N. Vinson
Attorney, Agent, or Firm—Banner, Birch, McKie & Beckett

[**] Term: **14 Years**

[21] Appl. No.: **607,061**

[57] **CLAIM**

[22] Filed: **Oct. 31, 1990**

The ornamental design for a razor storage holder, as shown and described.

[30] **Foreign Application Priority Data**

May 2, 1990 [AU] Australia 1297/90

[52] U.S. Cl. **D6/526**

[58] Field of Search D6/526; D9/340; 211/13, 211/70.6, 86-89, 113; 206/207-208, 349, 352

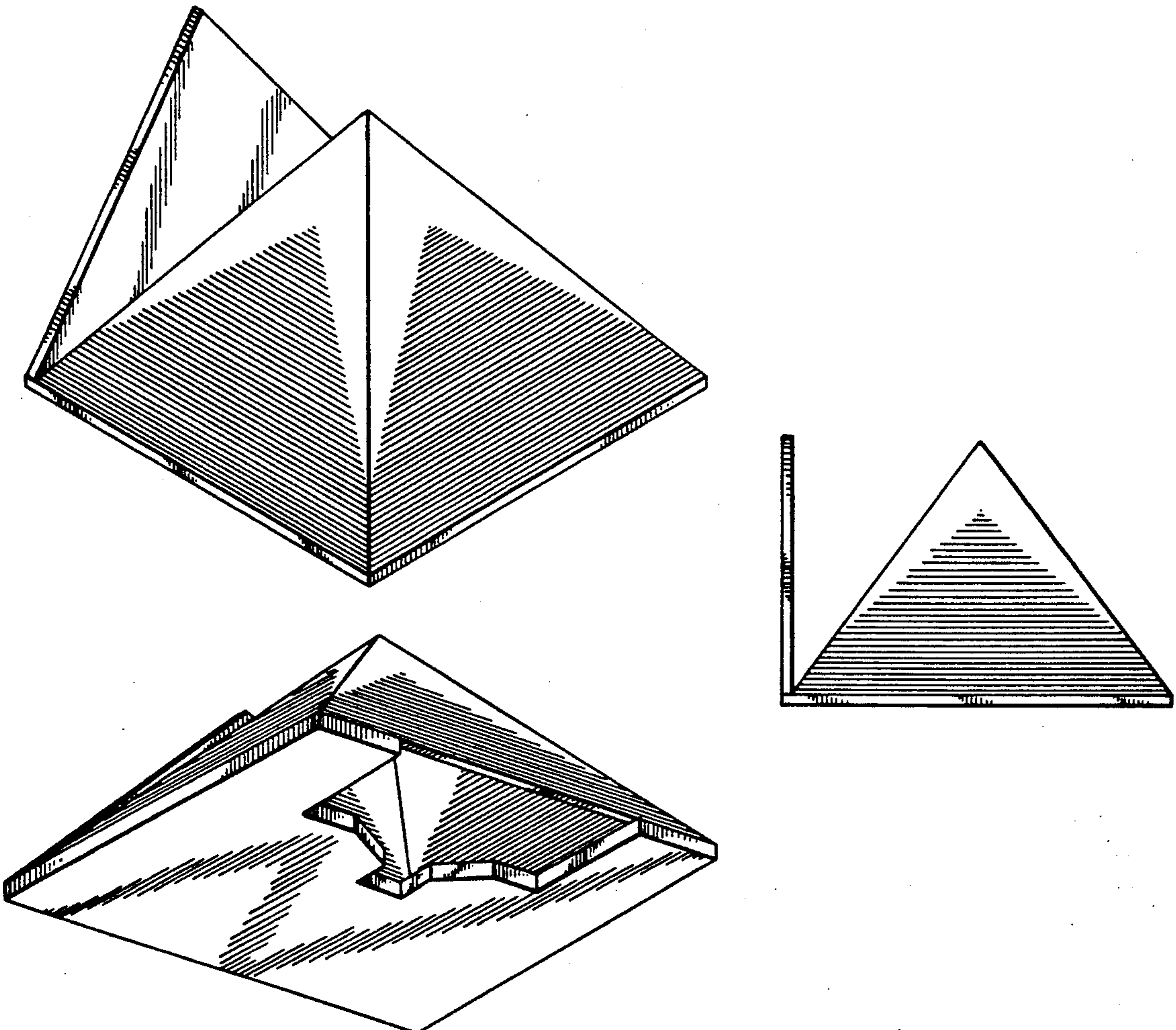
DESCRIPTION

[56] **References Cited**

U.S. PATENT DOCUMENTS

D. 197,880	4/1964	Rubin	D6/526
D. 280,373	9/1985	Loakim	D6/526
D. 312,181	11/1990	Terner	D6/526

FIG. 1 is a top perspective view of a razor storage holder showing my new design;
FIG. 2 is a front elevational view thereof, the rear surface being plain;
FIG. 3 is a side elevational view thereof, the side opposite being a mirror image;
FIG. 4 is a top plan view thereof;
FIG. 5 is a bottom plan view thereof; and,
FIG. 6 is a bottom perspective view thereof.



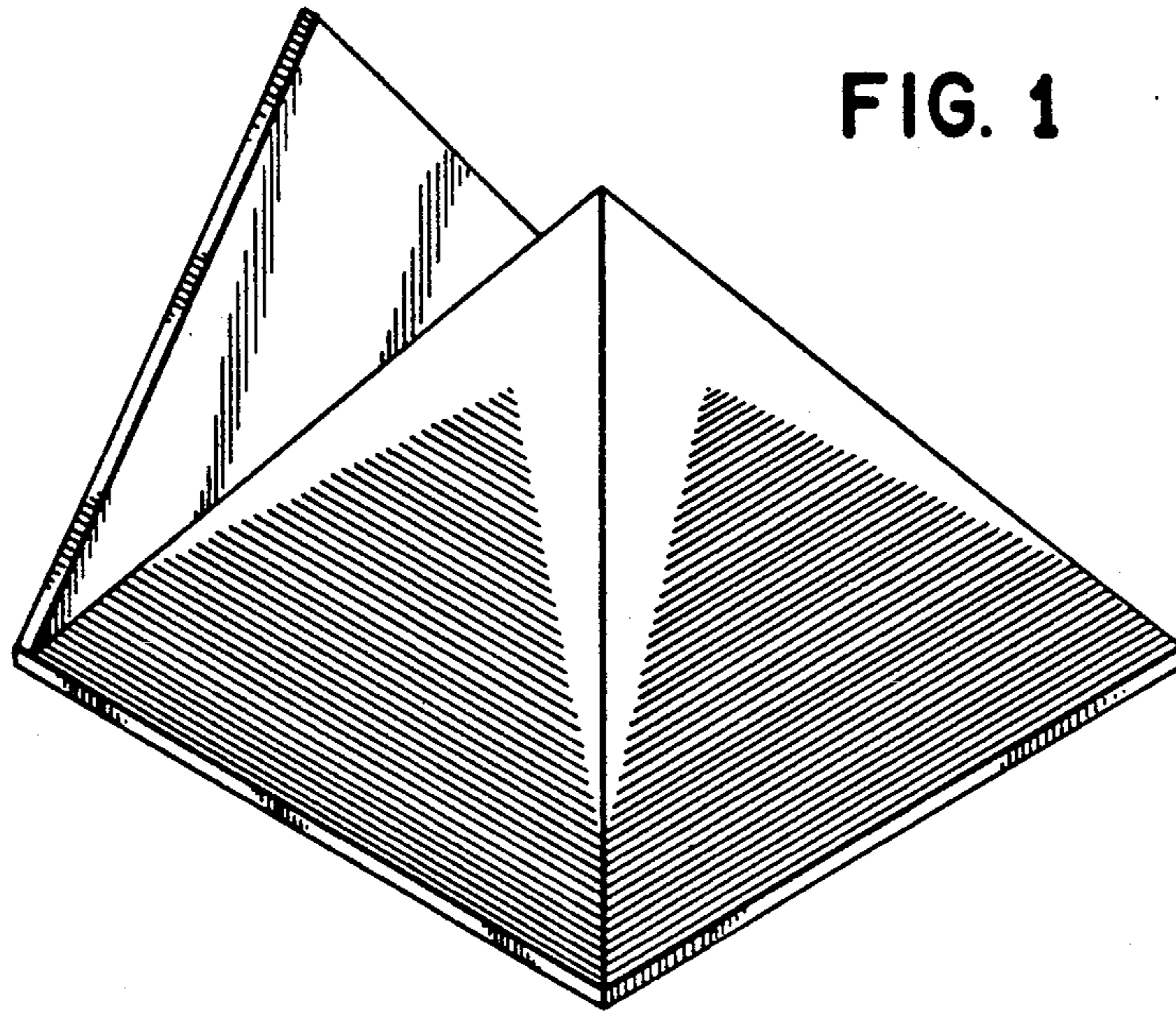


FIG. 1

FIG. 2

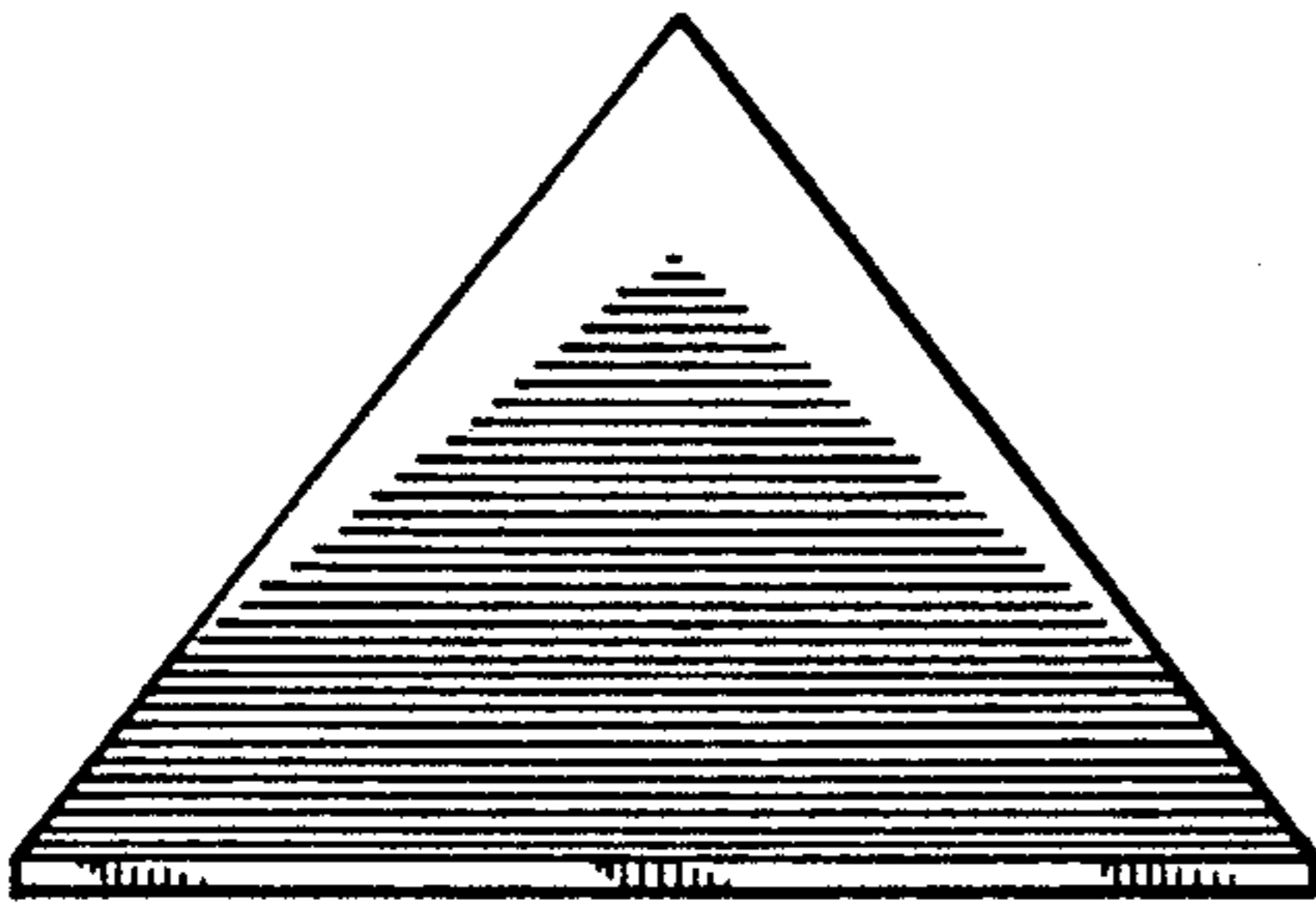


FIG. 3

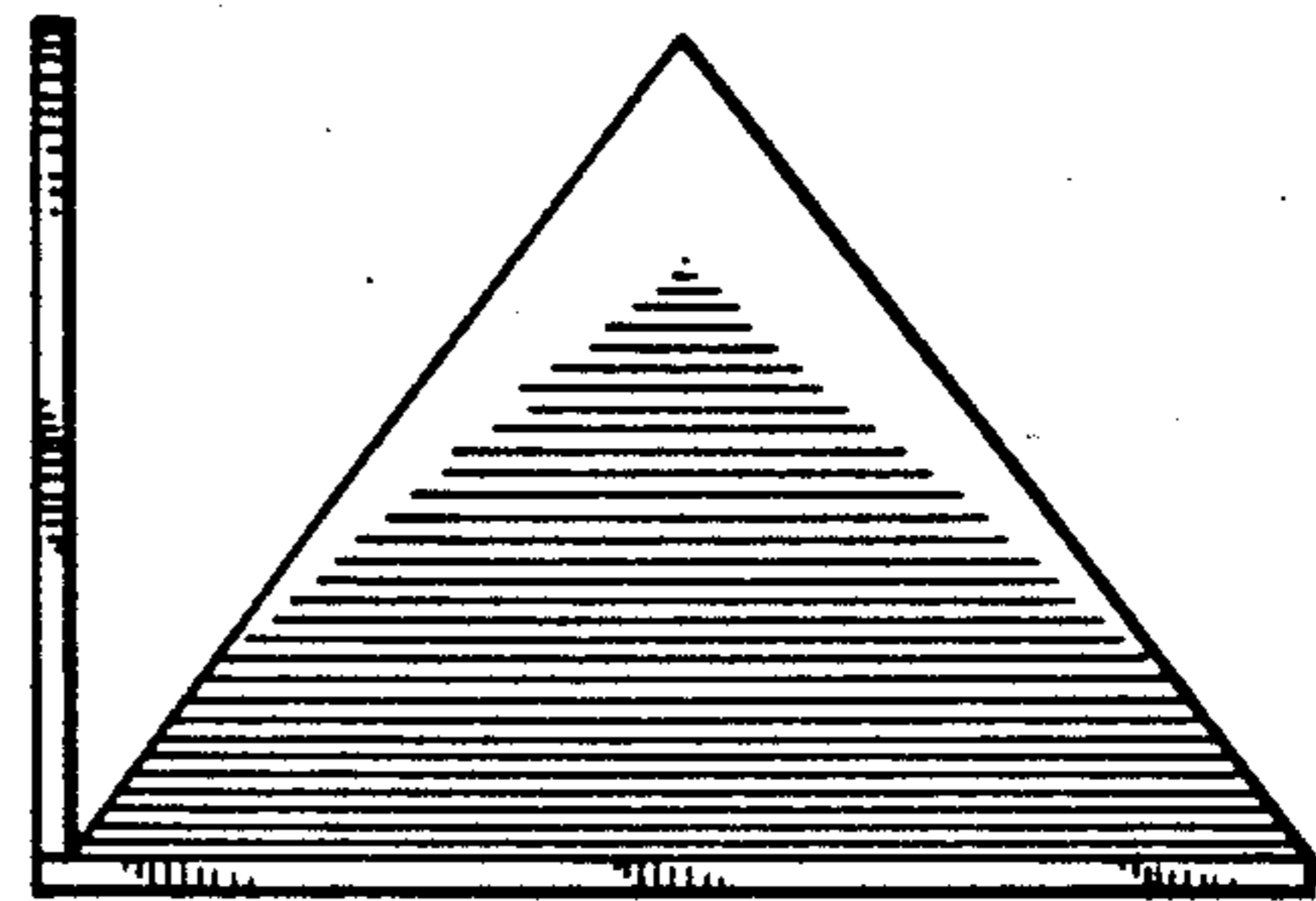


FIG. 4

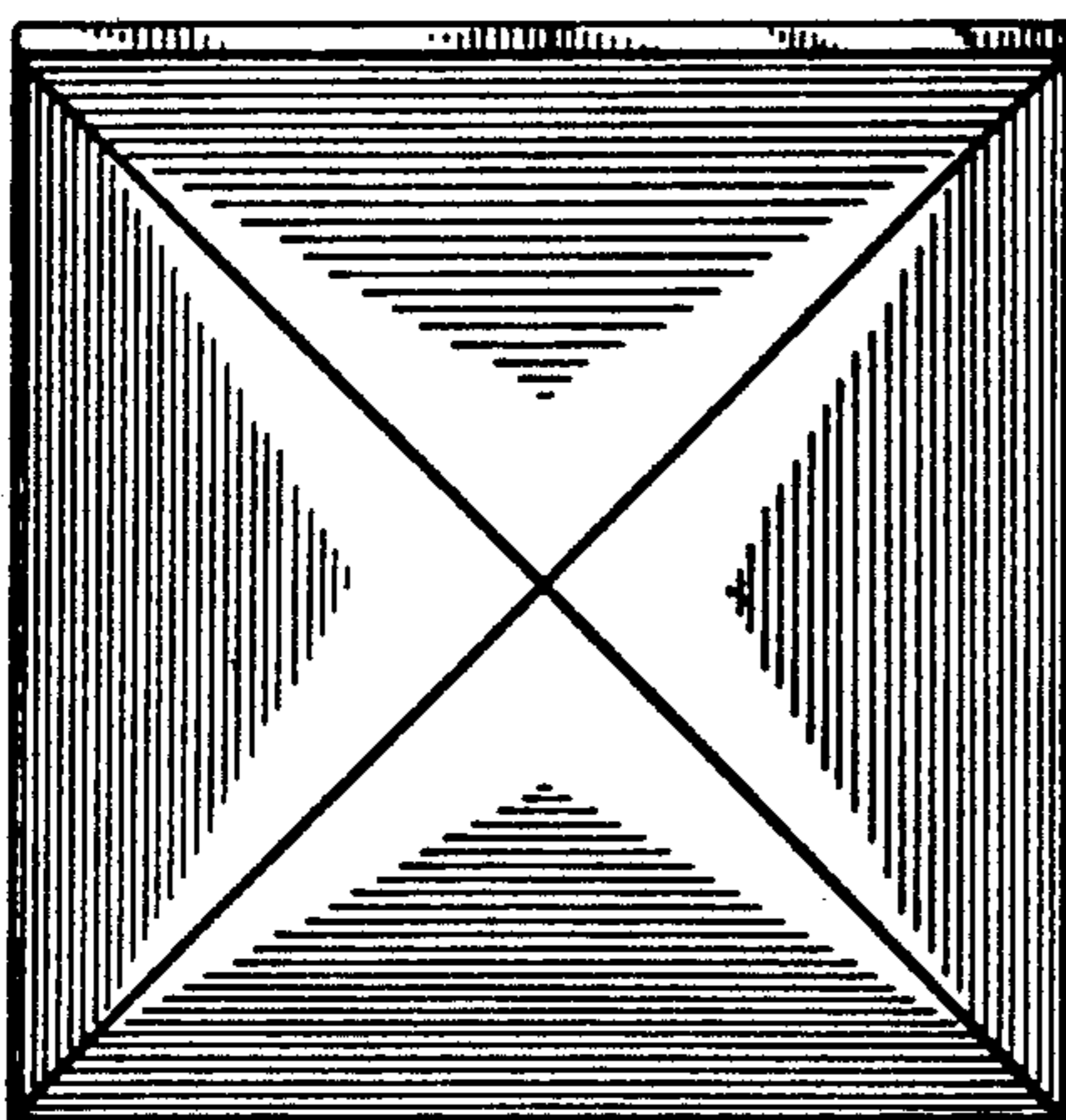


FIG. 5

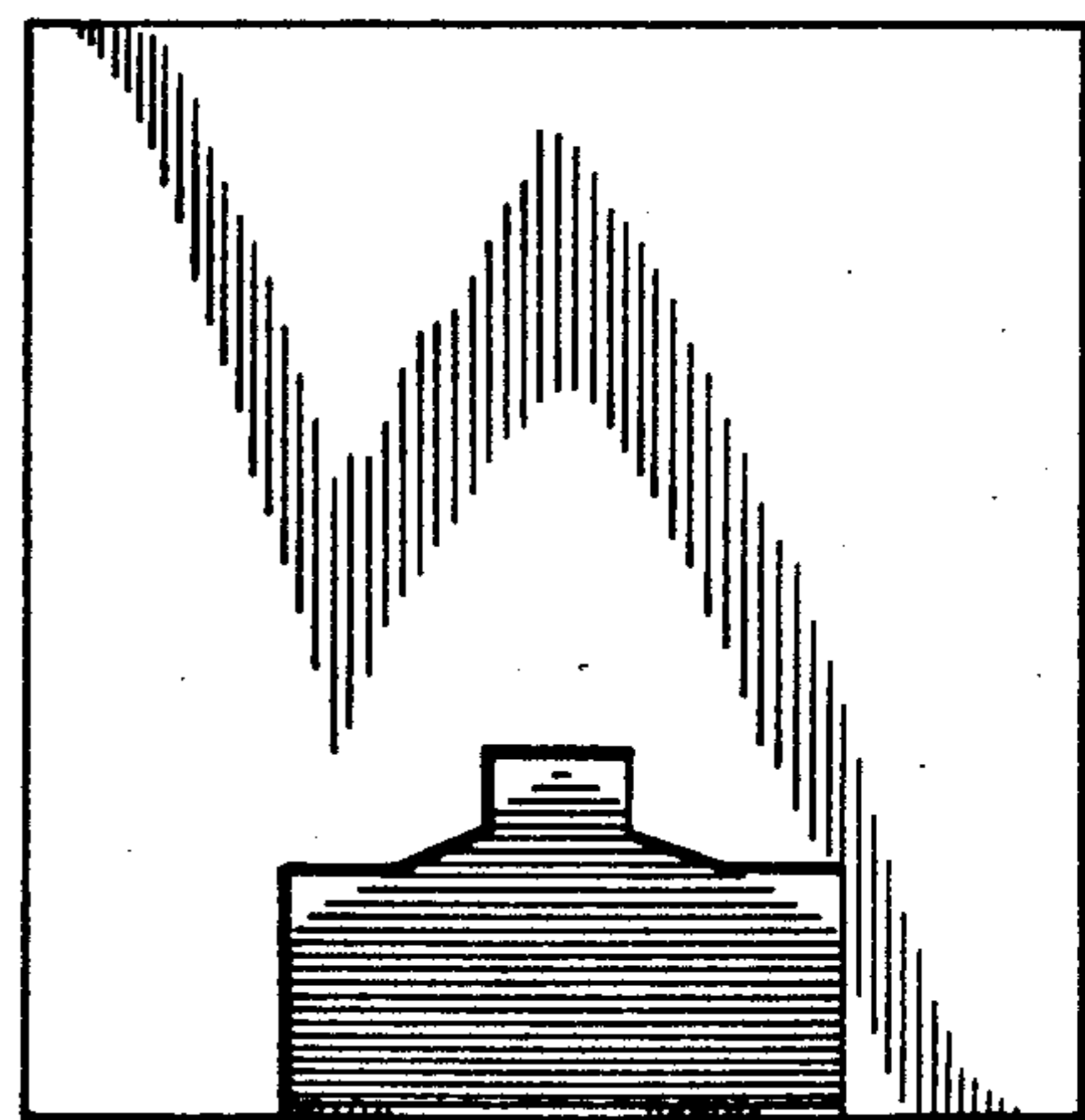


FIG. 6

