



US00D336191S

# United States Patent [19]

[11] Patent Number: **Des. 336,191**

Deimen et al.

[45] Date of Patent: **\*\* Jun. 8, 1993**

[54] **COMBINED TABLE TOP AND SUPPORTS**

[75] Inventors: **Michael L. Deimen; Terence M. Duncan**, both of Grand Rapids; **Randall P. Nelsen**, Alto; **Michael E. Wurth**, Grand Rapids, all of Mich.

[73] Assignee: **Steelcase Inc.**, Grand Rapids, Mich.

[\*\*] Term: **14 Years**

[21] Appl. No.: **821,594**

[22] Filed: **Jan. 15, 1992**

### Related U.S. Application Data

[60] Division of Ser. No. 425,318, Oct. 23, 1989, which is a continuation-in-part of Ser. No. 129,972, Dec. 8, 1987, abandoned.

[52] U.S. Cl. .... **D6/511; D6/482**

[58] Field of Search ..... **D6/480, 482, 484, 485, D6/488, 511, 422, 425, 426, 406; 108/50, 64; 312/194-196, 203**

[56] **References Cited**

#### U.S. PATENT DOCUMENTS

D. 134,298	11/1941	Eppenstein	
D. 139,017	10/1944	Leatherman	D6/406
D. 178,297	7/1956	Little	D6/485
D. 225,046	11/1972	Nance	D6/157
D. 238,841	2/1976	Goulooze	D6/4
D. 242,832	12/1976	Swensson	D6/4
D. 251,526	4/1979	Zapf	D6/167
D. 255,188	6/1980	Zapf	D6/162
D. 277,249	1/1985	Dunbar	D6/483
D. 278,770	5/1985	Koguma	D6/423
D. 278,772	5/1985	Koguma	D6/426
D. 281,294	11/1985	Hoppe	D6/422
2,296,981	10/1981	Hildenbrandt et al.	312/194
2,663,603	12/1953	Neuman	D6/406 X
2,821,450	8/1956	Knoll	312/111
2,930,665	3/1960	Budai	312/111
3,533,362	10/1970	Thompson	108/64
3,786,765	1/1974	Burr	108/60
3,807,102	4/1974	Albinson et al.	52/36
3,869,992	3/1975	Kramer	108/60
3,931,771	1/1976	Kramer	108/77
3,992,067	11/1976	Kane	312/194
4,049,331	9/1977	Gutmann, Jr.	312/203
4,055,373	10/1977	Andresen et al.	312/263

4,078,342	3/1978	Cohen	52/79.1
4,094,561	6/1978	Wolff et al.	312/223
4,224,769	9/1980	Ball et al.	52/36
4,257,203	3/1981	Propst et al.	52/221
4,288,948	9/1981	Harris	52/28
4,296,574	10/1981	Stephens	52/27
4,345,803	8/1982	Heck	312/194
4,372,629	2/1983	Propst et al.	312/223
4,387,941	6/1983	Maier	312/194
4,535,577	8/1985	Tenser et al.	52/221
4,535,703	8/1985	Henriott et al.	108/50
4,536,044	8/1985	Ziegelheim et al.	312/257
4,567,698	2/1986	Morrison	52/36
4,571,907	2/1986	DeFouw et al.	52/239
4,586,759	5/1986	Wrobel	312/198
4,593,508	6/1986	Curatolo	52/239
4,619,486	10/1986	Hannah et al.	312/195
4,624,083	11/1986	Diffrient	52/65
4,625,476	12/1986	Shimada	52/126.4
4,639,049	1/1987	Frascaroli et al.	312/195
5,092,253	3/1992	Grund et al.	312/196 X

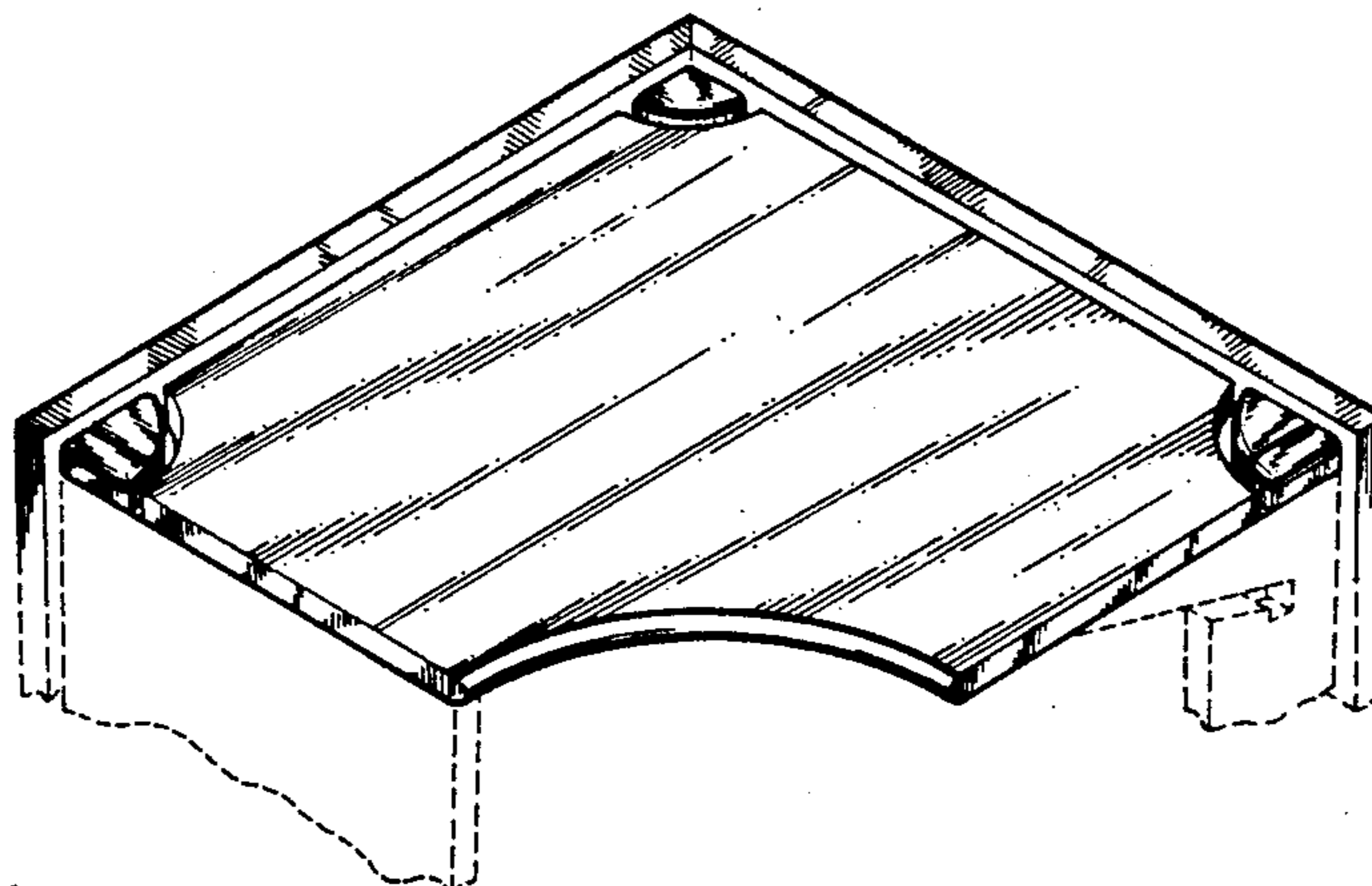
#### FOREIGN PATENT DOCUMENTS

0312369 10/1988 European Pat. Off.

#### OTHER PUBLICATIONS

G. F. Furniture Systems ©1986, inside rear cover corner work surface at lower left.  
 Steelcase-Context Catalog ©1989, table at lower left p. 10, submitted by applicant in 07/425318.  
 "Ethos", Herman Miller.  
 Sunar Hauserman's Race System.  
 "Hannah Desk System", Knoll.  
 "Wrap-Around Work Surfaces", Haworth ES.  
 "How To Get More Office Space Without Paying A Dollar More In Rent", Round Office, Inc.  
 Hiebert, "... New Directions".  
 Knoll, "Morrison System".  
 Herman Miller, "Organizing The Work Envelope".  
 Sunar Hauserman, "Douglas Bass's Cameron with Design Option".  
 Round Office, Inc., "Round Office".  
 Ill International, Inc., "Tinta System".  
 Haworth Inc., "ES Wrap-Around Work Surfaces".

Primary Examiner—Nelson C. Holtje  
Assistant Examiner—J. E. Seeger



*Attorney, Agent, or Firm*—Price, Heneveld, Cooper,  
DeWitt & Litton

**DESCRIPTION**

[57]

**CLAIM**

The ornamental design for a combined table top and supports, as shown and described.

FIG. 1 is a perspective view of a combined table top and supports, showing our new design;  
FIG. 2 is a top plan view; and,  
FIG. 3 is a side elevational view.  
The broken lines are for environmental purposes only and form no part of the claimed design.

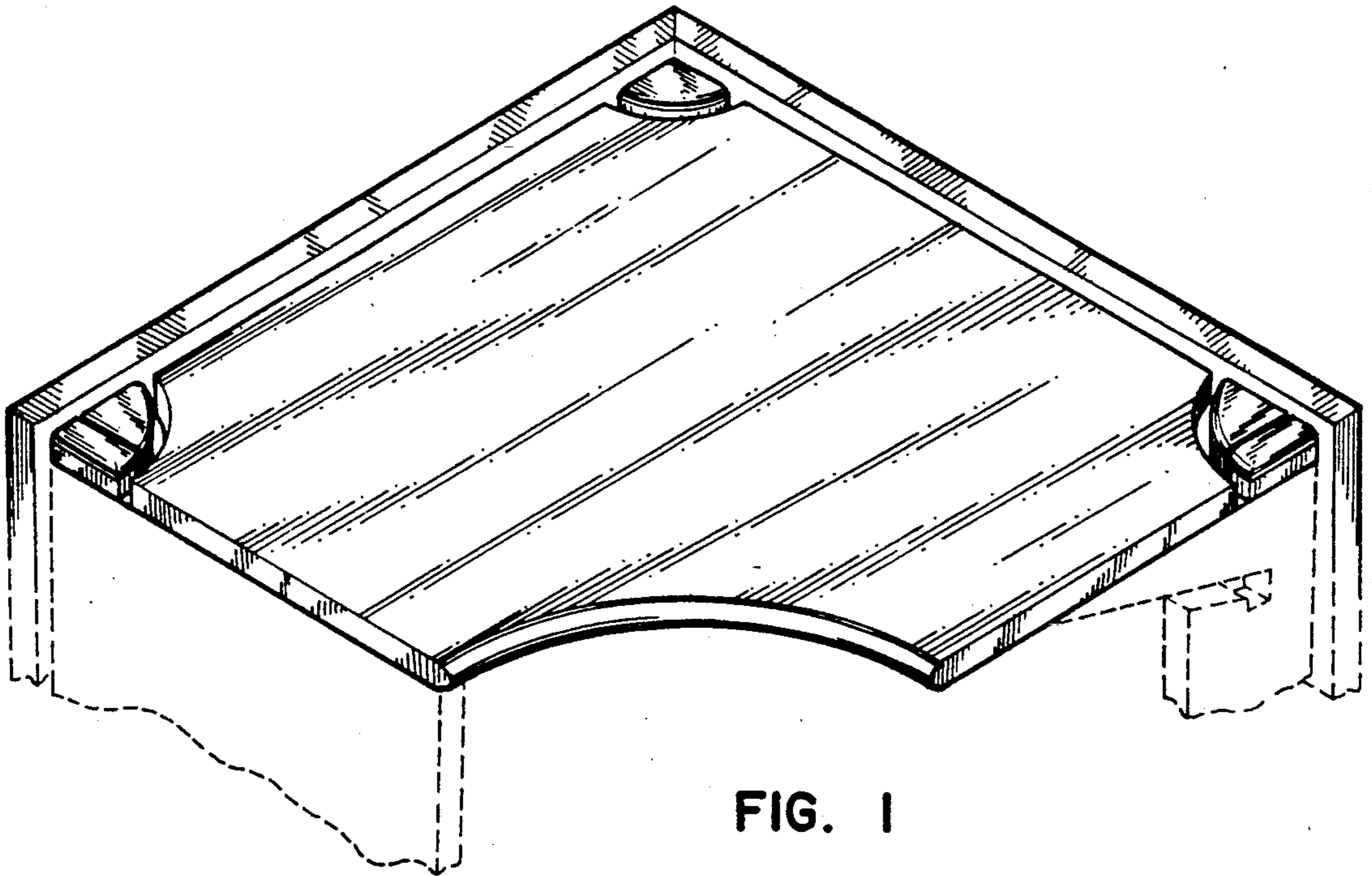
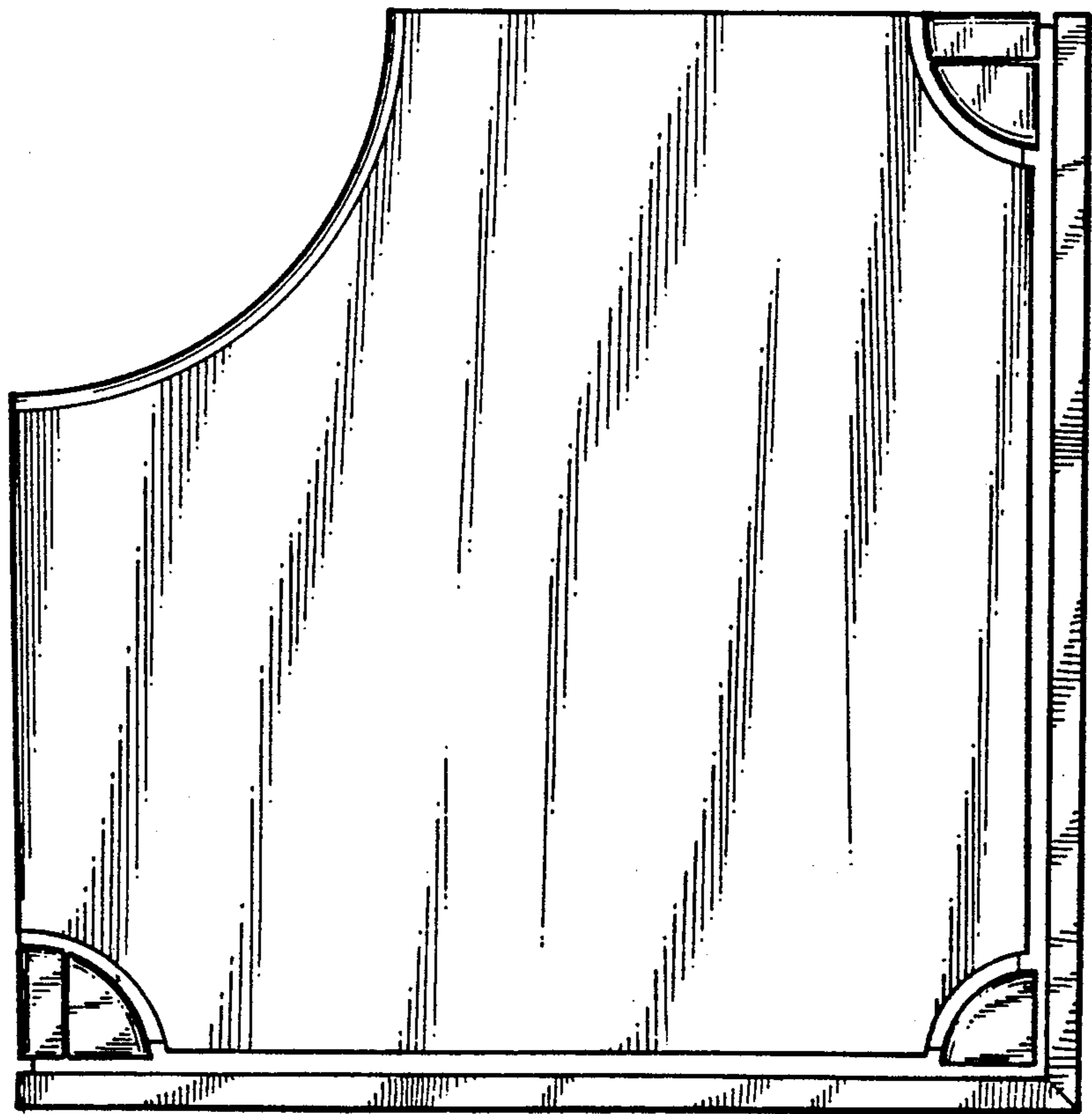


FIG. 2



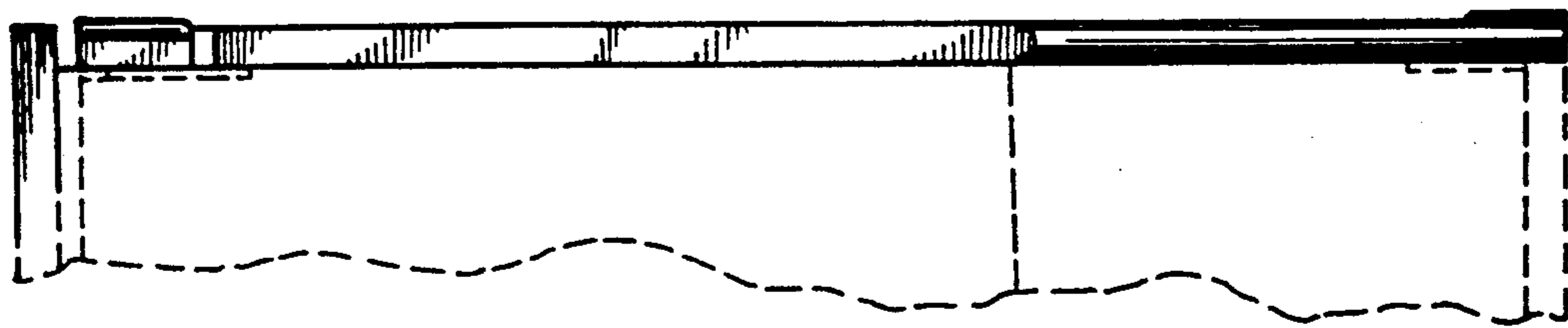


FIG. 3