



US00D336190S

# United States Patent [19] Hall

[11] Patent Number: **Des. 336,190**

[45] Date of Patent: **\*\* Jun. 8, 1993**

[54] **DRAWER FOR FLOPPY DISKS**

4,779,730 10/1988 Hartsfield et al. .... 206/561 X

[76] Inventor: **Ronald L. Hall**, 2900 Madison Ave.  
#C32, Fullerton, Calif. 92631

**OTHER PUBLICATIONS**

Guernsey Office Products ©1988, top right item#C.  
MacWorld Nov. 1989, p. 346.

[\*\*] Term: **14 Years**

*Primary Examiner*—Nelson C. Holtje  
*Assistant Examiner*—Janice C. Seeger

[21] Appl. No.: **532,995**

[57] **CLAIM**

[22] Filed: **Jun. 4, 1990**

The ornamental design for a drawer for floppy disks, as shown and described.

[52] U.S. Cl. .... **D6/510; D3/35; D19/75**

[58] Field of Search ..... **D6/491, 509-511; D19/90, 75, 91; 312/330.1, 348.1, 334, 348.3; 206/425; 211/59.3; D3/35**

**DESCRIPTION**

FIG. 1 is a perspective view of a drawer for floppy disks, showing my new design; and, FIG. 2 is a side elevational view, the opposite side being a mirror image thereof.

[56] **References Cited**

**U.S. PATENT DOCUMENTS**

D. 264,145	5/1982	Outcalt	.....	D19/90 X
232,508	10/1872	Wright	.....	D6/4
821,578	5/1906	Athey	.....	312/330.1 X
1,845,470	2/1932	Wood	.....	312/348.3
2,985,333	5/1961	Kirkman	.....	D9/347 X
3,065,308	11/1962	Sayeoka	.....	206/425
4,105,270	8/1978	Bergkamp et al.	.....	312/330.1

A portion of the disclosure of this patent document contains material to which a claim for copyright is made. The copyright owner has no objection to the facsimile reproduction by anyone of the patent document or the patent disclosure, as it appears in the Patent and Trademark Office patent file or records, but reserves all other copyright rights whatsoever.

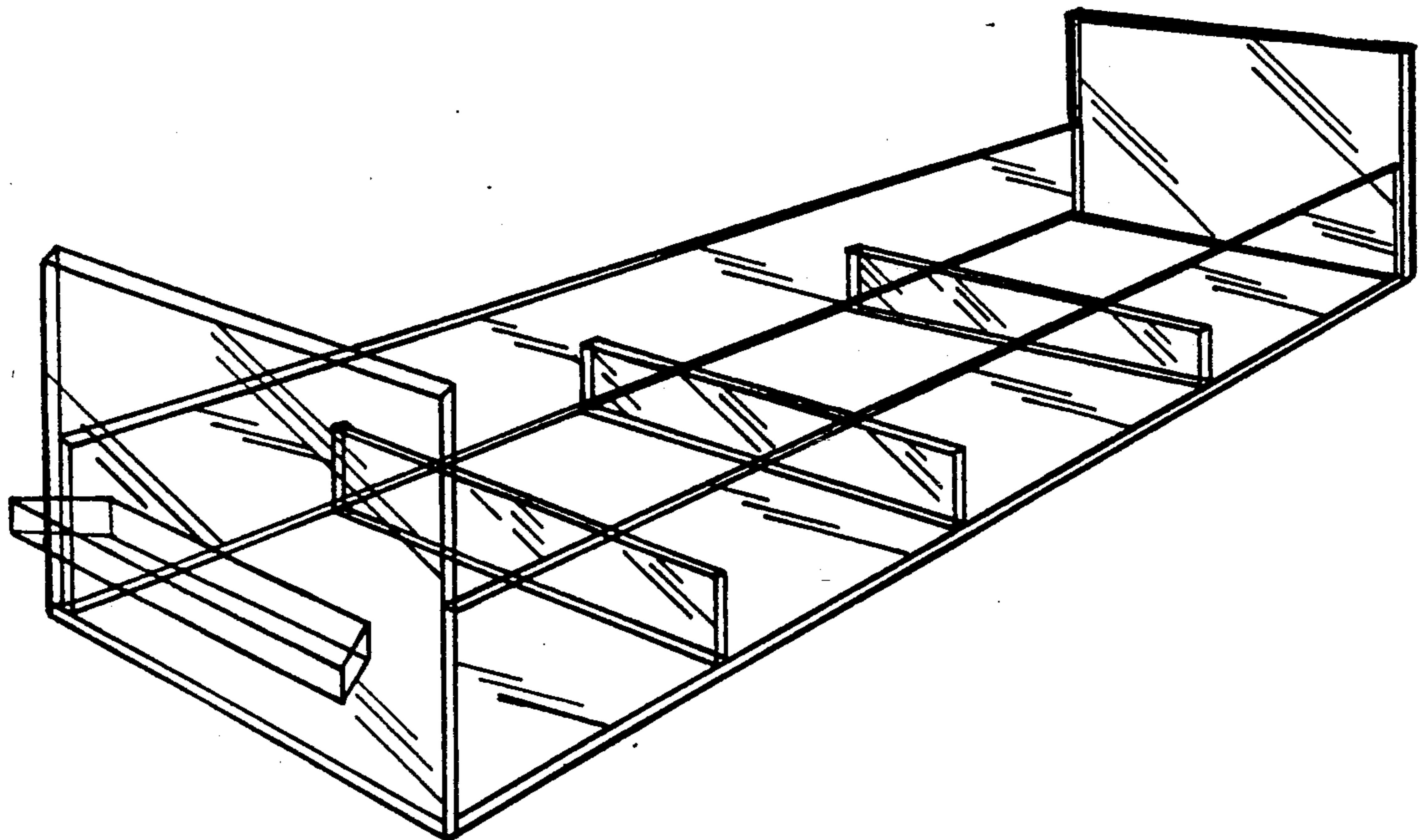


FIG. 1

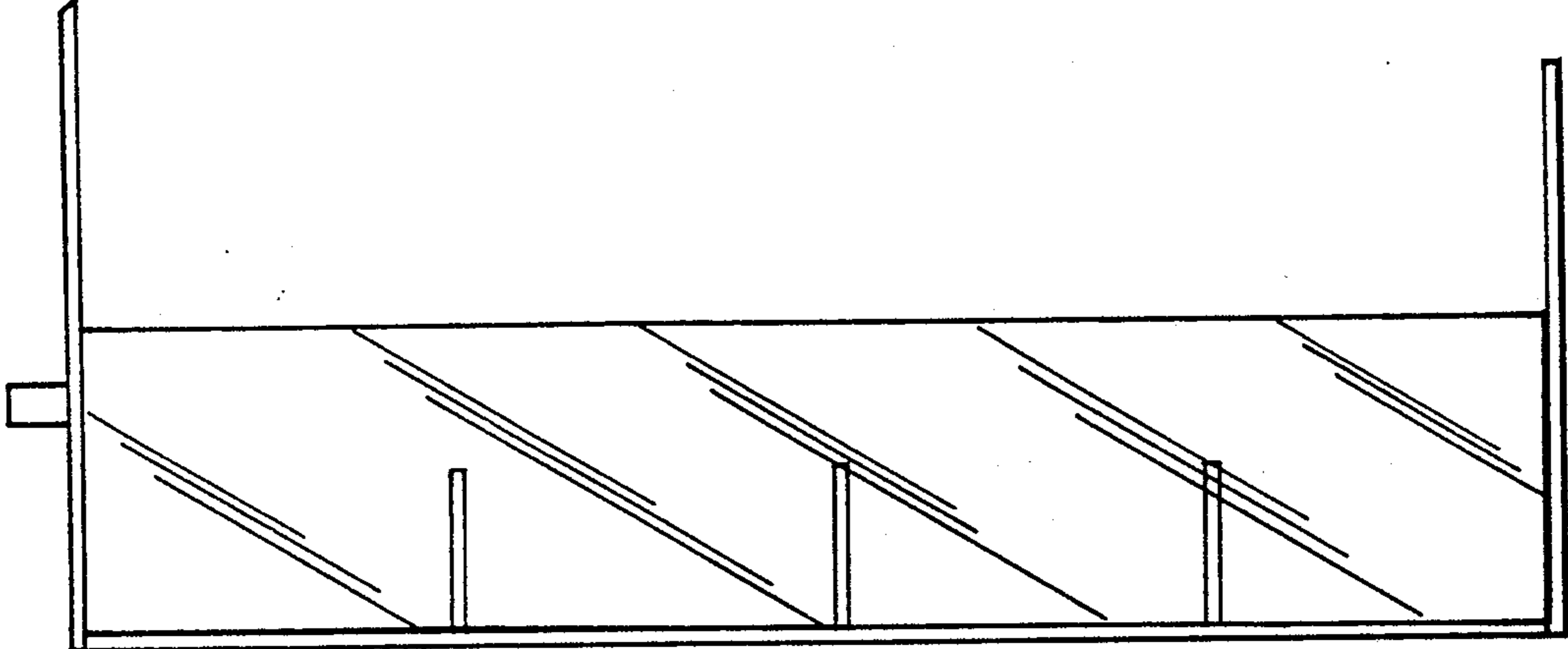
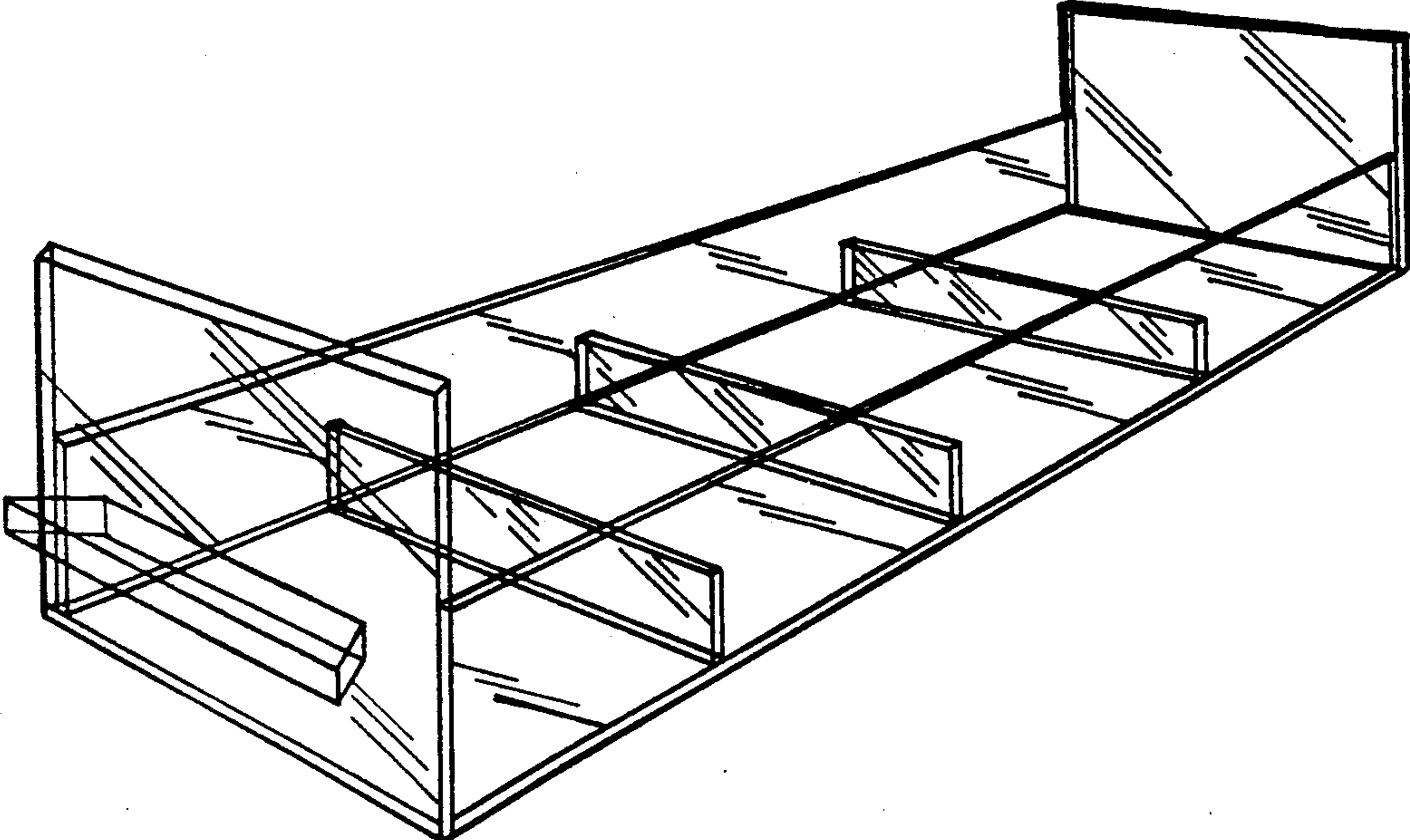


FIG. 2