



US00D336183S

United States Patent [19]
Klein, III

[11] **Patent Number: Des. 336,183**
[45] **Date of Patent: ** Jun. 8, 1993**

[54] **MOBILE RETAIL-DISPLAY STAND**

[76] **Inventor: Richard A. Klein, III, 43 Quince Landing, Franklin, Mass. 02038**

[**] **Term: 14 Years**

[21] **Appl. No.: 757,512**

[22] **Filed: Sep. 11, 1991**

[52] **U.S. Cl. D6/467; D6/449; D34/23**

[58] **Field of Search D6/396, 397, 449, 464, D6/466, 467, 468, 469, 465, 477-479; 211/186, 187, 189, 13, 148; 108/108, 111, 51; D34/17, 21, 23**

[56] **References Cited**

U.S. PATENT DOCUMENTS

D. 290,177	6/1987	Trubiano	D34/23
D. 322,875	12/1991	Kelley	D34/21
3,502,292	3/1970	Yoder	211/189 X
3,856,148	12/1974	Olinick	211/186 X
4,444,322	4/1984	Lee	211/187 X

OTHER PUBLICATIONS

Lozier Display Shelving Catalog, p. 12.
Circular, The Kent Corporation.

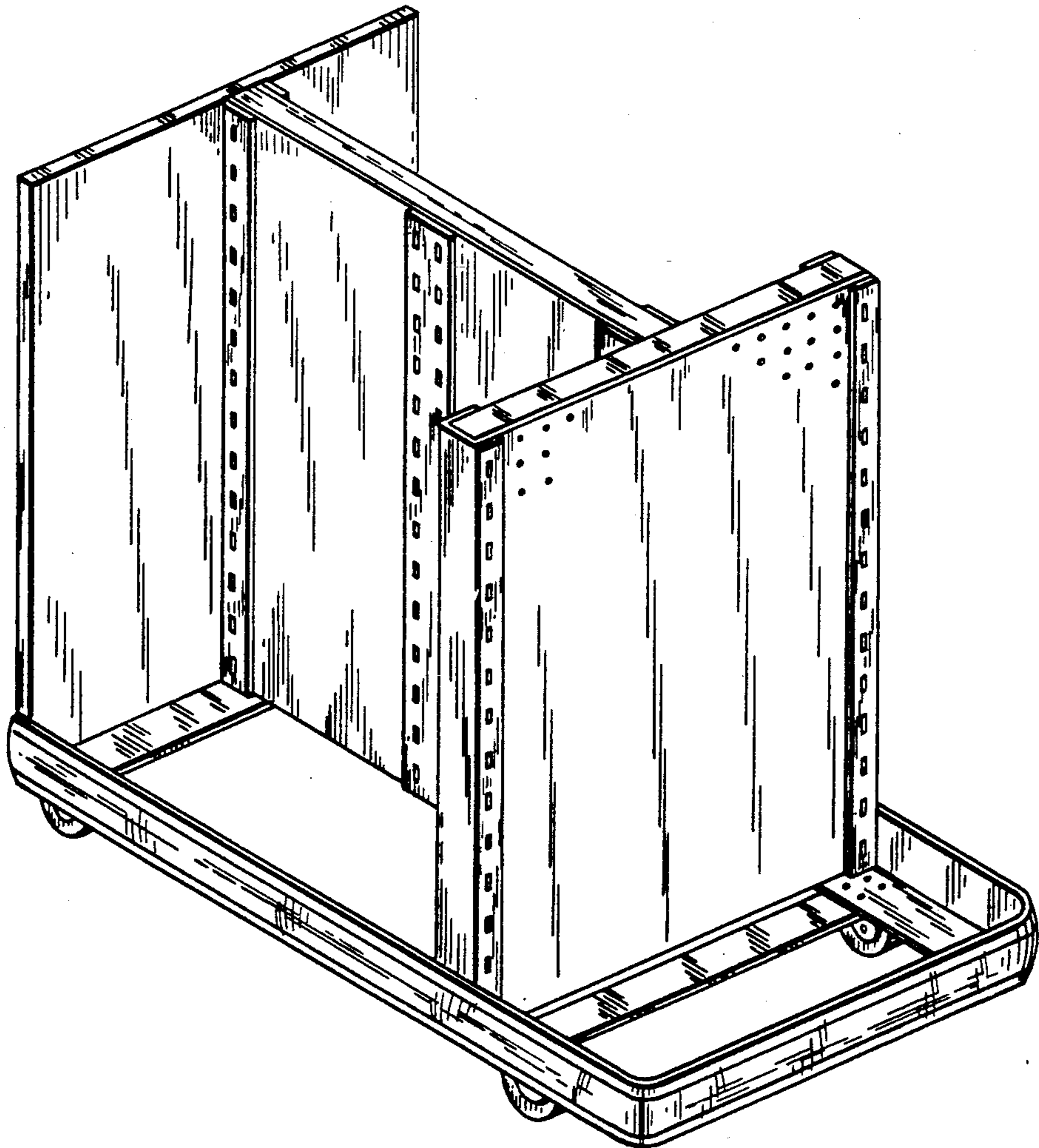
Primary Examiner—Alan P. Douglas
Assistant Examiner—Jeffrey Asch
Attorney, Agent, or Firm—Cesari and McKenna

[57] **CLAIM**

The ornamental design for a mobile retail-display stand, as shown.

DESCRIPTION

FIG. 1 is an isometric view from the front of a mobile retail-display stand incorporating my design; FIG. 2 is a top plan view thereof; FIG. 3 is a left-side view thereof; FIG. 4 is a right-side view thereof; FIG. 5 is a front view thereof; FIG. 6 is a back view thereof; FIG. 7 is an isometric view of a second embodiment of that shown in FIG. 1; and, FIG. 8 is a top plan view thereof.



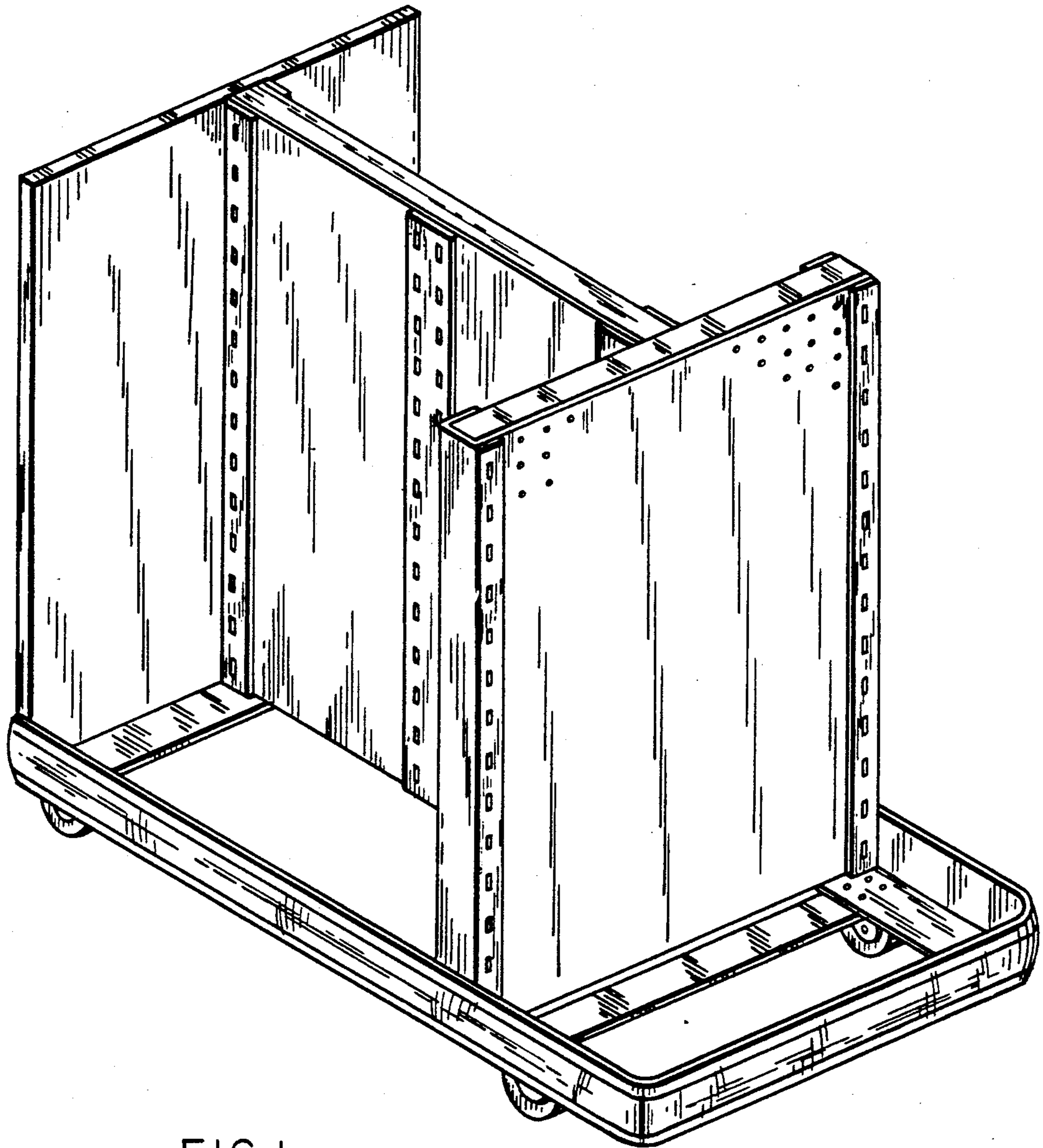


FIG. 1

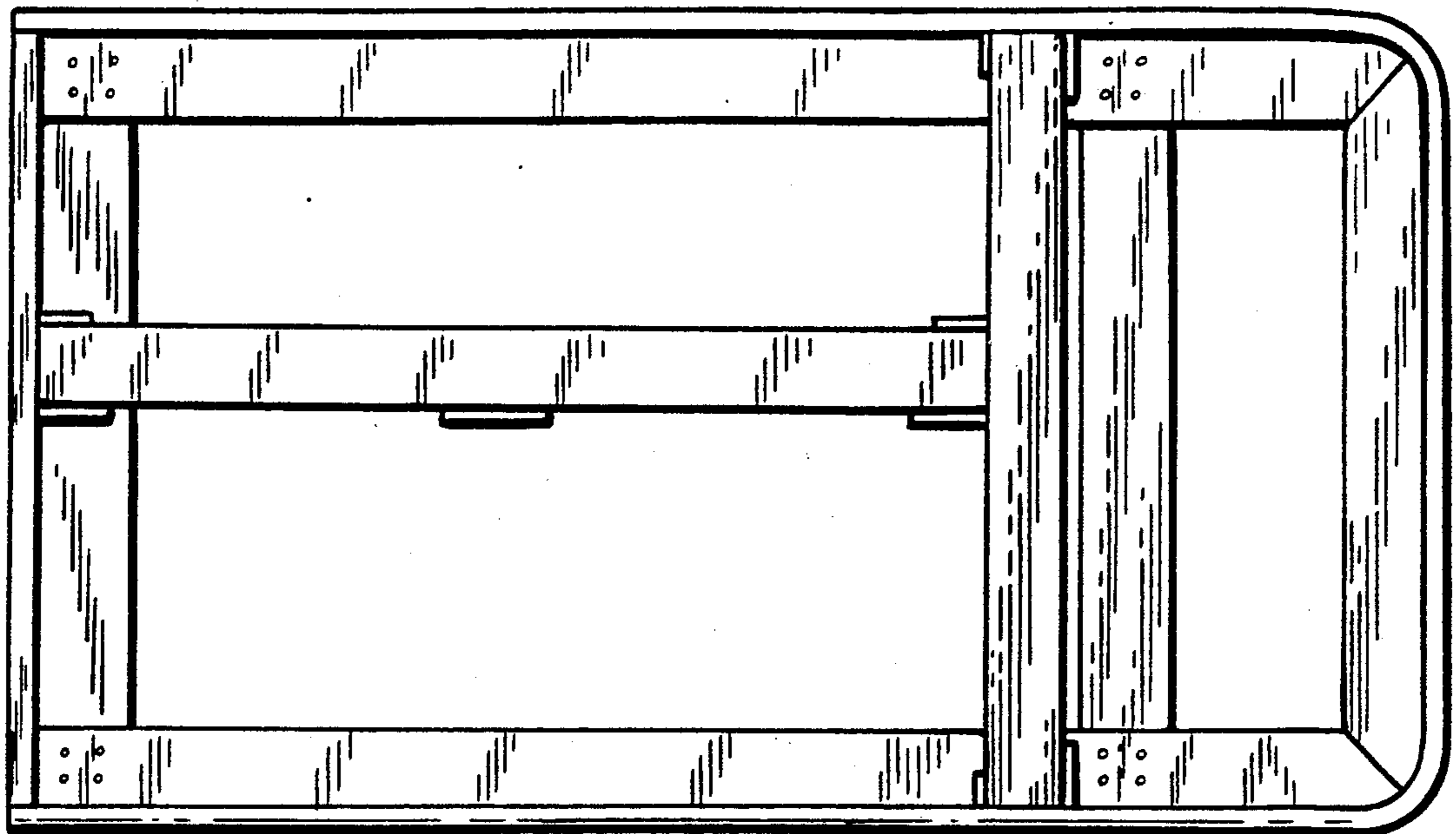


FIG. 2

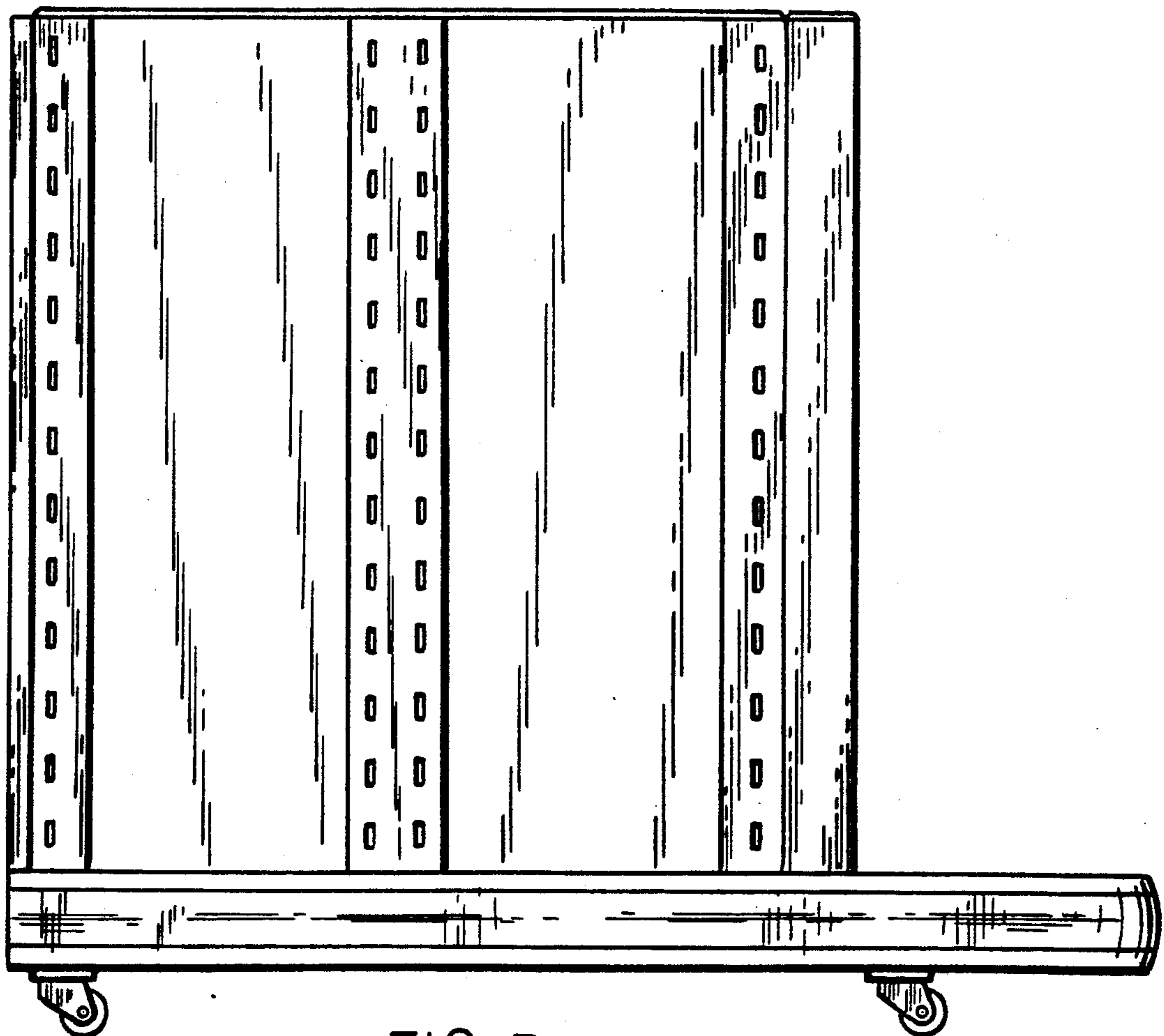


FIG. 3

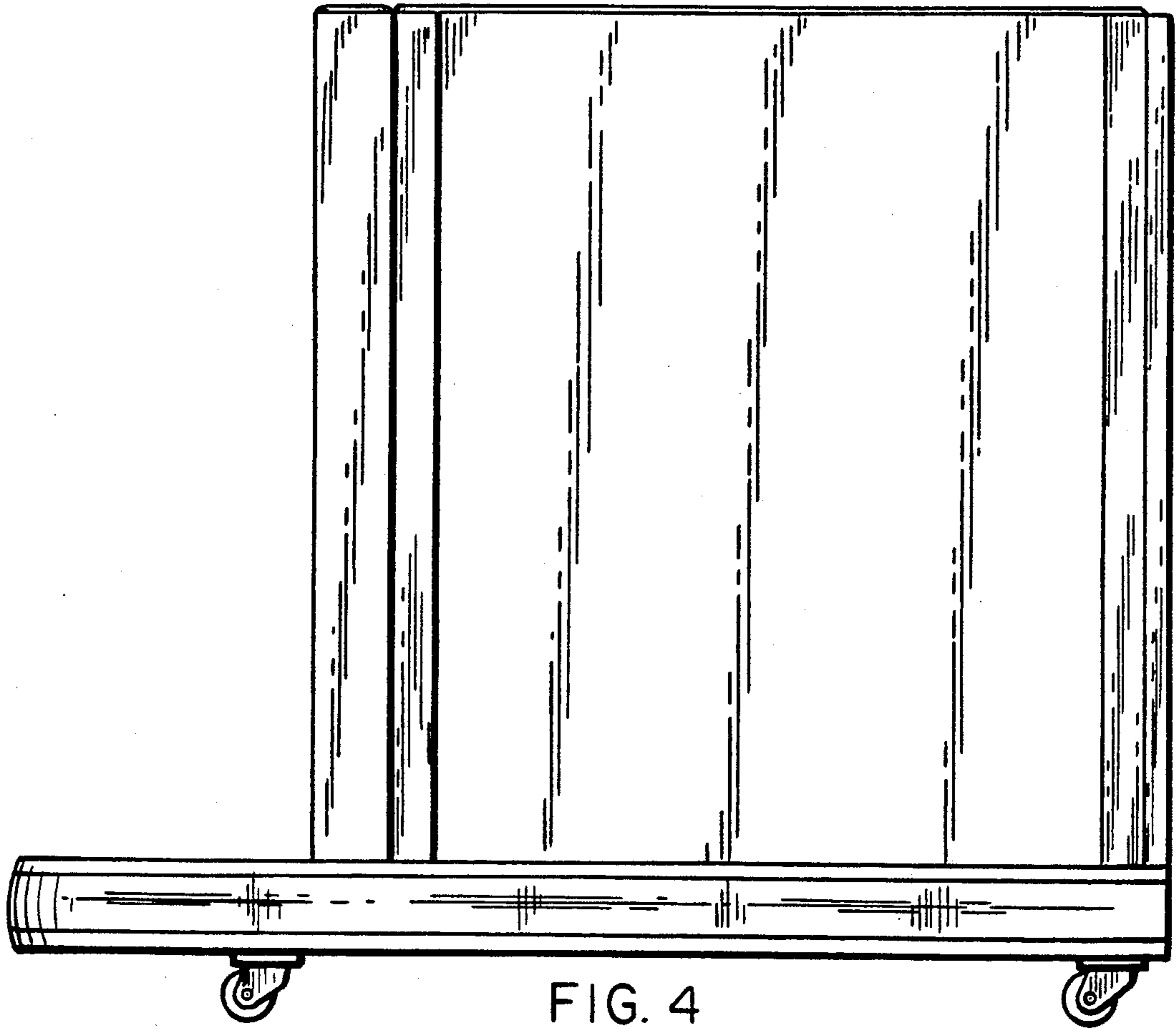


FIG. 4

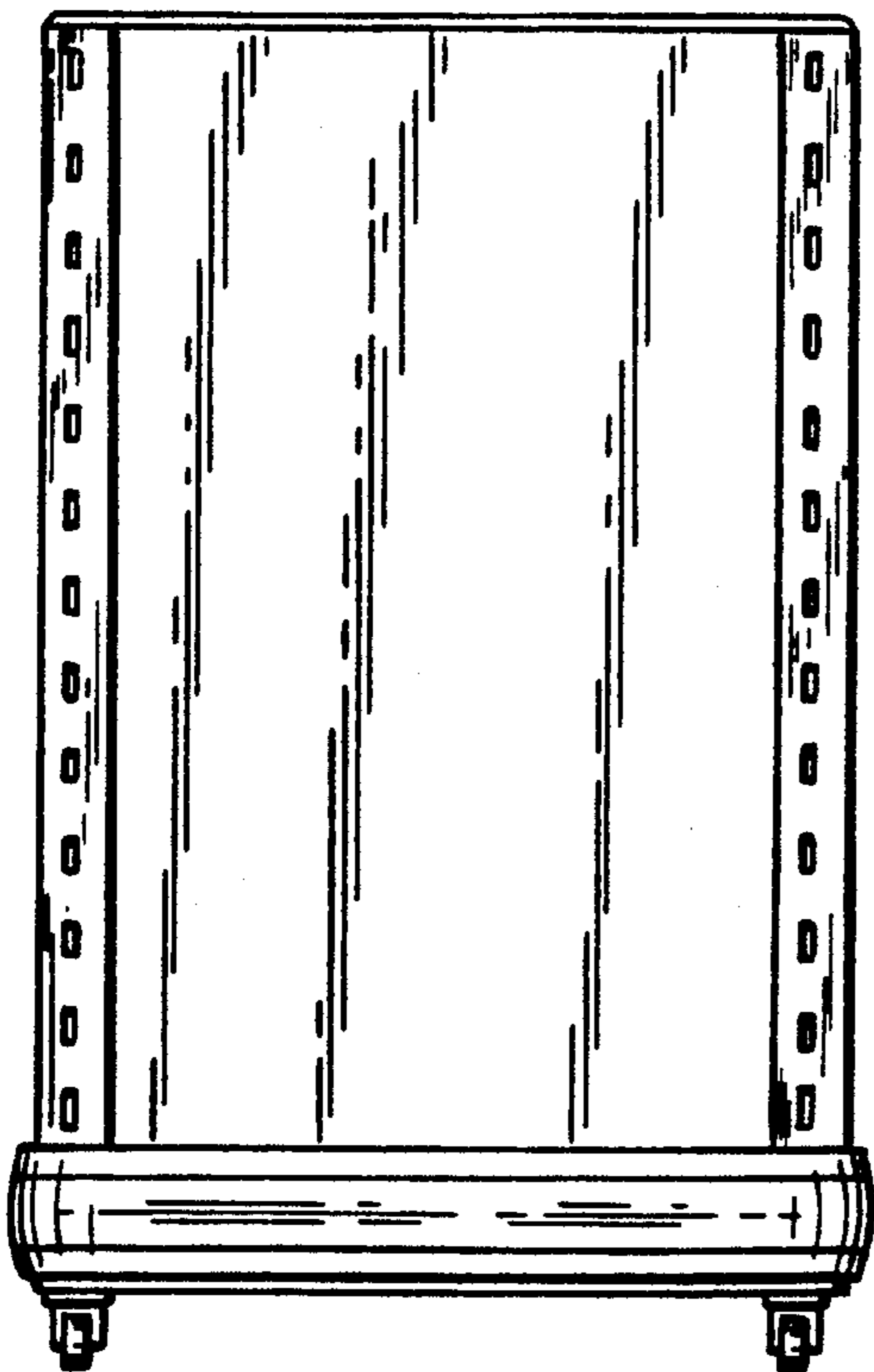


FIG. 5

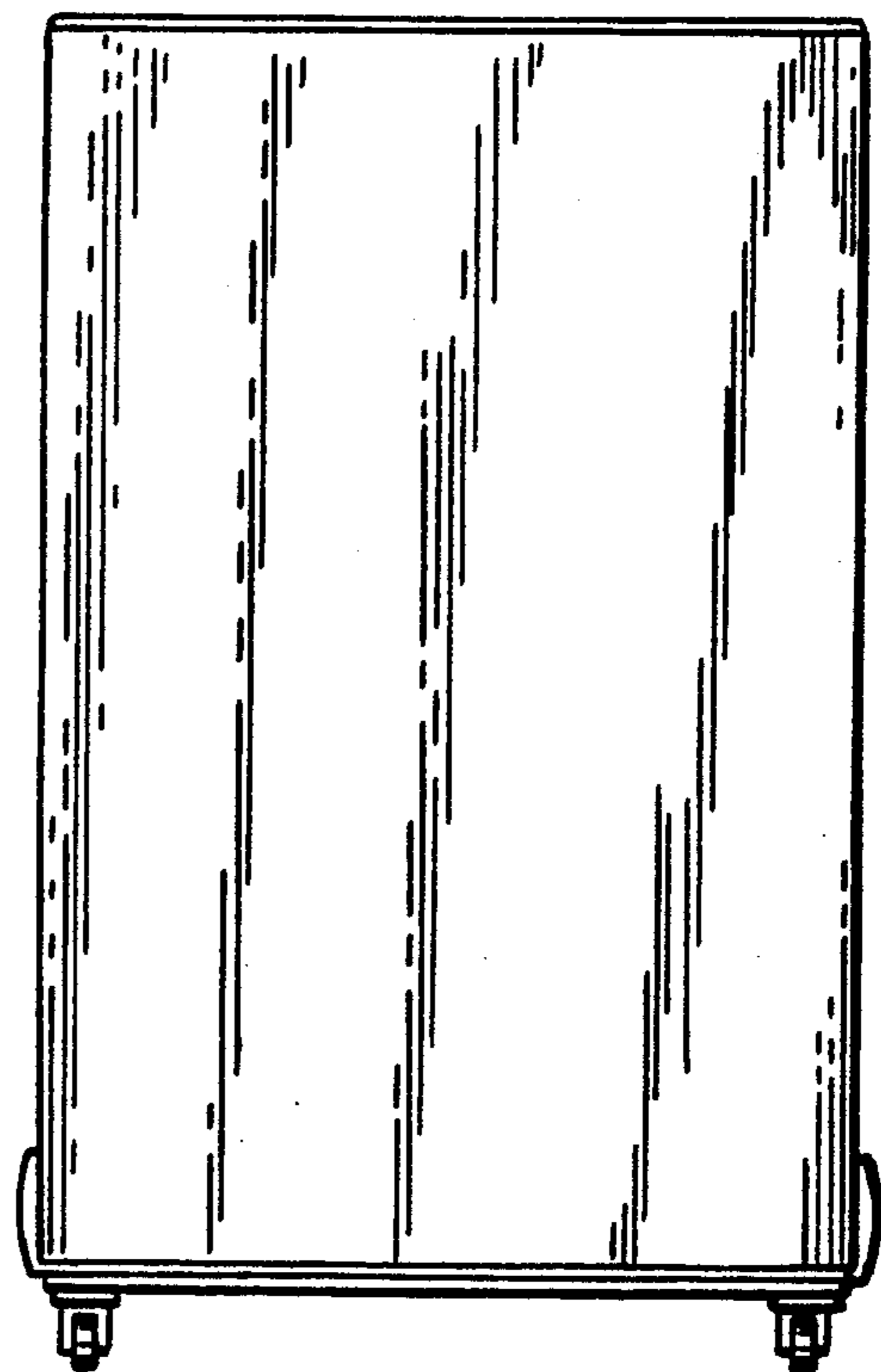


FIG. 6

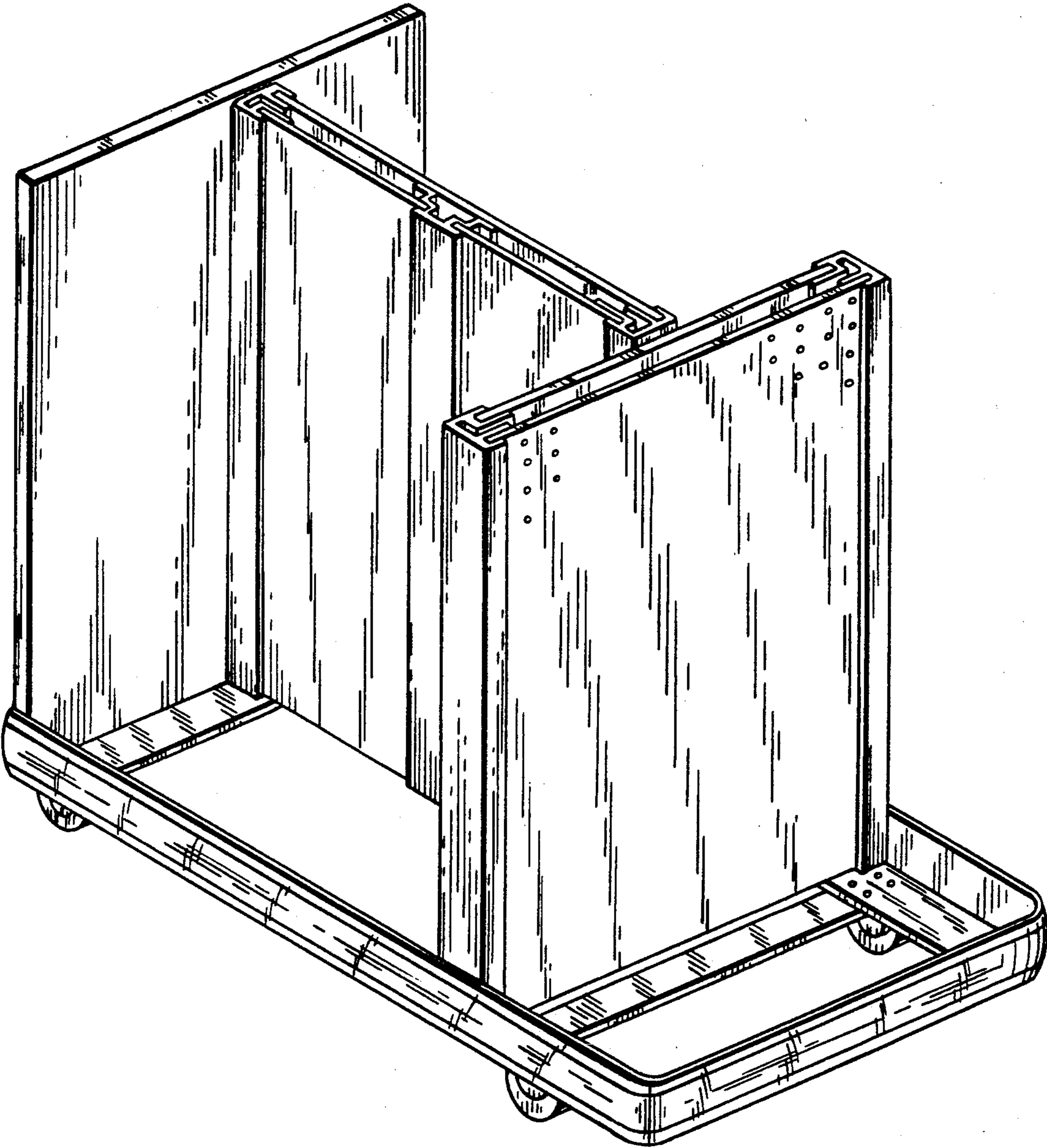


FIG. 7

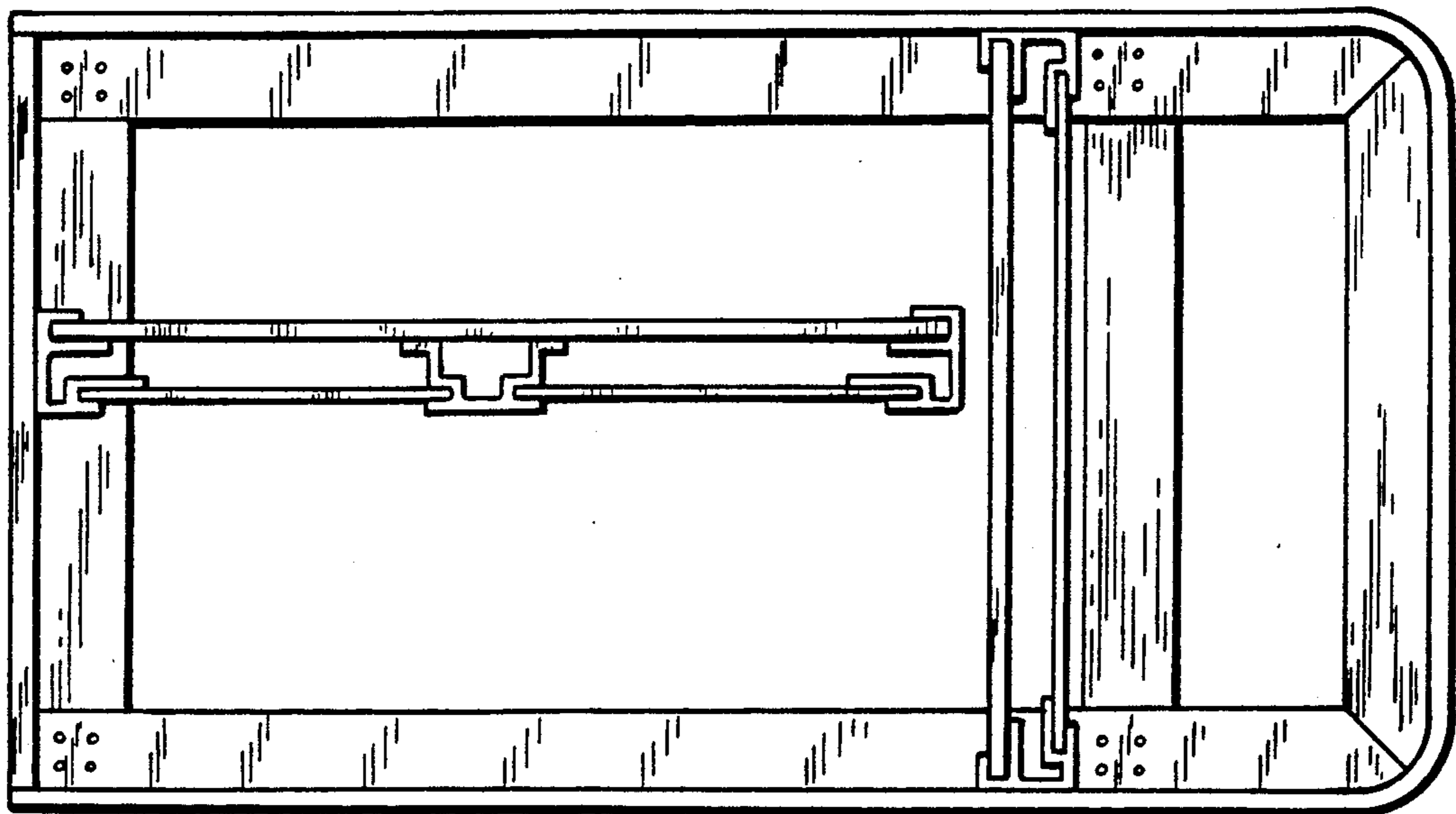


FIG. 8