



US00D336182S

# United States Patent [19]

[11] Patent Number: **Des. 336,182**

**Machut**

[45] Date of Patent: **\*\* Jun. 8, 1993**

[54] **MIRROR SUPPORT STAND**

[75] Inventor: **Daniel M. Machut, Torrance, Calif.**

[73] Assignee: **Ultimate Reflections, Torrance, Calif.**

[\*\*] Term: **14 Years**

[21] Appl. No.: **668,413**

[22] Filed: **Mar. 11, 1991**

[52] U.S. Cl. .... **D6/467; D6/310; D6/407**

[58] Field of Search ..... **D6/407, 449, 300, 301, D6/310, 466-468, 475, 476; D19/83, 85; 248/450, 454, 473, 477, 444.1, 460; 211/41, 13; D7/396.6; D3/35**

1,768,675 7/1930 Egan .  
 2,461,421 2/1949 Jacobus ..... 248/477 X  
 2,505,615 4/1950 Glass .  
 2,939,586 7/1960 Dumaine ..... 211/41  
 3,272,183 9/1966 Craighead et al. .  
 3,282,437 11/1966 Hansen .  
 4,163,497 8/1979 McEwen .  
 4,552,382 11/1985 Cowden .  
 4,685,647 8/1987 Calhoun .

*Primary Examiner*—Alan P. Douglas  
*Assistant Examiner*—Jeffery Asch  
*Attorney, Agent, or Firm*—Michael J. Folise

### [57] CLAIM

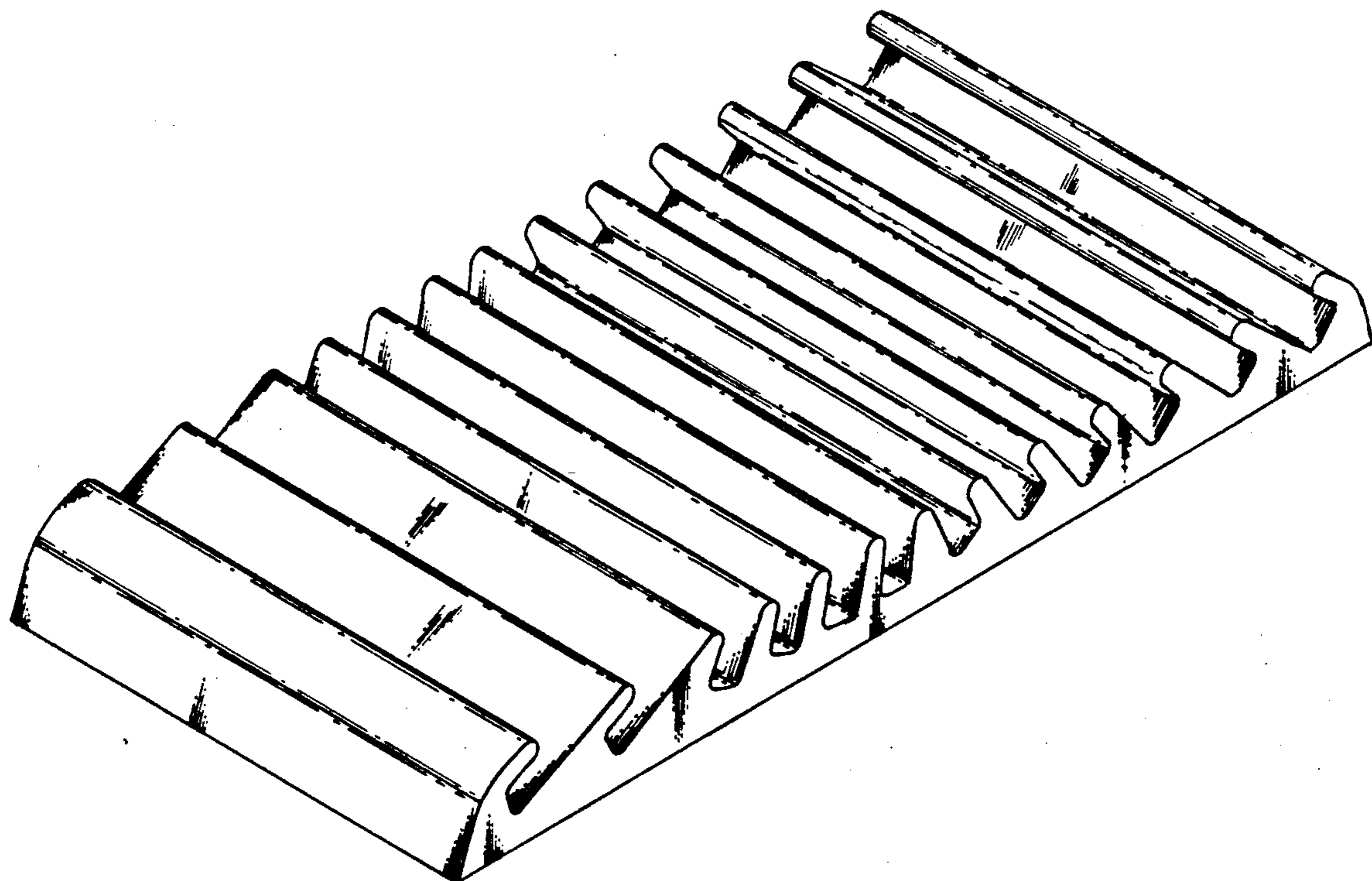
The ornamental design for a mirror support stand, as shown and described.

### DESCRIPTION

FIG. 1 is a top, side and front perspective view of a mirror support stand showing my new design;  
 FIG. 2 is a top plan view of the mirror support stand;  
 FIG. 3 is a side elevational view of the mirror support stand;  
 FIG. 4 is a front elevational view of the mirror support stand;  
 FIG. 5 is a rear elevational view of the mirror support stand; and,  
 FIG. 6 is a bottom plan view of the mirror support stand.

[56] **References Cited**  
**U.S. PATENT DOCUMENTS**

D. 132,985	7/1942	Lyons .....	D6/449
D. 152,389	1/1949	Bennett .....	D6/468
D. 153,668	5/1949	Craighead .....	D6/310
D. 216,605	2/1970	Brindley .....	D6/467
D. 236,059	7/1975	Gutierrez .....	D6/467 X
D. 258,511	3/1981	Ashton .....	D6/468 X
D. 276,110	10/1984	Savelkouls .....	D6/467
D. 279,583	7/1985	Hall .....	D19/83 X
D. 321,607	11/1991	Sheung .....	D6/407



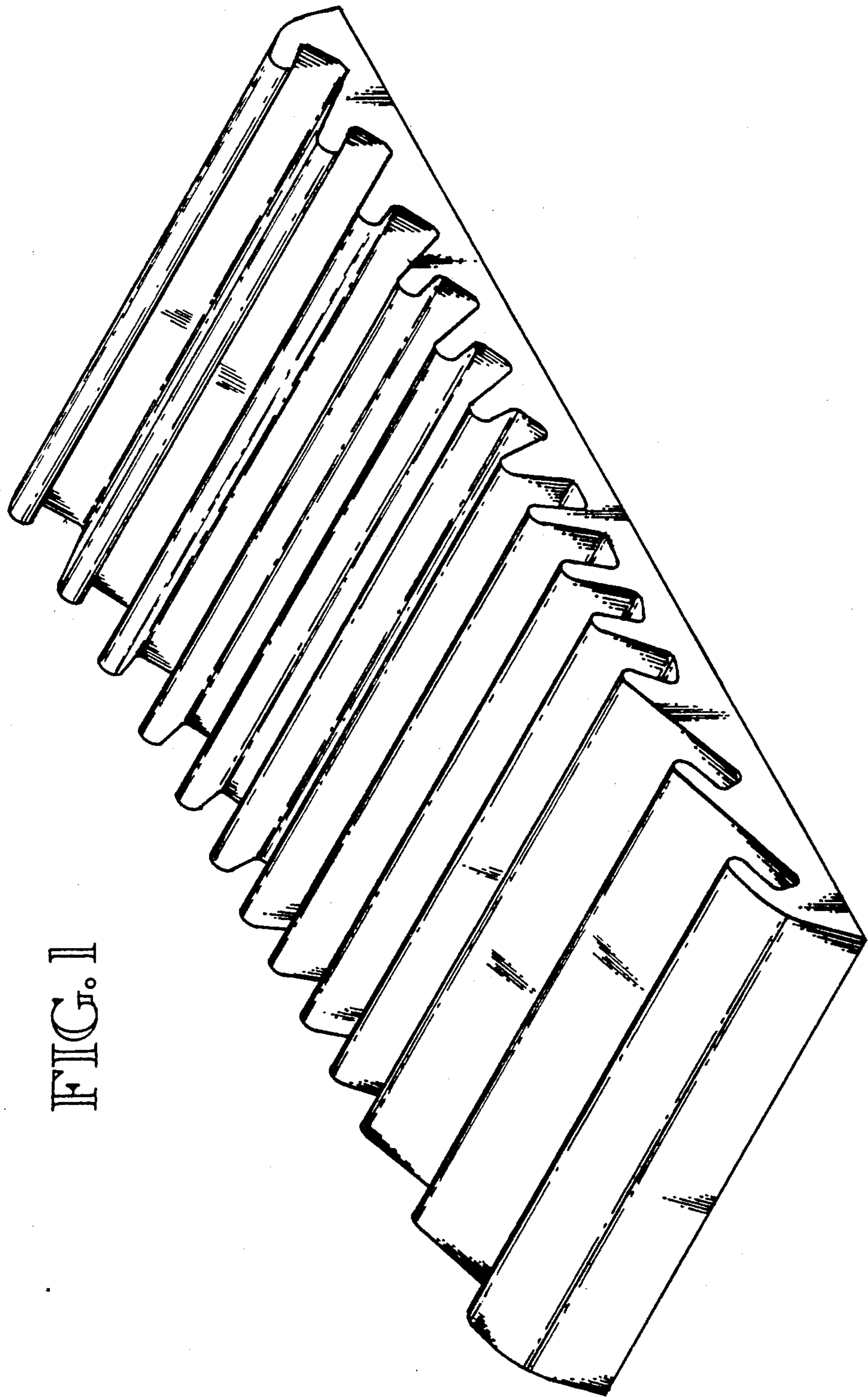
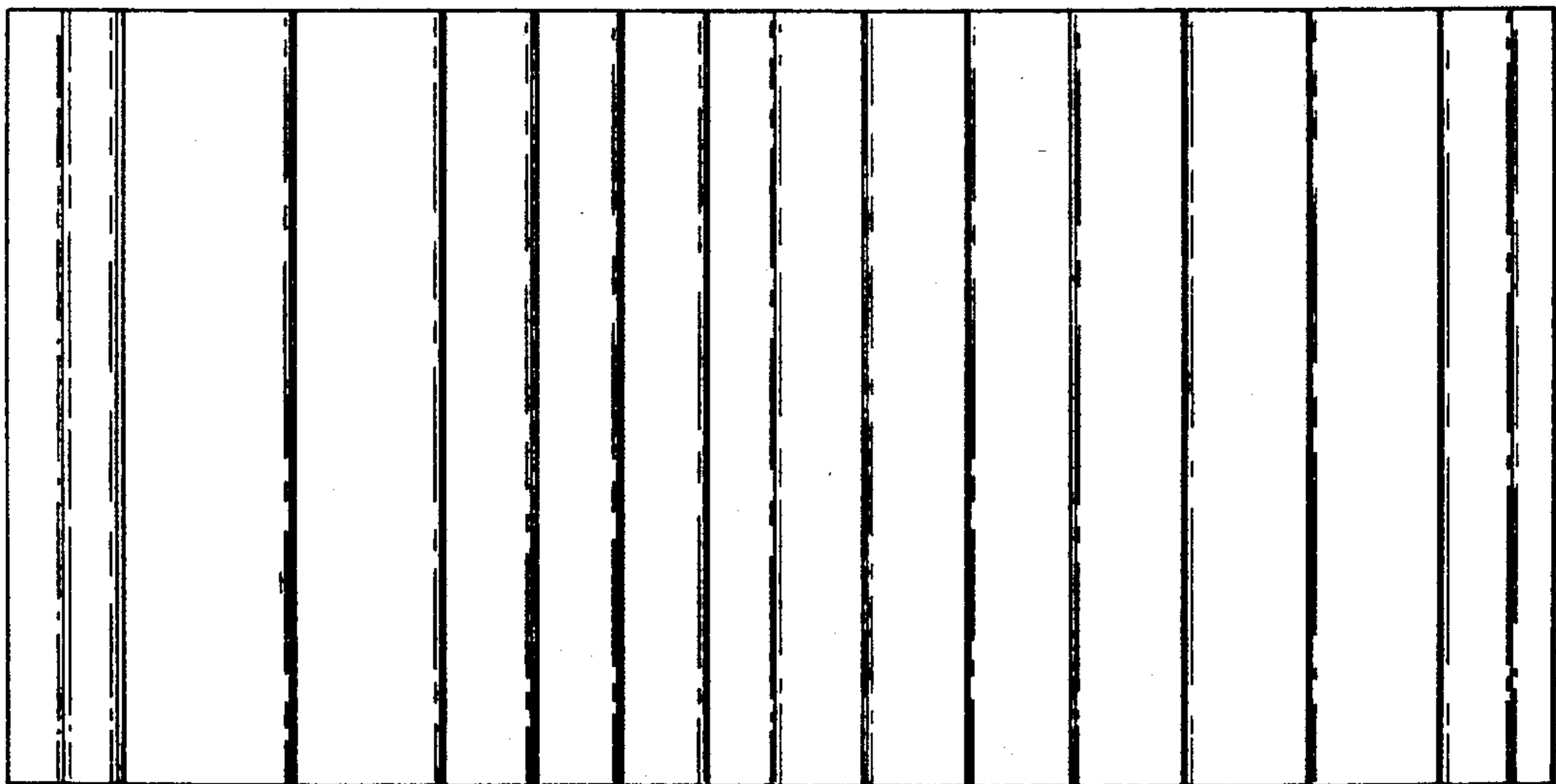


FIG. 1

FIG. 2



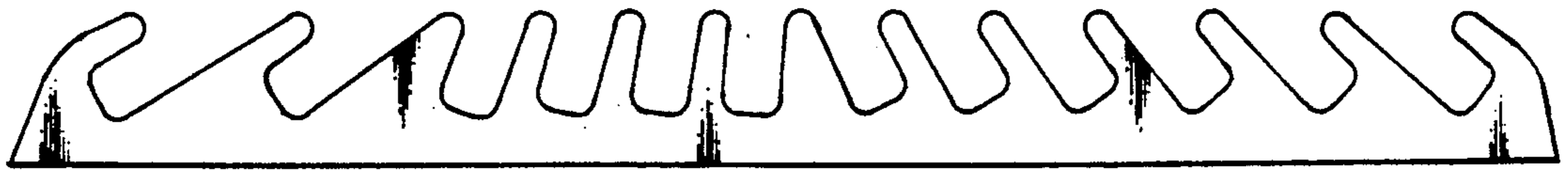


FIG. 3

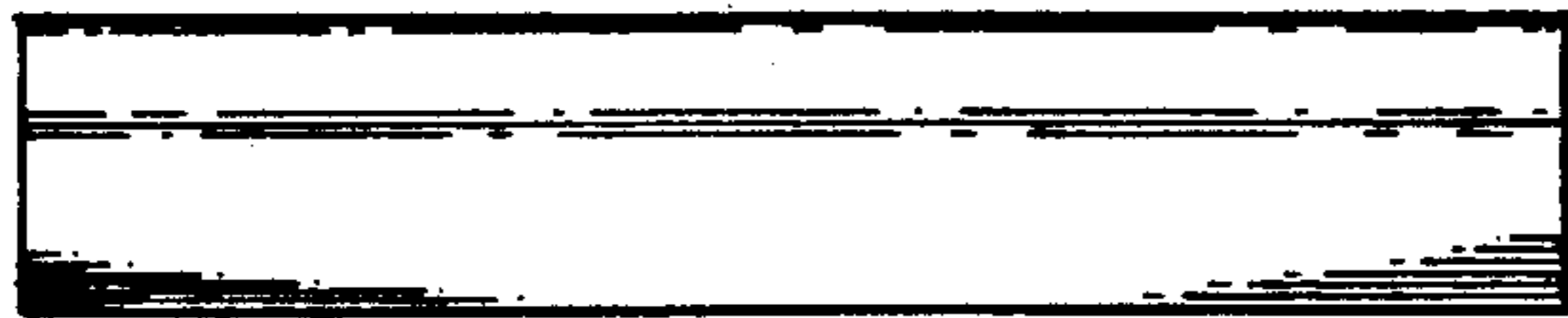


FIG. 4

FIG. 5

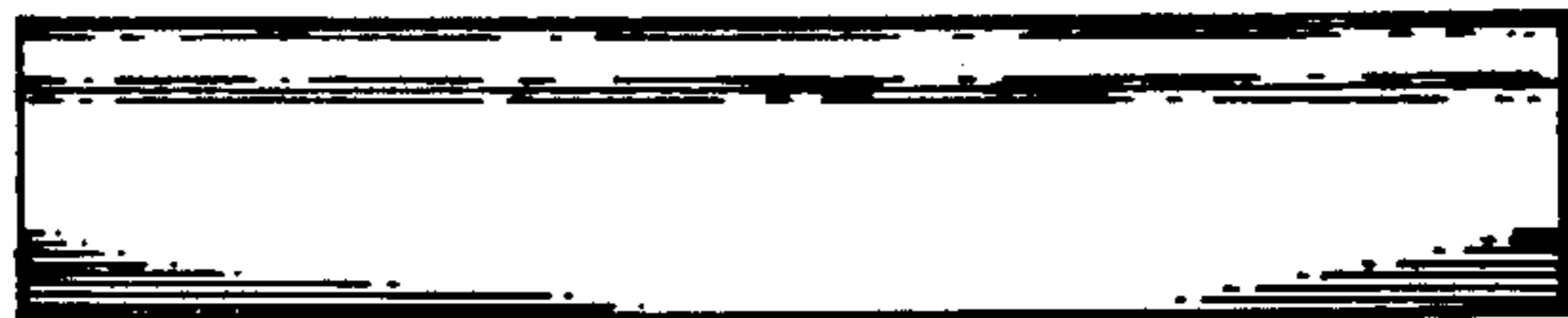


FIG. 6

