



US00D336175S

# United States Patent [19]

[11] Patent Number: **Des. 336,175**

Van Pinkerton, Jr.

[45] Date of Patent: **\*\* Jun. 8, 1993**

[54] TELEPHONE ENCLOSURE

D. 212,081	8/1968	Dreyfuss et al. ....	D25/16
D. 263,101	2/1982	George et al. ....	D6/421
D. 319,550	9/1991	Nichols et al. ....	D6/421

[75] Inventor: **Stevens Van Pinkerton, Jr., St. Joseph, Mo.**

*Primary Examiner*—Carmen H. Vales-Lado  
*Attorney, Agent, or Firm*—Michael Yakimo, Jr.; D. A. N. Chase; Richard P. Stitt

[73] Assignee: **Acoustics Development Corporation, St. Joseph, Mo.**

[\*\*] Term: **14 Years**

[57] **CLAIM**

[21] Appl. No.: **576,717**

The ornamental design for a telephone enclosure, as shown and described.

[22] Filed: **Sep. 4, 1990**

[52] U.S. Cl. .... **D6/421**

**DESCRIPTION**

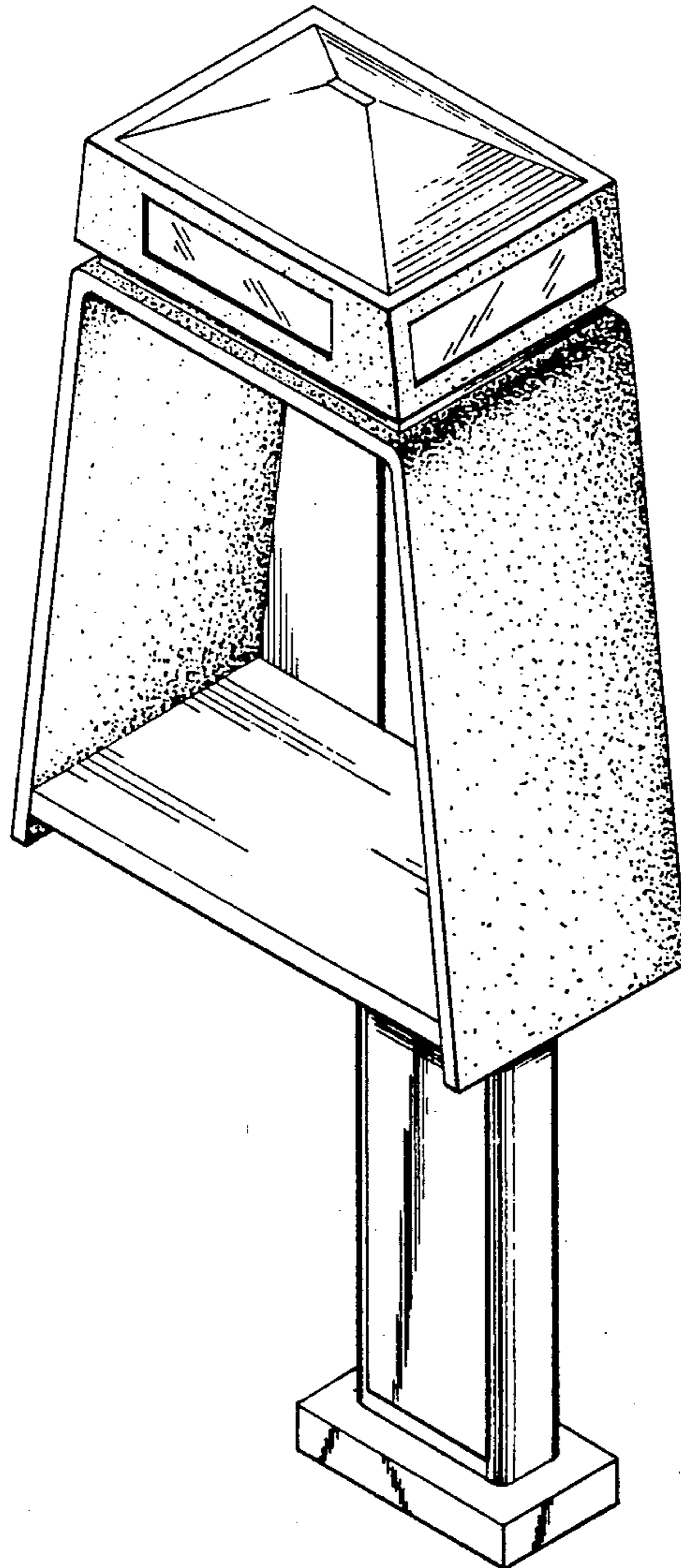
[58] Field of Search ..... D6/421; D25/16; D20/19, D20/41; D26/67, 68, 72, 86, 88-89, 120, 123, 124, 51, 52; 52/27, 28; 312/216

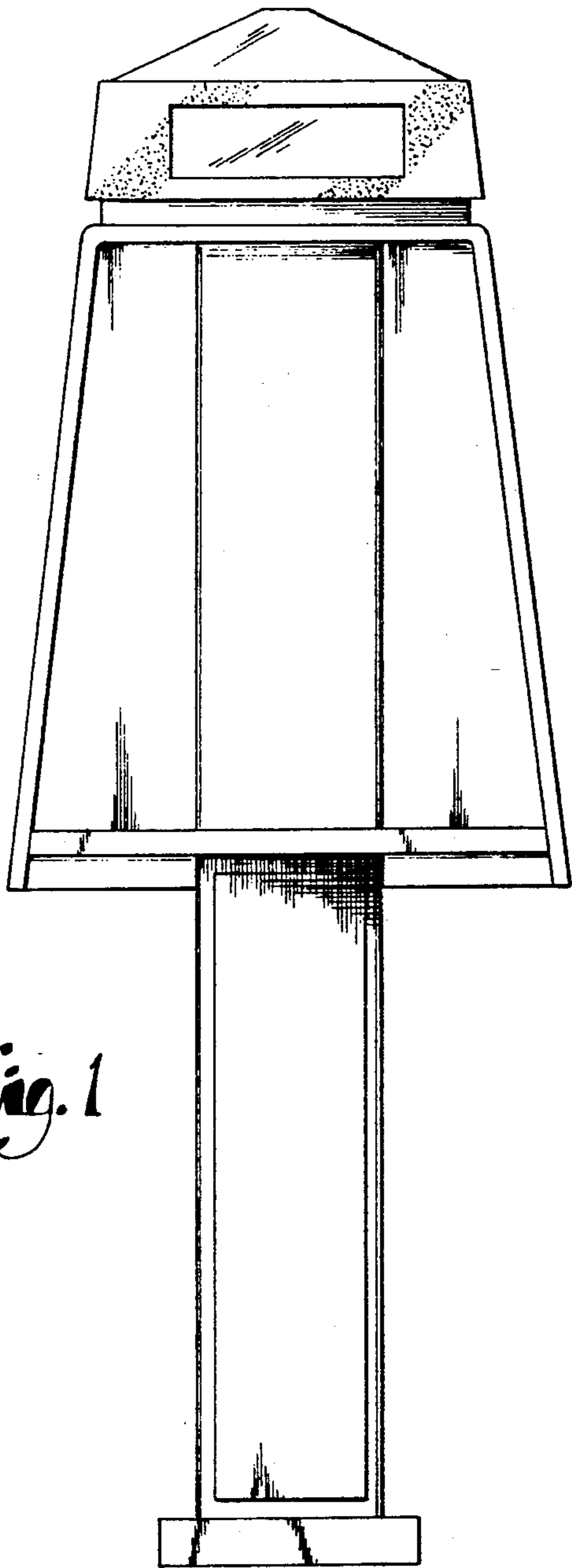
FIG. 1 is a front elevational view of a telephone enclosure showing my new design;  
FIG. 2 is a rear elevational view thereof;  
FIG. 3 is a front perspective view thereof;  
FIG. 4 is a top plan view thereof; and,  
FIG. 5 is a right side elevational view thereof, the left side being a mirror image.

[56] **References Cited**

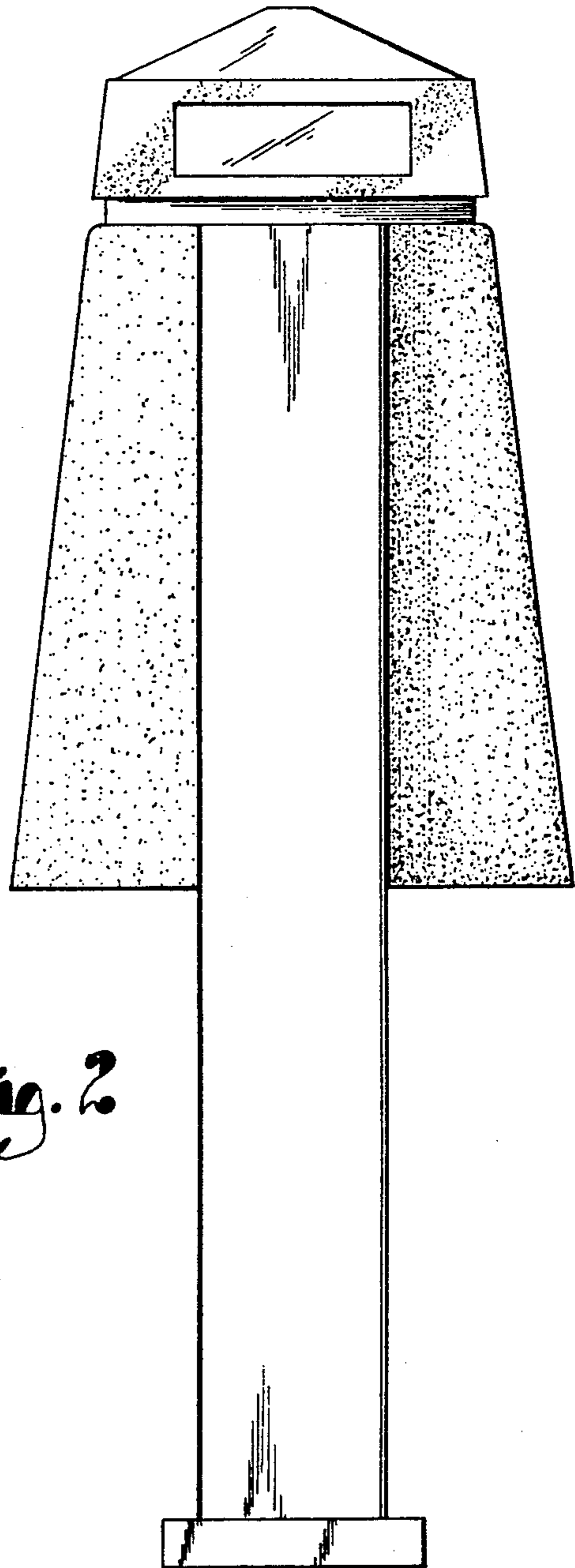
**U.S. PATENT DOCUMENTS**

D. 208,295 8/1967 Dreyfuss et al. .... D6/421 X

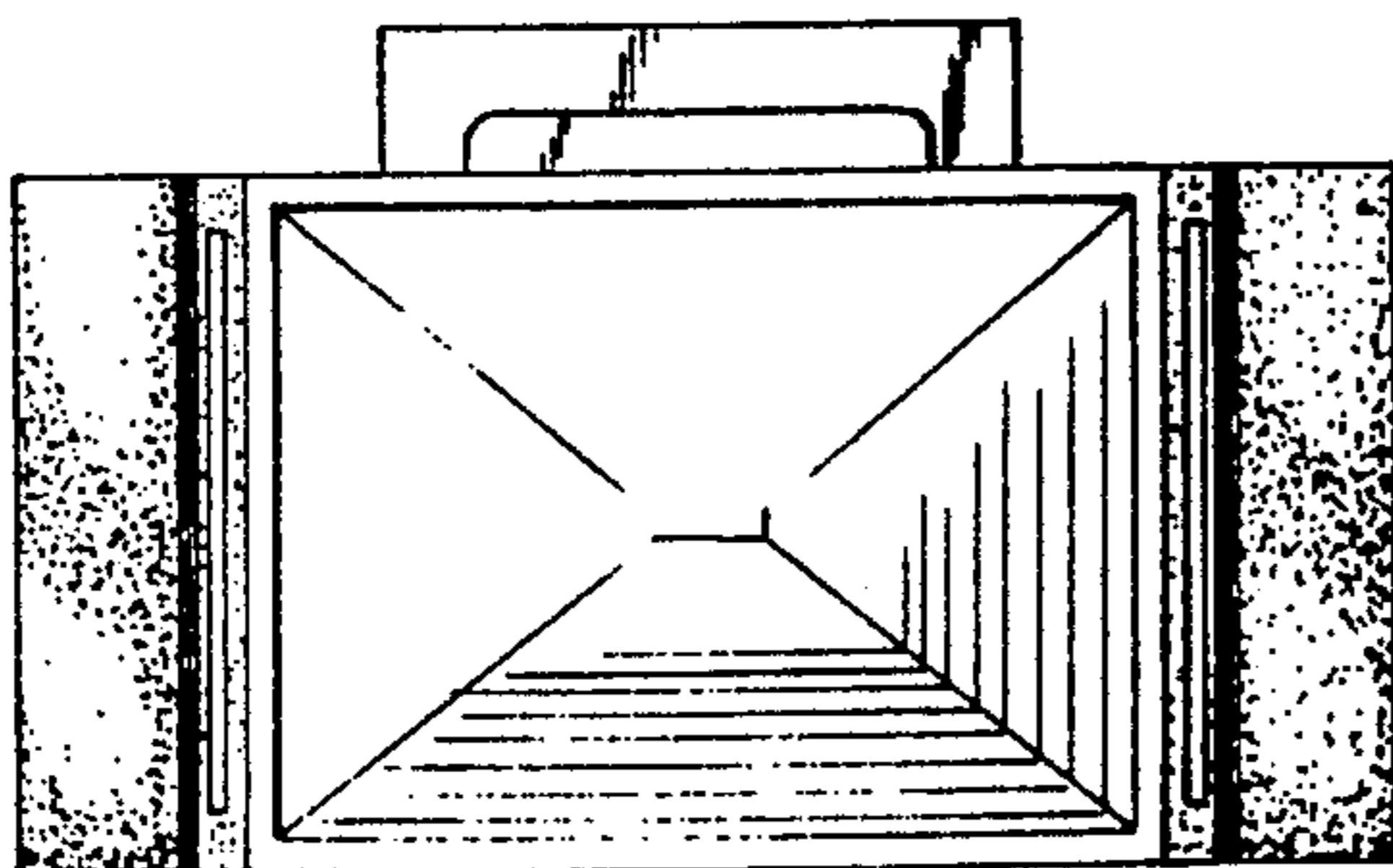




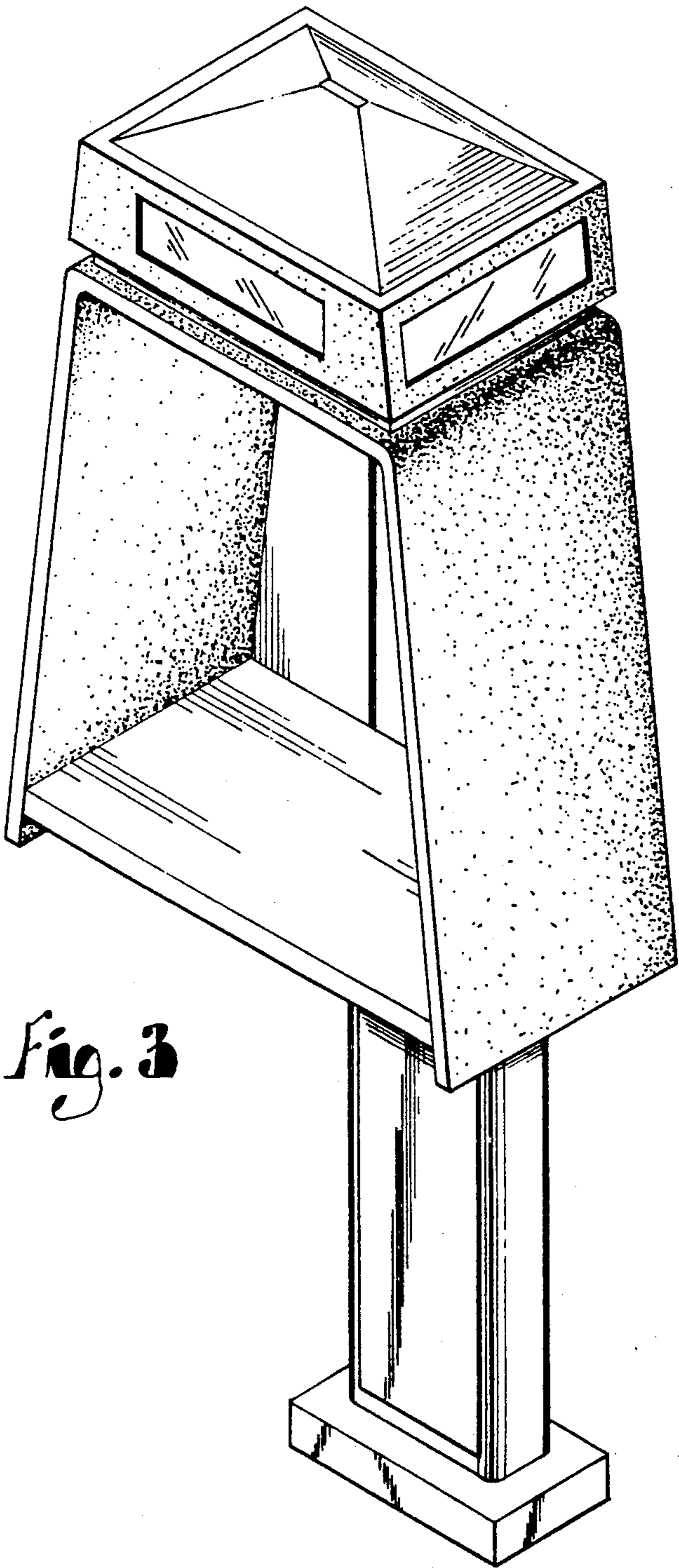
*Fig. 1*



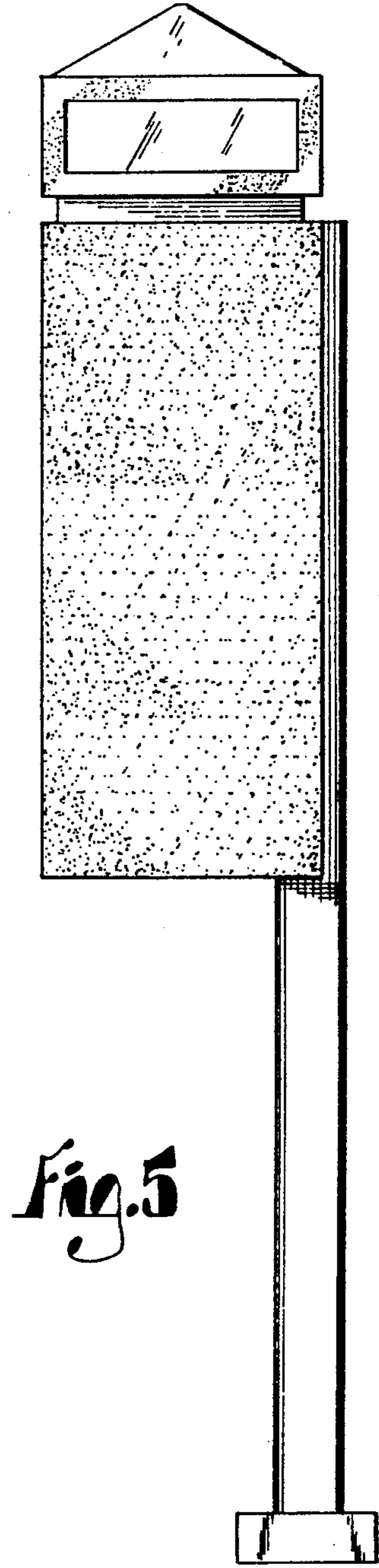
*Fig. 2*



*Fig. 4*



*Fig. 3*



*Fig. 5*