



US00D336165S

United States Patent [19]

[11] Patent Number: **Des. 336,165**

Tihany

[45] Date of Patent: **** Jun. 8, 1993**

[54] **CHAIR**

[75] Inventor: **Adam Tihany, New York, N.Y.**

[73] Assignee: **The Pace Collection, Inc., Long Island City, N.Y.**

[**] Term: **14 Years**

[21] Appl. No.: **670,216**

[22] Filed: **Mar. 15, 1991**

[52] U.S. Cl. **D6/334; D6/363**

[58] Field of Search **D6/334, 363, 371, 372, D6/373, 374, 375, 500, 501, 502; 297/418, 445**

[56] **References Cited**

U.S. PATENT DOCUMENTS

D. 327,583 7/1992 Dettinger D6/334
4,131,314 12/1978 Knapp et al. 297 XR/445

OTHER PUBLICATIONS

Interiors, Jun. 1989, p. 137, settee shown at left of top right picture.

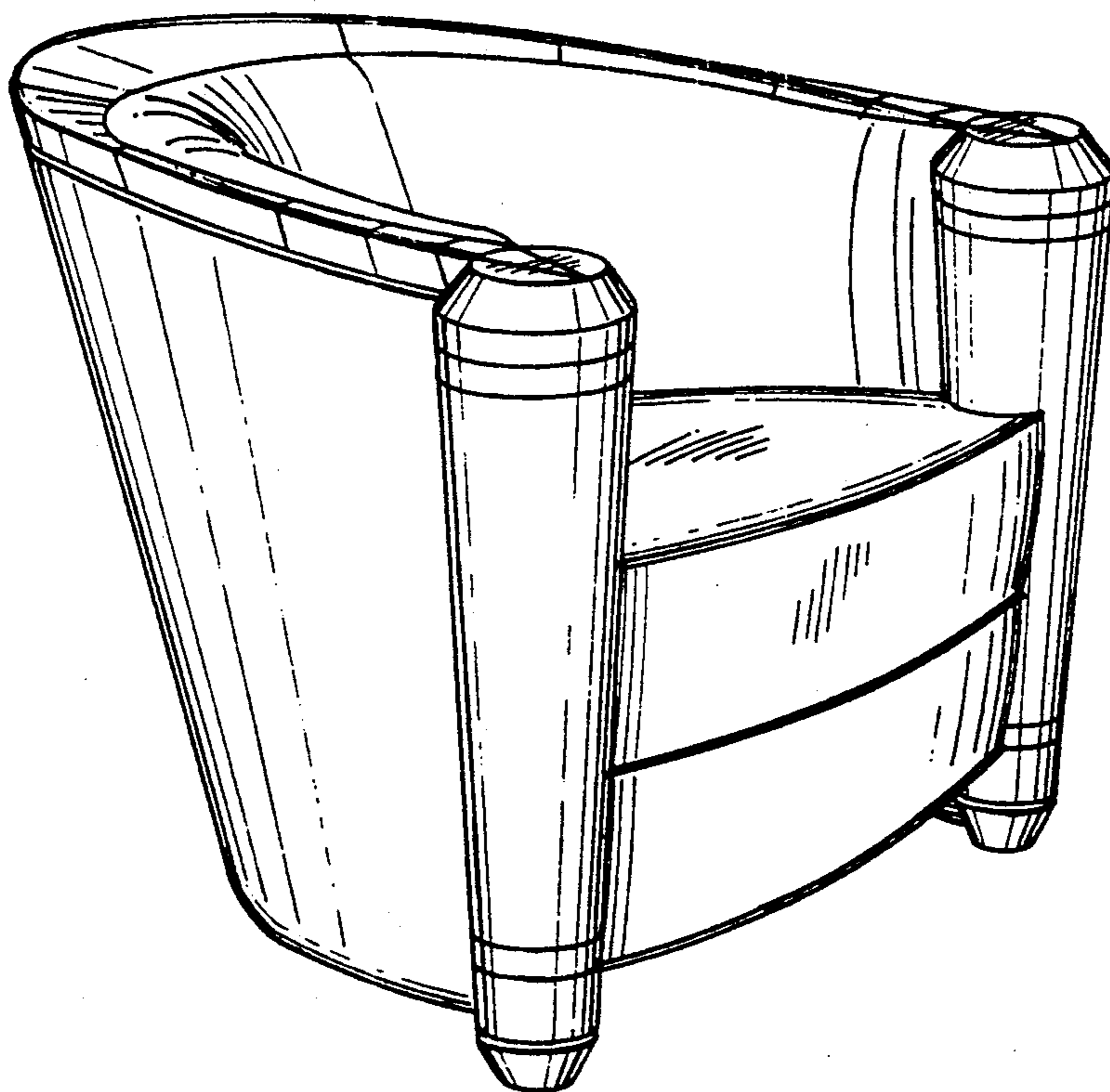
Primary Examiner—Alan P. Douglas
Assistant Examiner—Gary D. Watson
Attorney, Agent, or Firm—Darby & Darby

[57] **CLAIM**

The ornamental design for a chair, as shown and described.

DESCRIPTION

FIG. 1 is a top perspective view of a chair showing my new design;
FIG. 2 is a top plan view thereof;
FIG. 3 is a front elevational view thereof;
FIG. 4 is a left side elevational view thereof, the right side being a mirror image of the left side shown;
FIG. 5 is a bottom plan view thereof; and,
FIG. 6 is a rear elevational view.



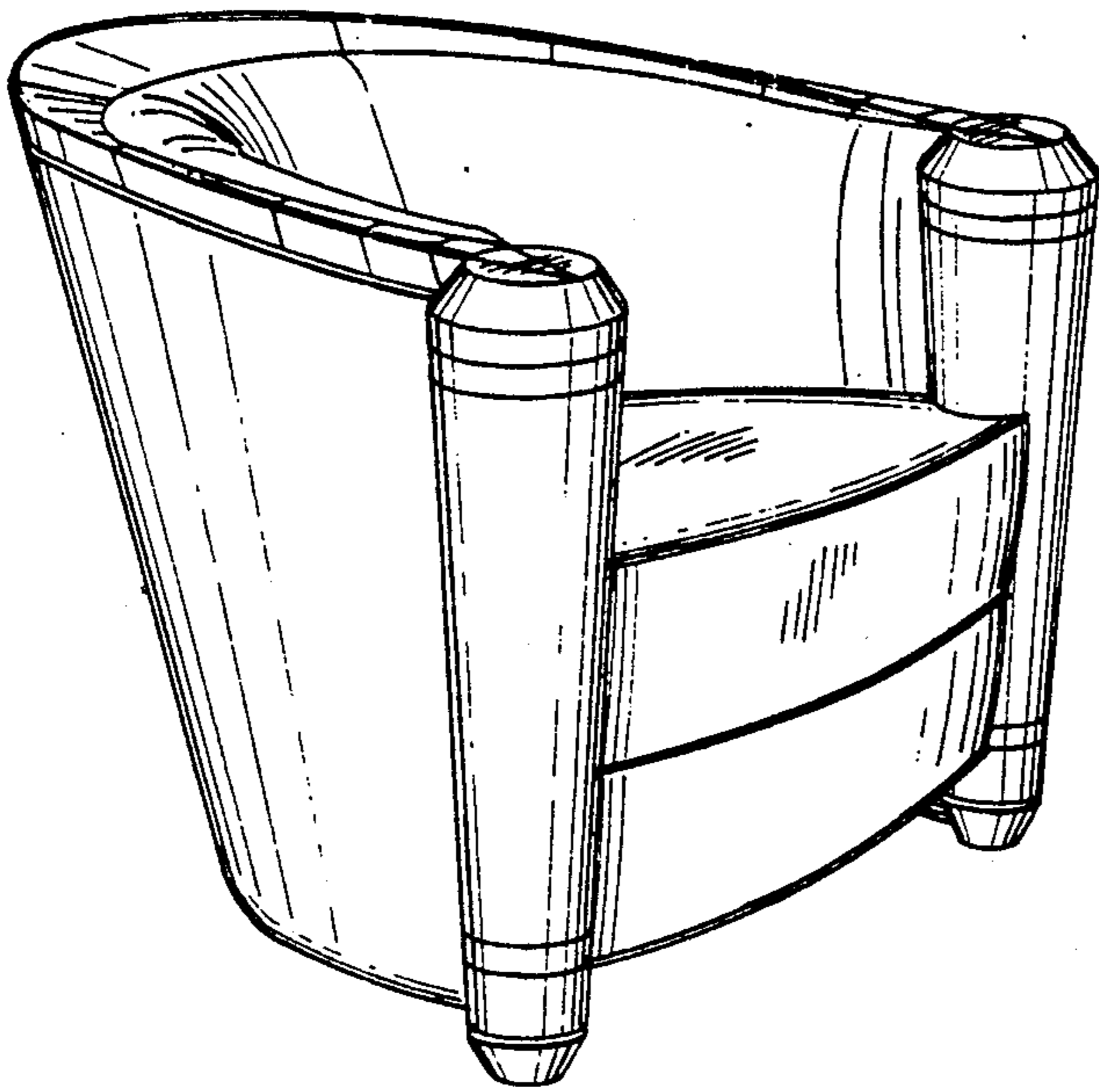


FIG. 1

FIG. 2

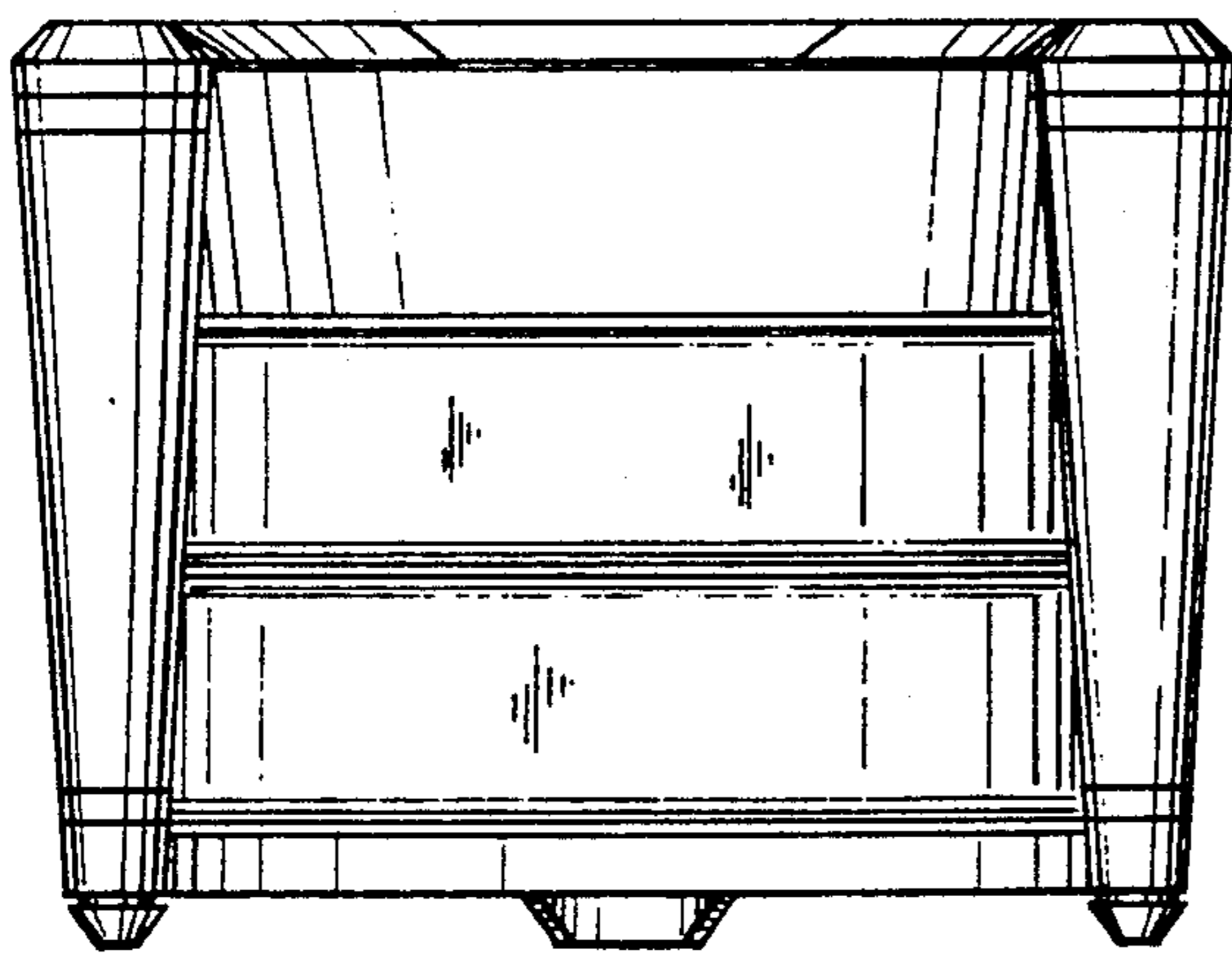
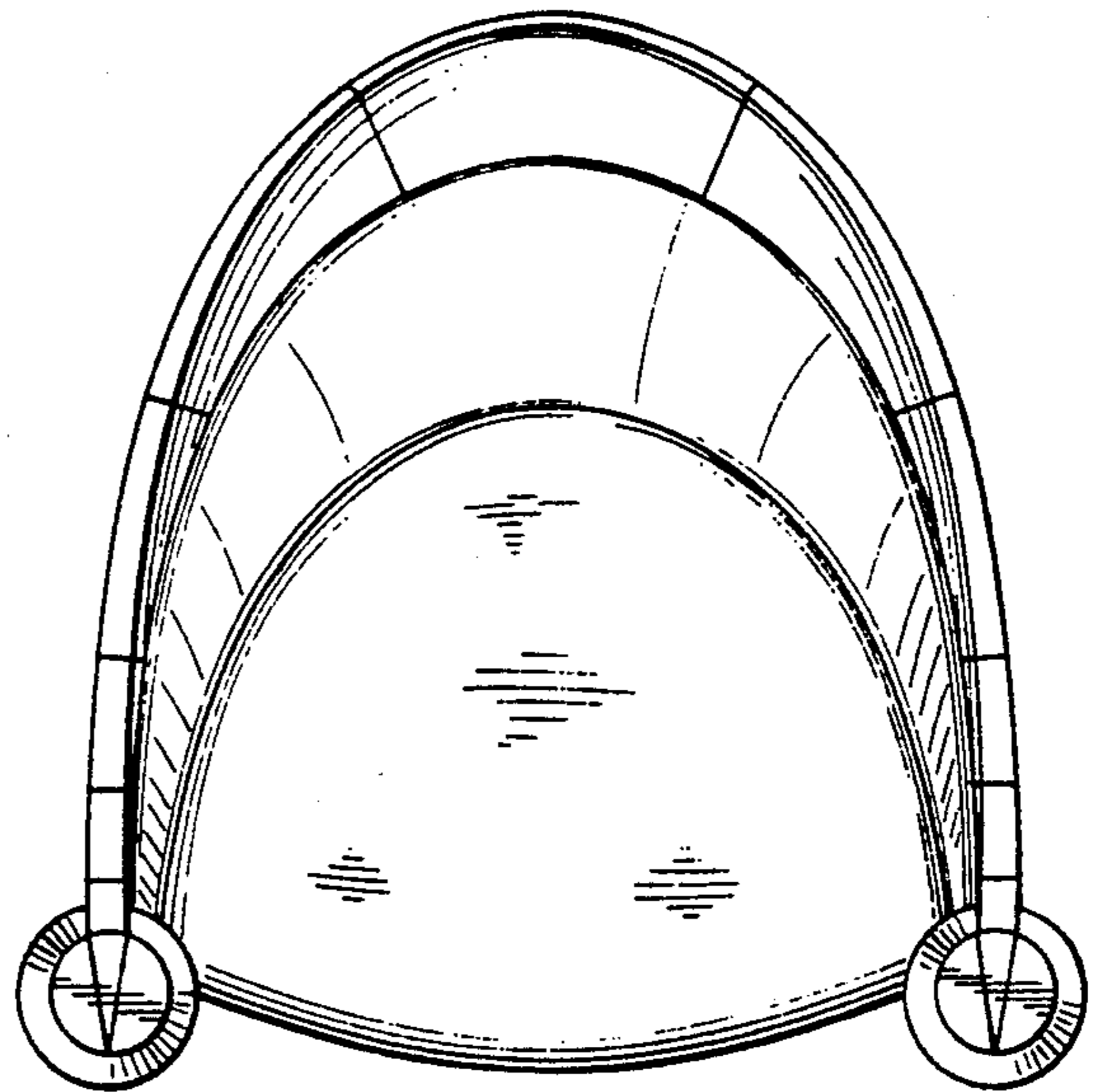


FIG. 3

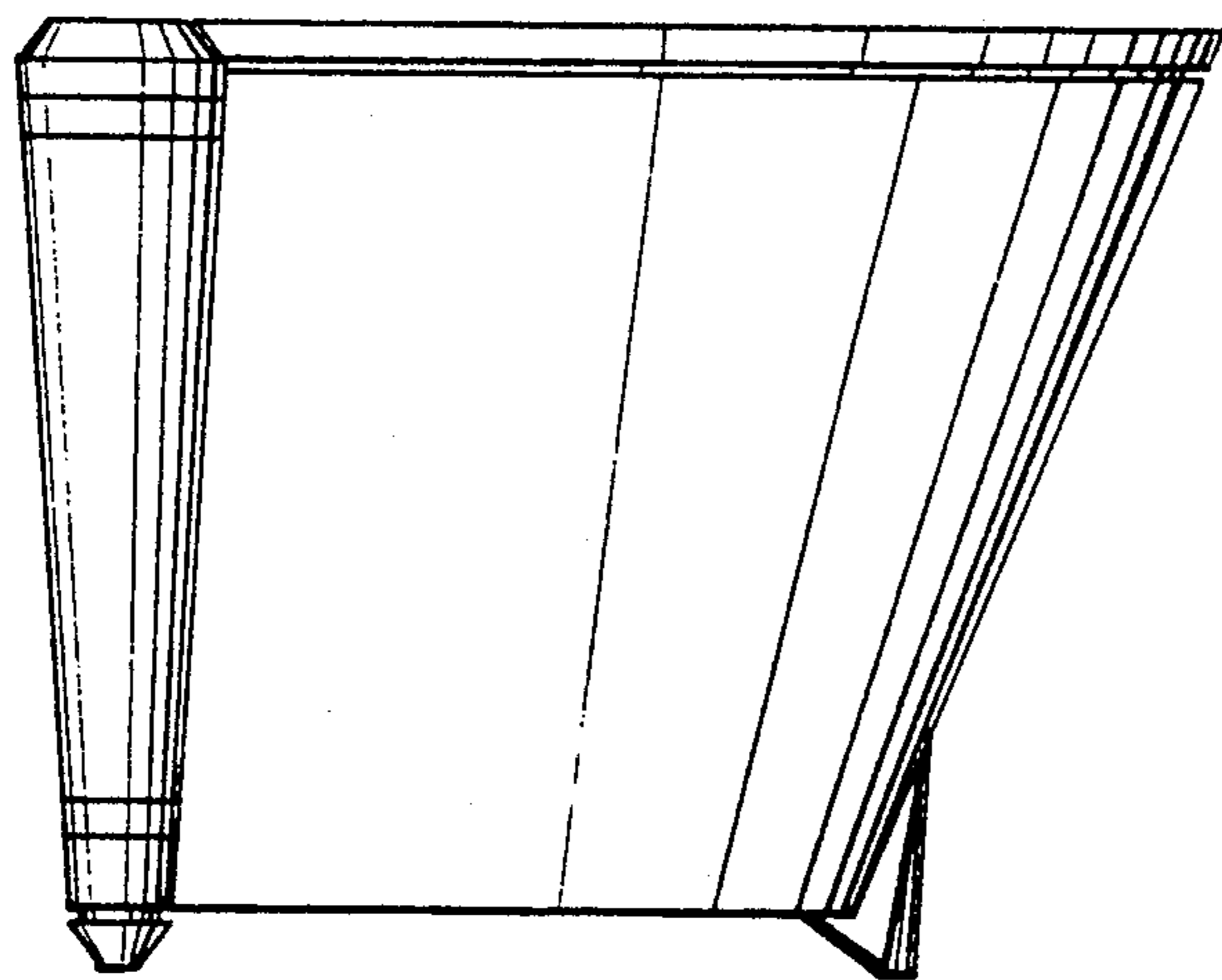


FIG. 4

FIG. 5

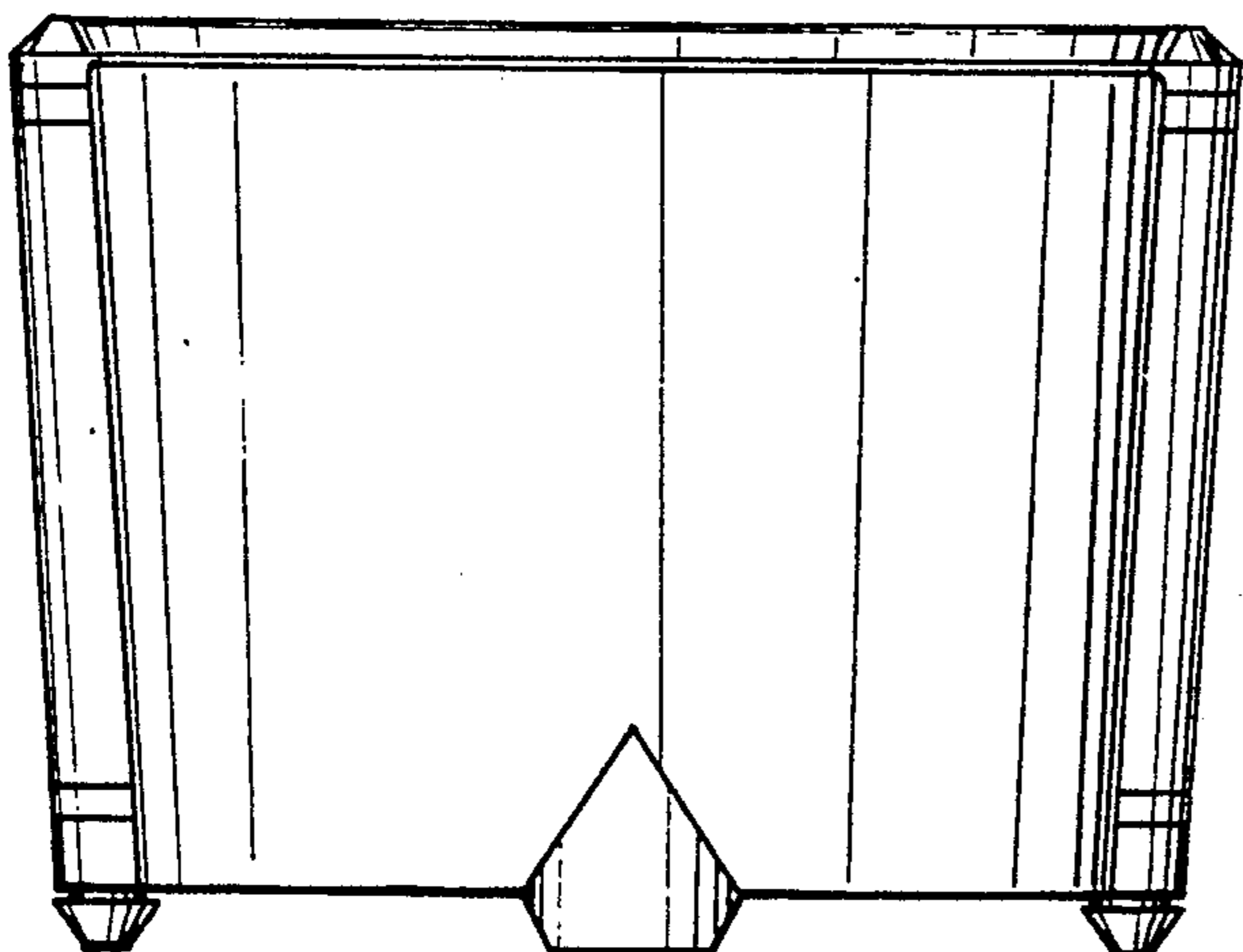
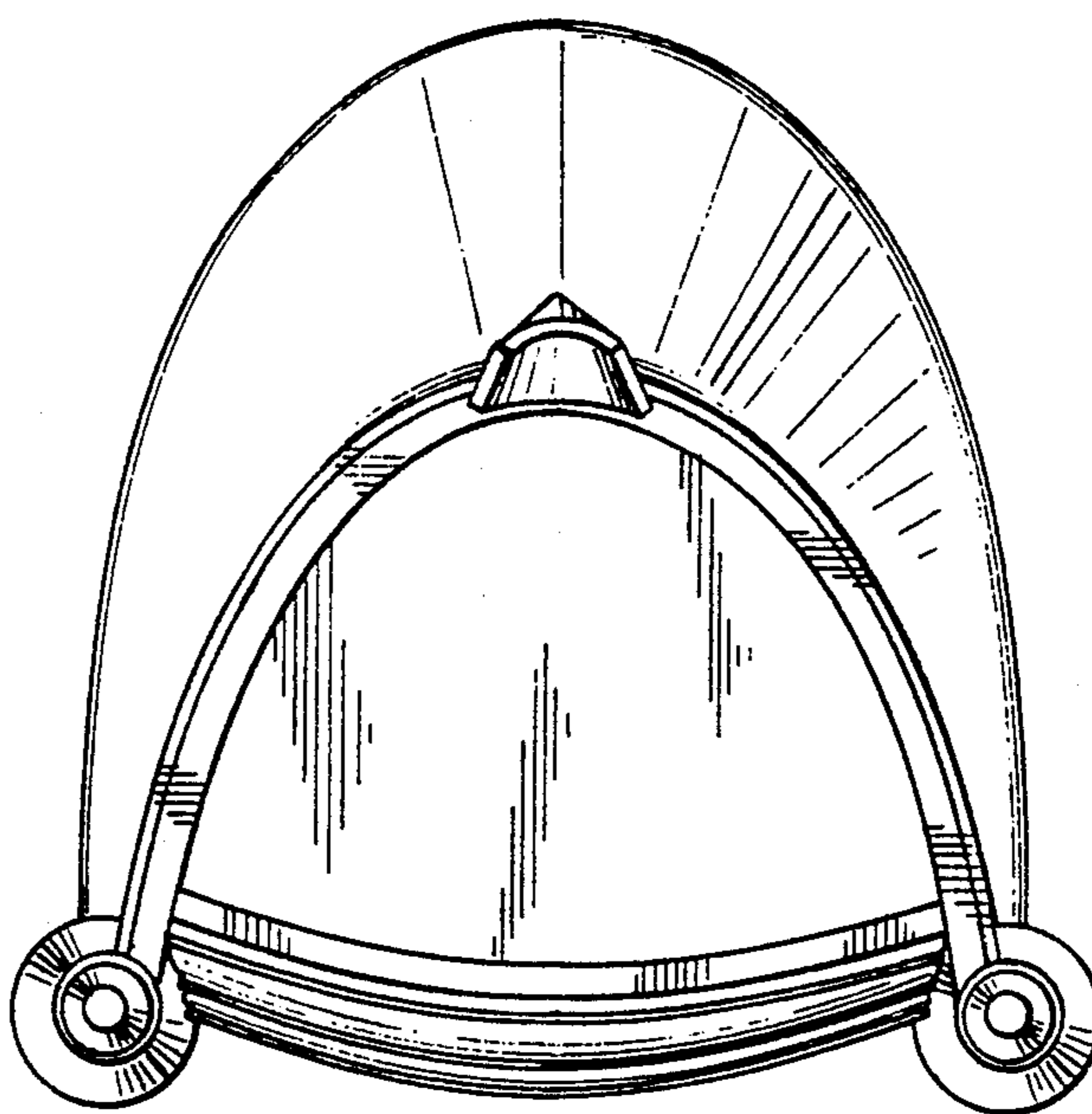


FIG. 6