



US00D336163S

United States Patent [19]

Yen

[11] Patent Number: **Des. 336,163**

[45] Date of Patent: **** Jun. 8, 1993**

[54] CLOTH ROLLER-CLEANER

[76] Inventor: **Chien-Min Yen, 5 Fl., No. 151, Sec. 4, Shinyi Rd., Taipei, Taiwan**

[**] Term: **14 Years**

[21] Appl. No.: **706,114**

[22] Filed: **May 24, 1991**

[52] U.S. Cl. **D4/122**

[58] Field of Search **D4/121-122, D4/137, 199; 15/104.001, 104.002, 230, 230.11; 29/110.5, 120**

[56] References Cited

U.S. PATENT DOCUMENTS

D. 206,258	11/1966	Roth	D4/122
D. 306,524	3/1990	Marshall	D4/122
D. 316,634	5/1991	Vetter	D4/116
2,592,969	4/1952	Stachowiak	15/104.002

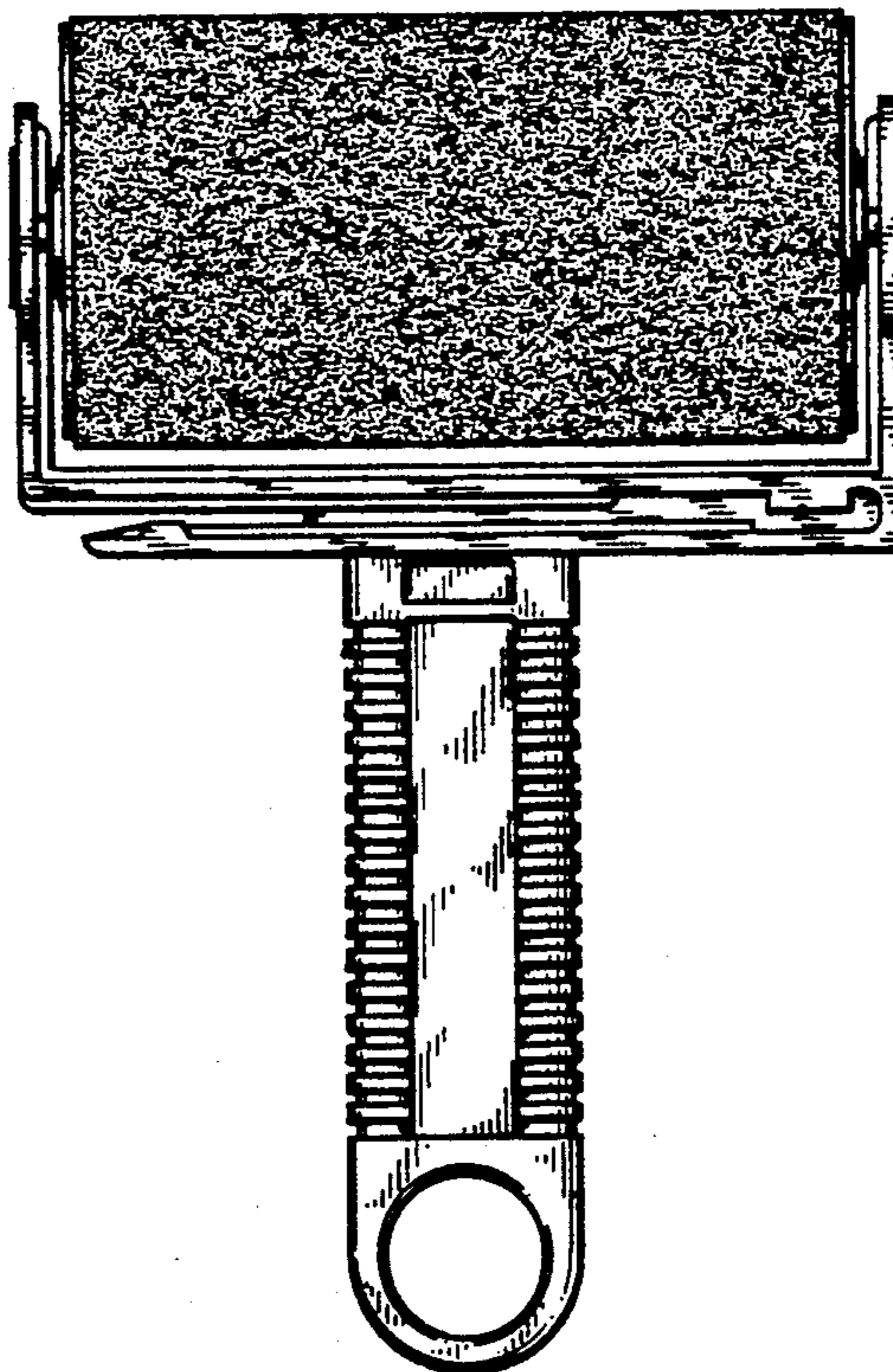
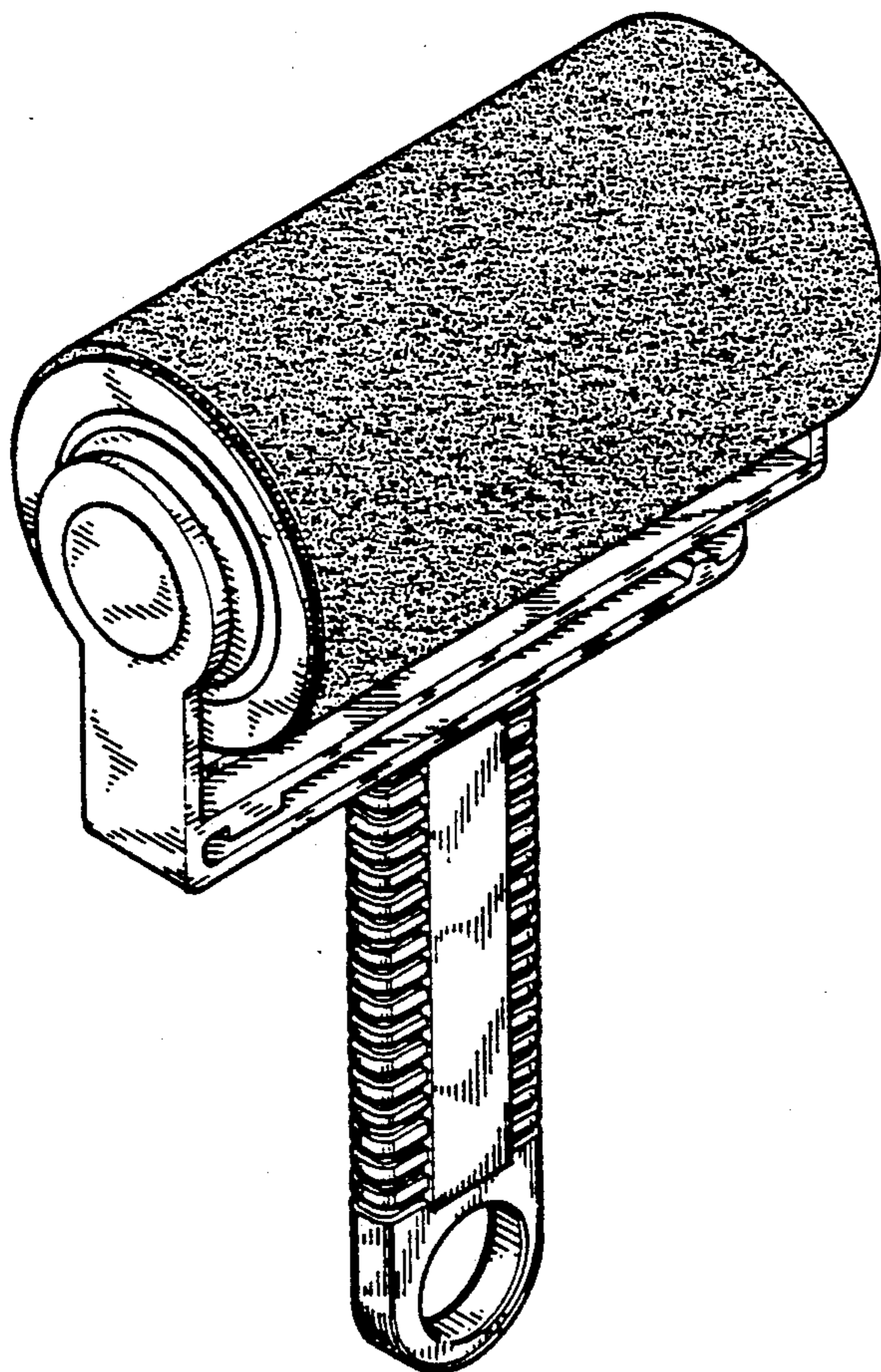
Primary Examiner—Wallace R. Burke
Assistant Examiner—Lavone D. Tabor
Attorney, Agent, or Firm—Zarley, McKee, Thomte, Voorhees & Sease

[57] CLAIM

The ornamental design for a cloth roller-cleaner, as shown and described.

DESCRIPTION

FIG. 1 is a top perspective view of a cloth roller-cleaner showing my new design;
FIG. 2 is a front elevational view thereof;
FIG. 3 is a rear elevational view thereof;
FIG. 4 is a top plan view thereof;
FIG. 5 is a bottom plan view thereof;
FIG. 6 is a left side elevational view thereof;
FIG. 7 is a right side elevational view thereof; and,
FIG. 8 is a top perspective view thereof, the housing being shown in broken lines for illustrative purposes only.



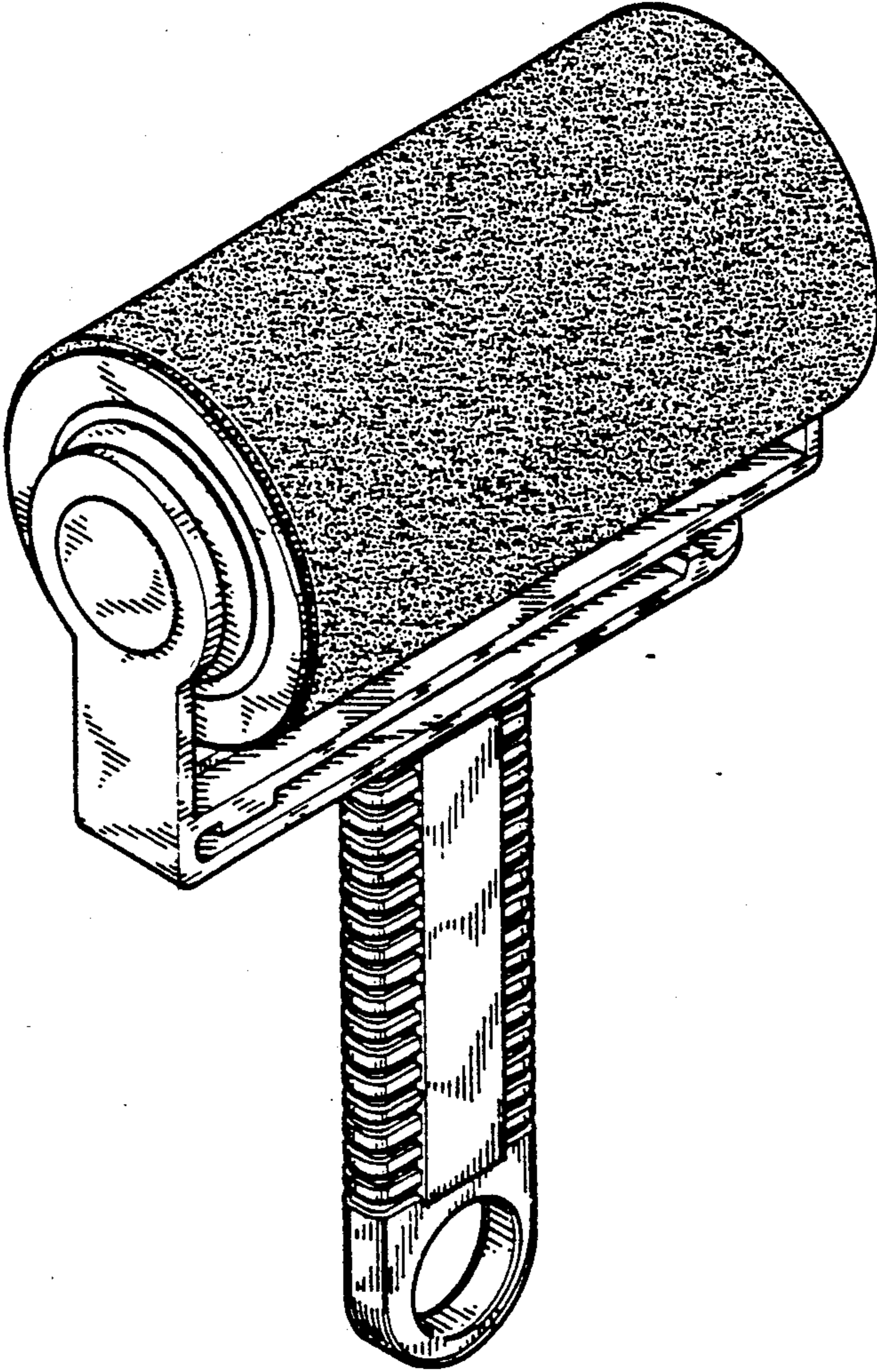


FIG. 1

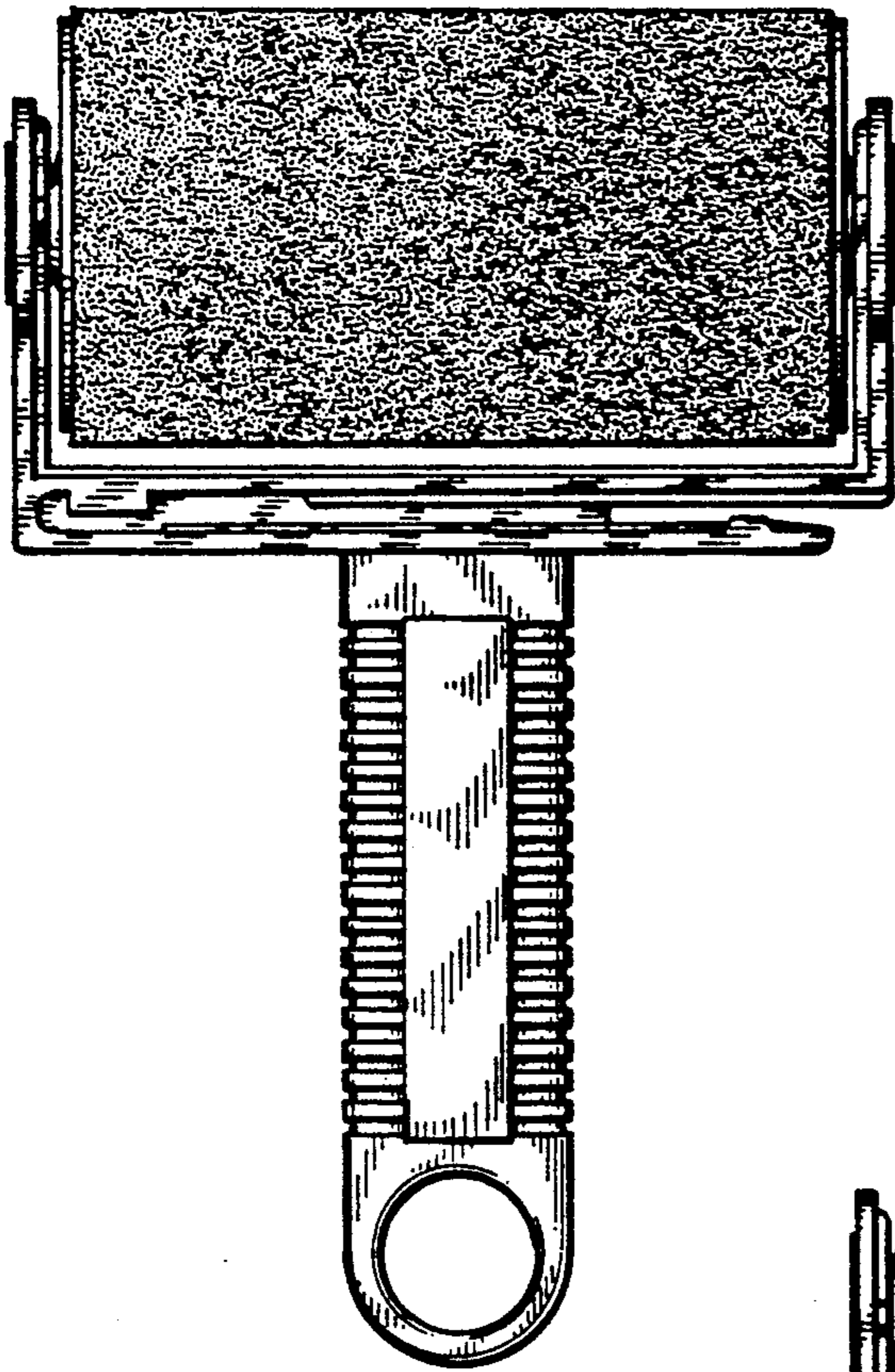


FIG. 2

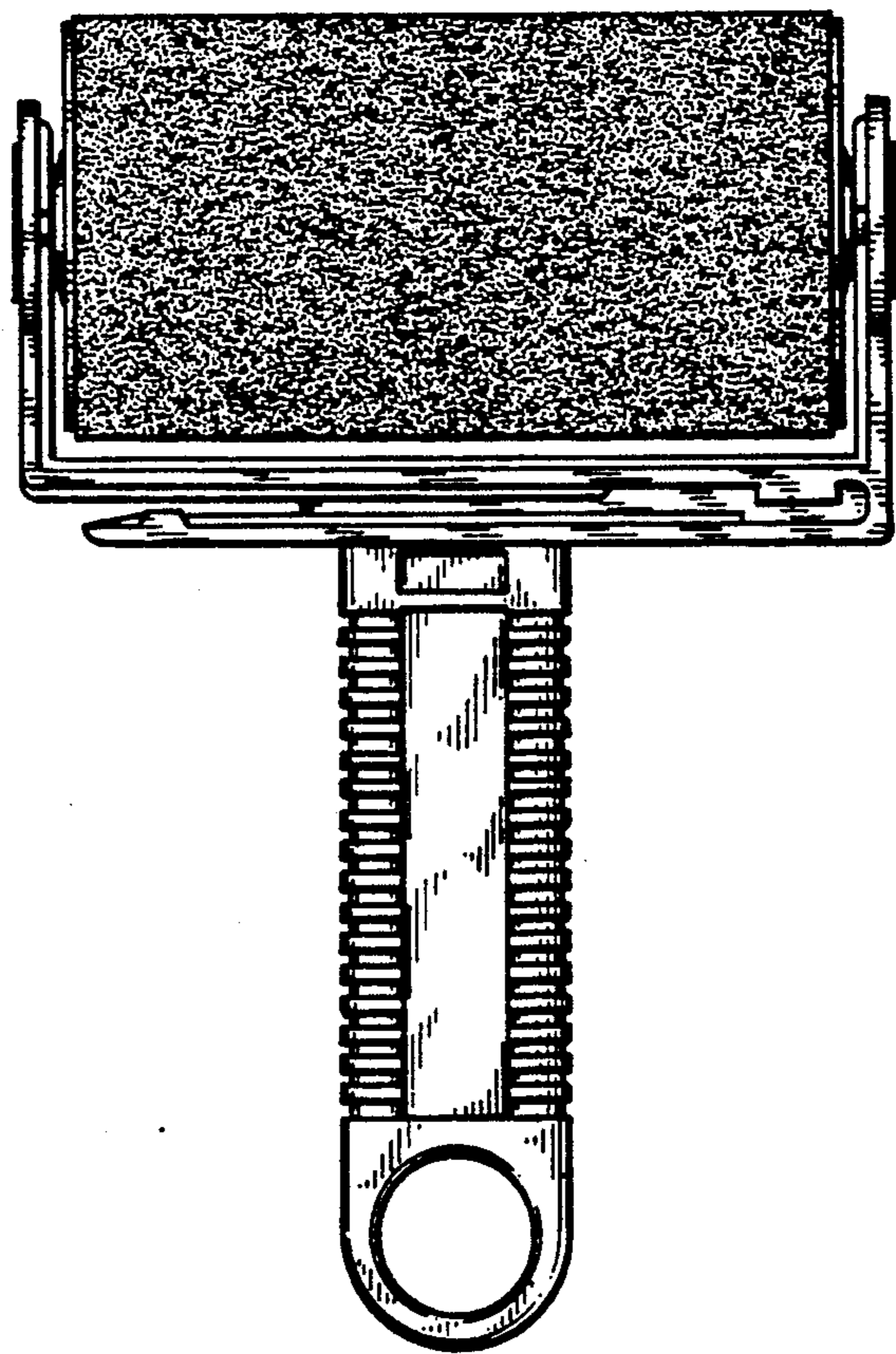


FIG. 3

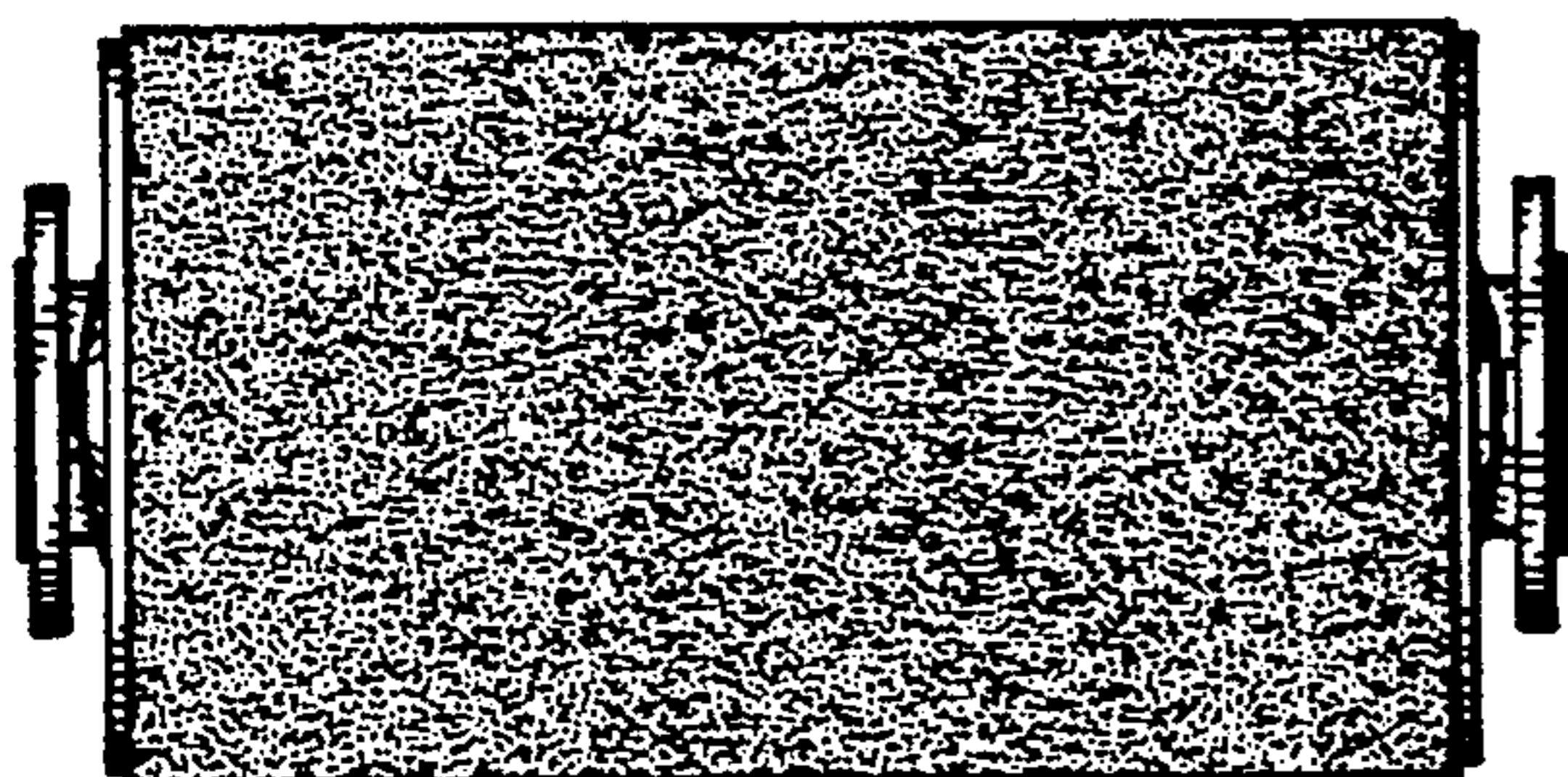


FIG. 4

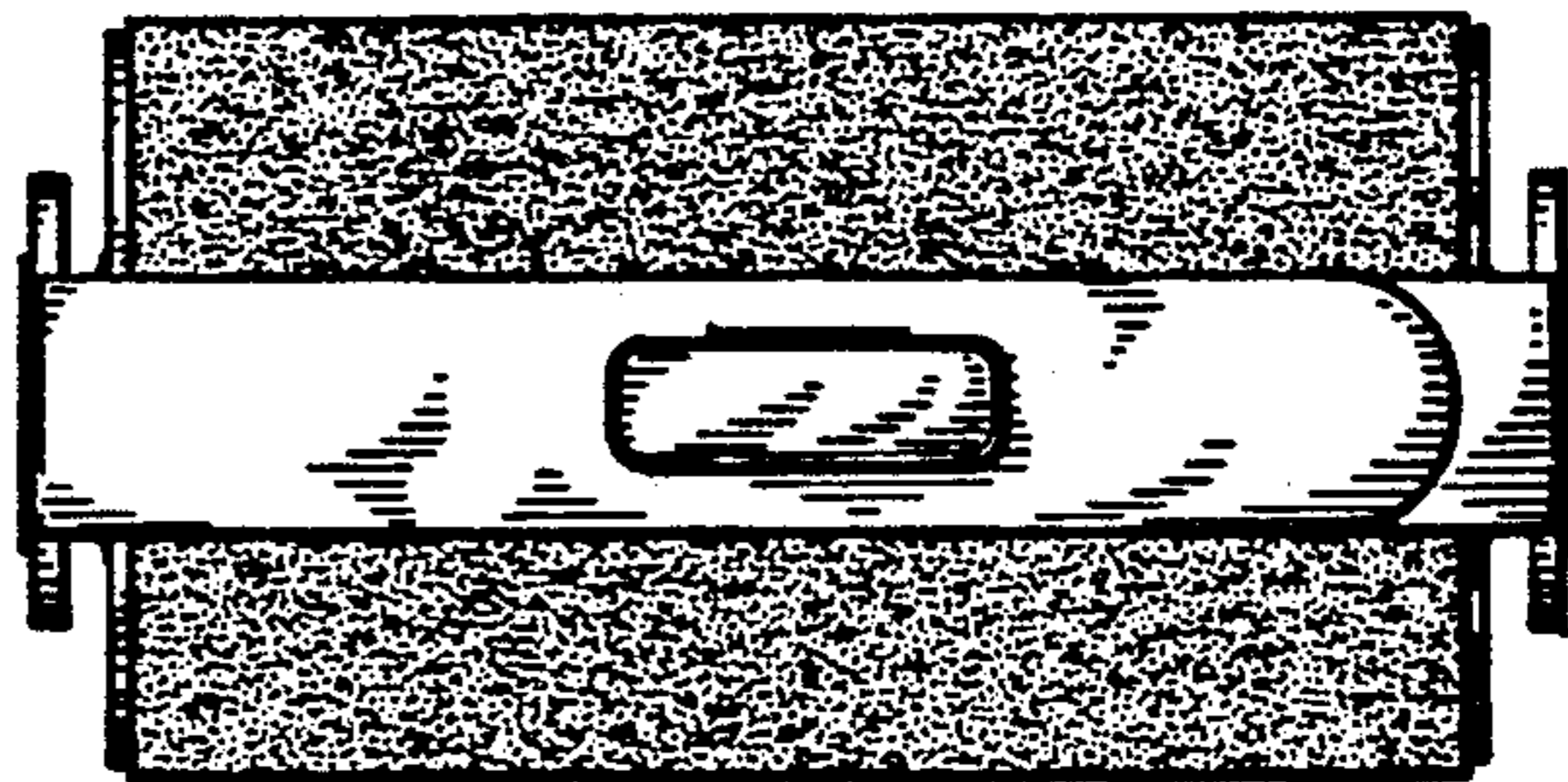


FIG. 5

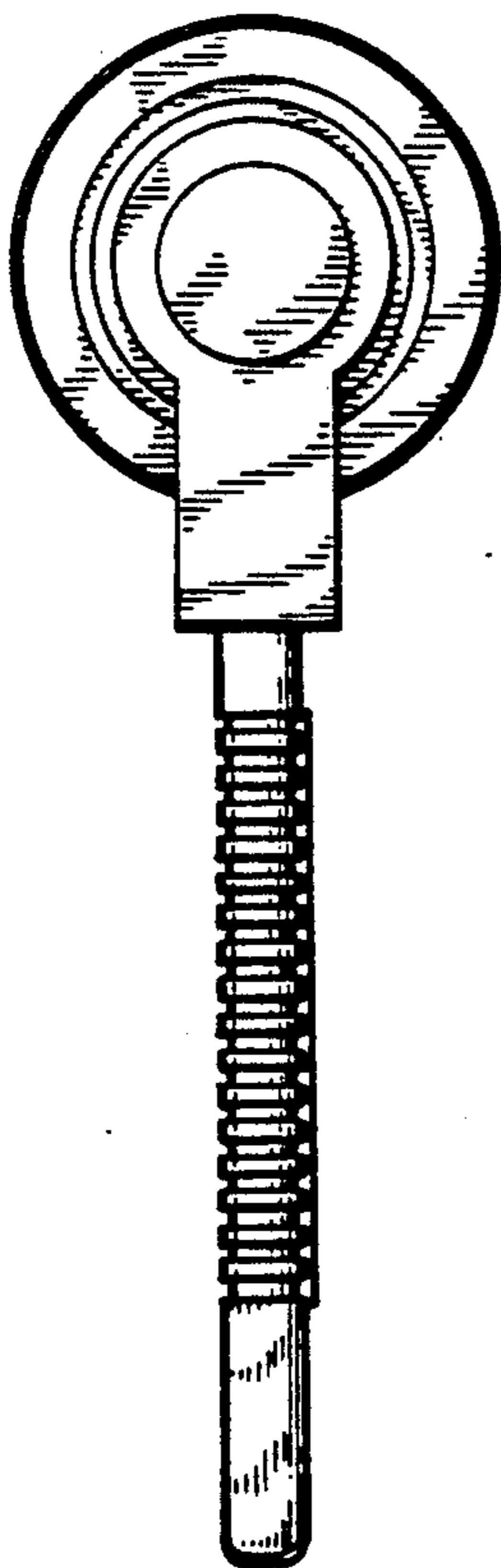


FIG. 6

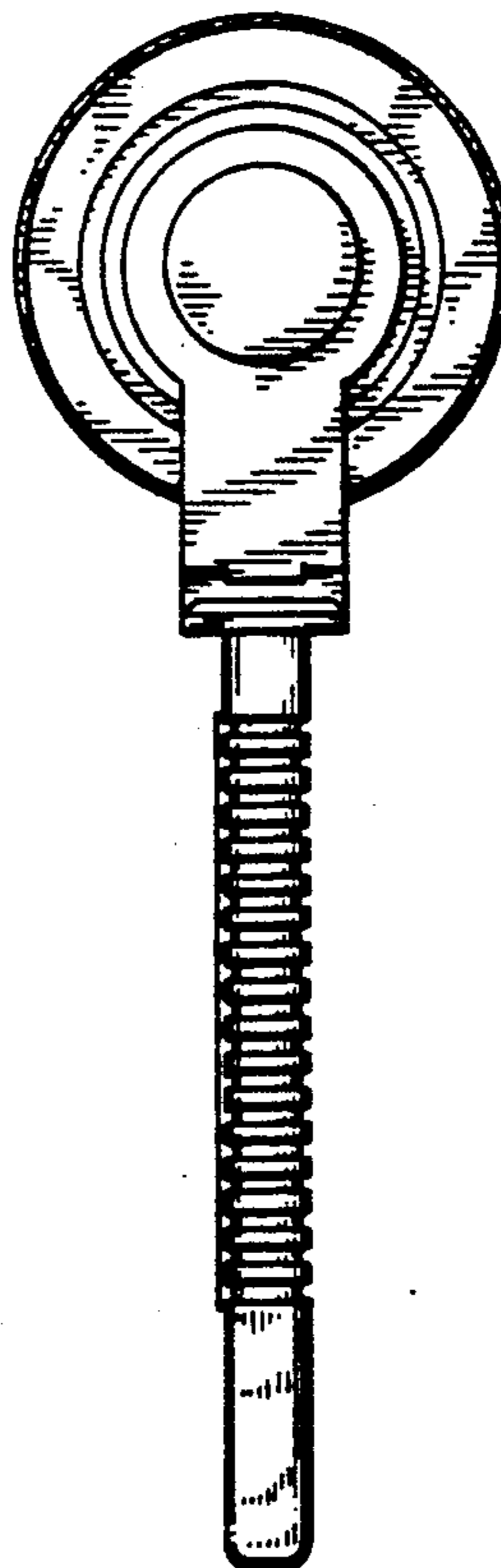


FIG. 7

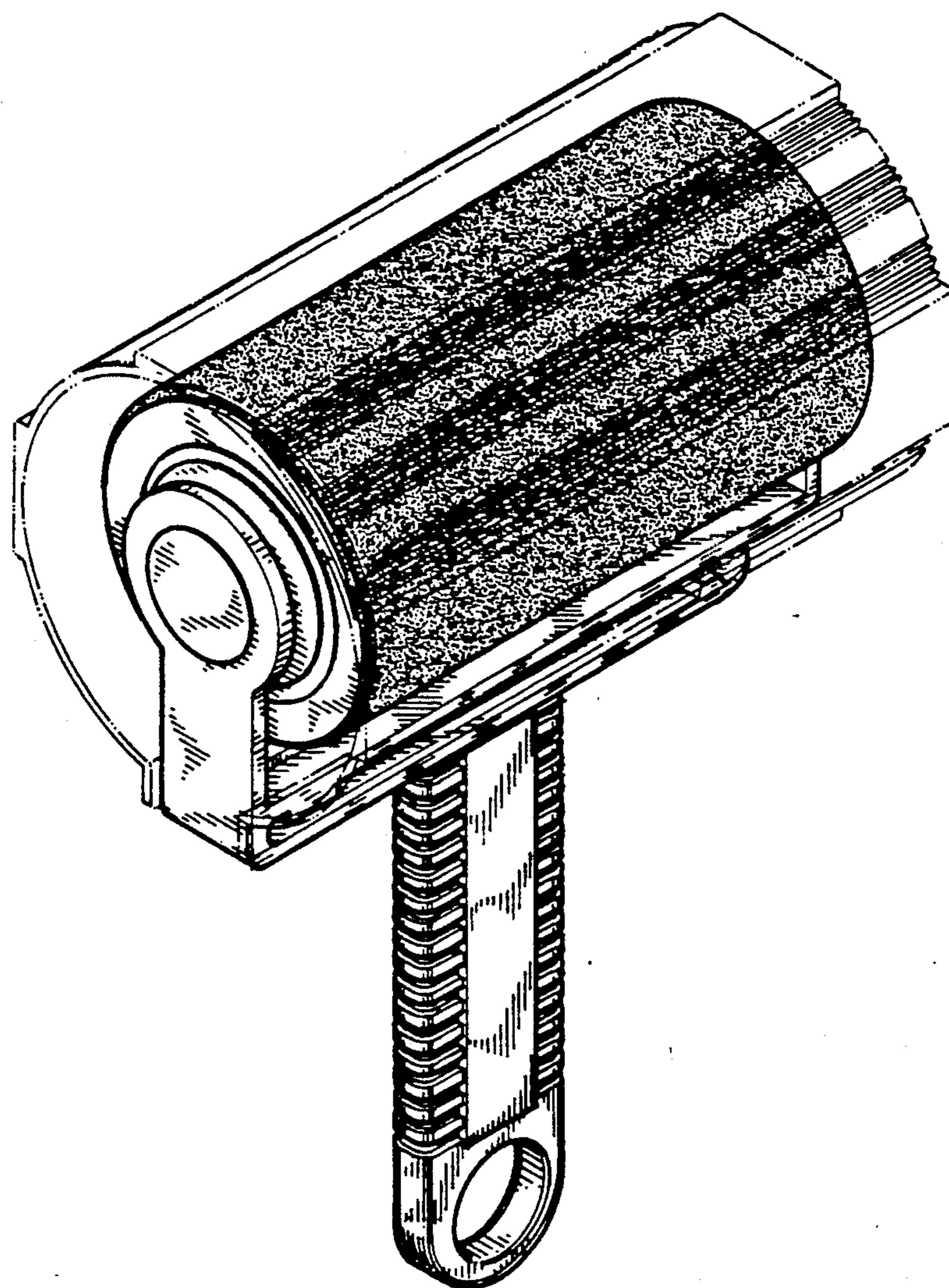


FIG. 8