



US00D336162S

United States Patent [19]

Miller

[11] Patent Number: **Des. 336,162**

[45] Date of Patent: **** Jun. 8, 1993**

[54] PAINT ROLLER

[76] Inventor: **Leroy Miller, 452 Harding Pl., Fairview, N.J. 07022**

[**] Term: **14 Years**

[21] Appl. No.: **533,662**

[22] Filed: **Jun. 5, 1990**

[52] U.S. Cl. **D4/122**

[58] Field of Search **D4/122, 138, 199; 15/143 R, 230.11; 29/110.5, 120; 118/504, DIG. 15; D8/82-83, DIG. 7, 8**

[56] **References Cited**

U.S. PATENT DOCUMENTS

D. 196,074	8/1963	Collier	D8/82
2,371,948	3/1945	Bergmann	15/230.11
2,428,953	10/1947	Adams	15/230.11
2,972,158	2/1961	Voskresenski .	
3,001,220	9/1961	Canning .	
3,229,319	1/1966	Goetz	15/230.11
4,434,521	3/1984	Martin .	

5,035,022 7/1991 Iuliano et al. 15/230.11

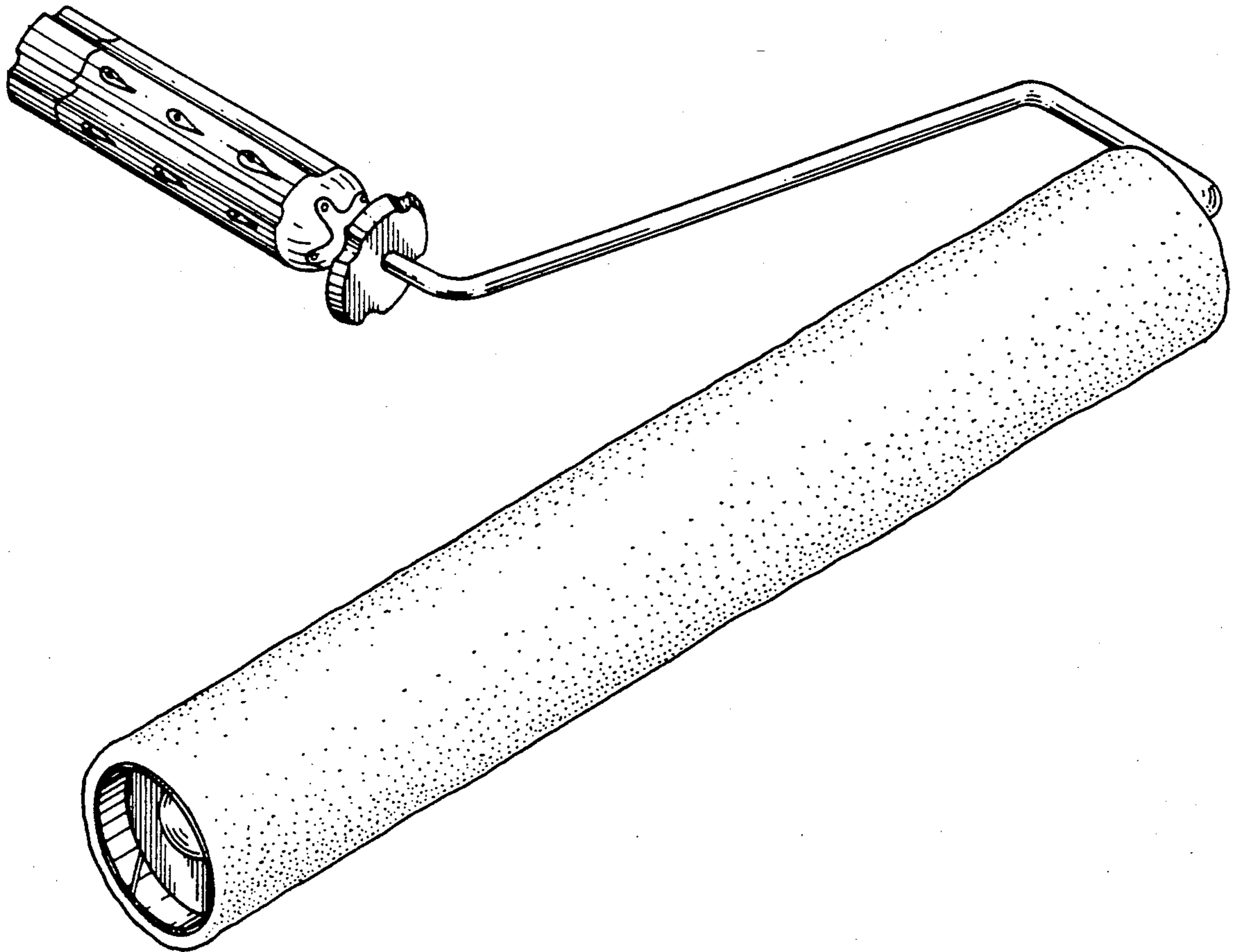
Primary Examiner—Wallace R. Burke
Assistant Examiner—Lavone D. Tabor
Attorney, Agent, or Firm—Terry M. Gernstein

[57] **CLAIM**

The ornamental design for a paint roller, as shown and described.

DESCRIPTION

FIG. 1 is a perspective view of the paint roller embodying the design of the present invention; FIG. 2 is a front elevational view thereof; FIG. 3 is a rear elevational view thereof; FIG. 4 is a side elevational view thereof; FIG. 5 is a side elevational view thereof; and, FIG. 6 is a top plan view thereof, the bottom view being a mirror image of the top view shown in FIG. 6. The stippling shown in FIGS. 1-6, which is partially shown for ease of illustration, represents a conventional roller material and is understood to repeat throughout the areas indicated.



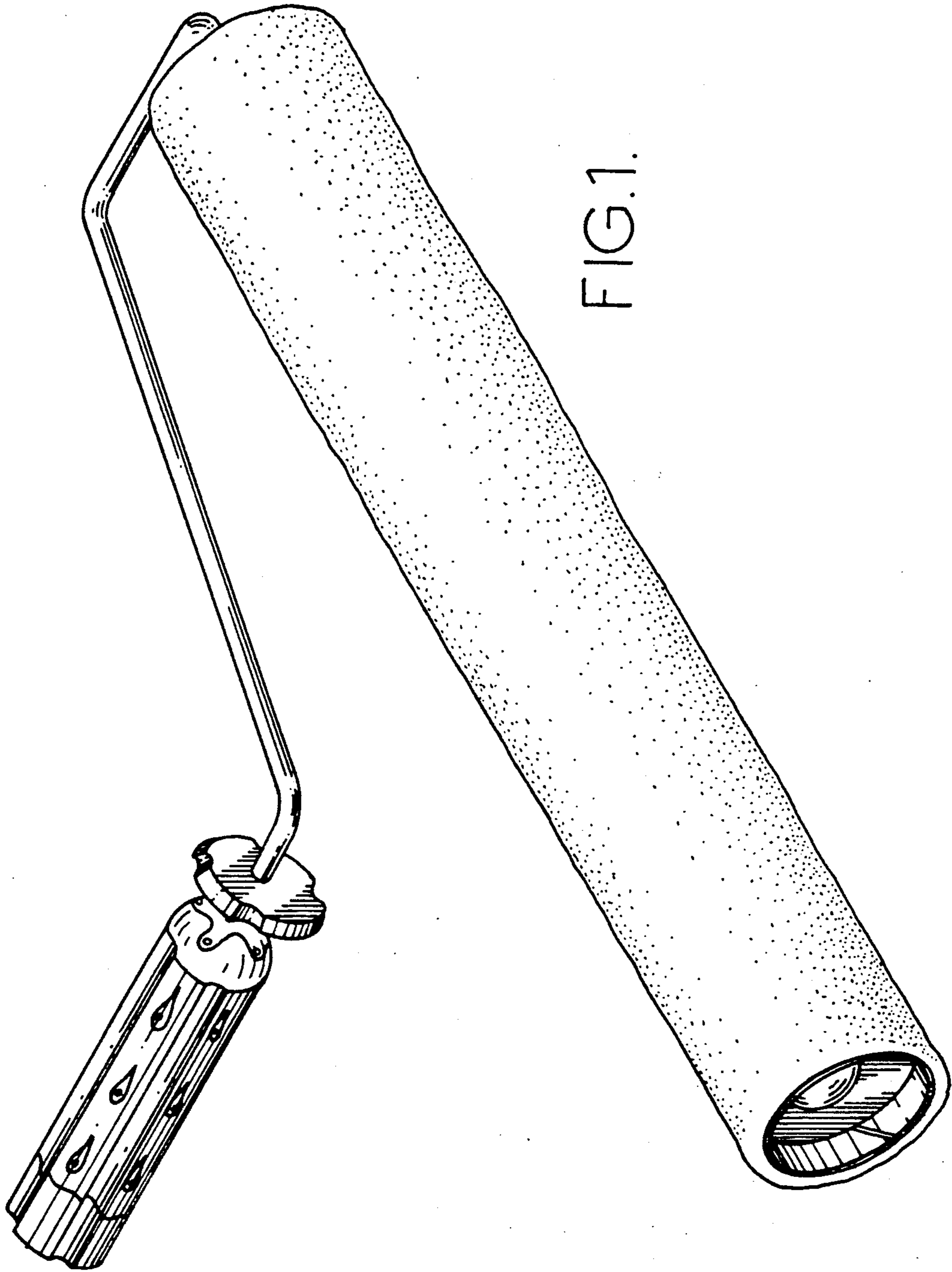


FIG. 1.

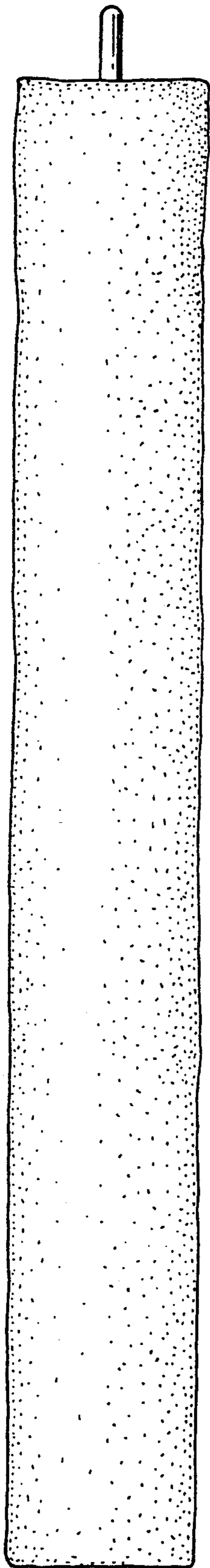


FIG. 2.

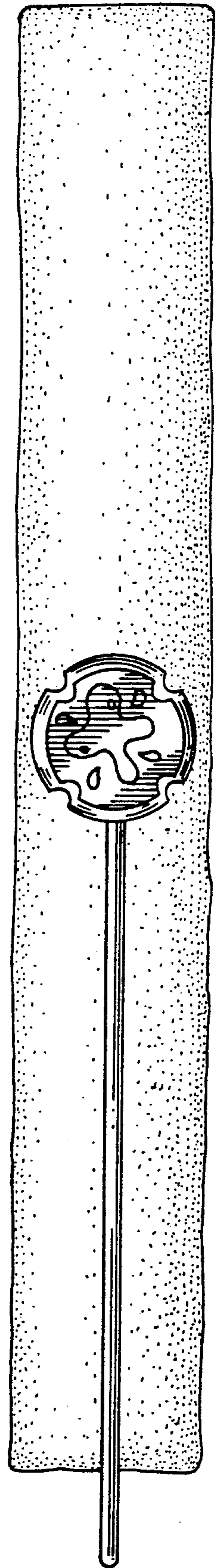


FIG. 3.

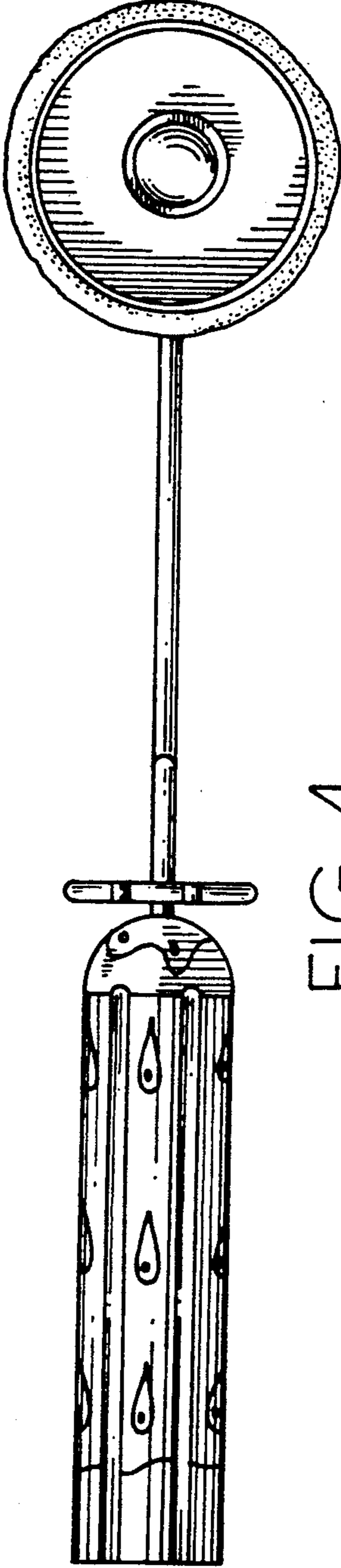


FIG. 4.

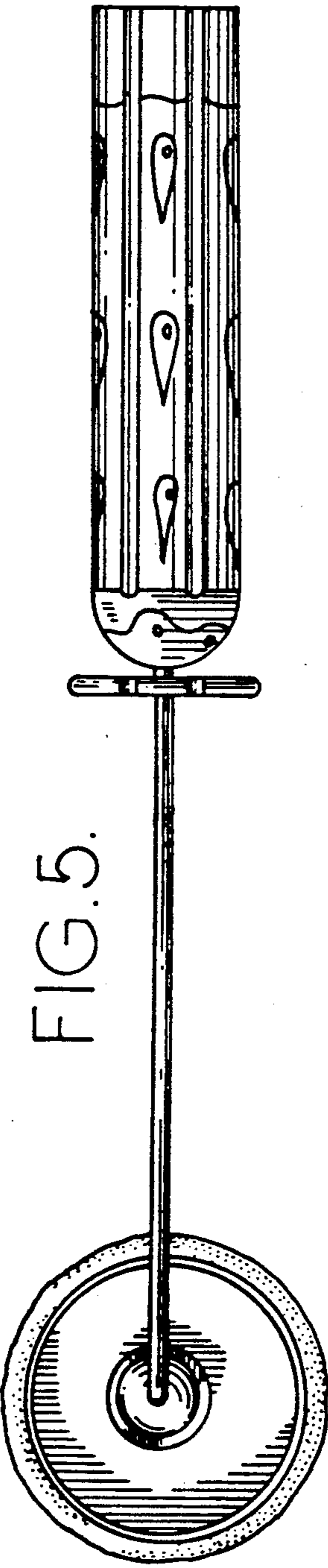


FIG. 5.

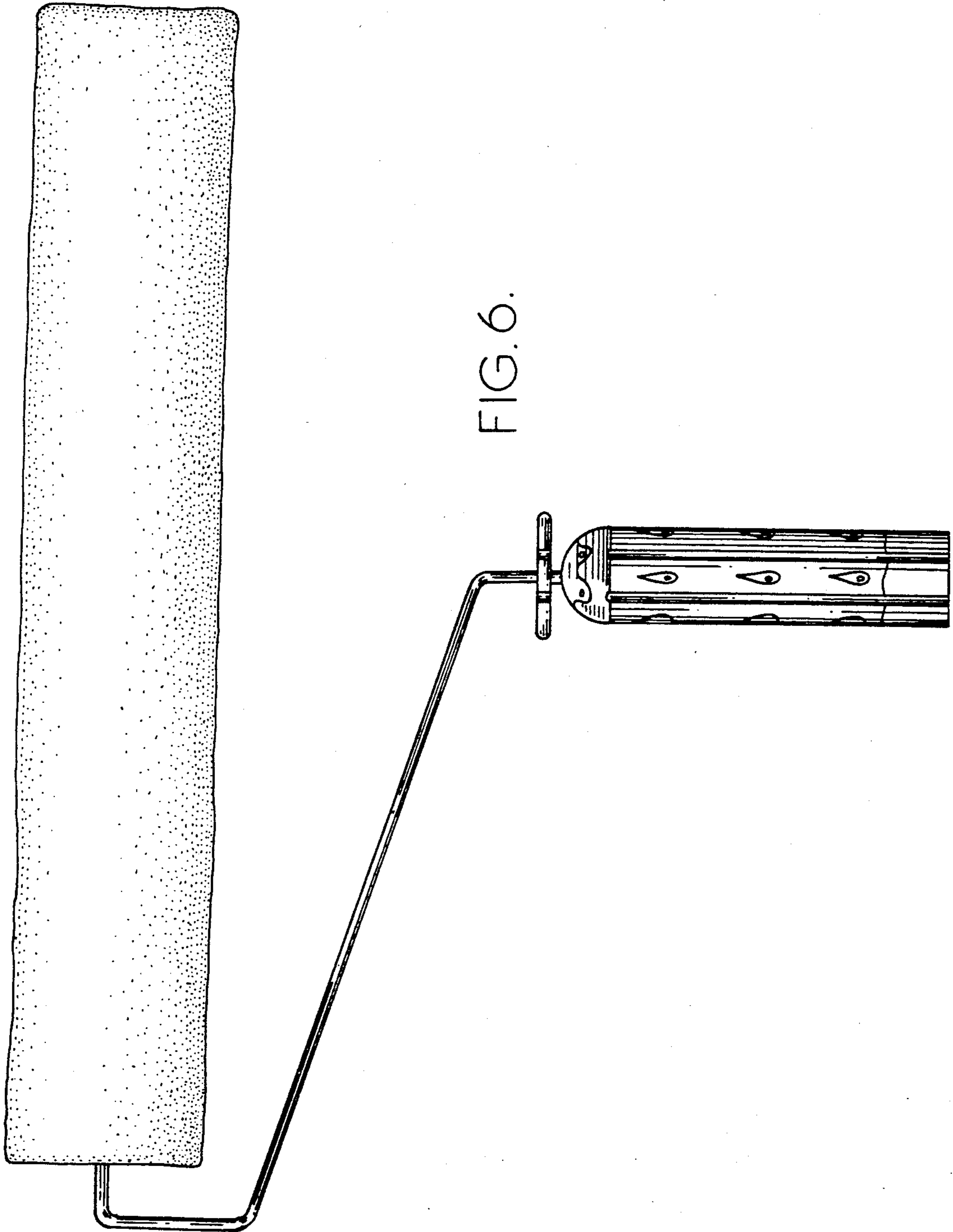


FIG. 6.