



US00D336161S

# United States Patent [19]

Hughes

[11] Patent Number: **Des. 336,161**

[45] Date of Patent: **\*\* Jun. 8, 1993**

- [54] CHIMNEY CLEANING DEVICE
- [76] Inventor: Shirley L. Hughes, 4125 N. Pinal, Kingman, Ariz. 86401
- [\*\*] Term: 14 Years
- [21] Appl. No.: 587,430
- [22] Filed: Sep. 25, 1990
- [52] U.S. Cl. .... D4/121; D32/35
- [58] Field of Search ..... D4/127, 121, 130, 199; D32/35; 15/104.03, 104.05, 104.16, 104.20, 162, 163, 242, 243, 249

- [56] **References Cited**
- U.S. PATENT DOCUMENTS**
- 4,573,232 3/1986 Marley ..... 15/163
- 4,619,011 10/1986 Grooms .
- 4,773,116 9/1988 Super .
- 4,807,320 2/1989 Labrecque .
- FOREIGN PATENT DOCUMENTS**
- 1045959 10/1983 U.S.S.R. .... 15/104.05

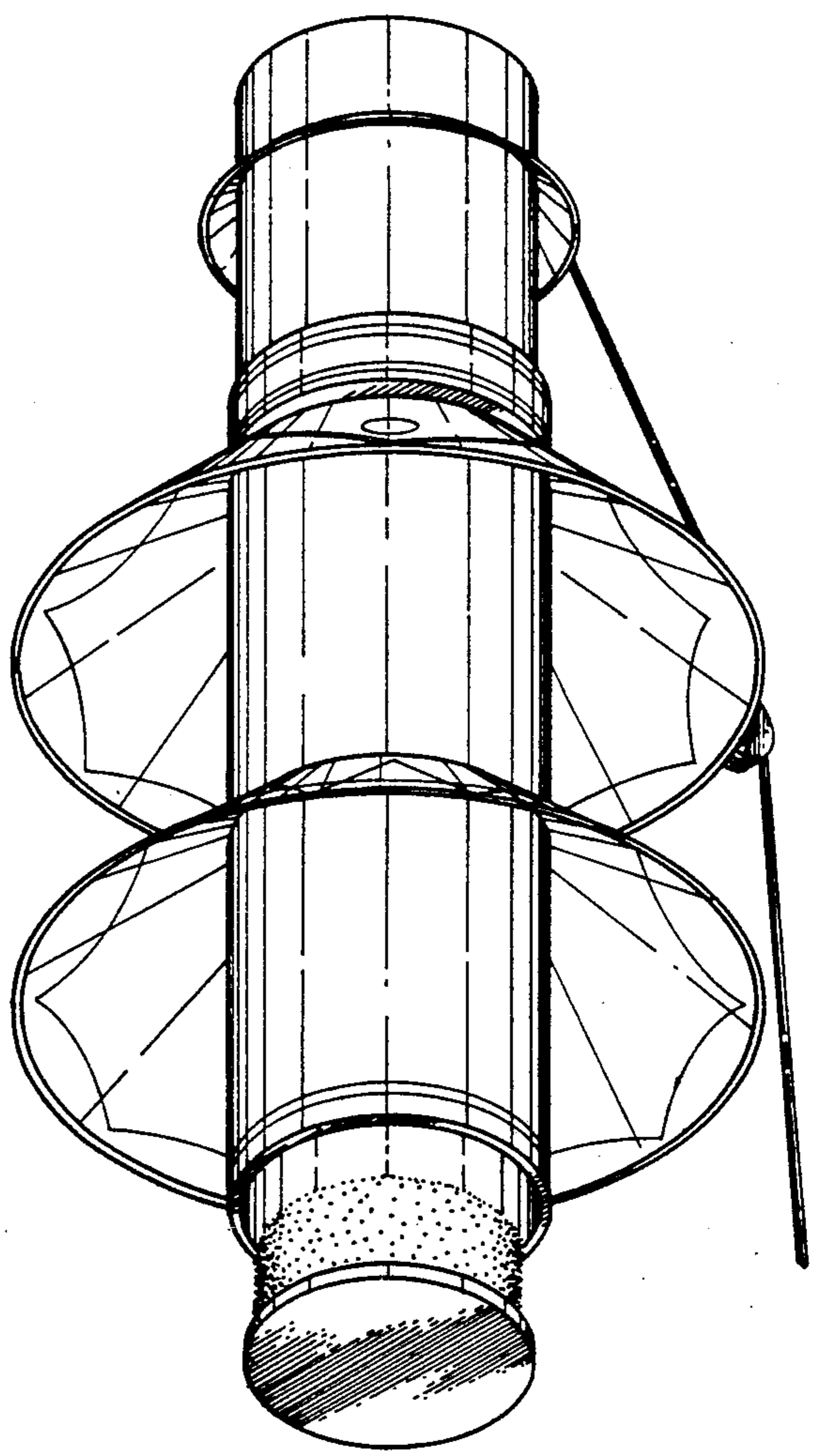
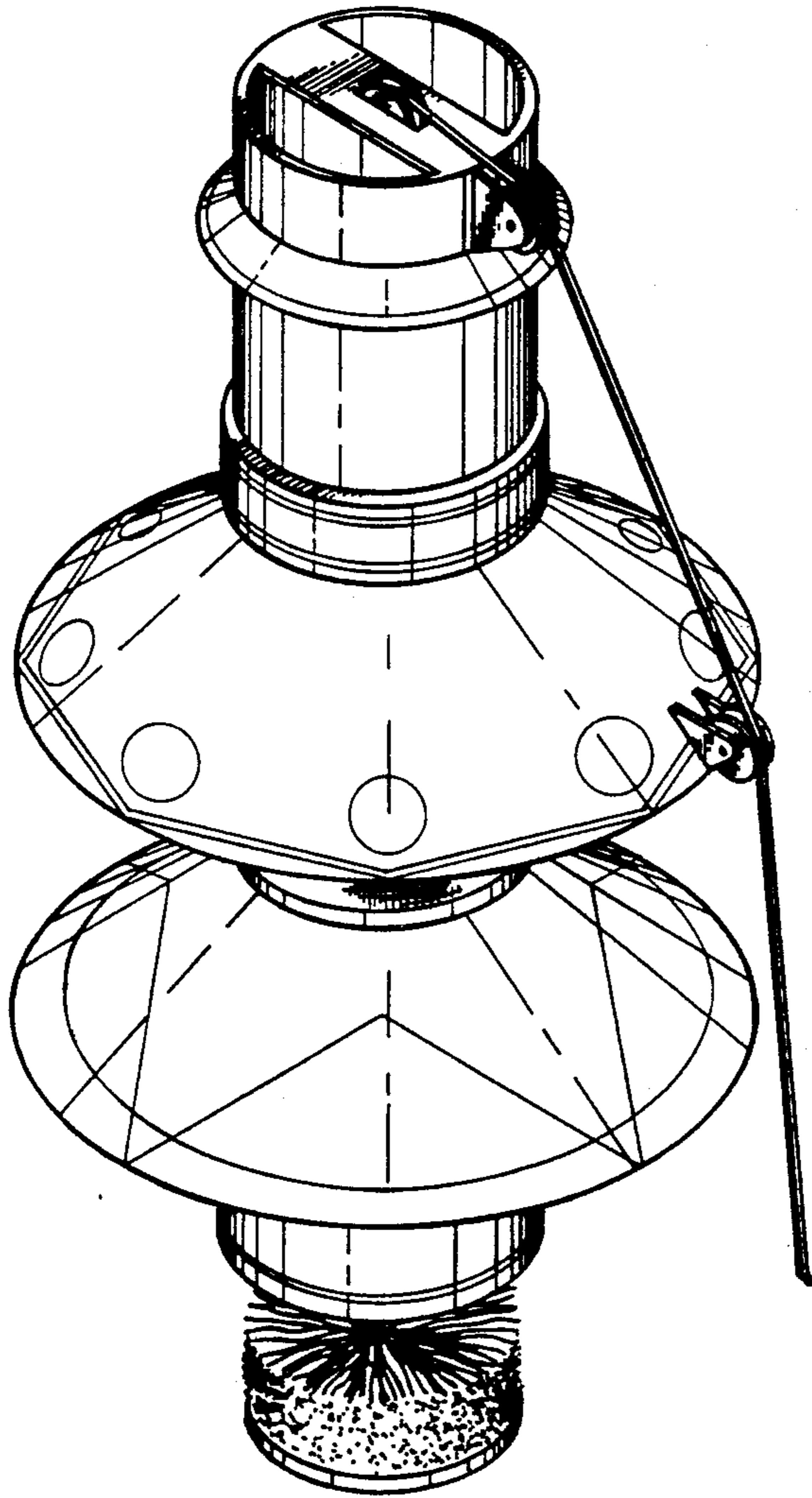
*Primary Examiner*—Wallace R. Burke  
*Assistant Examiner*—Lavone D. Tabor  
*Attorney, Agent, or Firm*—Terry M. Gernstein

### [57] CLAIM

The ornamental design for a chimney cleaning device, as shown and described.

### DESCRIPTION

FIG. 1 is a perspective view of a chimney cleaning device showing my new design; FIG. 2 is a side elevational view thereof, the opposite side being a mirror image and shown with the brush retracted into the body of the cleaning device; FIG. 3 is a front elevational view thereof; FIG. 4 is a rear elevational view thereof; FIG. 5 is a top plan view thereof; FIG. 6 is a bottom plan view thereof; and, FIG. 7 is a bottom perspective view thereof as shown in FIG. 1; and, The crosshatched pattern is partially shown for ease of illustration and is understood to repeat throughout the areas indicated.



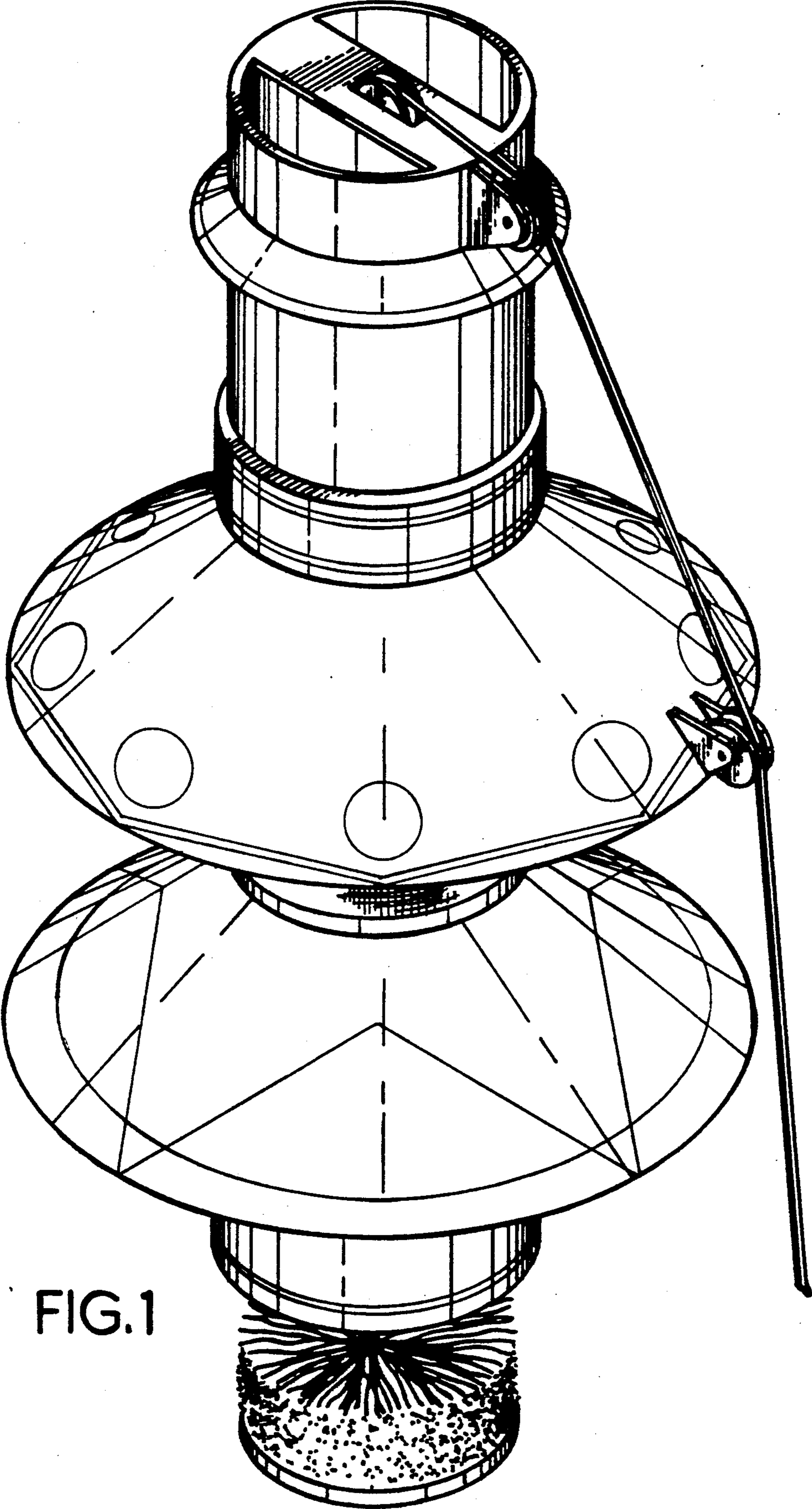


FIG.1



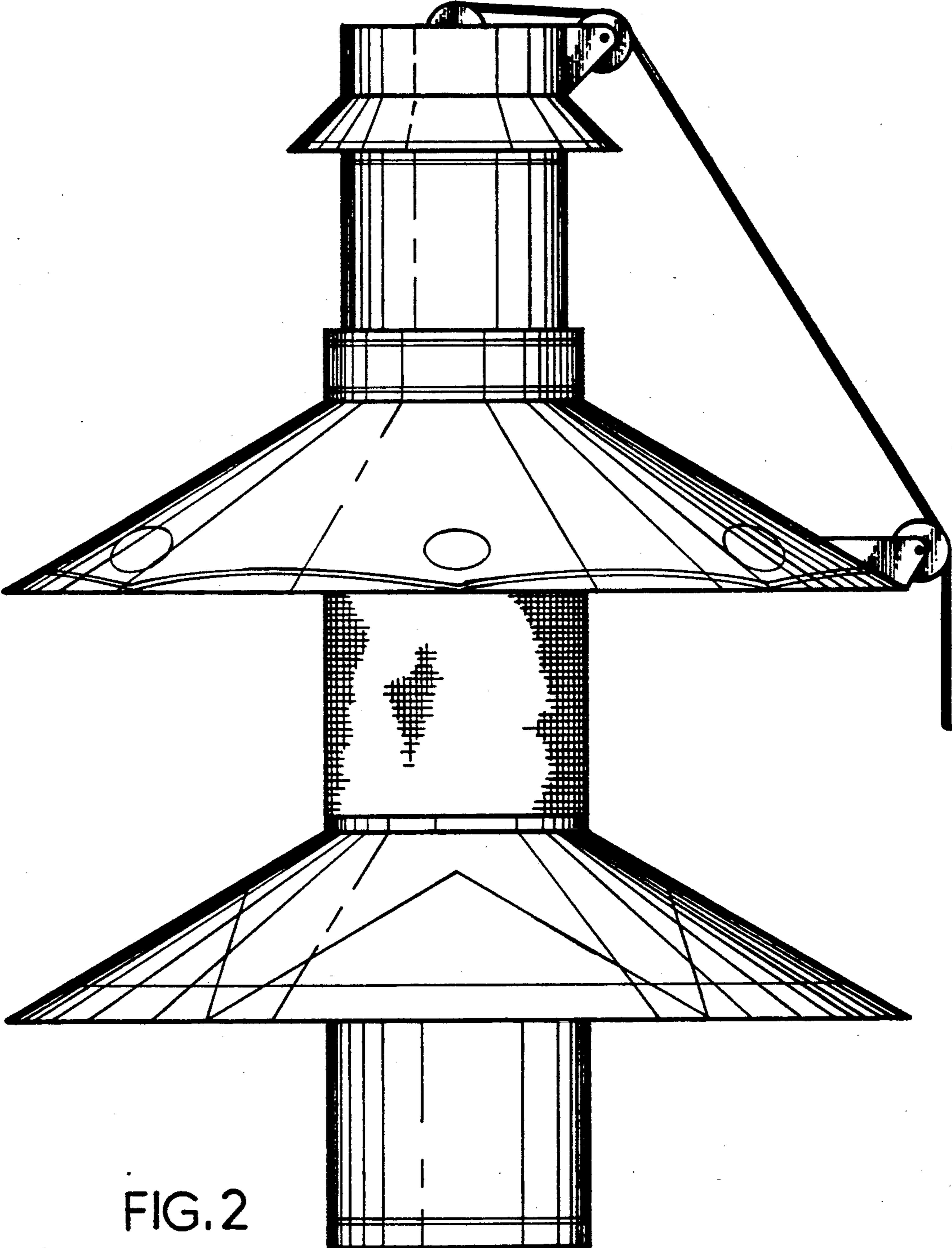


FIG. 2

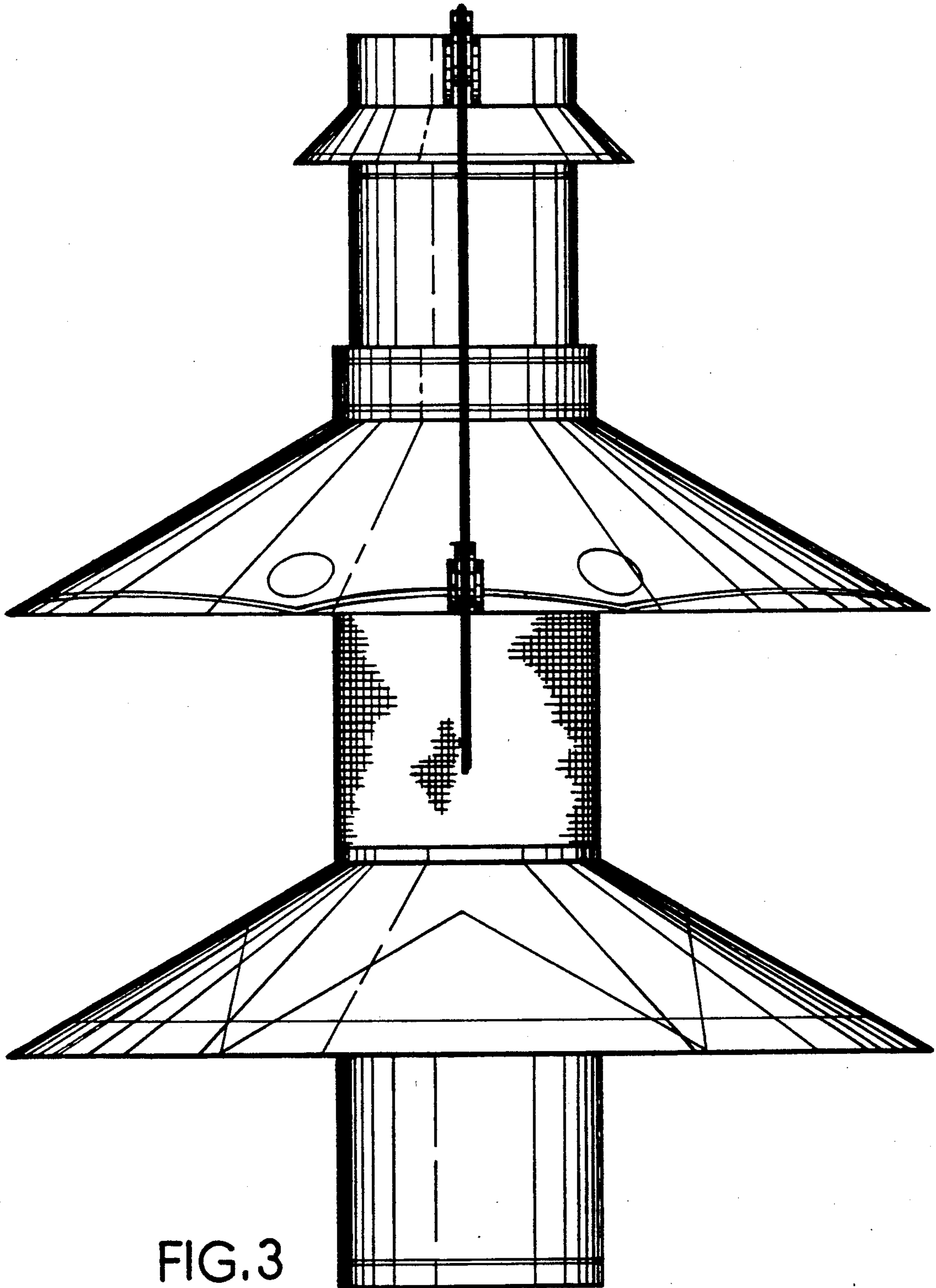


FIG. 3

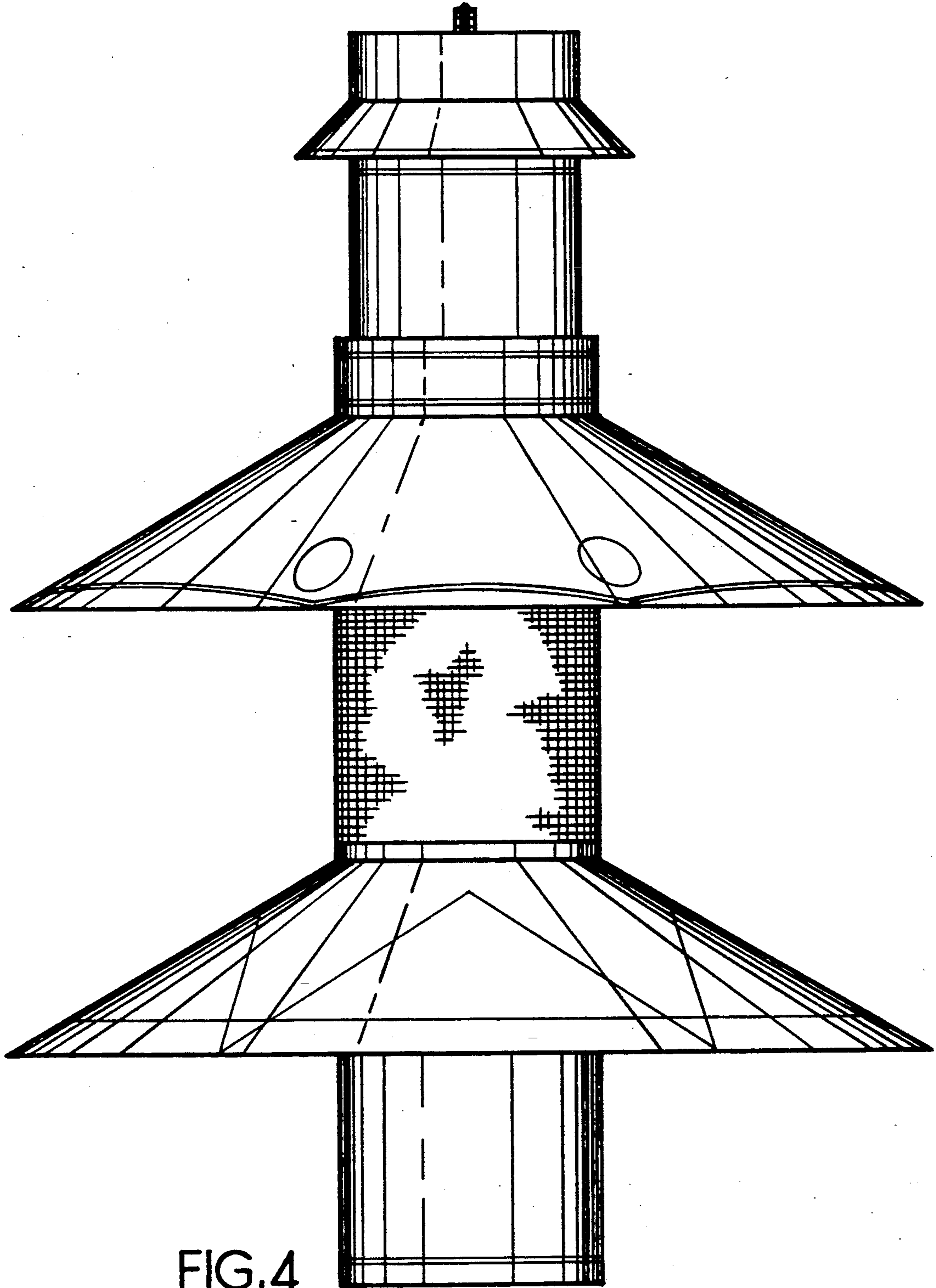


FIG. 4

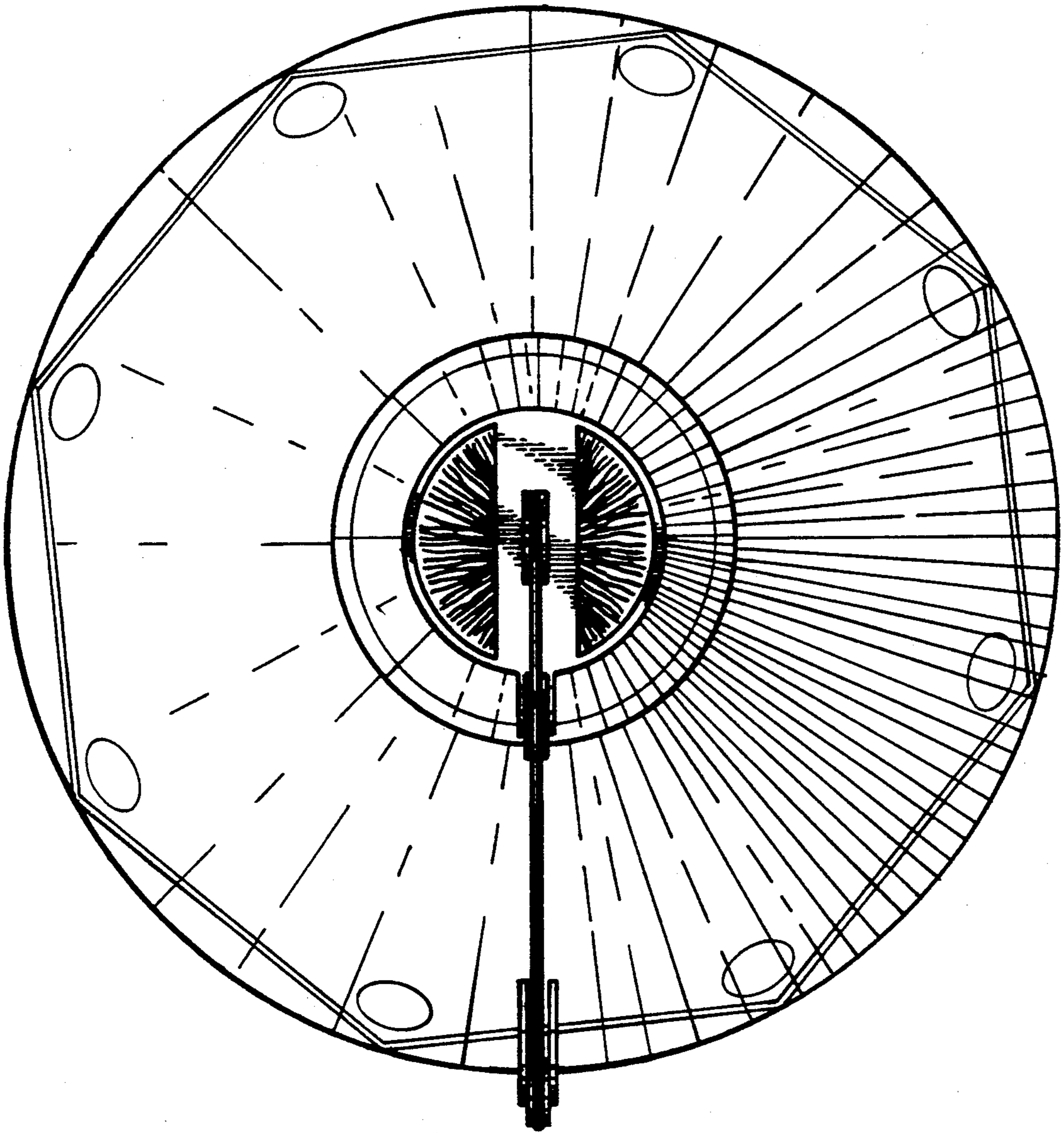


FIG. 5



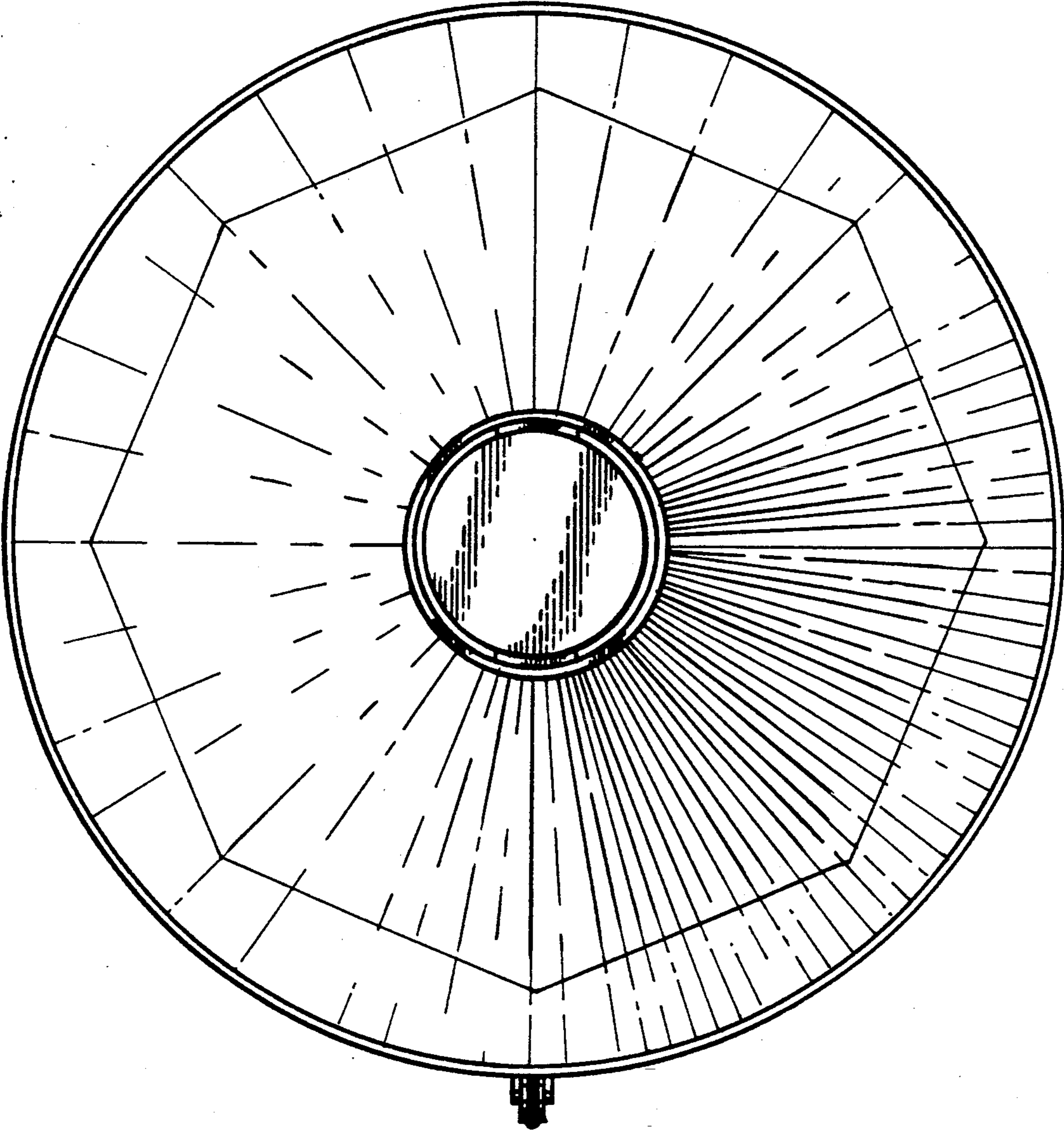


FIG. 6

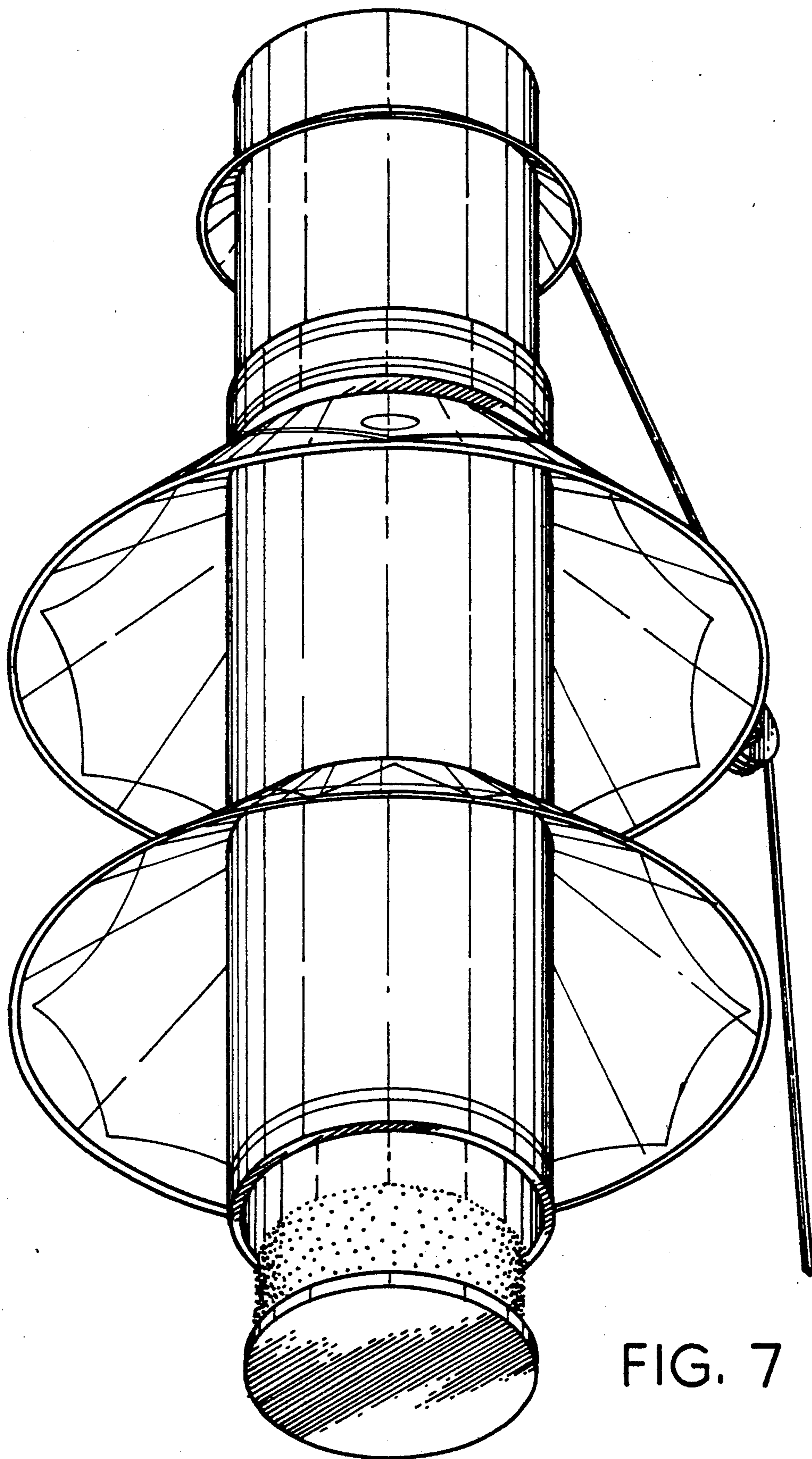


FIG. 7