



US00D336143S

United States Patent [19] Cole

[11] Patent Number: **Des. 336,143**

[45] Date of Patent: **** Jun. 1, 1993**

[54] WINDOW COMPONENT EXTRUSION

4,428,156 1/1984 Malm et al. 49/504
4,974,364 12/1990 Durham, Jr. 49/501

[75] Inventor: Douglas L. Cole, Seattle, Wash.

[73] Assignee: Mikron Industries, Kent, Wash.

[**] Term: 14 Years

Primary Examiner—A. Hugo Word
Assistant Examiner—Doris Clark
Attorney, Agent, or Firm—Seed and Berry

[21] Appl. No.: 744,803

[57] CLAIM

[22] Filed: Aug. 14, 1991

The ornamental design for a window component extrusion, as shown and described.

[52] U.S. Cl. D25/124

[58] Field of Search D25/52, 122, 124;
49/501, 504, DIG. 2; 52/202-204

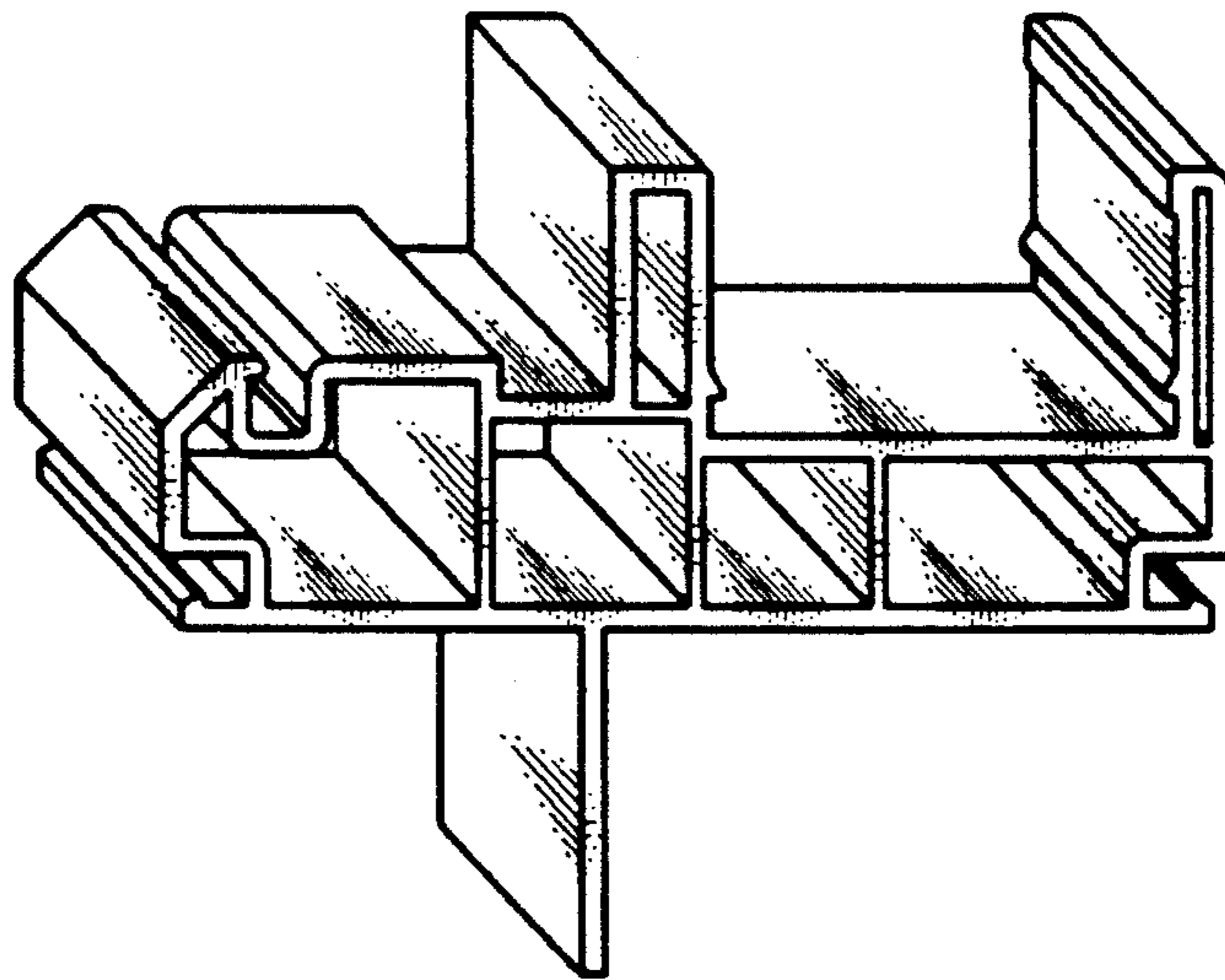
DESCRIPTION

[56] References Cited

U.S. PATENT DOCUMENTS

D. 301,066 5/1989 Dallaire et al. D25/124

FIG. 1 is a perspective view of a window component extrusion showing my new design viewed from the top right; and, FIG. 2 is a perspective view thereof viewed from the bottom left.



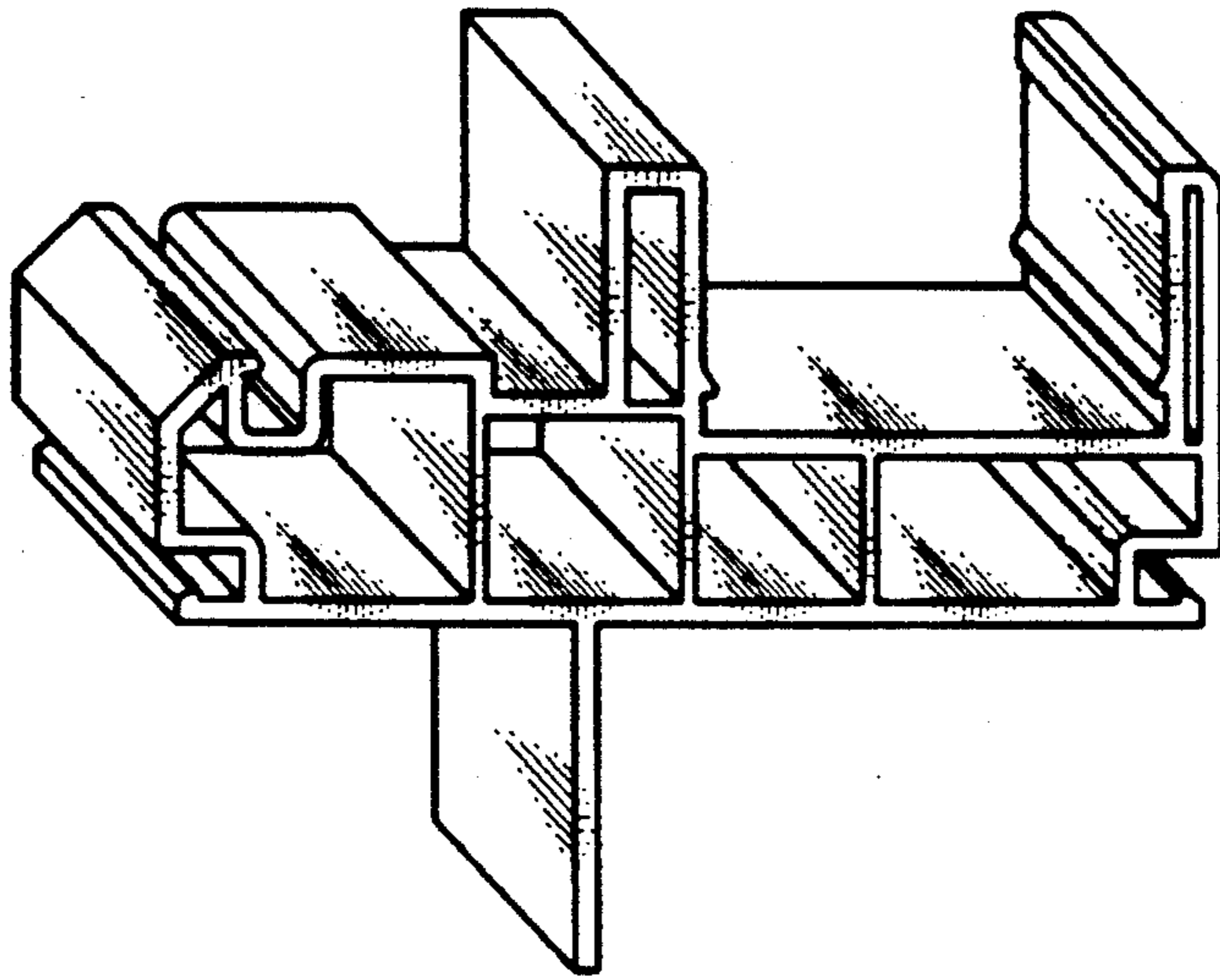


FIG. 1

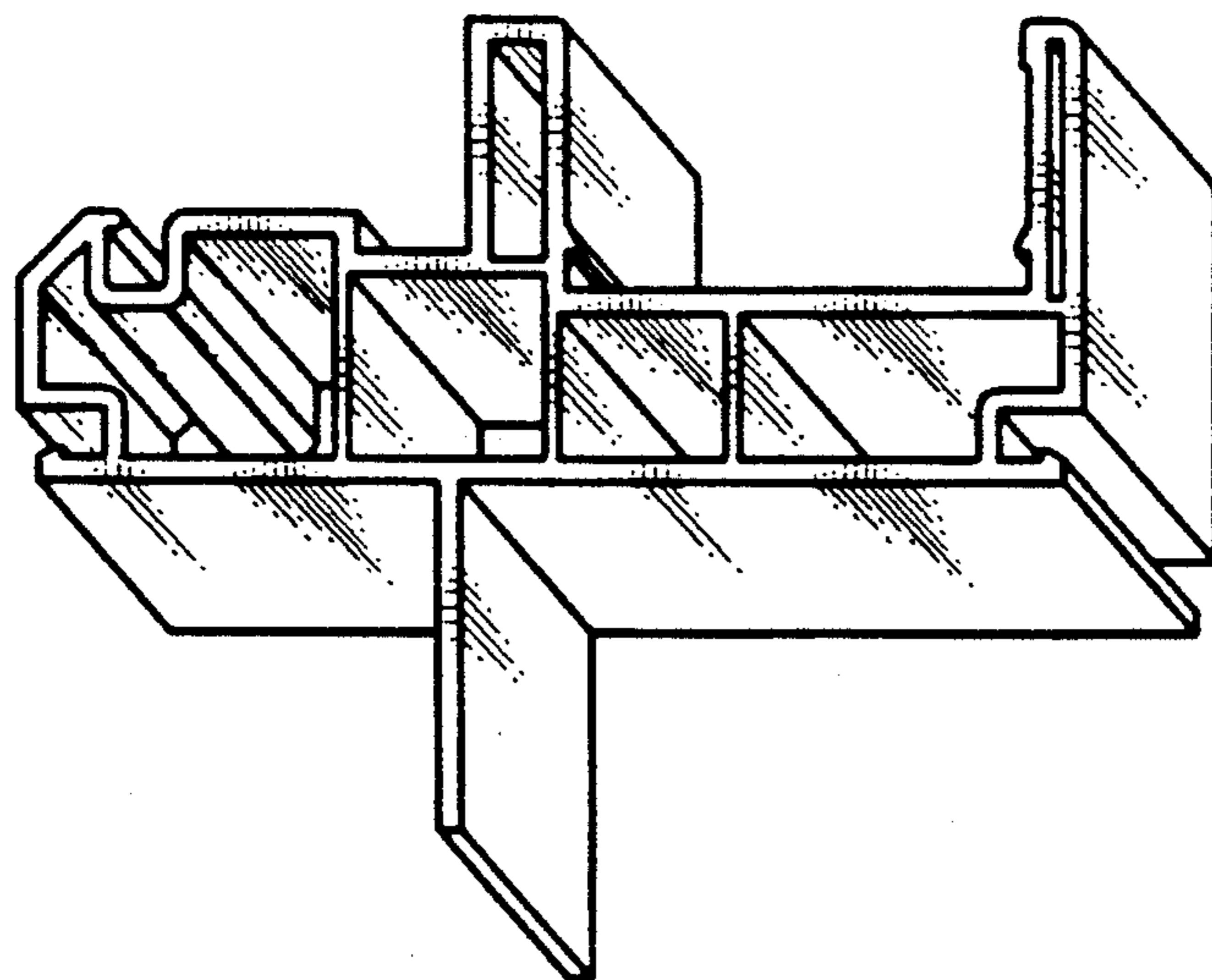


FIG. 2