



US00D336140S

United States Patent [19]

[11] Patent Number: **Des. 336,140**

Lavery

[45] Date of Patent: **** Jun. 1, 1993**

[54] **CONSTRUCTION BLOCK FOR USE IN A RETAINING WALL, EDGING BRICK, OR EDGING A YARD**

[76] Inventor: **Terrence J. Lavery**, 167 Hawkins Cir., Wheaton, Ill. 60187

[**] Term: **14 Years**

[21] Appl. No.: **722,264**

[22] Filed: **Jun. 27, 1991**

[52] U.S. Cl. **D25/113**

[58] Field of Search **D25/112-118, D25/151; D21/108; 52/596, 598, 602, 605, 607-610, 612; 405/284; 404/19, 28-29, 30, 34, 39**

[56] **References Cited**

U.S. PATENT DOCUMENTS

205,832	7/1878	Brown .	
348,598	9/1886	Strickland .	
696,792	4/1902	Bedell .	
722,580	3/1903	Hill .	
785,072	4/1905	Rickords .	
1,015,584	1/1912	Powell .	
1,222,061	4/1917	Bartells	D25/113
1,422,551	7/1922	Fletcher	D25/113
1,945,681	2/1934	Farrens	52/605
3,339,332	9/1967	Hein .	
3,780,484	12/1973	Muse	52/596
4,031,678	6/1977	Schuring .	
4,524,551	6/1985	Scheiwiller	52/605

Primary Examiner—A. Hugo Word

Assistant Examiner—Doris Clark
Attorney, Agent, or Firm—Mathew R. P. Perrone, Jr.

[57] **CLAIM**

The ornamental design for a construction block for use in a retaining wall, edging brick, or edging a yard, as shown.

DESCRIPTION

FIG. 1 depicts a perspective view of the construction block for use in a retaining wall, edging brick, or edging a yard of this invention;

FIG. 2 depicts a perspective view of the construction block for use in a retaining wall, edging brick, or edging a yard of this invention, which is a reverse view of FIG. 1;

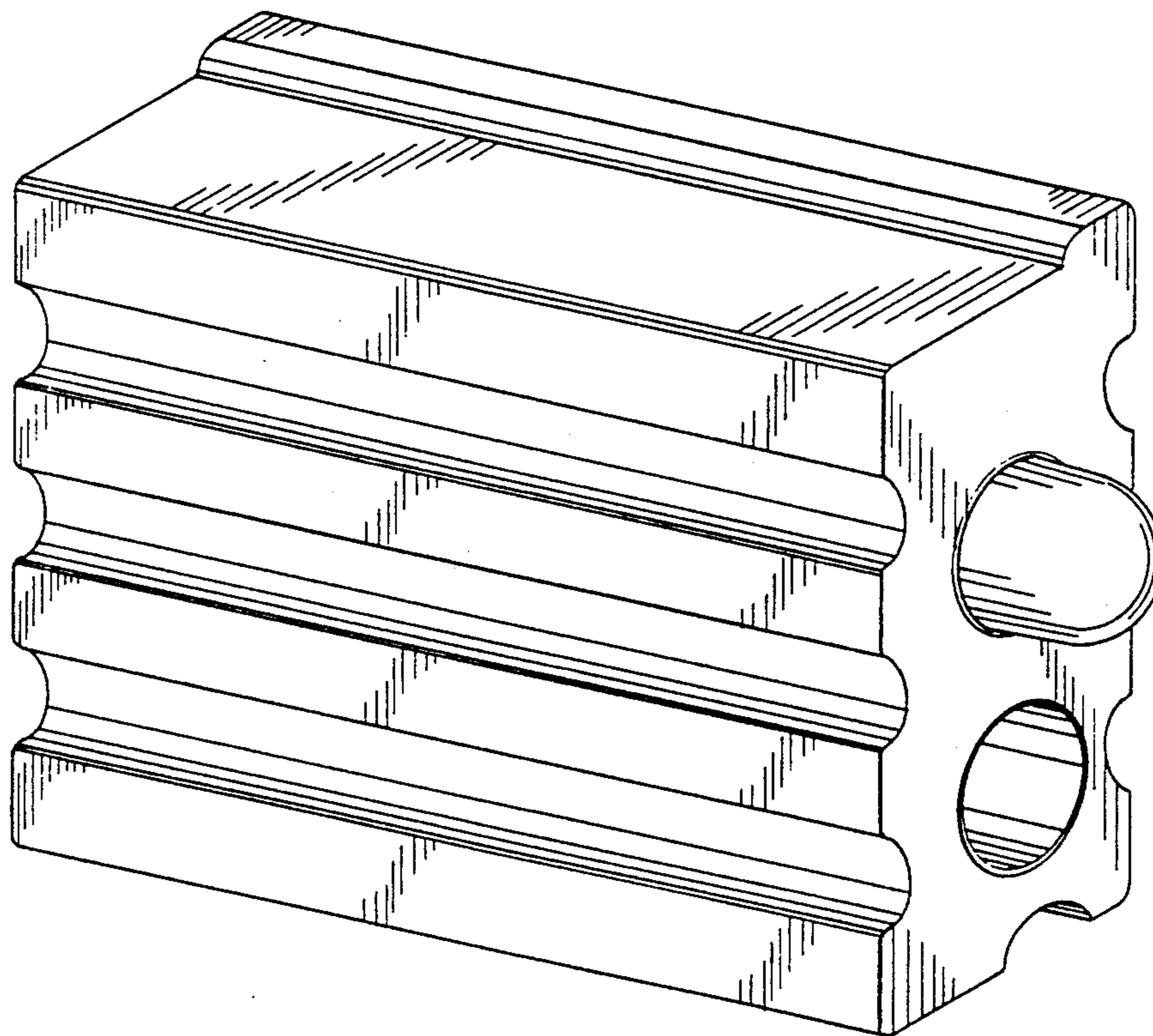
FIG. 3 depicts a front plan view of the construction block for use in a retaining wall, edging brick, or edging a yard of this invention;

FIG. 4 depicts a top plan view of the construction block for use in a retaining wall, edging brick, or edging a yard of this invention;

FIG. 5 depicts a bottom plan view of the construction block for use in a retaining wall, edging brick, or edging a yard of this invention;

FIG. 6 is a depicts a end elevational view of the construction block for use in a retaining wall, edging brick, or edging a yard of this invention, based on FIG. 1, a reverse view of FIG. 6 being clear from FIG. 2; and,

FIG. 7 depicts a rear elevational view of the construction block for use in a retaining wall, edging brick, or edging a yard of this invention.



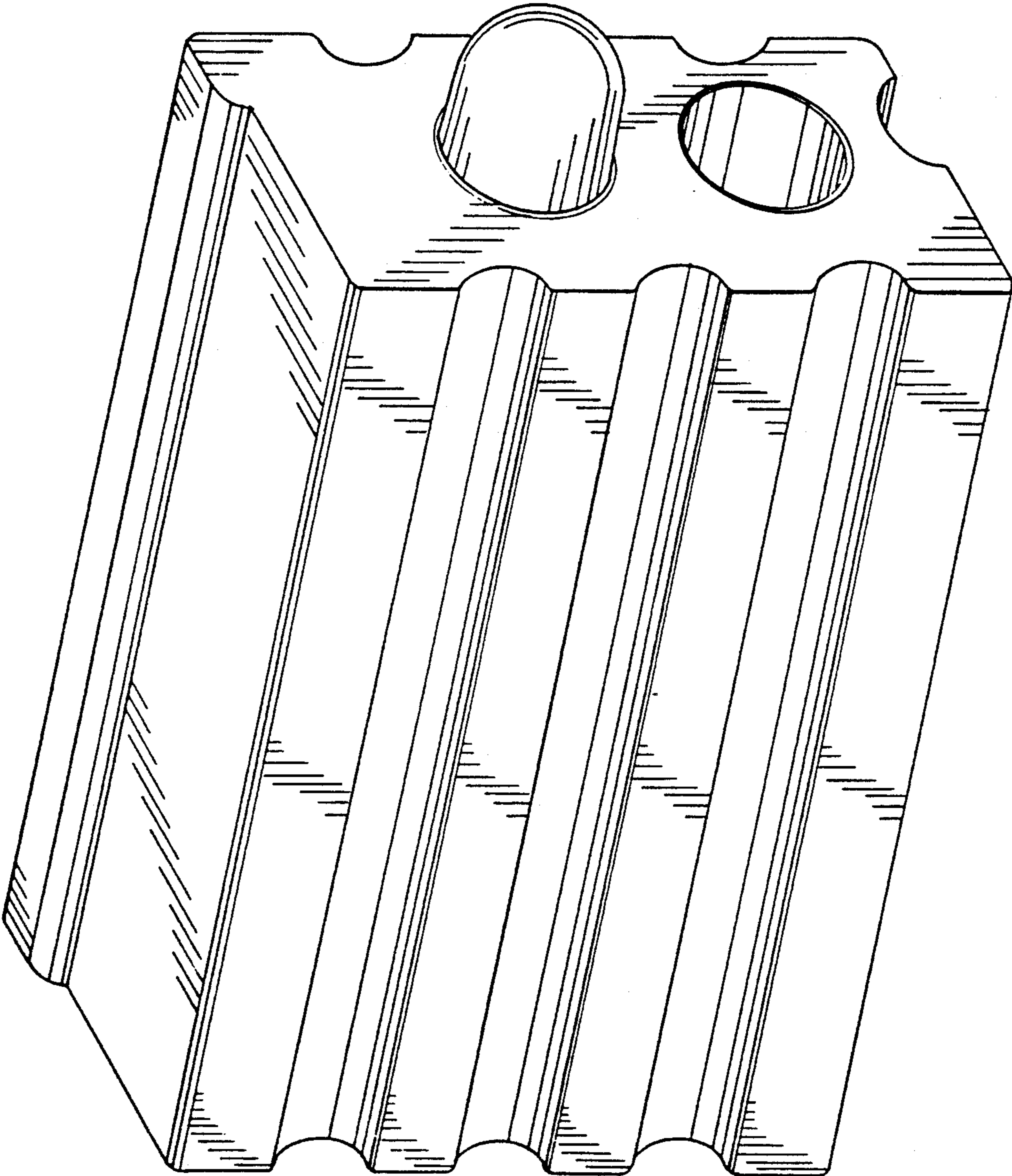


FIG. 1

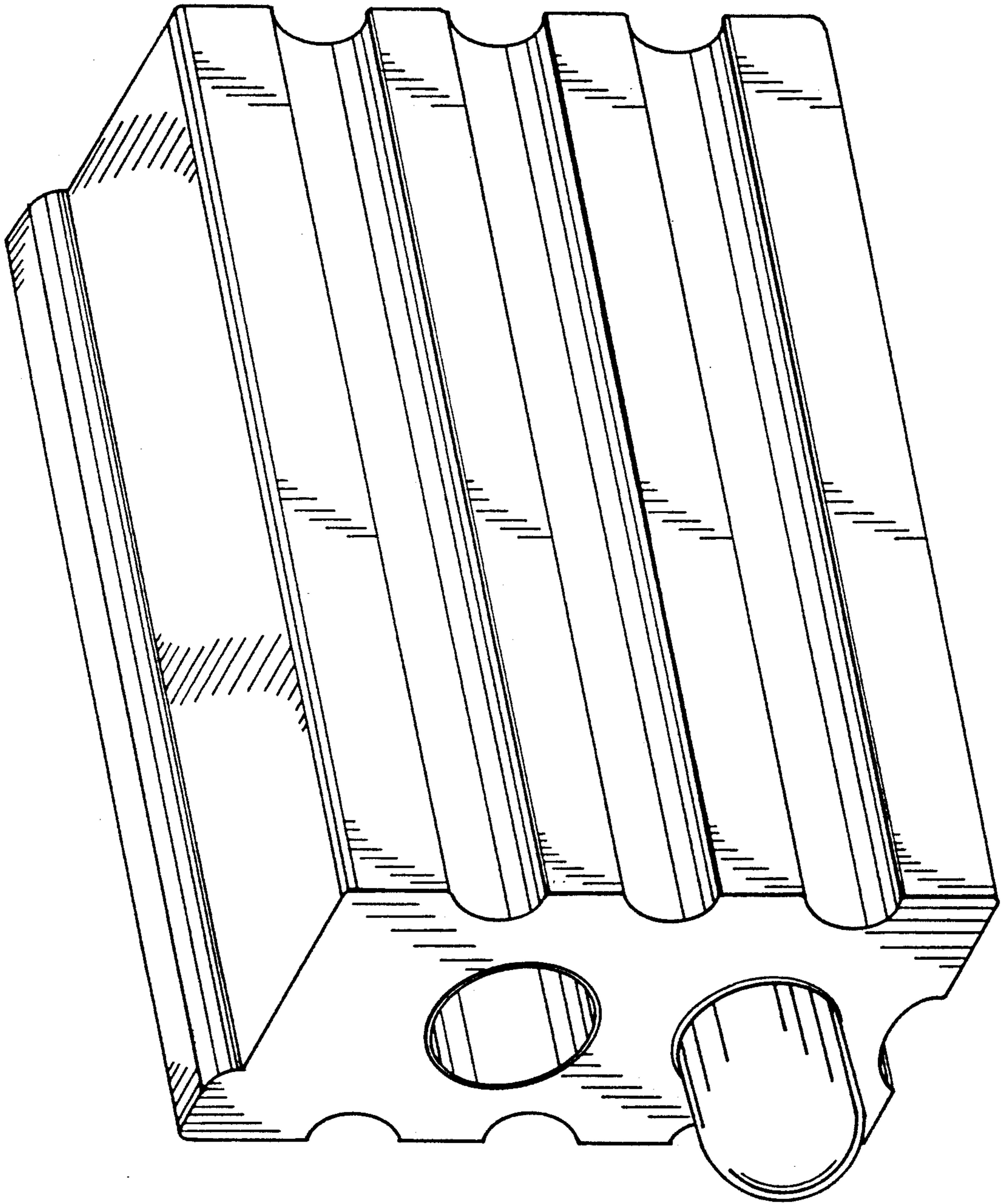


FIG. 2

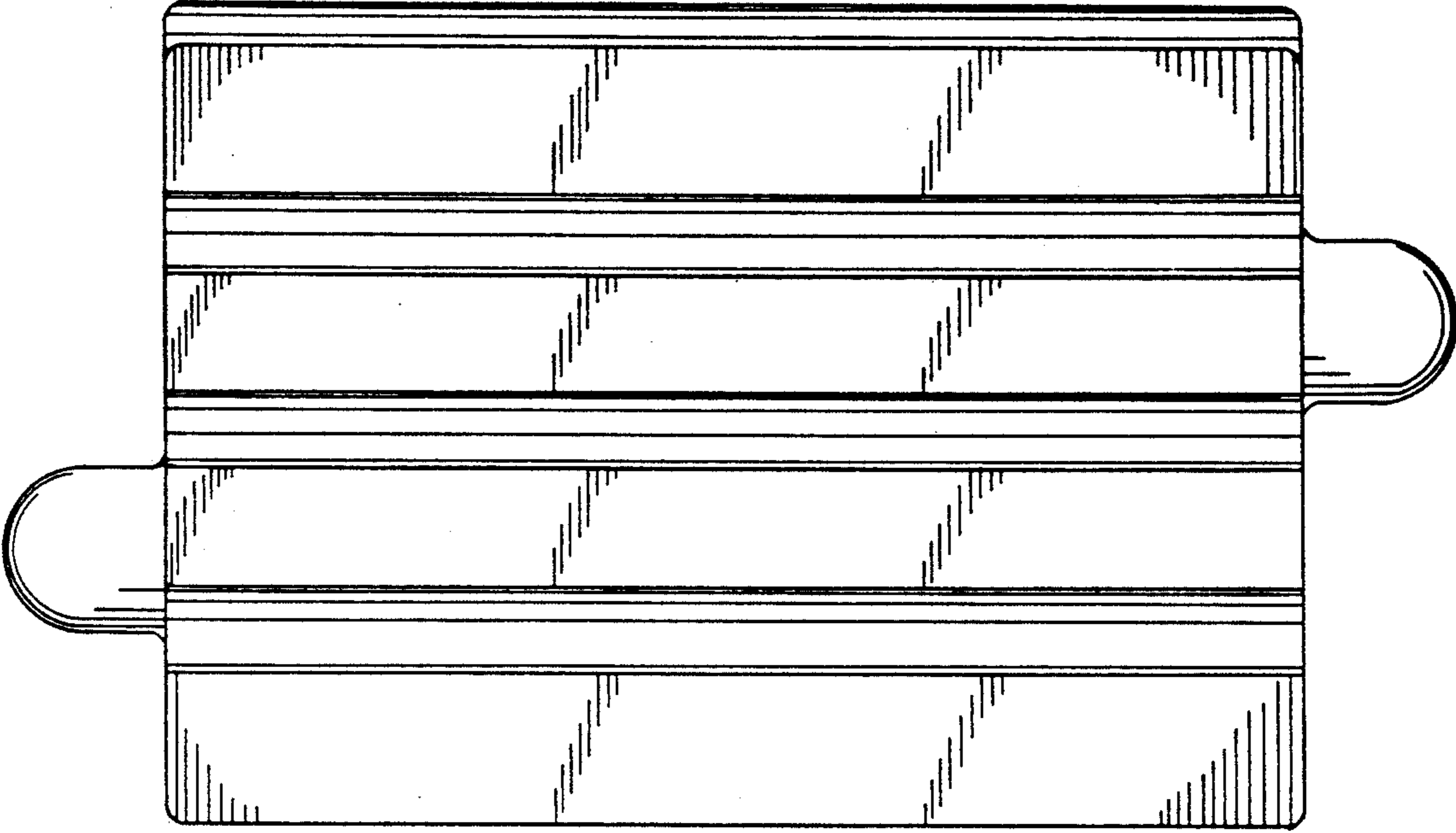


FIG. 3

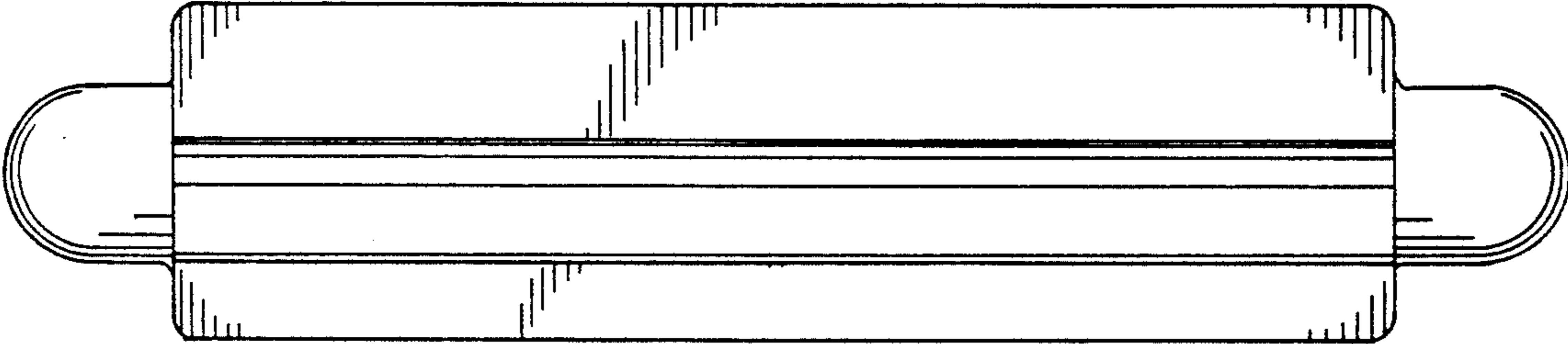


FIG. 4

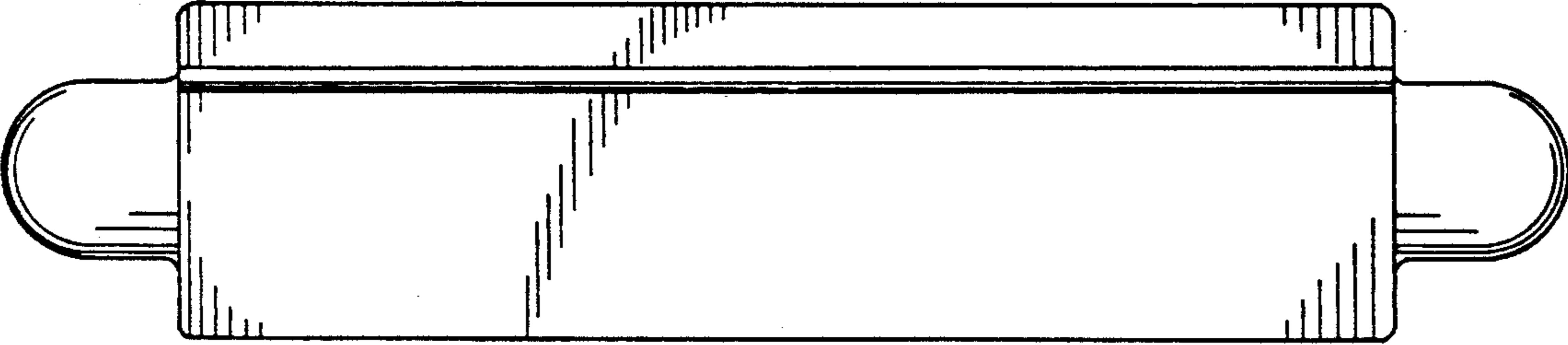


FIG. 5

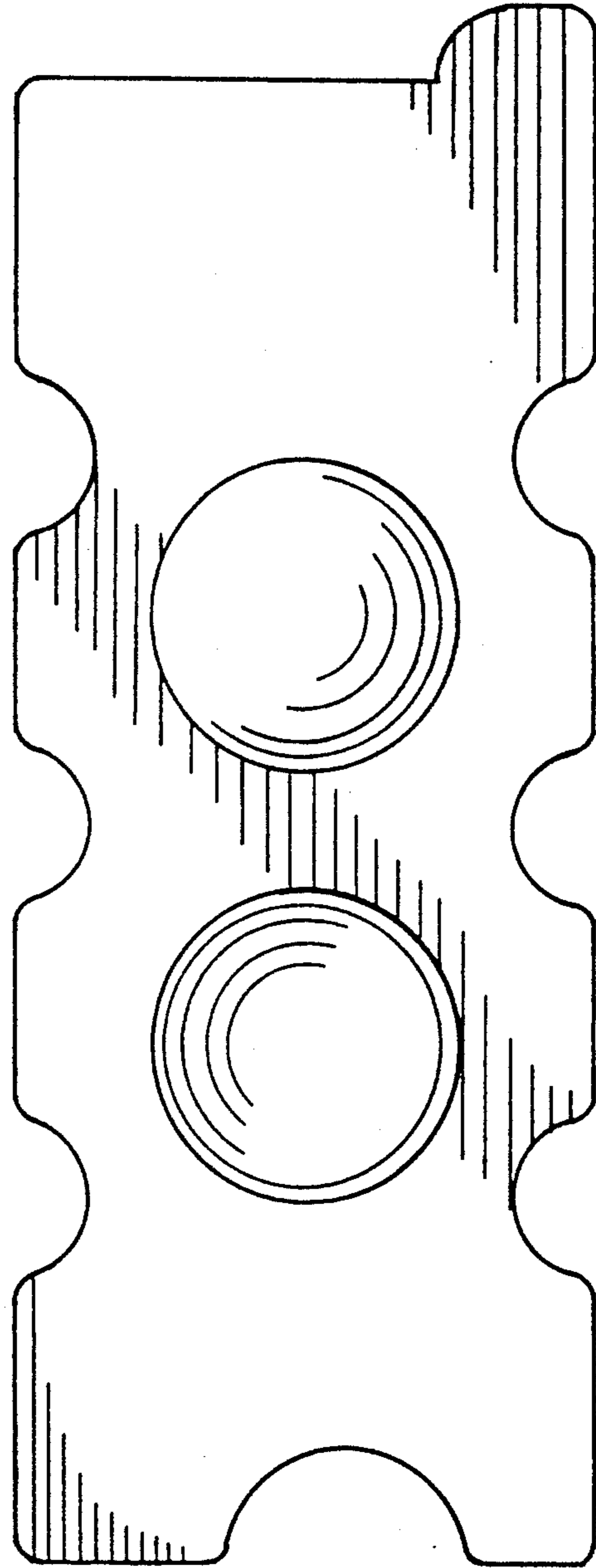


FIG. 6

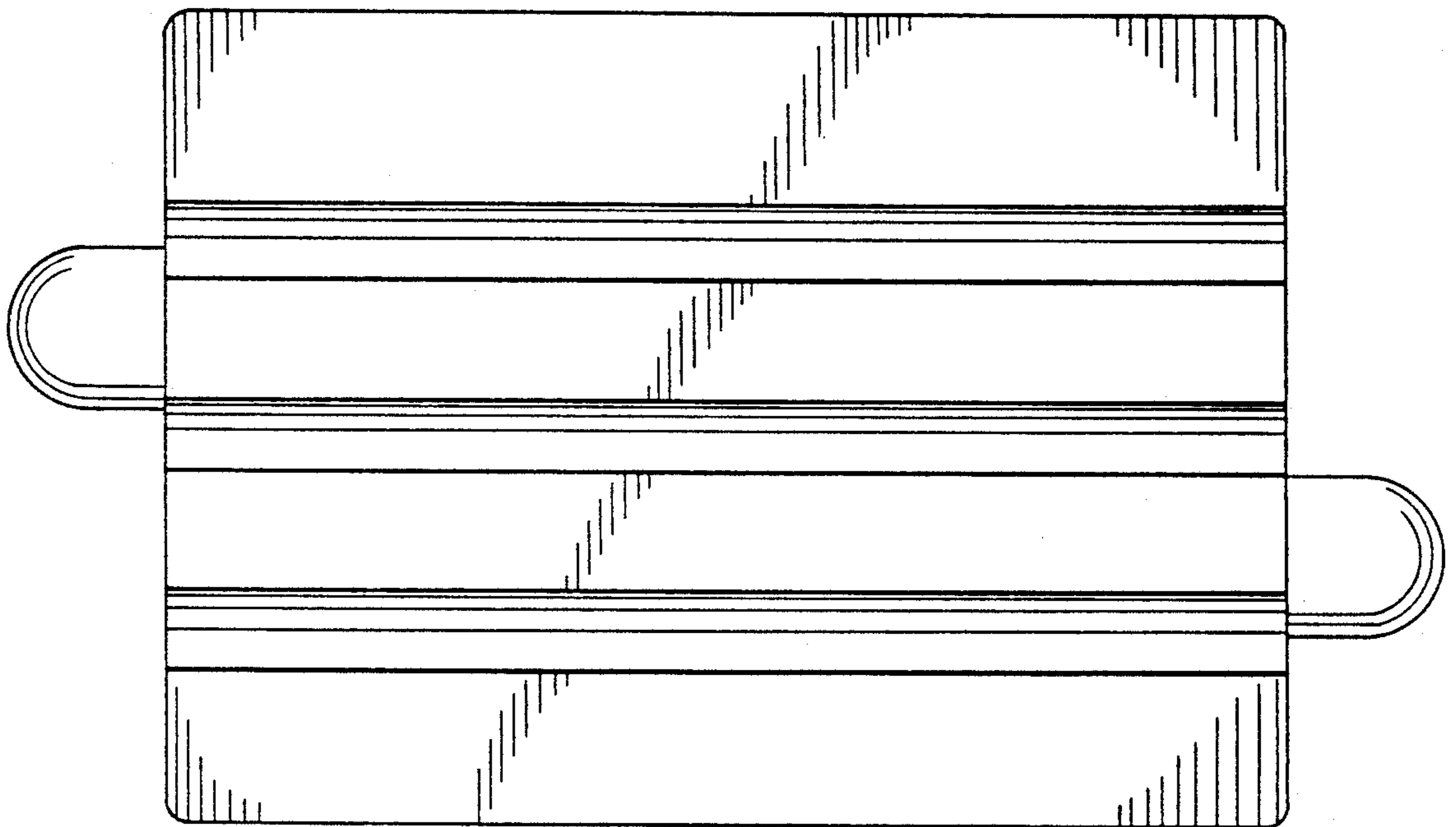


FIG. 7