



US00D336137S

# United States Patent [19]

[11] Patent Number: **Des. 336,137**

Bacome et al.

[45] Date of Patent: **\*\* Jun. 1, 1993**

[54] **COMMUNITY BUILDING**

[75] Inventors: **Edward A. Bacome; Philip G. Fankhauser**, both of Dublin; **Michael J. Fitzpatrick**, Columbus, all of Ohio

[73] Assignee: **The Epcon Group, Inc.**, Dublin, Ohio

[\*\*] Term: **14 Years**

[21] Appl. No.: **661,650**

[22] Filed: **Feb. 28, 1991**

[52] U.S. Cl. .... **D25/17; D25/22**

[58] Field of Search ..... **D25/1, 17, 22, 23, 27; 52/86, 64, 90, 91, 93, 79.1, 169.3**

[56] **References Cited**

**U.S. PATENT DOCUMENTS**

D. 255,495 6/1980 Sundstrom et al. .... **D25/23 X**

D. 274,756 7/1984 Marty et al. .... **D25/17 X**  
D. 275,891 10/1984 Fogler ..... **D25/17**  
D. 300,562 4/1989 Wilson ..... **D25/17**

*Primary Examiner*—**A. Hugo Word**

*Assistant Examiner*—**Doris V. Coles**

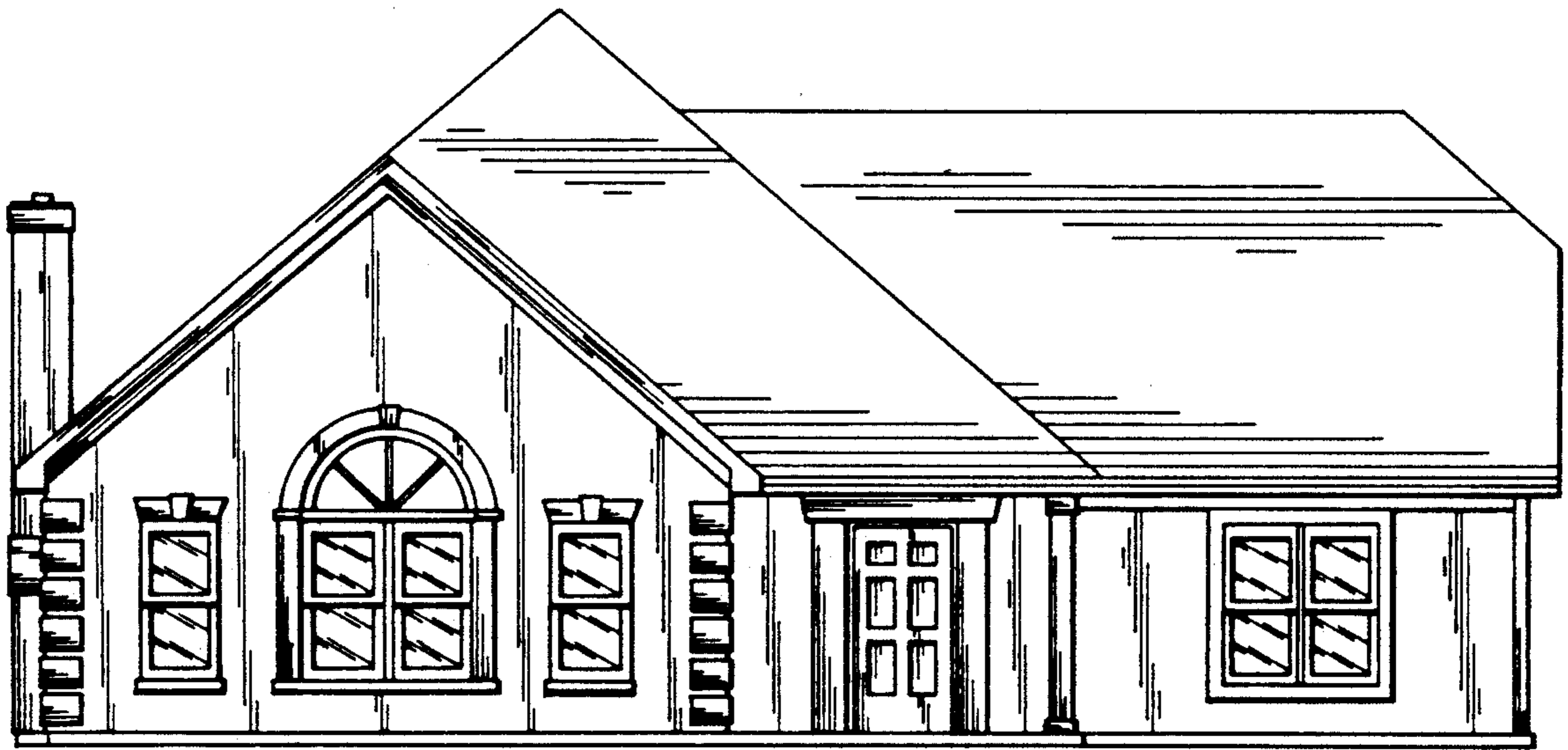
*Attorney, Agent, or Firm*—**Porter, Wright, Morris and Arthur**

[57] **CLAIM**

The ornamental design for a community building, as shown and described.

**DESCRIPTION**

FIG. 1 is a front elevational view of a community building showing our new design;  
FIG. 2 is a rear elevational view thereof;  
FIG. 3 is a right side elevational view thereof;  
FIG. 4 is a left side elevational view thereof; and,  
FIG. 5 is a top plan view thereof.



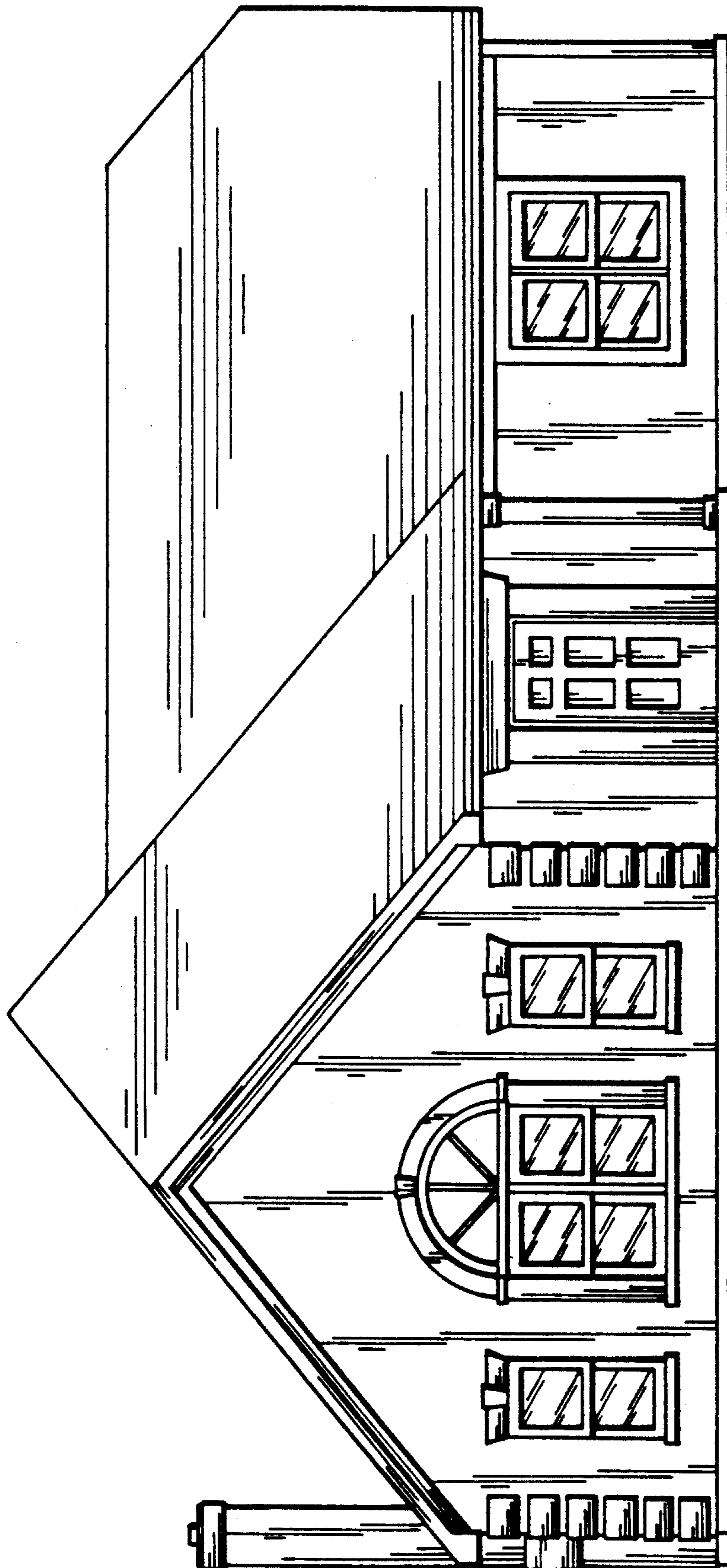


FIG. 1

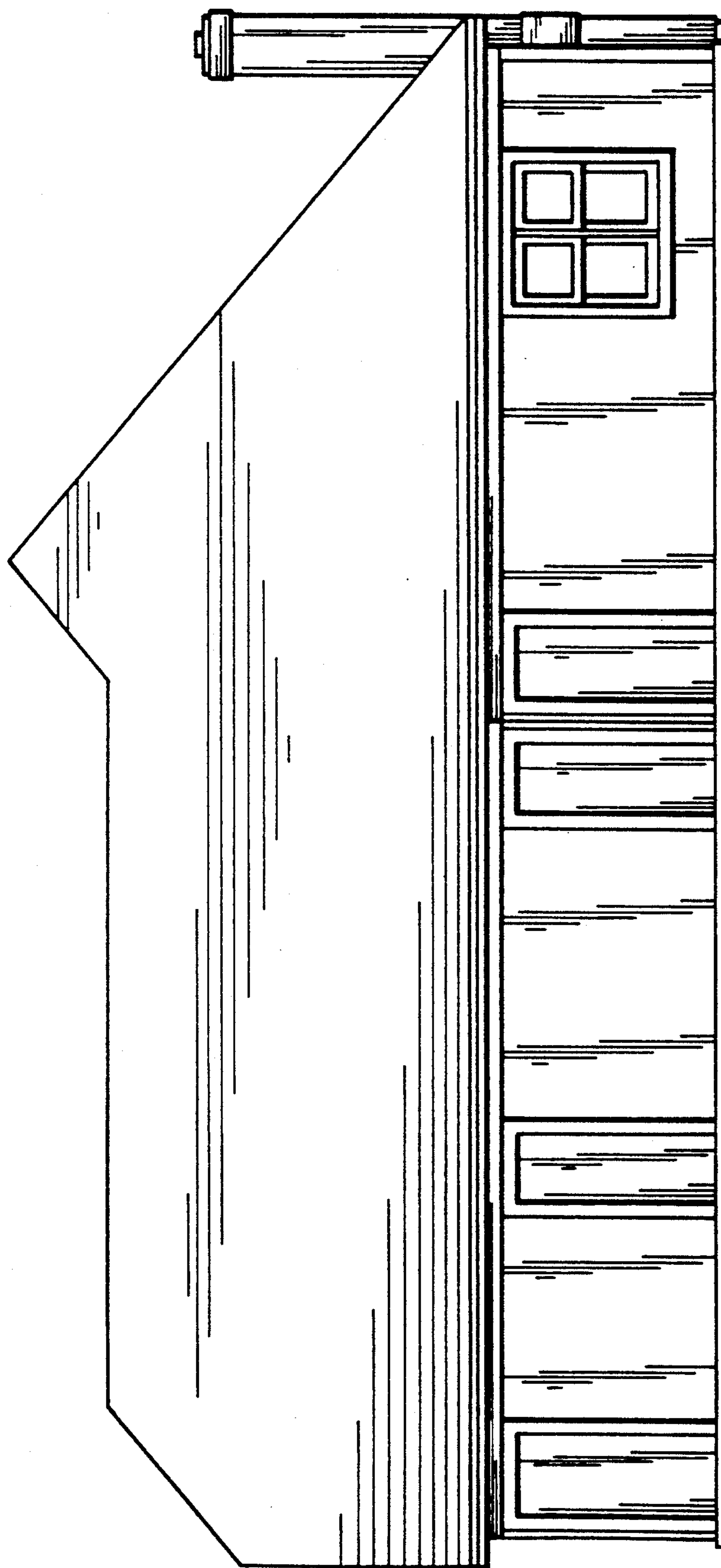


FIG. 2

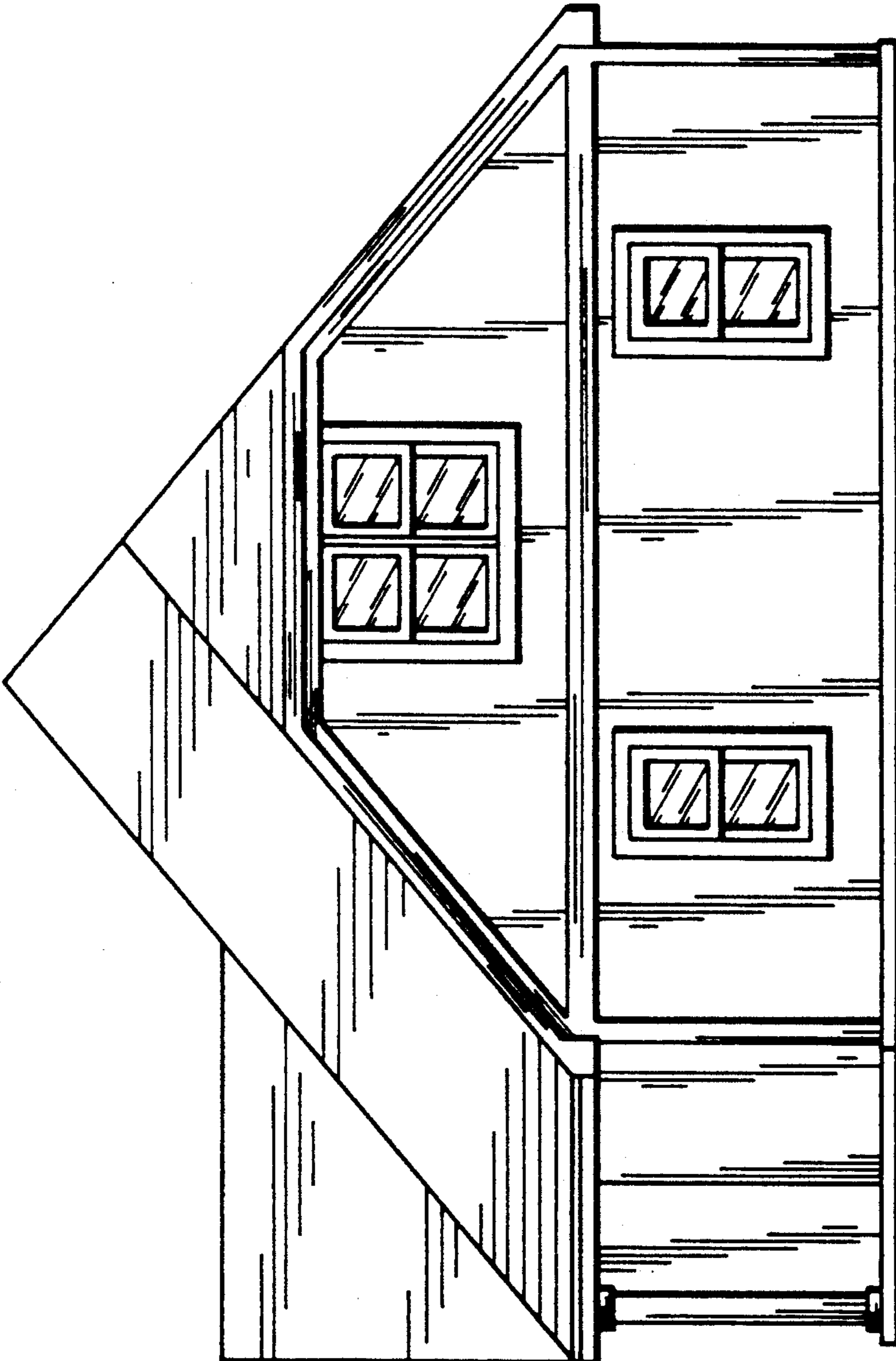


FIG. 3



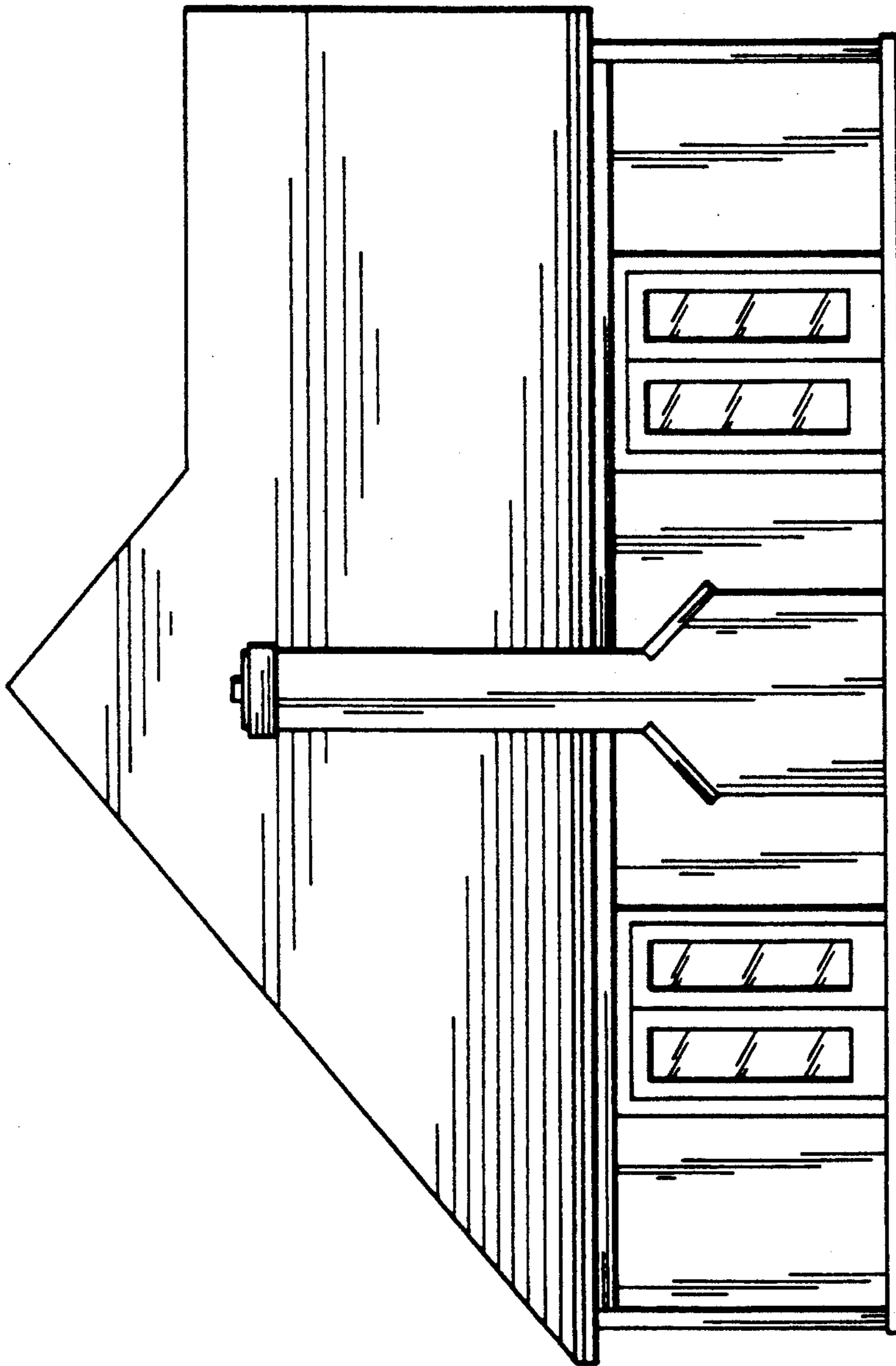


FIG. 4

