



US00D336135S

United States Patent [19]

[11] Patent Number: **Des. 336,135**

Alexander et al.

[45] Date of Patent: **** Jun. 1, 1993**

[54] PACIFIER CONTAINER

2,860,639 11/1958 Hoover .
 4,329,996 5/1982 Copeland D24/194 X
 4,417,613 11/1983 Ryan .
 4,493,324 1/1985 Johnston .

[76] Inventors: **Jacqueline W. Alexander; Robert Davey**, both of 162-Main St. N., Campbellville, Ontario, Canada, L0P-1B0

Primary Examiner—Stella Reid
Attorney, Agent, or Firm—Terry M. Gernstein

[**] Term: **14 Years**

[57] **CLAIM**

[21] Appl. No.: **665,184**

The ornamental design for a pacifier container, as shown and described.

[22] Filed: **Mar. 6, 1991**

DESCRIPTION

[52] U.S. Cl. **D24/194**

[58] Field of Search **D24/194, 193, 195; 606/234-236; D7/612, 629**

FIG. 1 is a perspective view of a pacifier container, showing our new design;

[56] **References Cited**

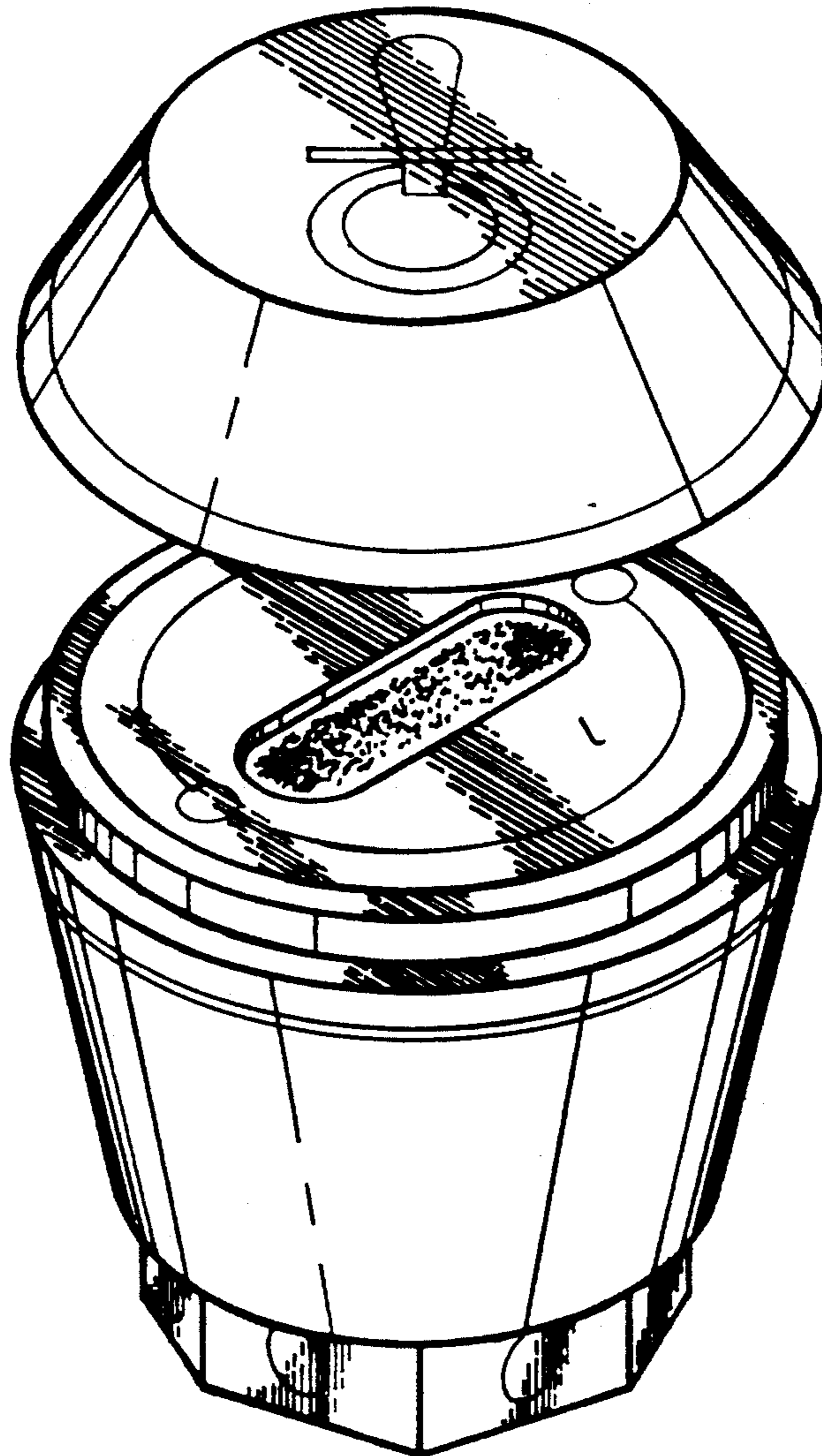
U.S. PATENT DOCUMENTS

D. 299,534 1/1989 Mastropierro D24/194

FIG. 2 is a side elevational view thereof, with all other side elevational views being identical thereto;

FIG. 3 is a top plan view thereof; and,

FIG. 4 is a bottom plan view thereof.



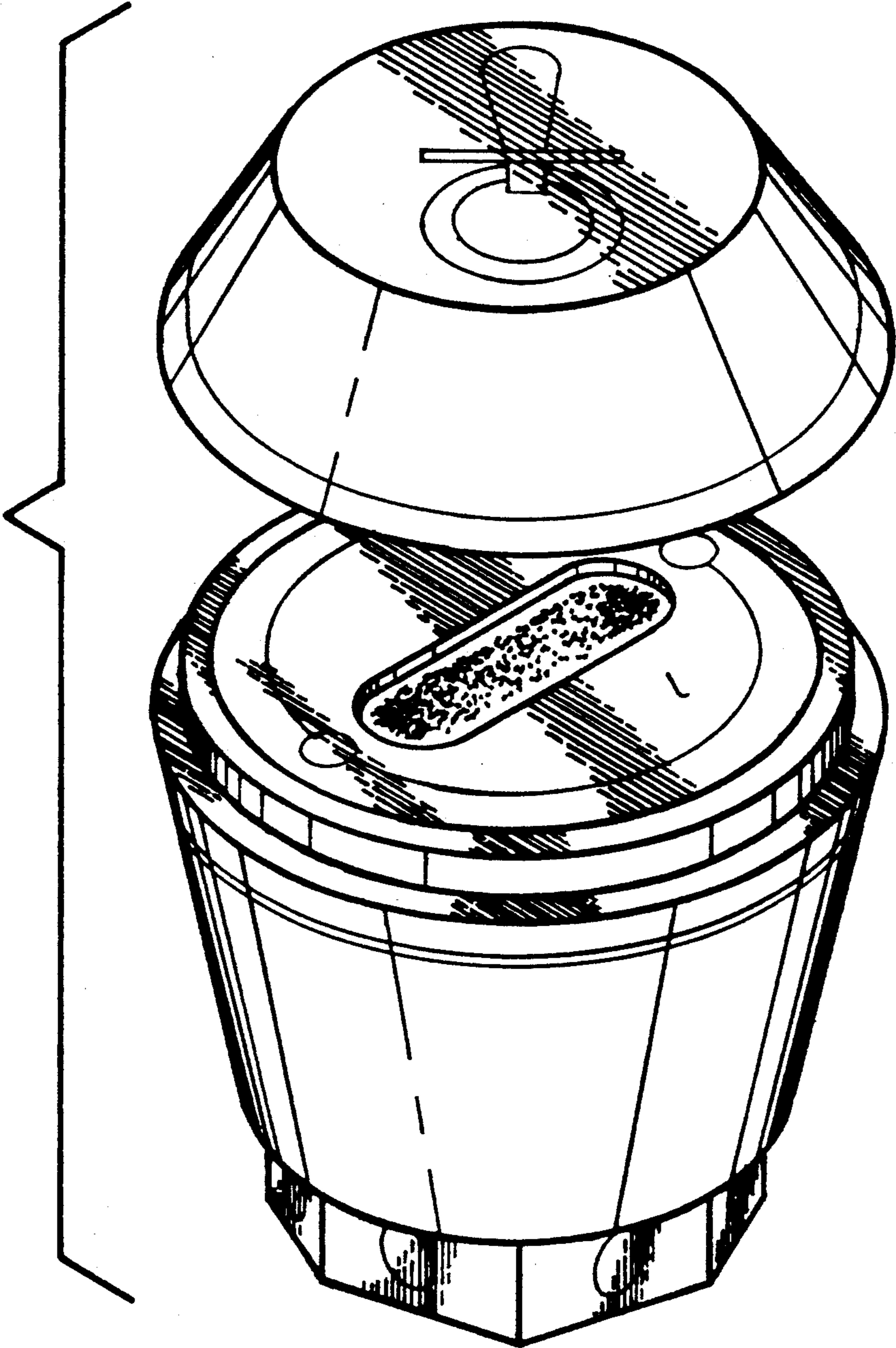


FIG. 1

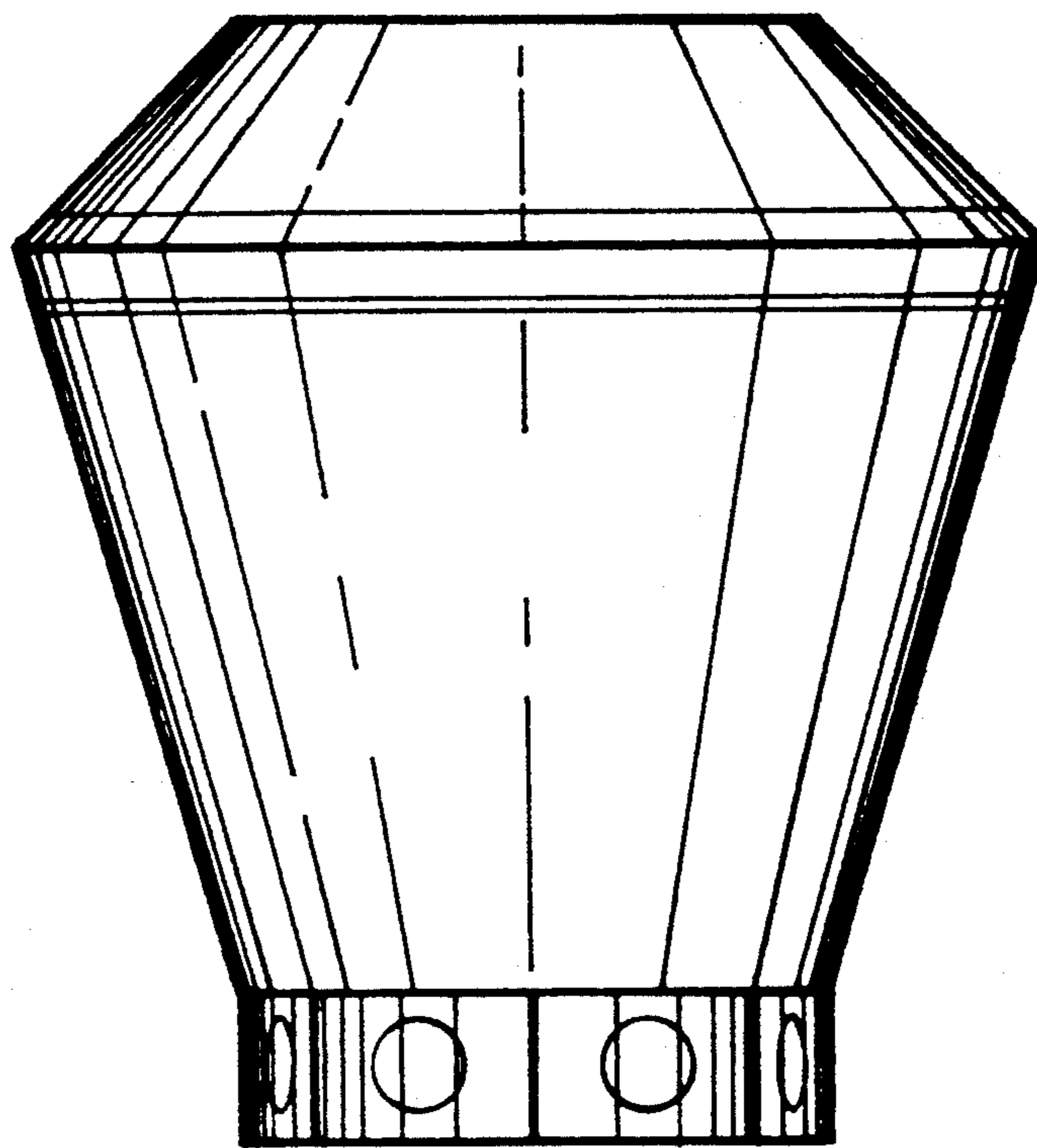


FIG. 2

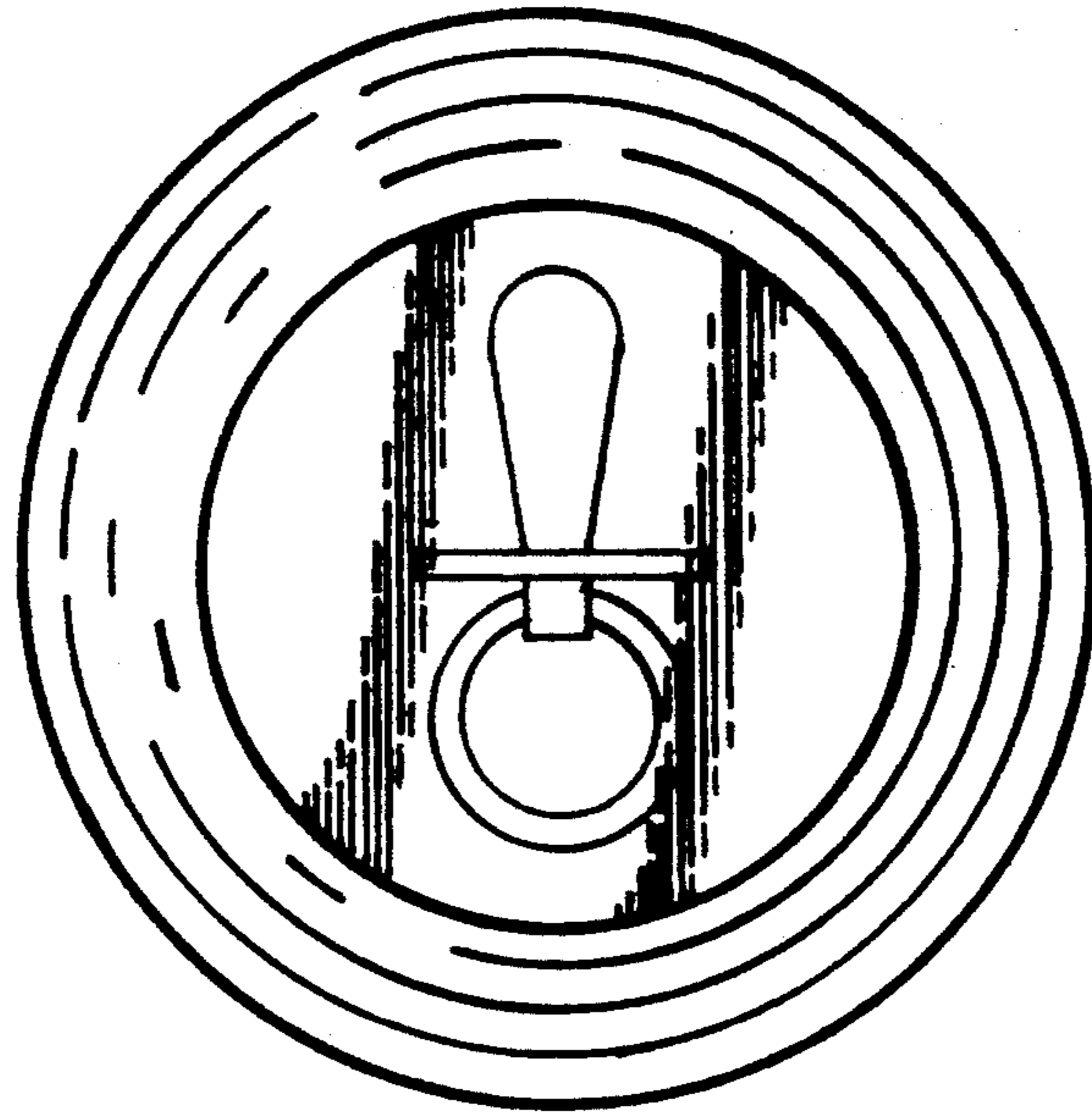


FIG. 3

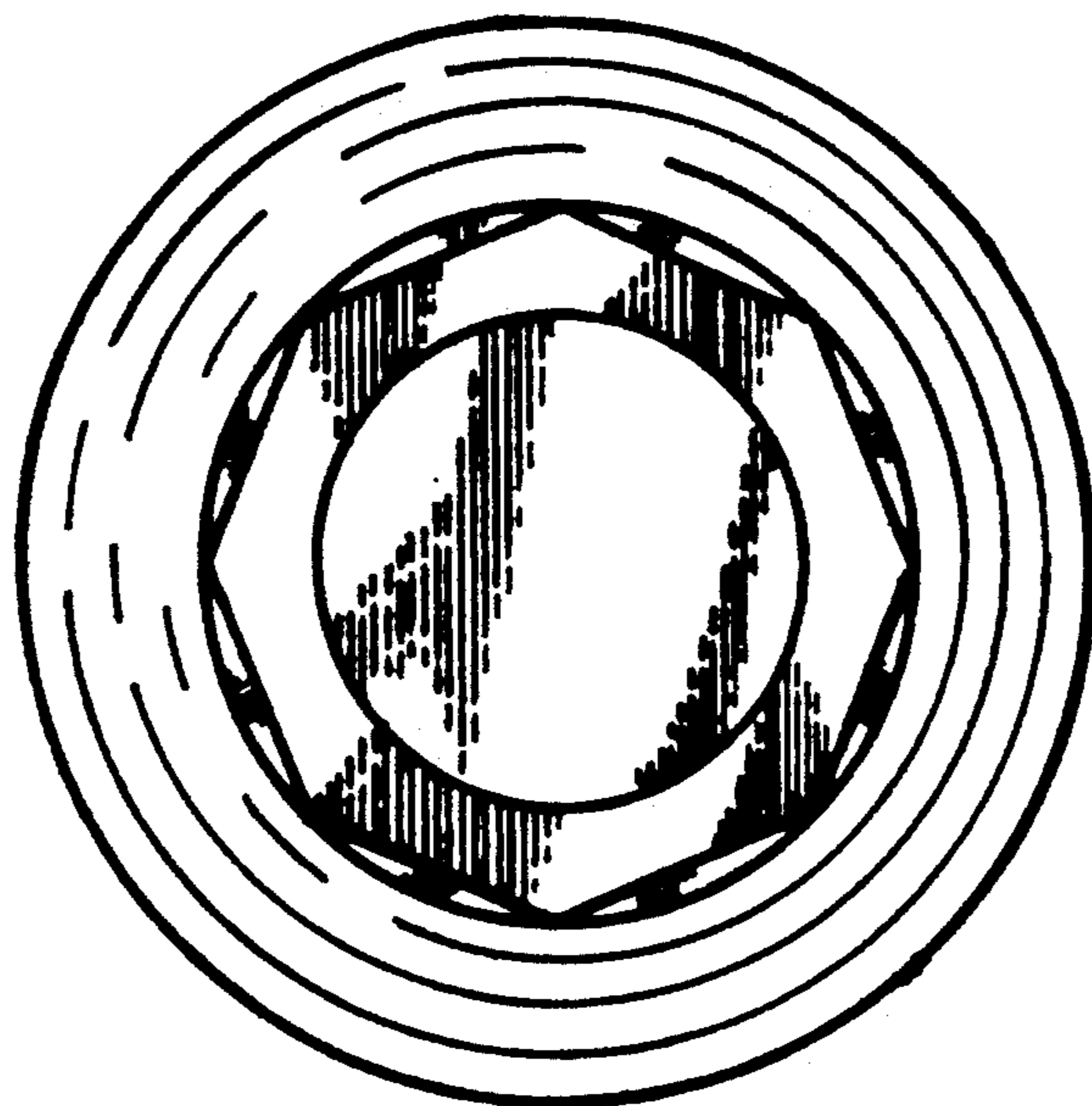


FIG. 4