



US00D336133S

# United States Patent [19]

[11] Patent Number: **Des. 336,133**

Burgio et al.

[45] Date of Patent: **\*\* Jun. 1, 1993**

## [54] OTOSCOPE

[76] Inventors: **Paul A. Burgio**, 4279 Brigadoon Dr., Shoreview, Minn. 55126; **Randall C. Nelms, Jr.**, 15 Ridge Rd., North Oaks, St. Paul, Minn. 55127

[\*\*] Term: **14 Years**

[21] Appl. No.: **708,612**

[22] Filed: **May 31, 1991**

[52] U.S. Cl. .... **D24/137**

[58] Field of Search ..... **D24/137; D21/159, 157; 128/9, 13**

## [56] References Cited

### U.S. PATENT DOCUMENTS

D. 182,179	2/1958	Graupensperger .....	D21/157
D. 207,372	4/1967	Pulos .....	D24/137
D. 221,109	7/1971	Heine .....	D24/137
D. 278,554	4/1985	Bain et al. ....	D24/137
3,373,737	3/1968	Moore et al. ....	128/9
4,567,881	2/1986	Heller .....	128/9
5,038,755	8/1991	Burgio et al. ....	128/9

## OTHER PUBLICATIONS

"Gentle Giants" Fall Catalog 1984 pp. 19, 31.  
The Bear Necessities "Bears For All Seasons" Teddy Bear Catalog ©1984 pp. 7, 8, 16.

*Primary Examiner*—Stella Reid  
*Assistant Examiner*—I. Simmons  
*Attorney, Agent, or Firm*—Woodcock Washburn Kurtz Mackiewicz & Norris

## [57] CLAIM

The ornamental design for an otoscope, as shown and described.

## DESCRIPTION

FIG. 1 is a side elevational view of an otoscope showing our new design;  
FIG. 2 is a front elevational view thereof;  
FIG. 3 is a side elevational view thereof, opposite to that shown in FIG. 1;  
FIG. 4 is a rear elevational view thereof;  
FIG. 5 is a top plan view thereof; and,  
FIG. 6 is a bottom plan view thereof.  
The broken line showing in FIGS. 1-6 is for illustrative purposes only and forms no part of the claimed design.

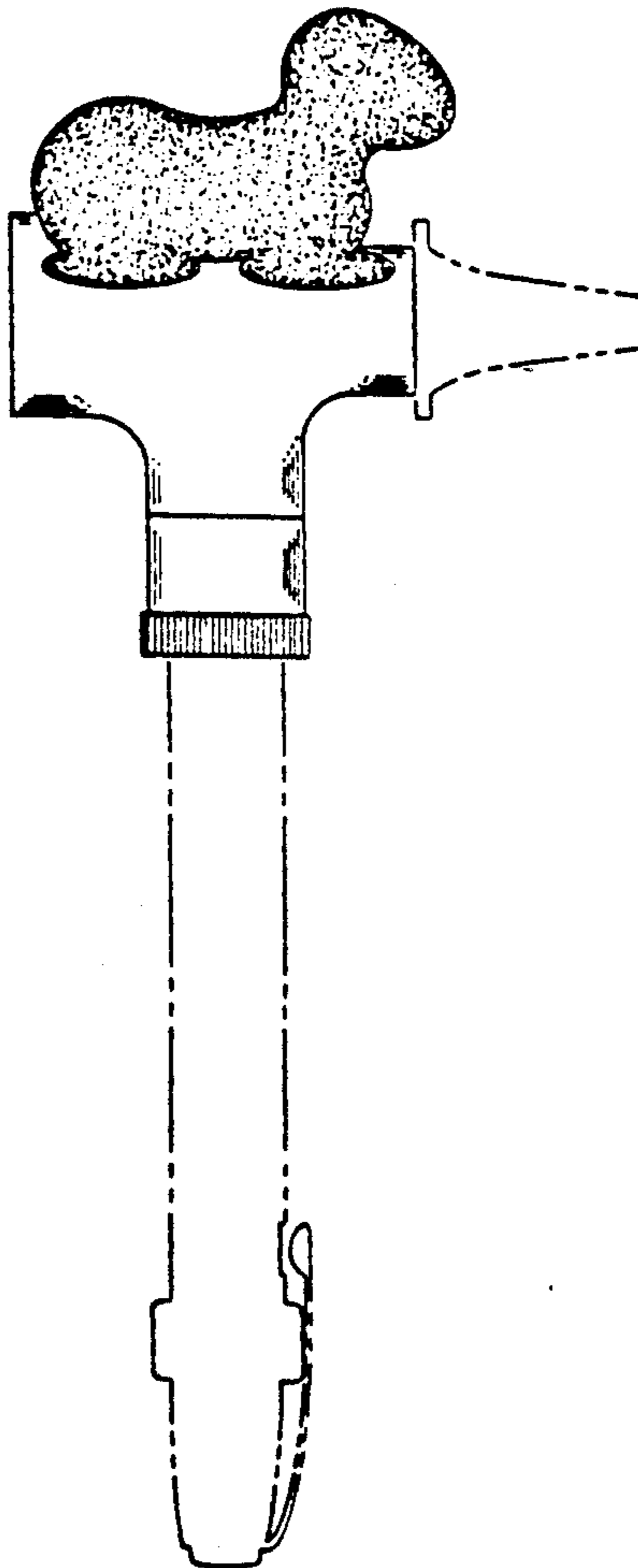


FIG. 1

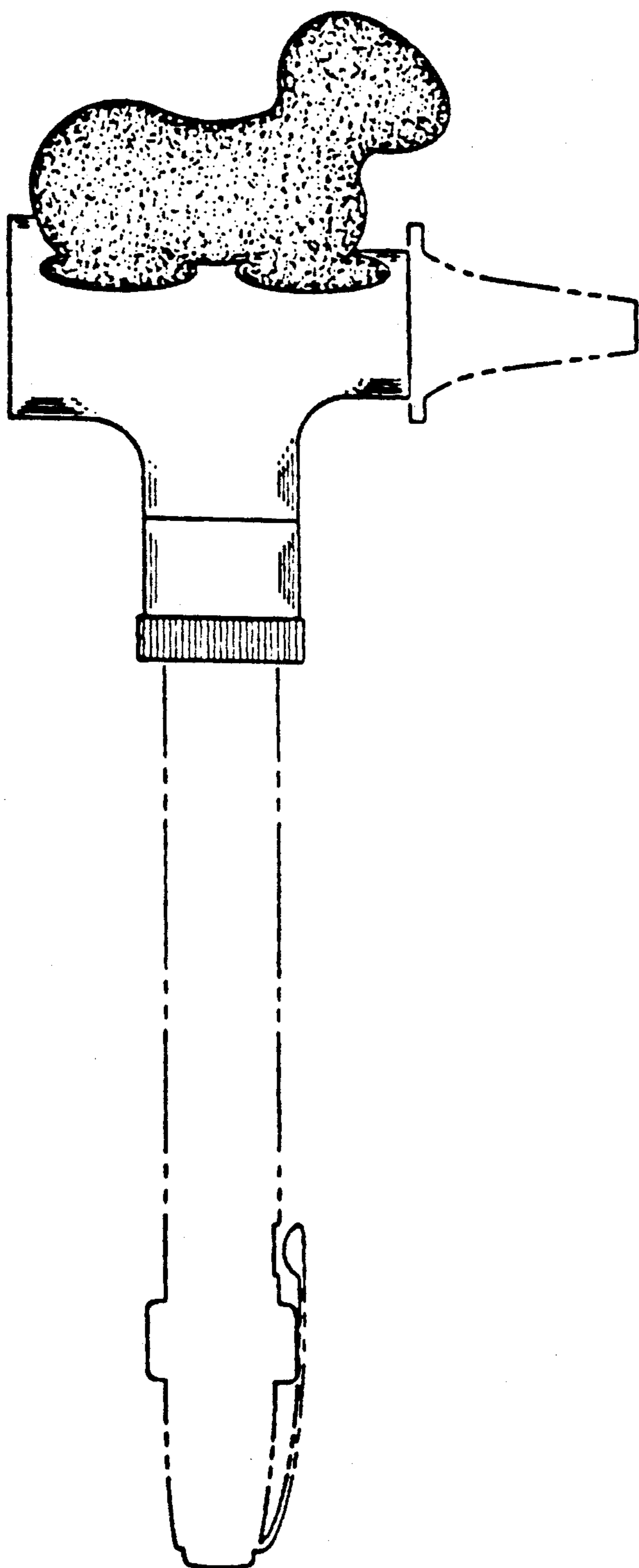


FIG. 2

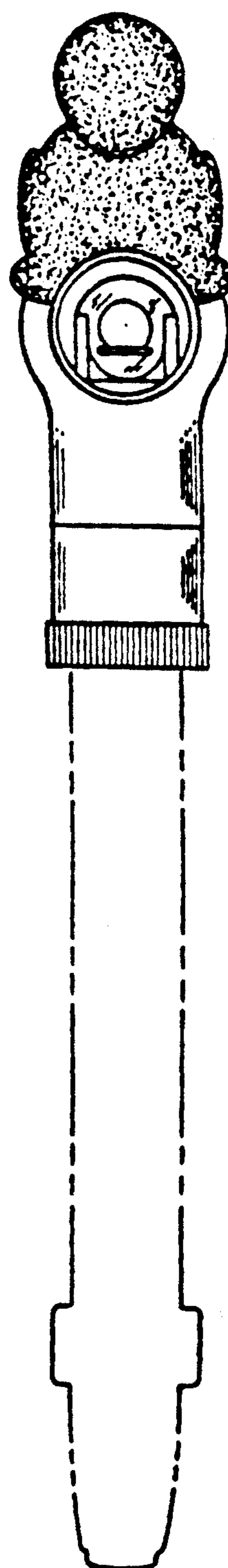


FIG. 3

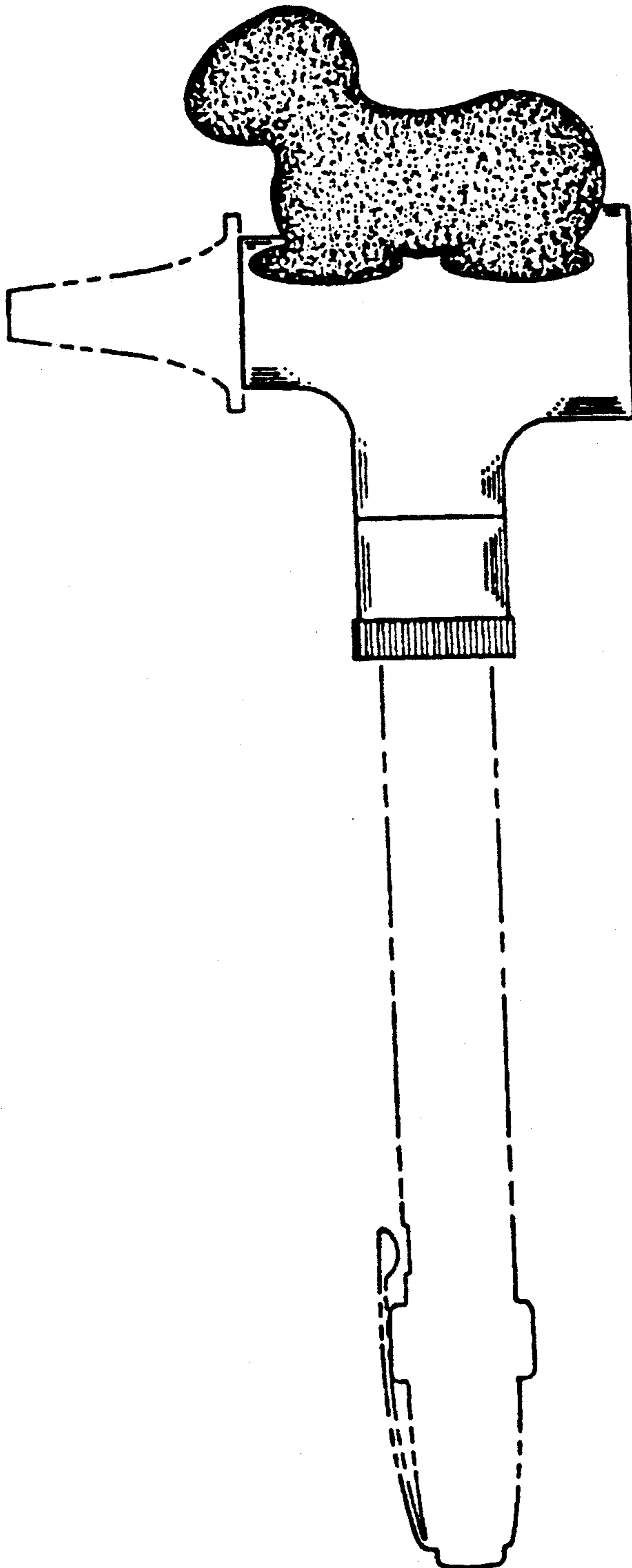


FIG. 4

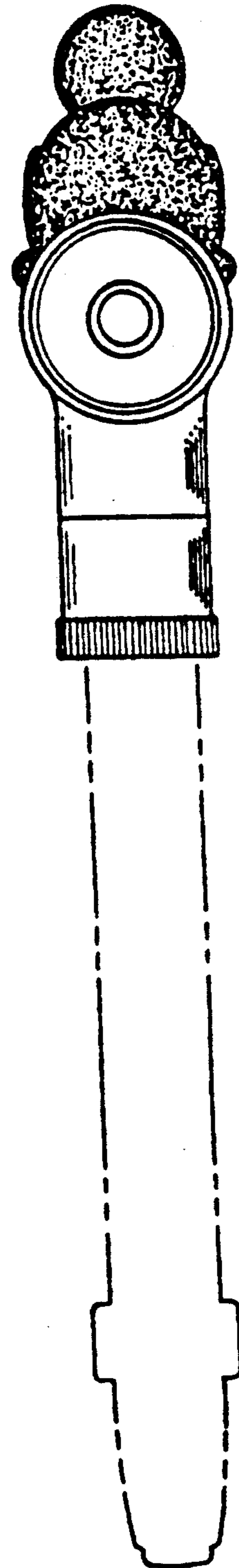


FIG. 5

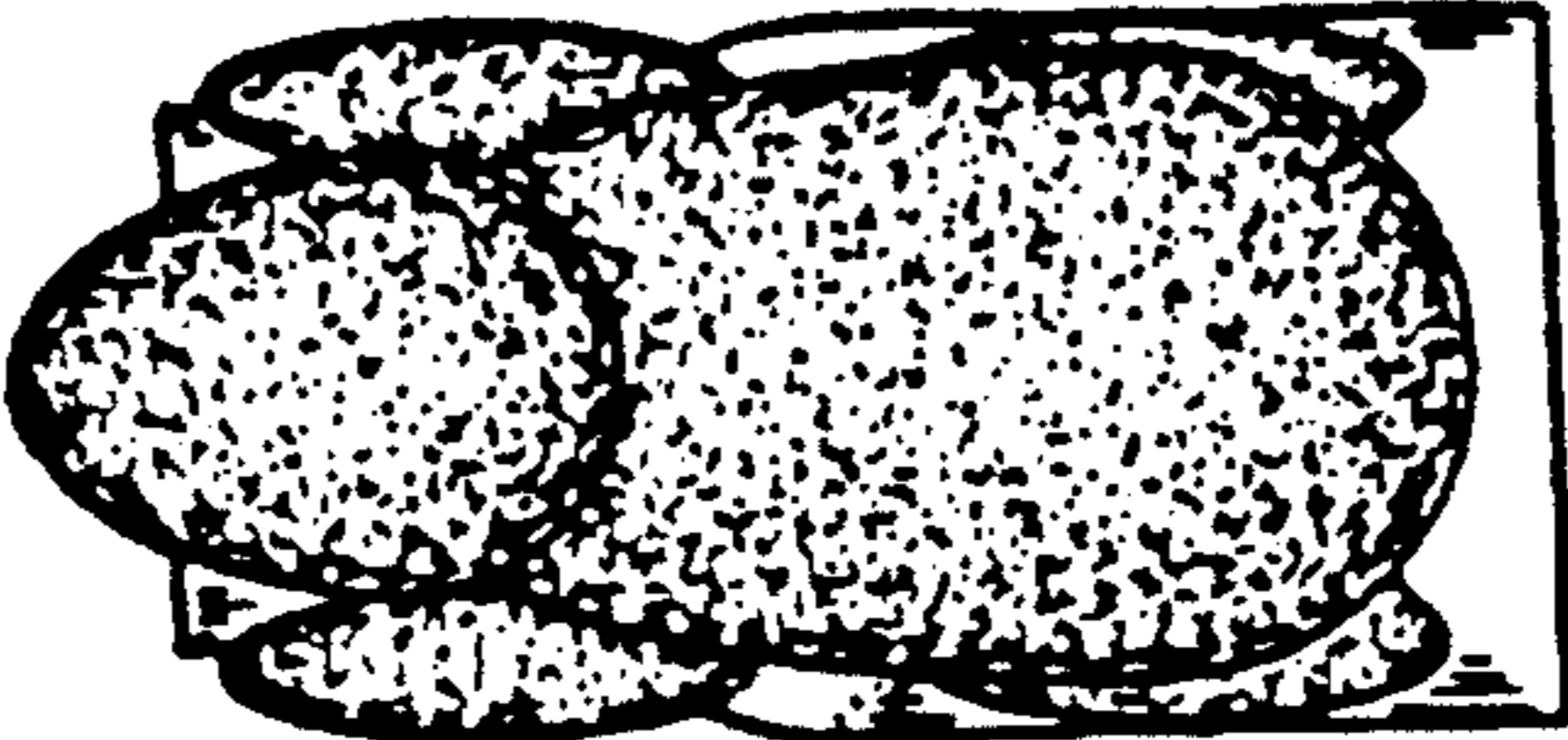


FIG. 6

