



US00D336131S

United States Patent [19]

Nordstrom et al.

[11] Patent Number: Des. 336,131

[45] Date of Patent: ** Jun. 1, 1993

[54] INSTRUMENT SUPPORT ATTACHMENT FOR DENTAL EQUIPMENT

[75] Inventors: Carl G. Nordstrom, Lake Oswego; Larry D. Lietz, Dundee; Larry D. Osterhoudt, Newberg, all of Oreg.

[73] Assignee: A-Dec, Inc., Newberg, Oreg.

[**] Term: 14 Years

[21] Appl. No.: 770,294

[22] Filed: Oct. 1, 1991

[52] U.S. Cl. D24/128

[58] Field of Search D24/127-128; D6/552, 569-572; 211/60.1, 70.6, 86, 89; 248/309.1, 310, 312, 316.1; 433/49, 53

[56] References Cited

U.S. PATENT DOCUMENTS

D. 162,224	2/1951	Ricard	D6/569	X
D. 190,429	5/1961	Hoagland	D6/552	
D. 252,429	7/1979	Morin	D6/569	
D. 273,162	3/1984	Halverson	D6/572	
D. 298,355	11/1988	Young	D24/128	X
3,318,457	5/1967	Krashoff	D24/128	X
3,696,920	10/1971	Lahay	D24/128	X
4,871,074	10/1989	Bryson et al.	211/70.6	

OTHER PUBLICATIONS

2 page composite of A-Dec, Inc. Equipment catalog showing instrument holder available in 1969, 1974, 1976, 1980, and 1990.

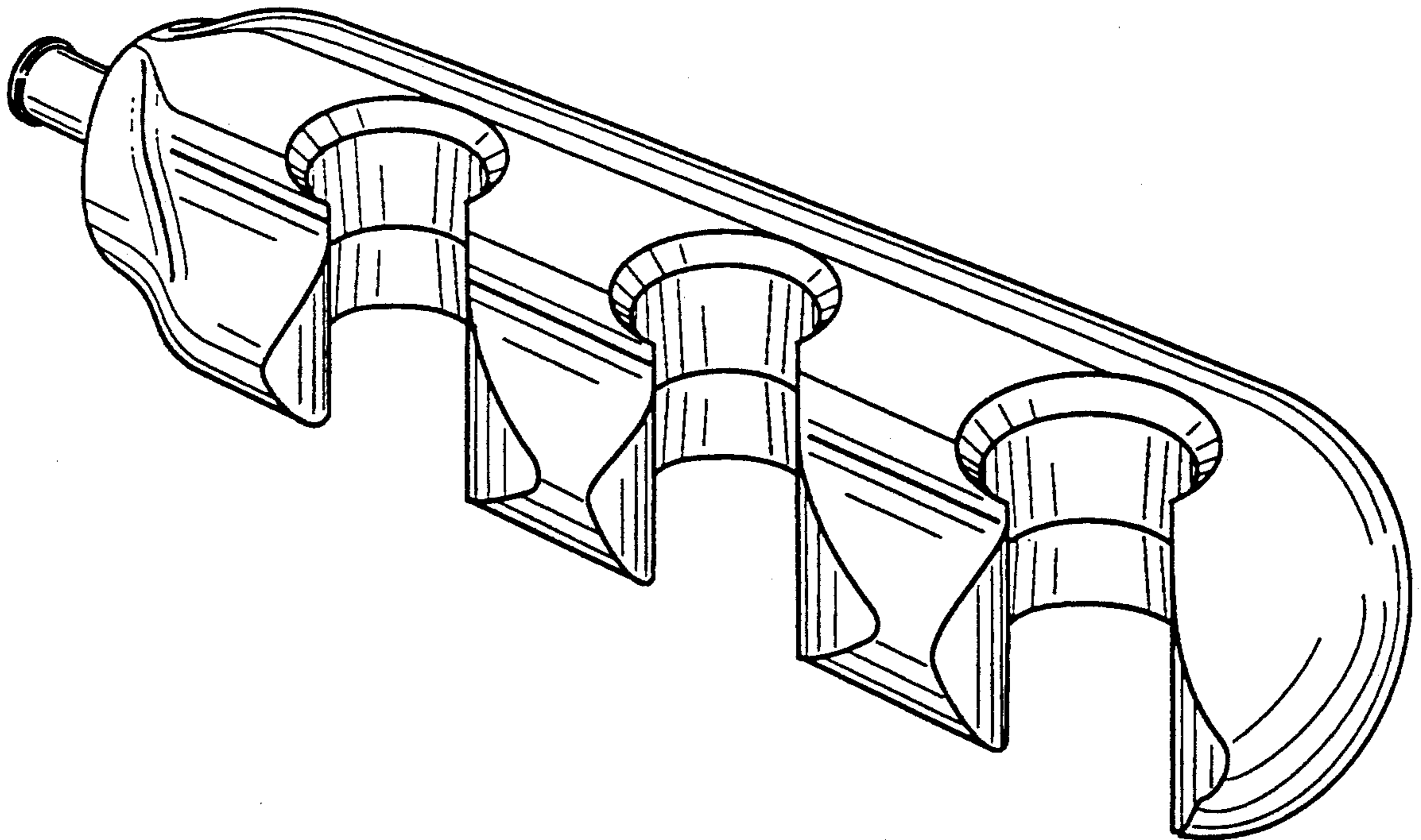
Primary Examiner—Brian N. Vinson
Attorney, Agent, or Firm—Klarquist Sparkman Campbell Leigh & Whinston

[57] CLAIM

The ornamental design for an instrument support attachment for dental equipment, as shown and described.

DESCRIPTION

FIG. 1 is a perspective view of an instrument support attachment for dental equipment showing our design; FIG. 2 is a left side elevation view of the instrument support attachment for dental equipment; FIG. 3 is a right side elevation view of the instrument support attachment for dental equipment; FIG. 4 is a rear elevation view of the instrument support attachment for dental equipment; FIG. 5 is a top plan view of the instrument support attachment for dental equipment; the bottom plan view of the instrument support attachment for dental equipment being the mirror image thereof; and, FIG. 6 is a front elevation view of the instrument support attachment for dental equipment.



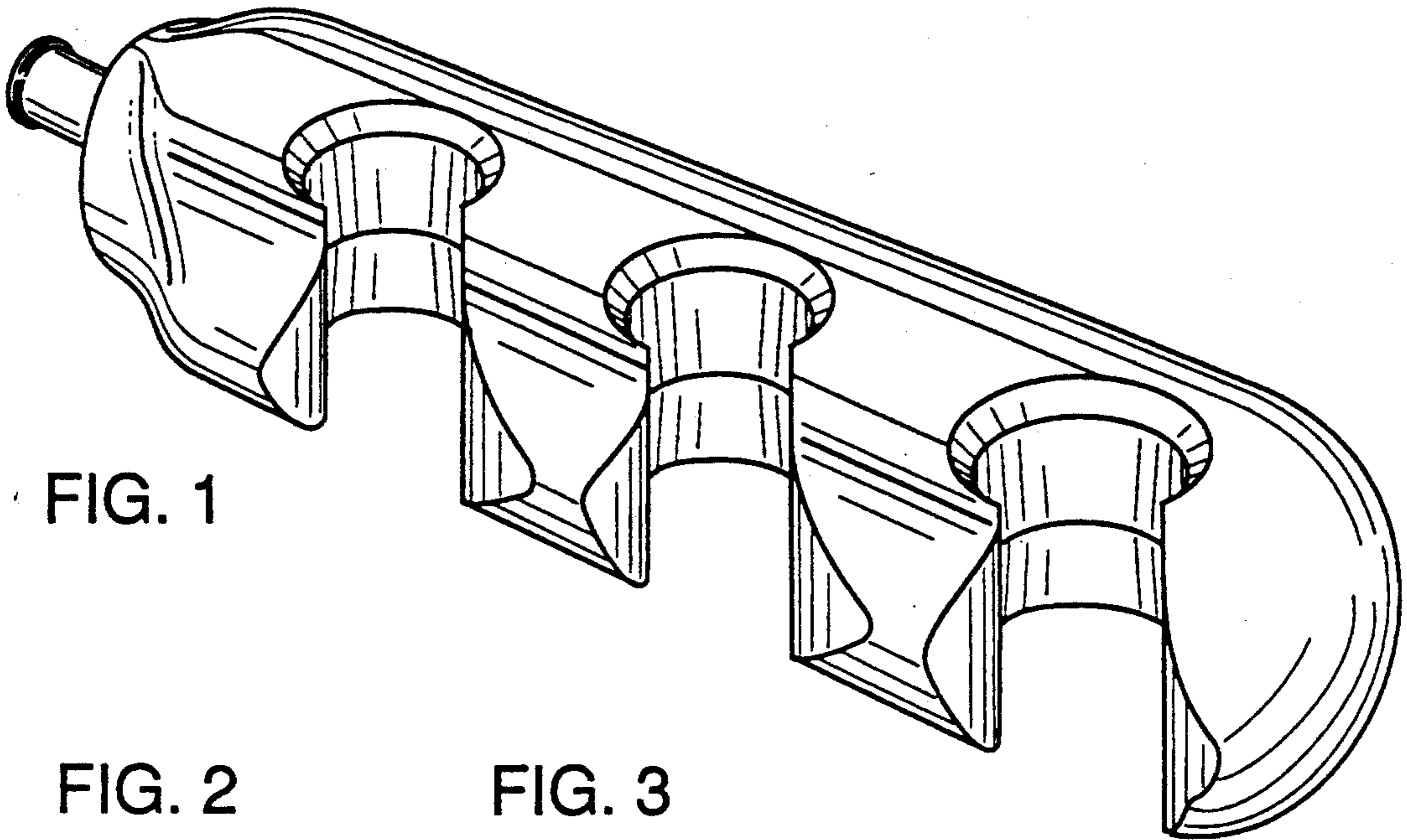


FIG. 1

FIG. 2

FIG. 3

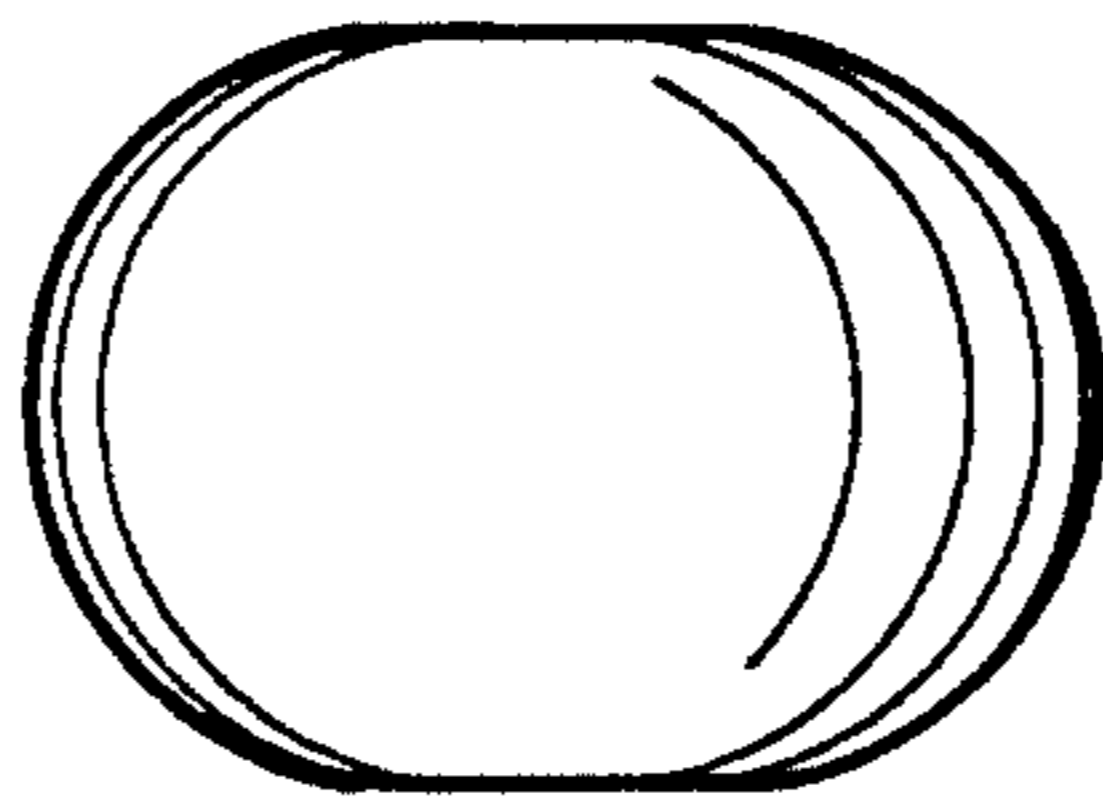
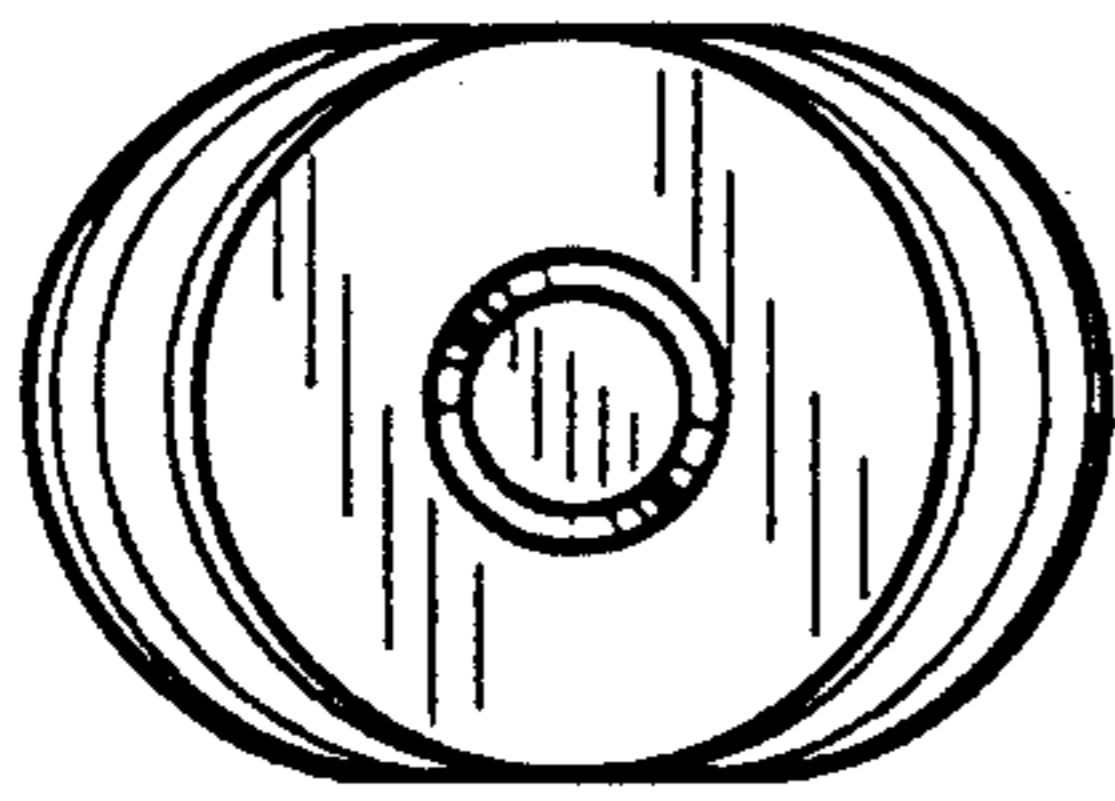


FIG. 4

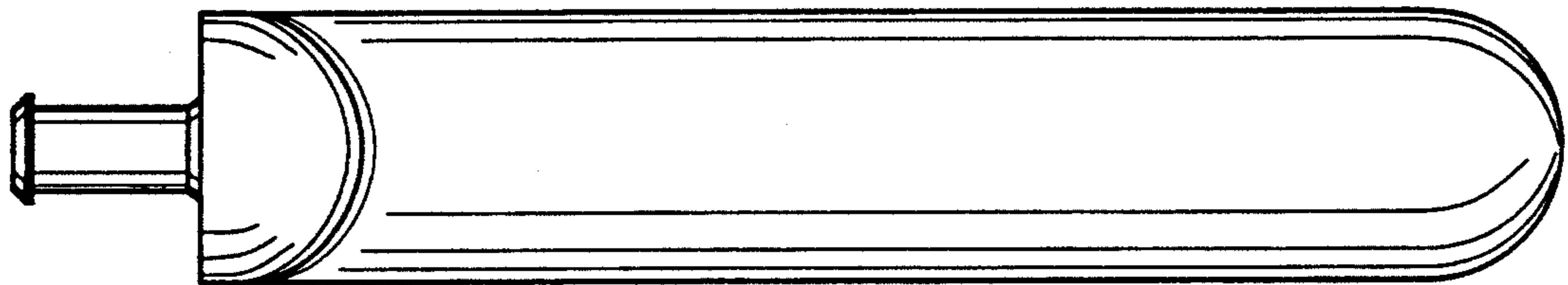


FIG. 5

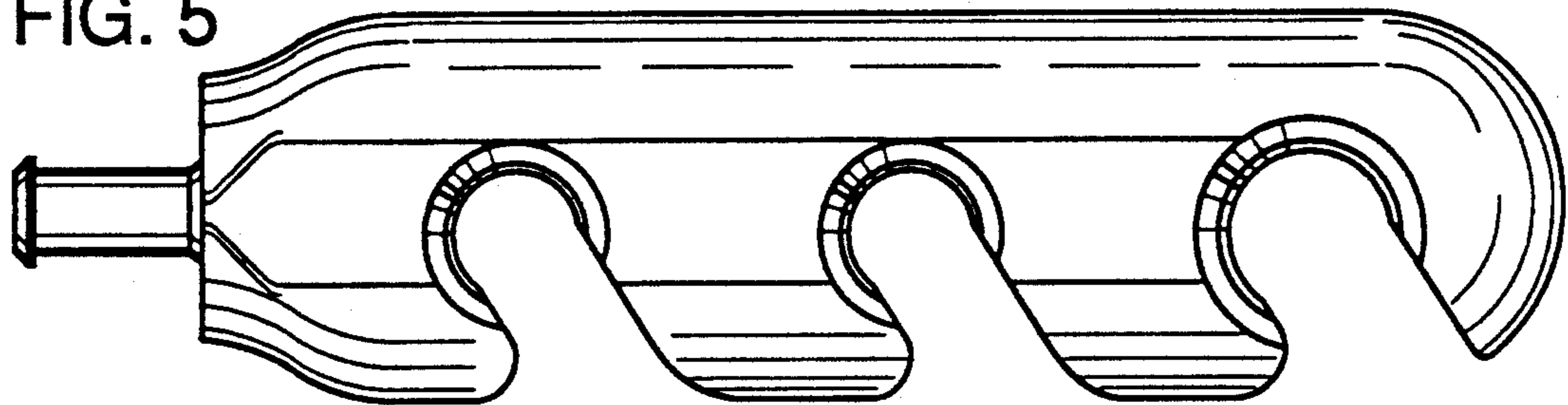


FIG. 6

