



US00D336128S

United States Patent [19]

[11] Patent Number: **Des. 336,128**

Sherrill

[45] Date of Patent: **** Jun. 1, 1993**

[54] **END COVER FOR A CUSTOM FIT INSULATION JACKET**

2479409 10/1981 France 137/375

[76] Inventor: **Daniel B. Sherrill**, 907 Tanglewood, Derby, Kans. 67037

Primary Examiner—Wallace R. Burke
Assistant Examiner—Lisa Lichtenstein
Attorney, Agent, or Firm—Phillip A. Rein

[**] Term: **14 Years**

[57] **CLAIM**

[21] Appl. No.: **591,898**

The ornamental design for an end cover for a custom fit insulation jacket, as shown and described.

[22] Filed: **Oct. 2, 1990**

DESCRIPTION

[52] U.S. Cl. **D23/386; D7/608**

[58] Field of Search **D23/386; D7/605, 608; 137/375; 285/47, 53; 150/154**

[56] **References Cited**

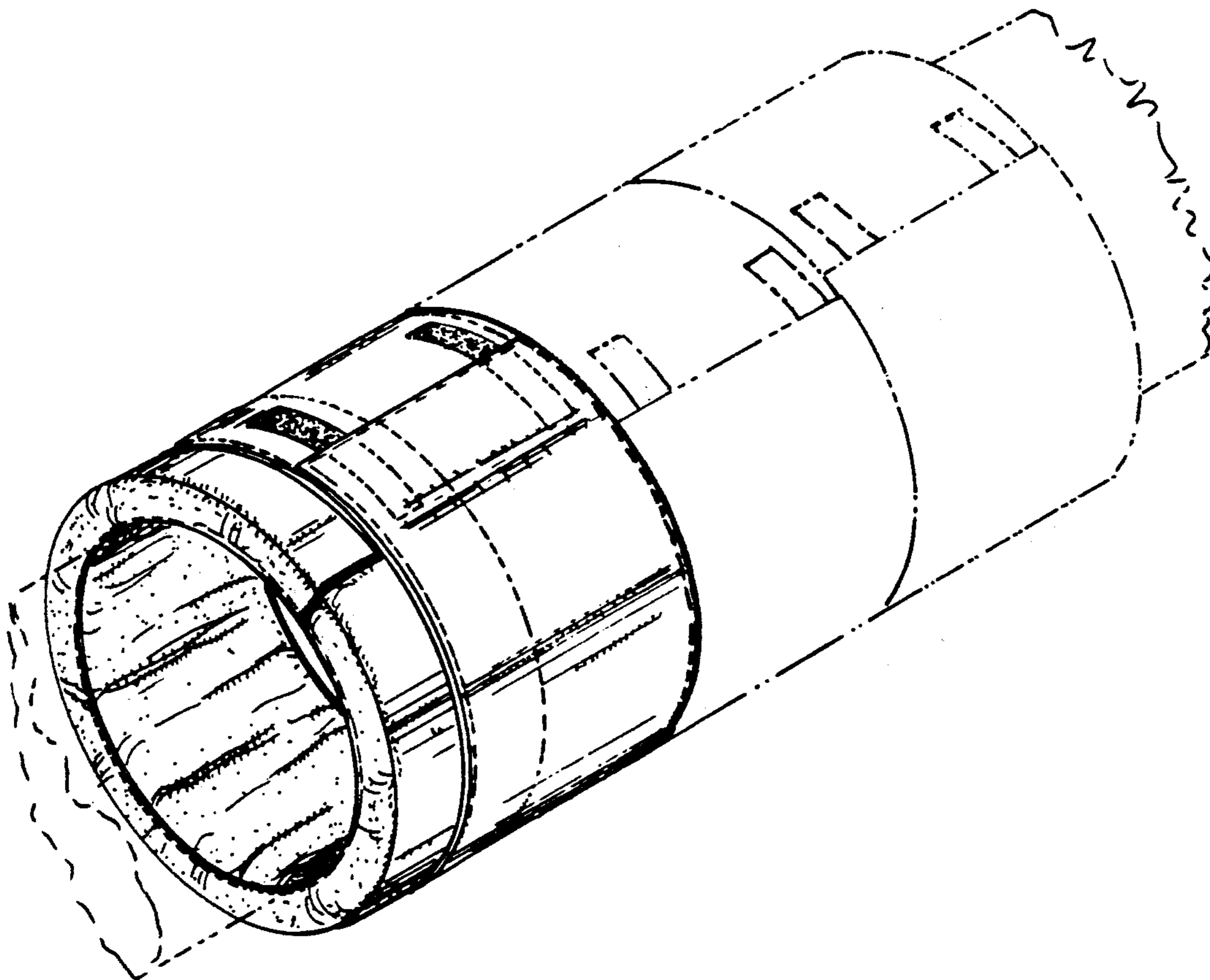
U.S. PATENT DOCUMENTS

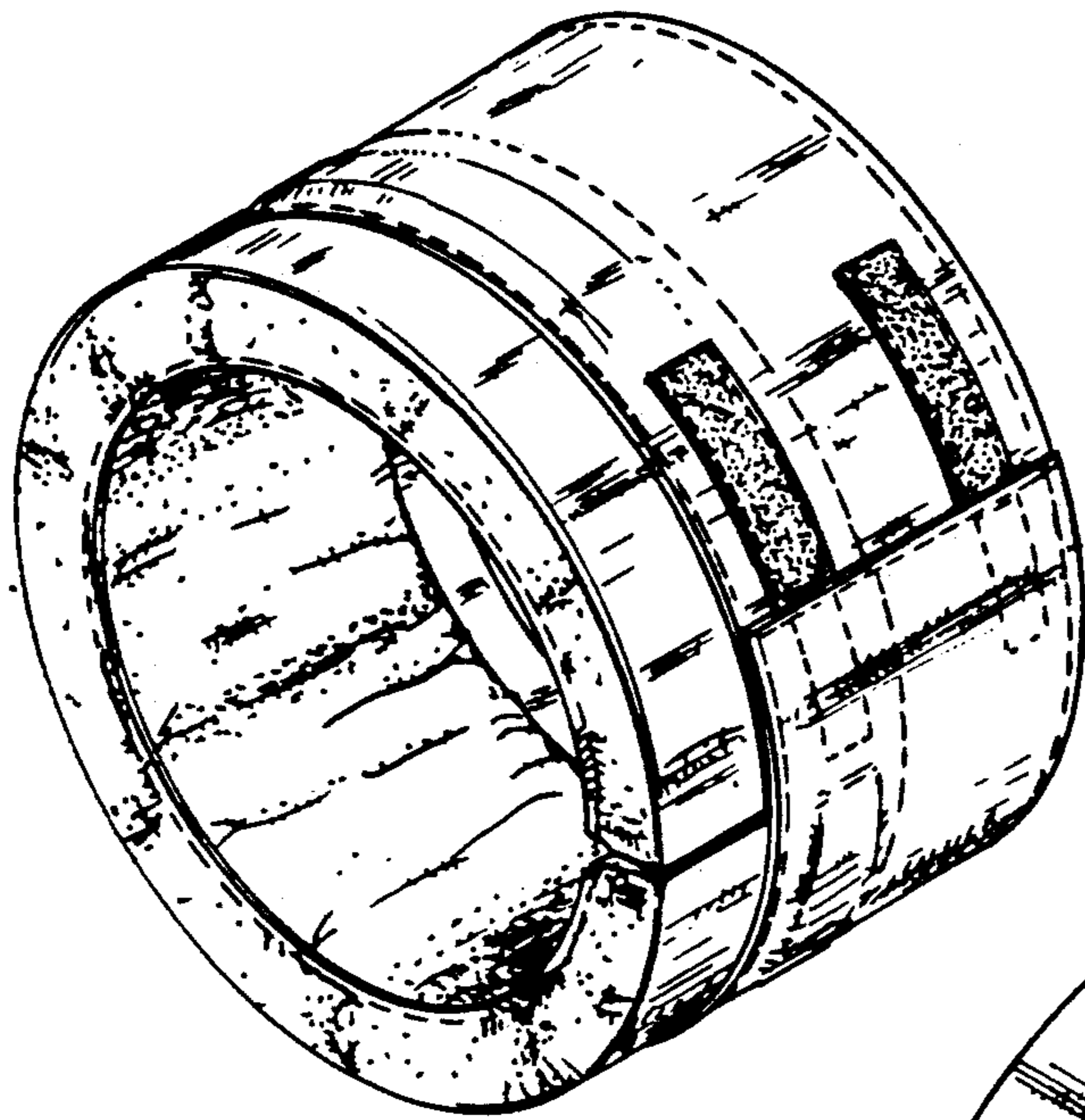
D. 259,658	6/1981	Bunting	D23/386
D. 264,120	4/1982	Kapakawa	D23/386
D. 312,499	11/1990	Karakawa	D23/386
4,112,967	9/1978	Withem	137/375
4,207,918	6/1980	Burns et al.	137/375
4,696,324	9/1987	Petronko	137/375
4,989,418	2/1991	Hewlett	D7/605
5,006,185	4/1991	Anthony et al.	285/47

FOREIGN PATENT DOCUMENTS

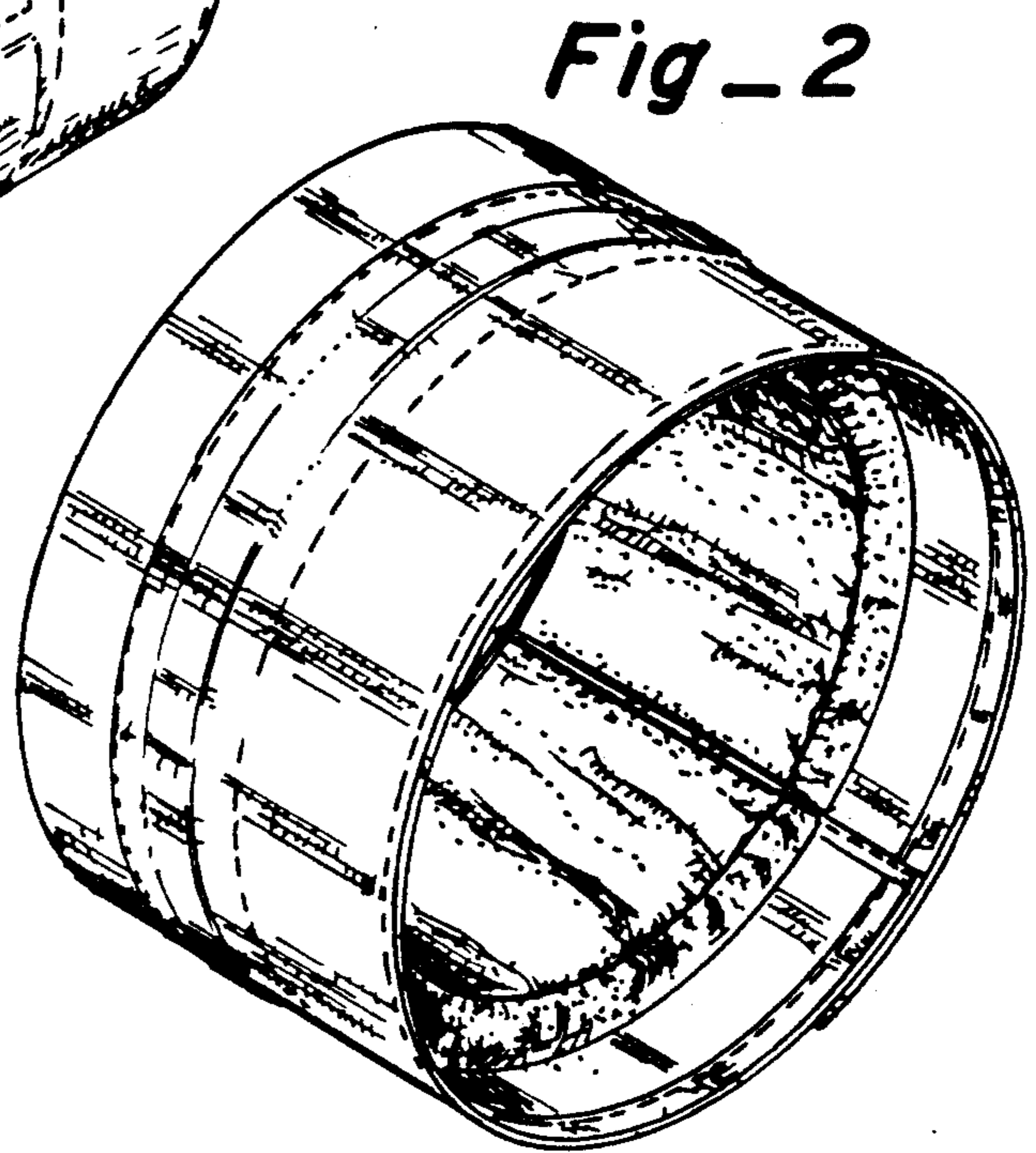
218843	2/1985	Fed. Rep. of Germany	137/375
--------	--------	----------------------------	---------

FIG. 1 is a perspective view of an end cover for a custom fit insulation jacket of this invention;
 FIG. 2 is a perspective view similar to FIG. 1 taken from an opposite direction;
 FIG. 3 is a side elevational view thereof;
 FIG. 4 is a side elevational view similar to FIG. 3 except rotated 90 degrees and illustrating an opposite side thereof;
 FIG. 5 is a front elevational view thereof;
 FIG. 6 is a rear elevational view thereof; and,
 FIG. 7 is a perspective view of an end cover for a custom fit insulation blanket on a reduced scale, shown in use, the broken line showing of environmental structure is for illustrative purposes only and forms no part of the claimed design.
 The dotted lines shown in FIGS. 1-5 and 7 represent stitching.

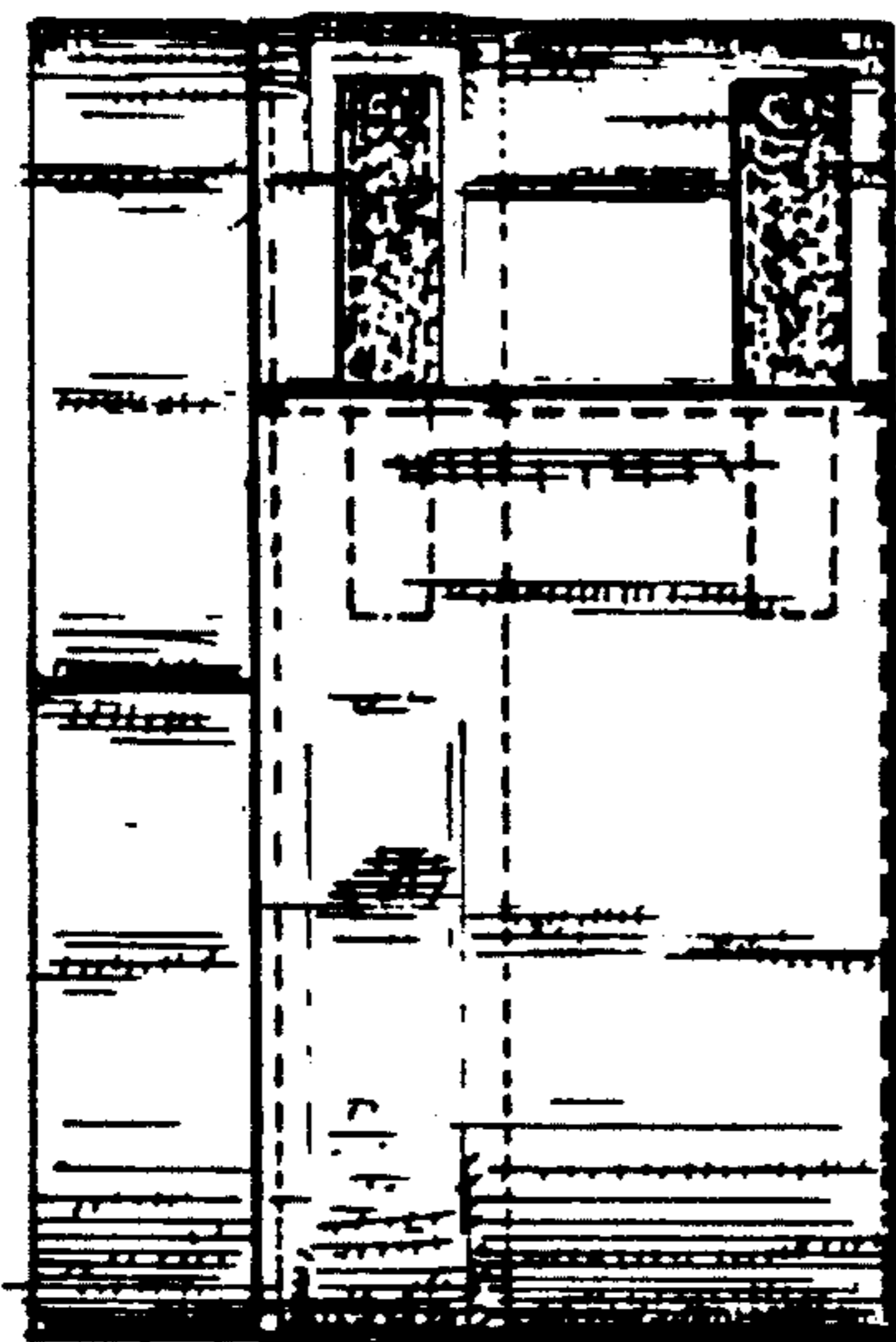




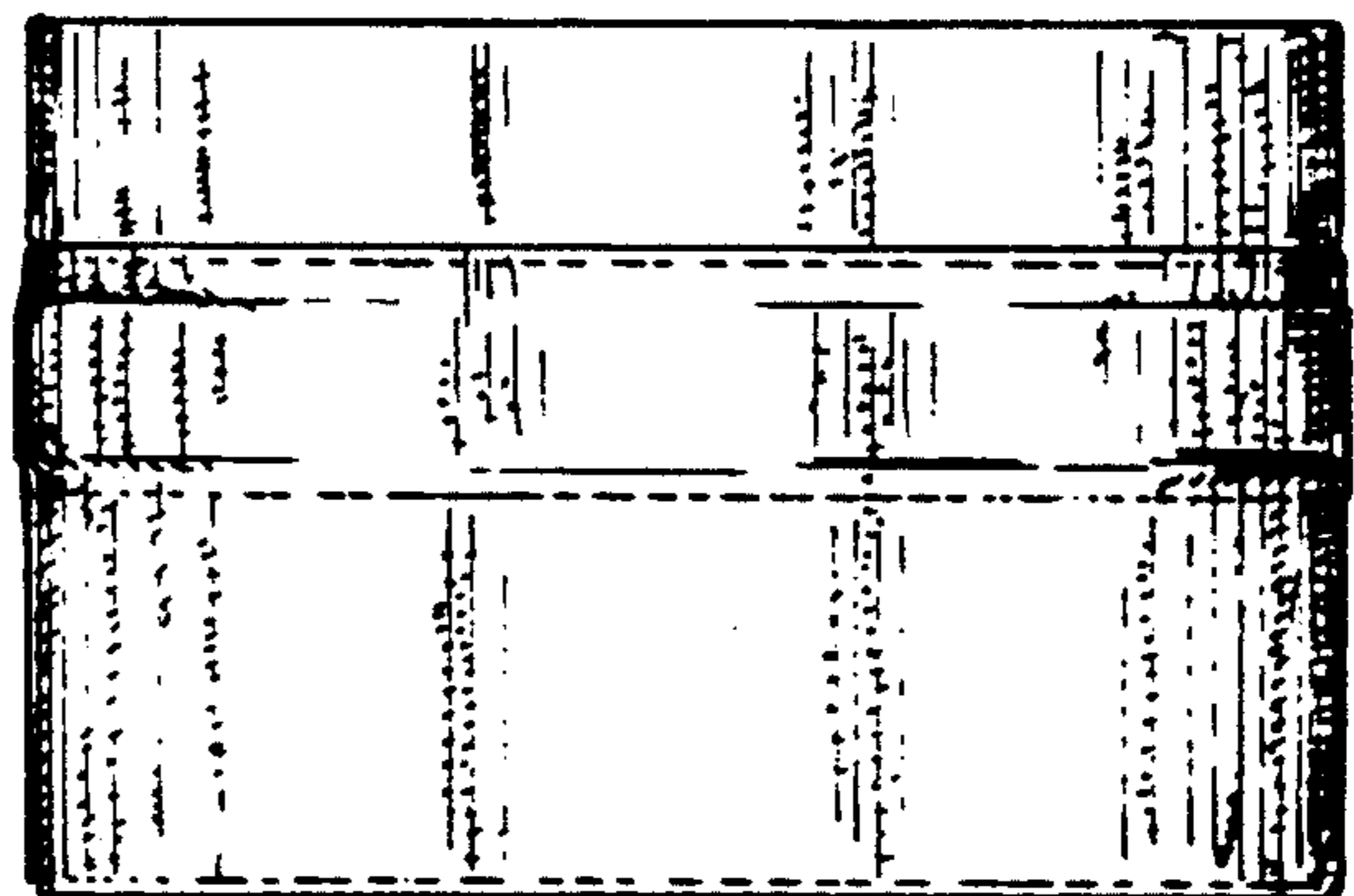
Fig_1



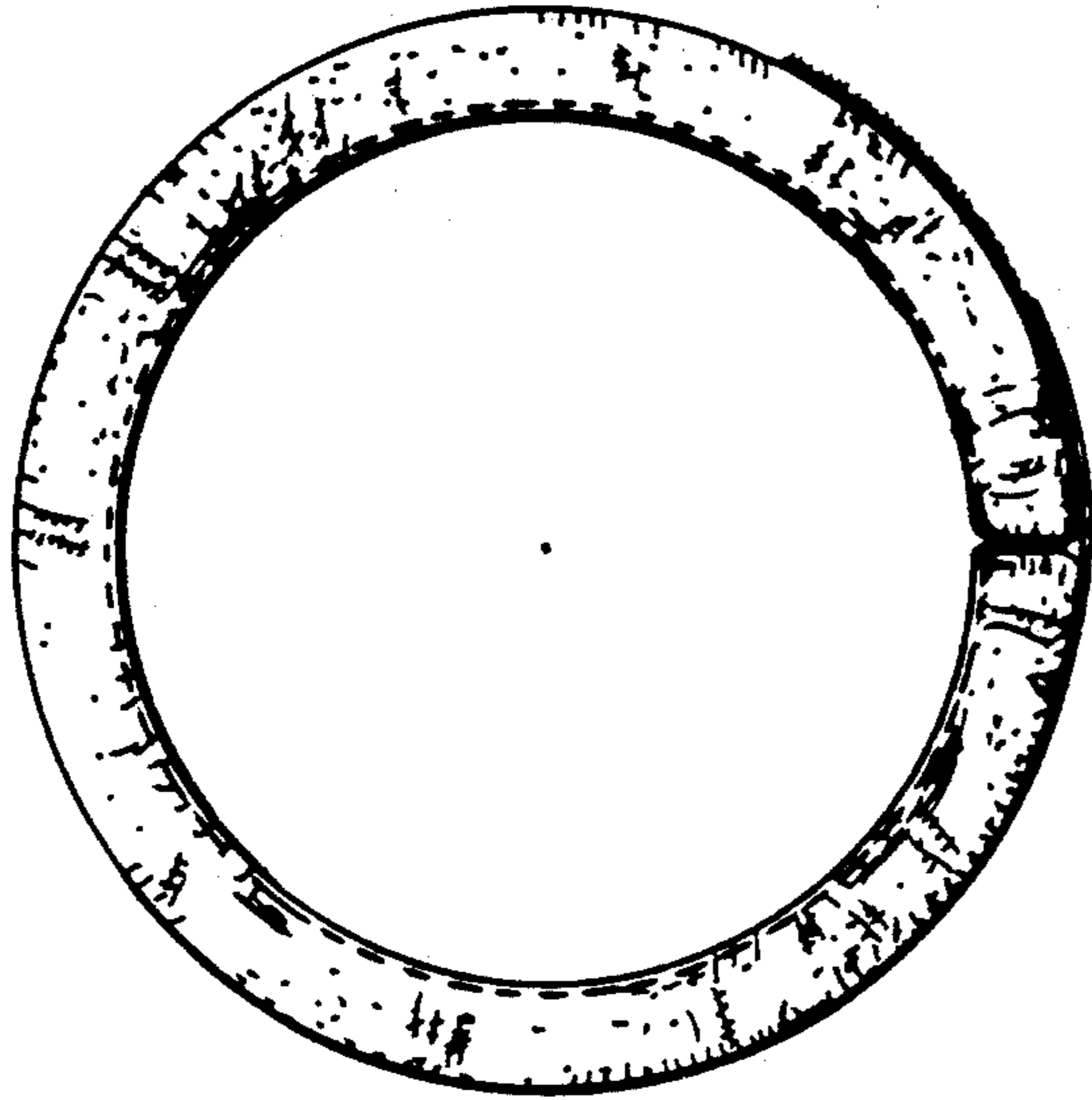
Fig_2



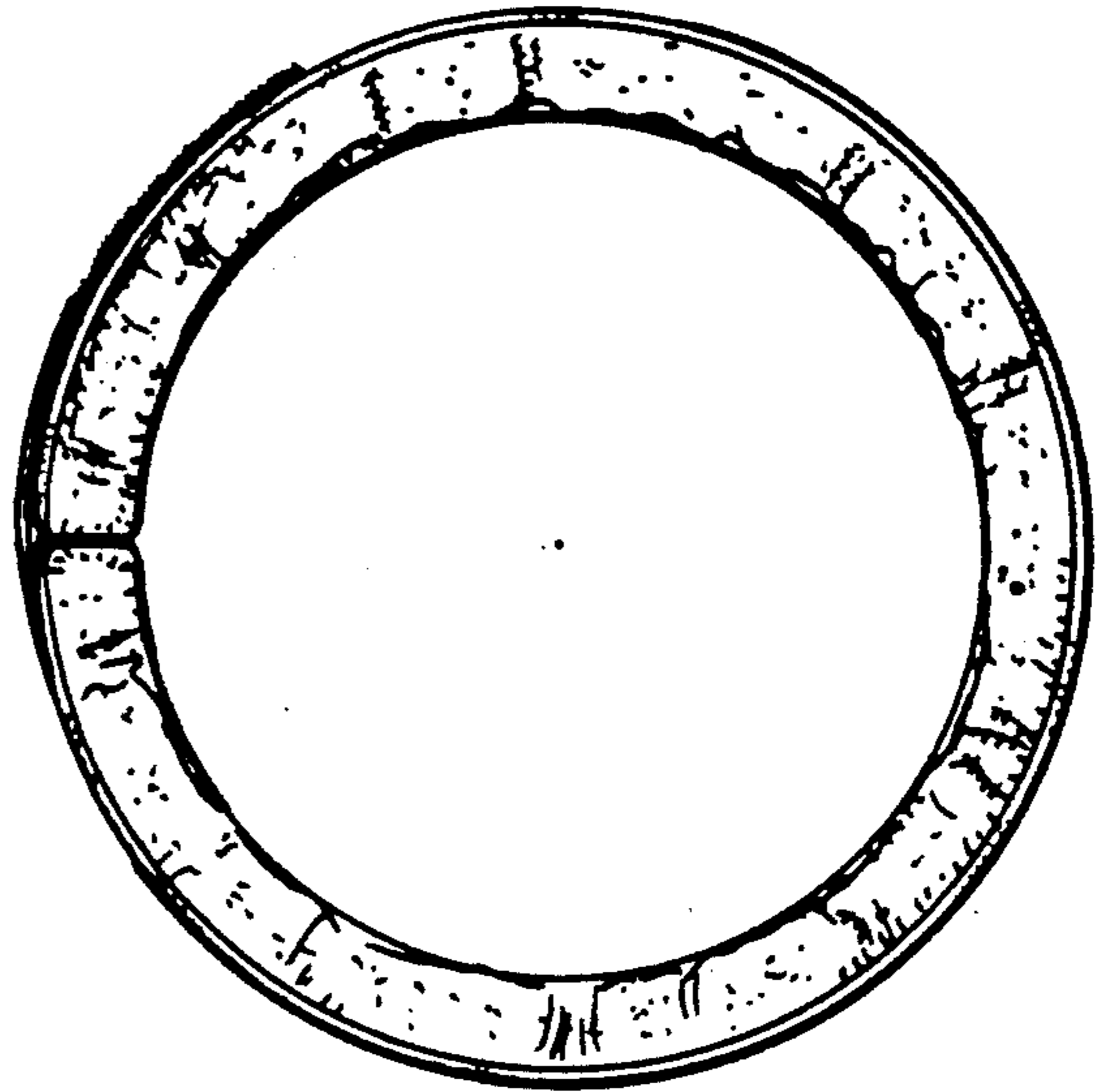
Fig_3



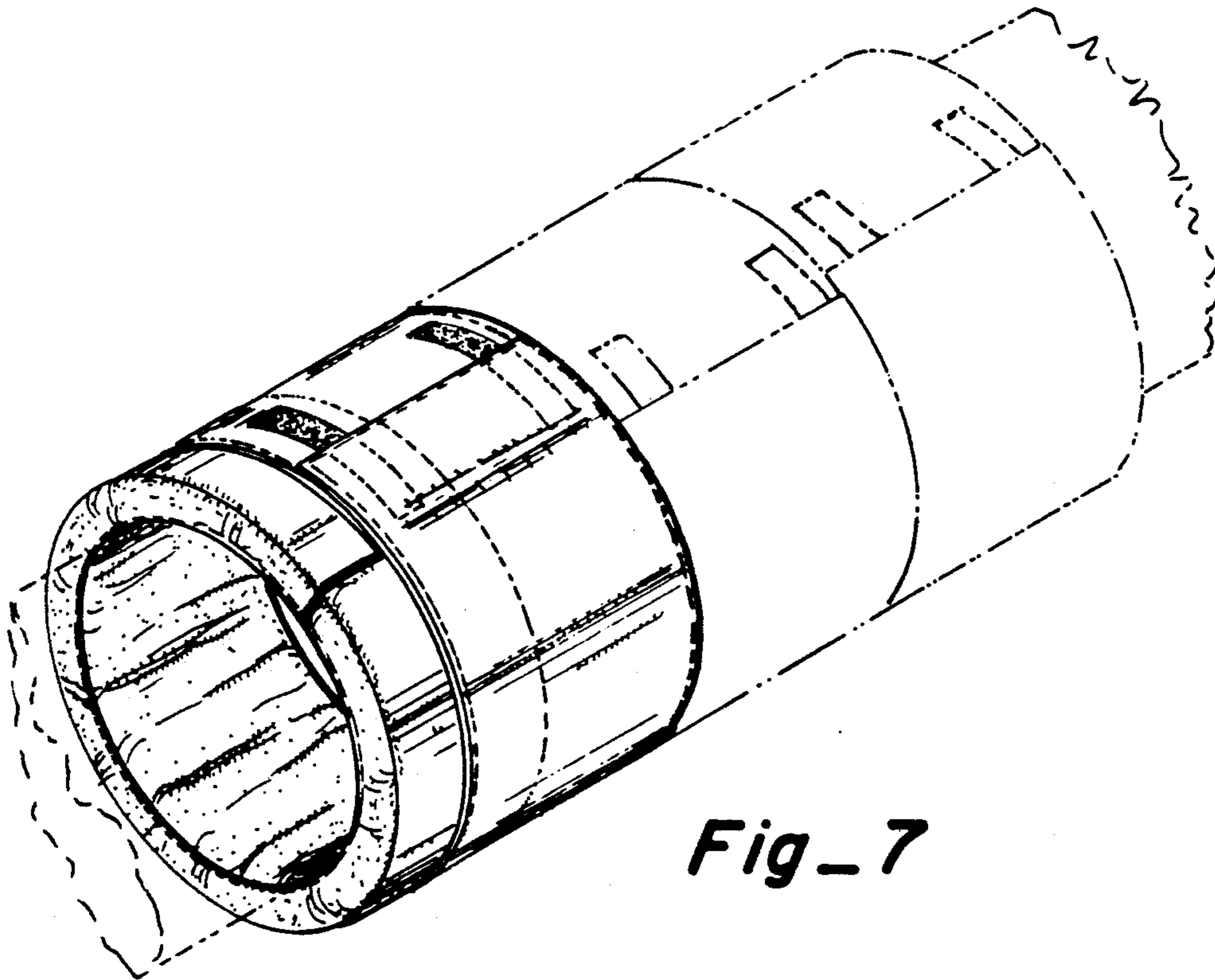
Fig_4



Fig_5



Fig_6



Fig_7