



US00D336127S

# United States Patent [19] Slaybaugh

[11] Patent Number: **Des. 336,127**

[45] Date of Patent: **\*\* Jun. 1, 1993**

[54] **SPRAYER FOR KILLING WEEDS**

4,162,132 7/1979 Kress ..... 172/375  
4,811,870 3/1989 Bianco ..... 222/537 X

[76] Inventor: **Scott M. Slaybaugh**, 1105 Quaker Valley Rd., Biglerville, Pa. 17307

*Primary Examiner*—Wallace R. Burke  
*Assistant Examiner*—H. Baynham  
*Attorney, Agent, or Firm*—Terry M. Gernstein

[\*\*] Term: **14 Years**

[21] Appl. No.: **731,906**

[57] **CLAIM**

[22] Filed: **Jul. 18, 1991**

The ornamental design for a sprayer for killing weeds, as shown and described.

[52] U.S. Cl. .... **D23/225; D8/1**

[58] Field of Search ..... **D8/1; D23/225; 239/225, 239/301, 332, 415, 526, 157, 333, 304; 222/537**

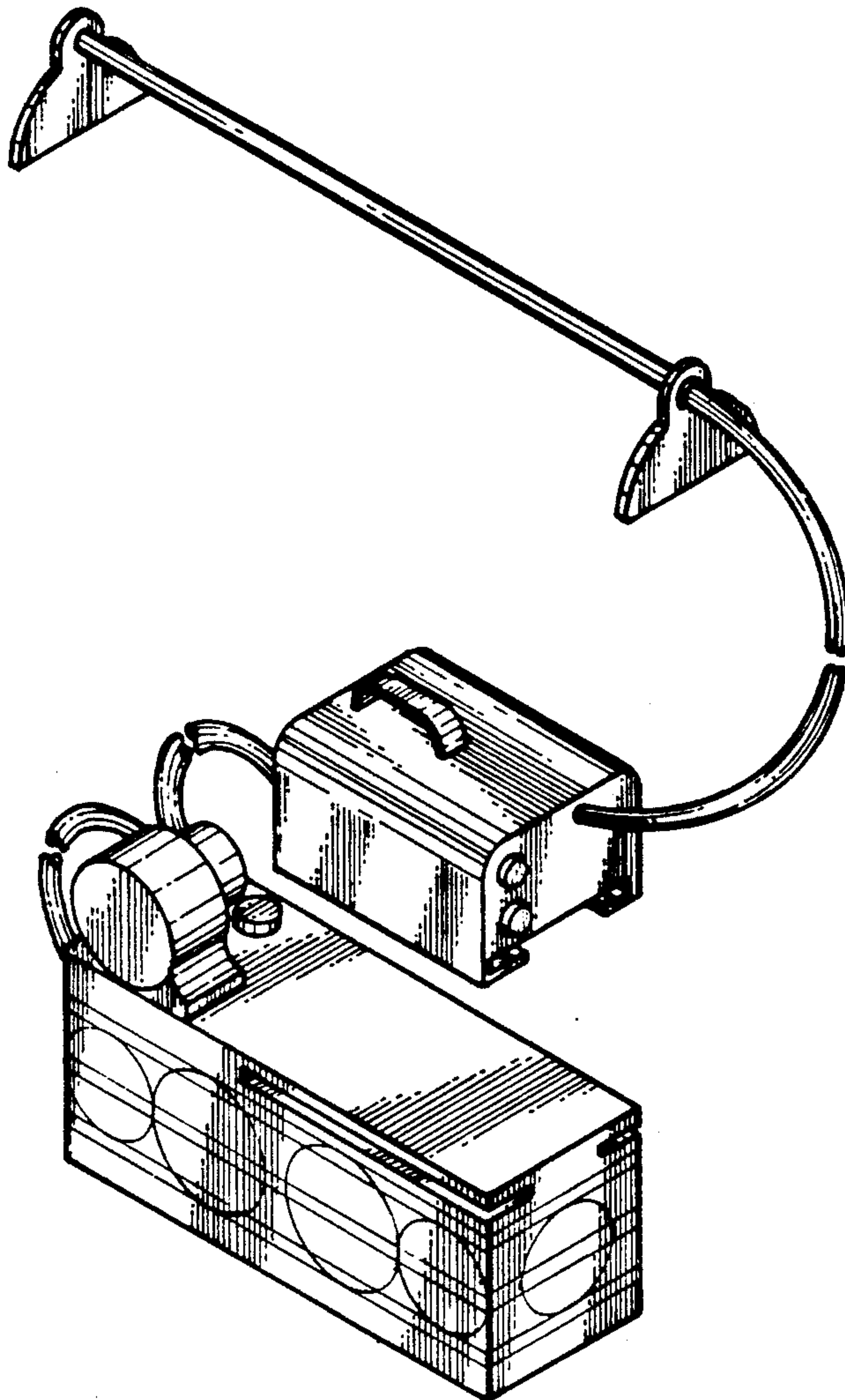
**DESCRIPTION**

[56] **References Cited**

**U.S. PATENT DOCUMENTS**

D. 236,893	9/1975	Beichle .....	D23/225
D. 276,455	11/1984	Yoshizawa .....	D23/225
D. 295,442	4/1988	Witte .....	D23/225
D. 307,628	5/1990	Ballu .....	D23/225
D. 314,420	2/1991	Tomatsa .....	D23/225
3,009,647	11/1961	Hait .....	D23/214
3,144,211	8/1964	Goldman .....	D23/214

FIG. 1 is a perspective view of the sprayer for killing weeds embodying the design of the present invention; FIG. 2 is a front elevational view thereof; FIG. 3 is a rear elevational view thereof; FIG. 4 is a side elevational view thereof; FIG. 5 is a side elevational view thereof; FIG. 6 is a top plan view thereof; and, FIG. 7 is a bottom view thereof. The tubing is shown broken away to indicate indeterminate length.



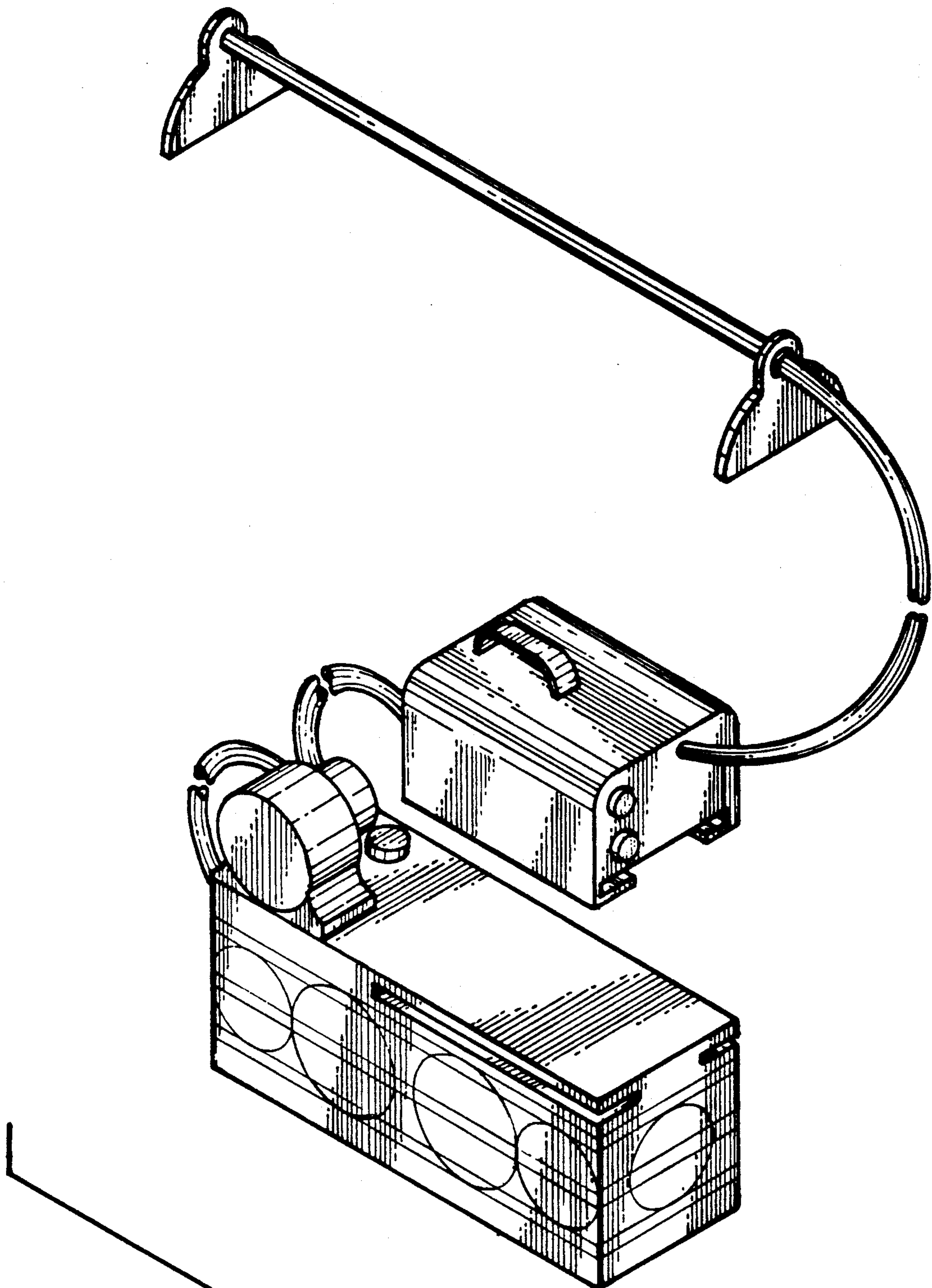


FIG. 1

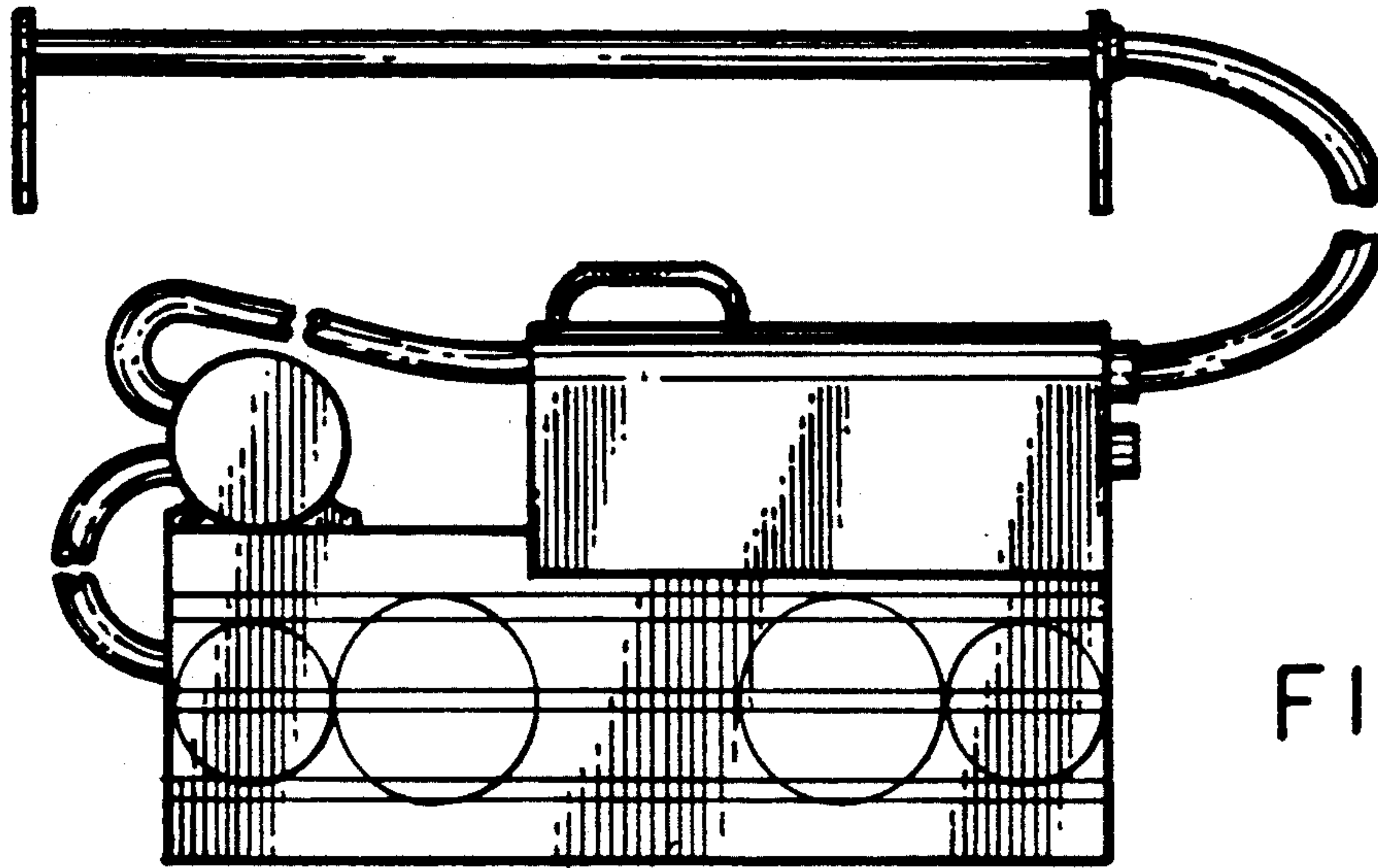


FIG. 2

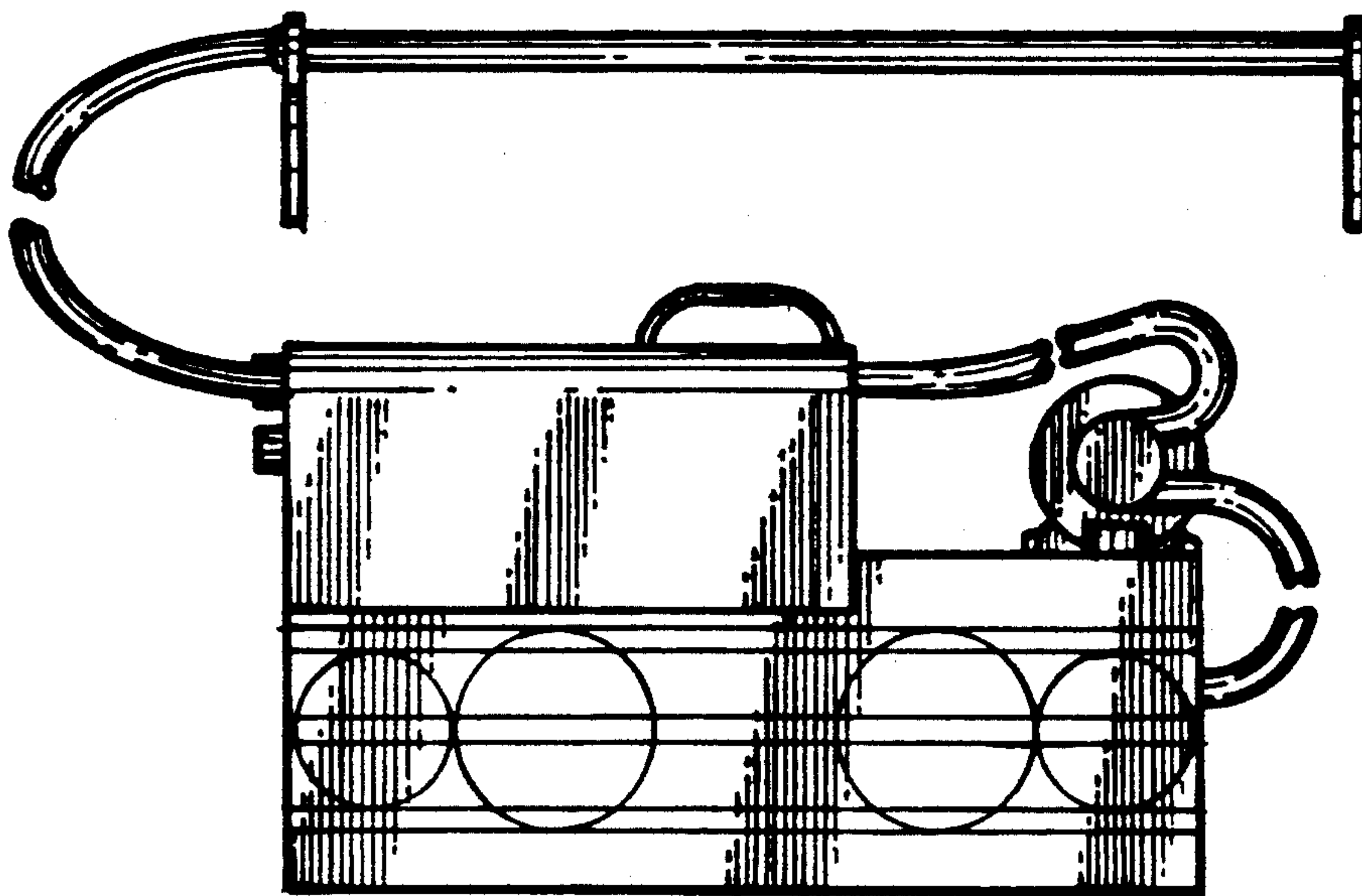


FIG. 3

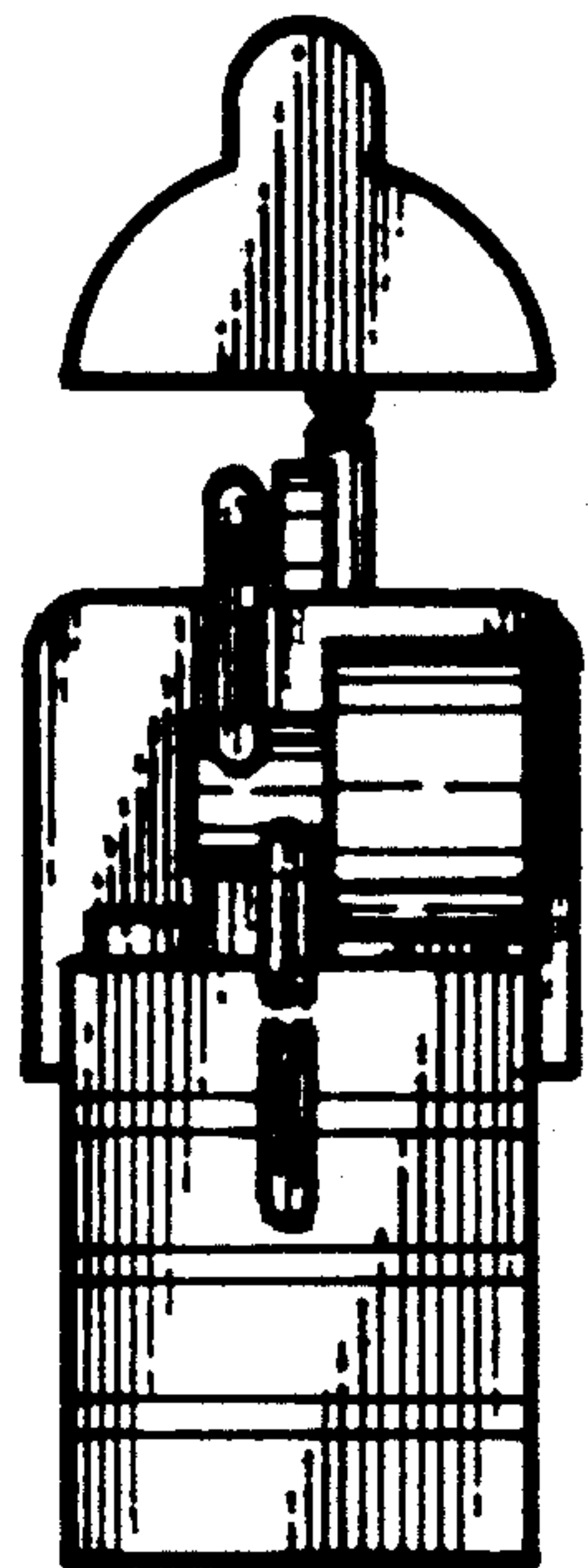


FIG. 4

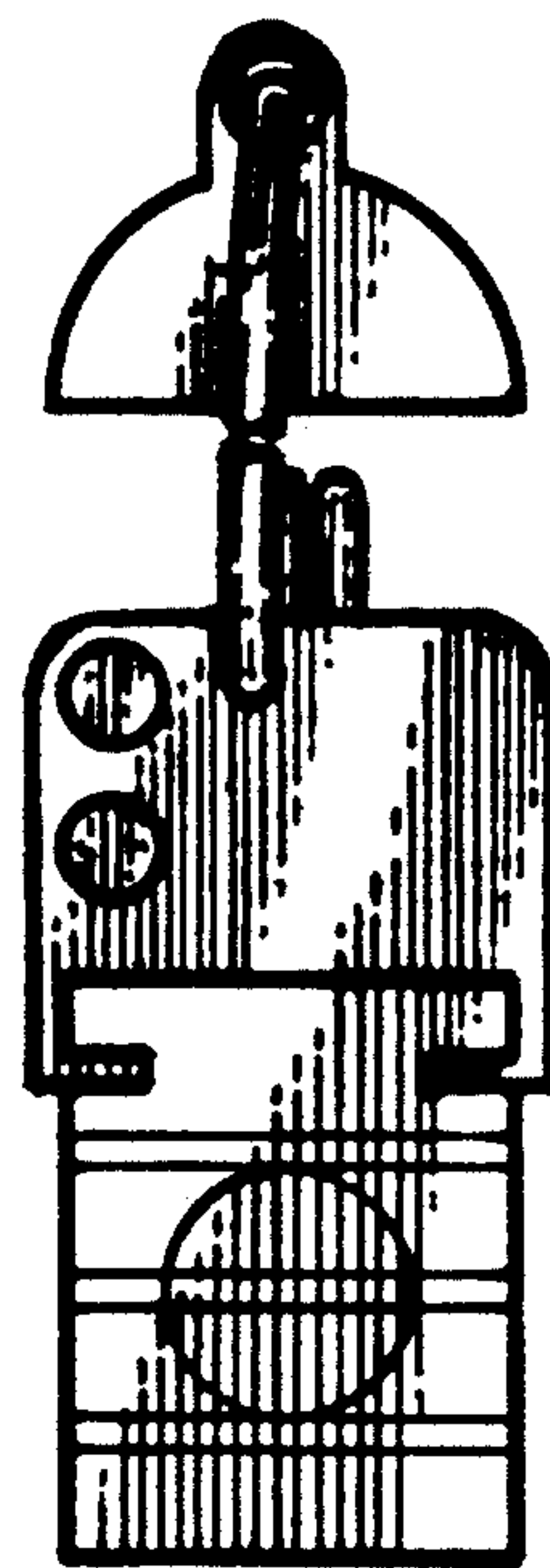


FIG. 5



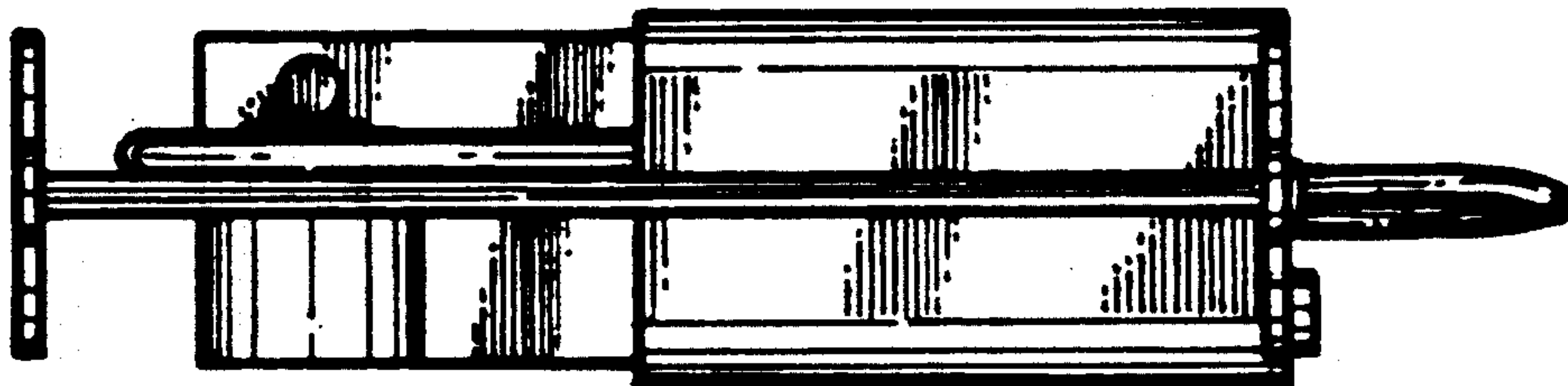


FIG. 6

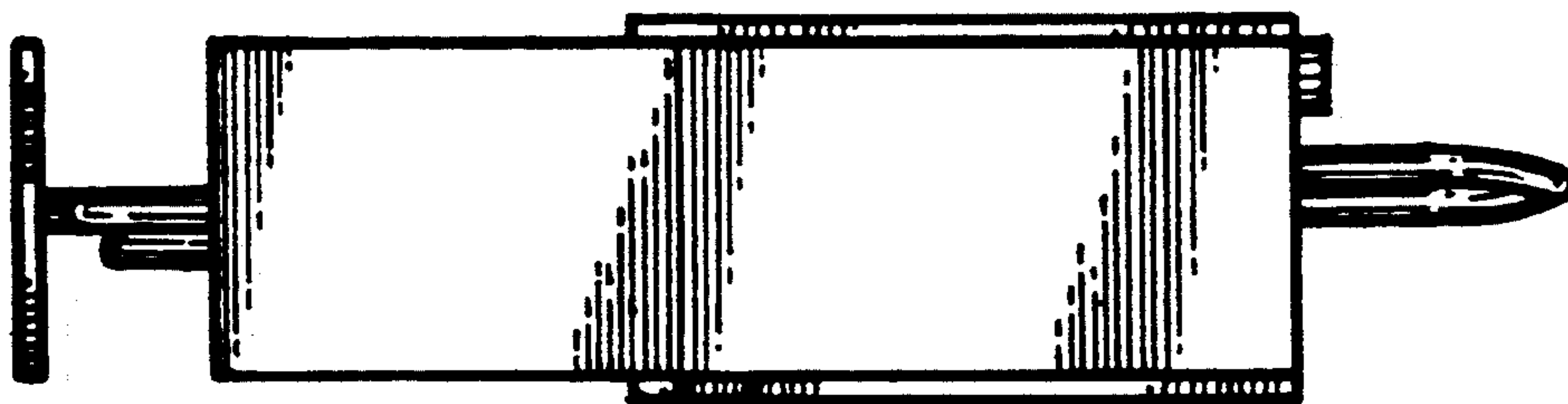


FIG. 7